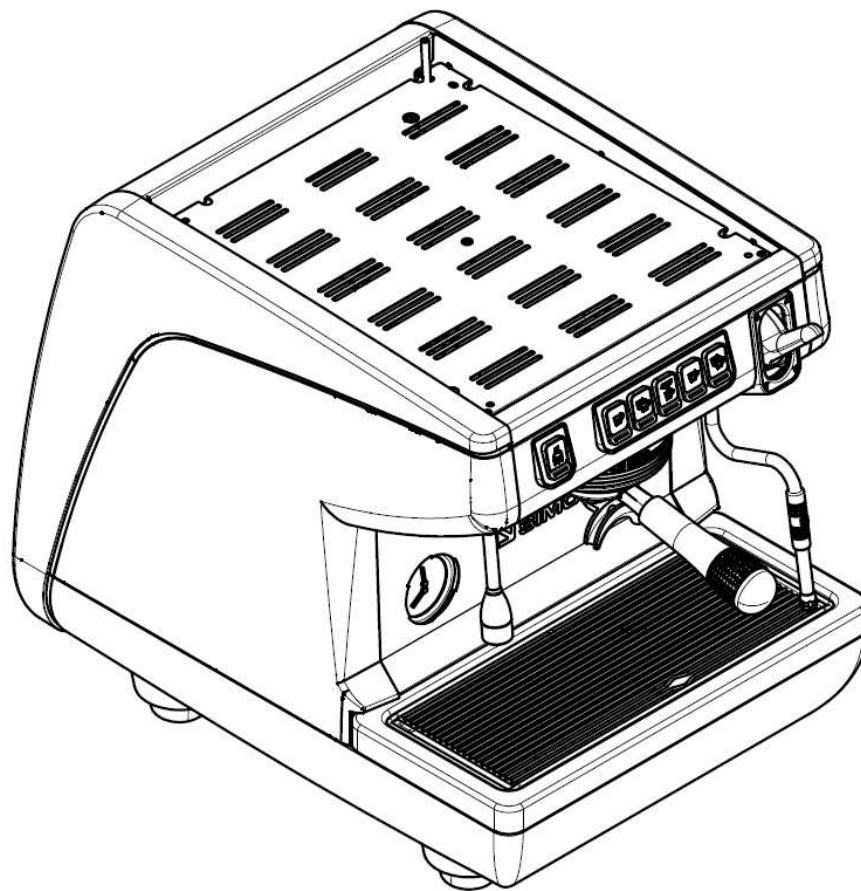


SPARE PARTS BOOK

APPRIA
Life.



1 GROUP

20/03/2023

- T.01 **CABINET PARTS**
COMPONENTI GRUPPO CARENA
- T.02 **CONTROL PANEL ASSEMBLY**
ASSIEME PULSANTIERA
- T.03 **POURING UNIT GROUP PARTS**
COMPONENTI GRUPPO EROGAZIONE
- T.04 **HYDRAULIC PARTS**
COMPONENTI IDRAULICI
- T.05 **STEAM TAPS AND HOT WATER PARTS**
PARTI RUB. VAPORE E ACQUA CALDA
- T.06 **EASY CREAM PARTS**
COMPONENTI EASY CREAM
- T.07 **HYDRAULIC GROUP PARTS**
COMPONENTI GRUPPO IDRAULICO
- T.08 **BOILER GROUP PARTS**
COMPONENTI GRUPPO CALDAIA
- T.09 **FRAME PARTS**
COMPONENTI TELAIO
- T.10 **ELECTRONIC & ELECTRICAL PARTS**
COMP. ELETTRICI ED ELETTRONICI

» LEGEND :

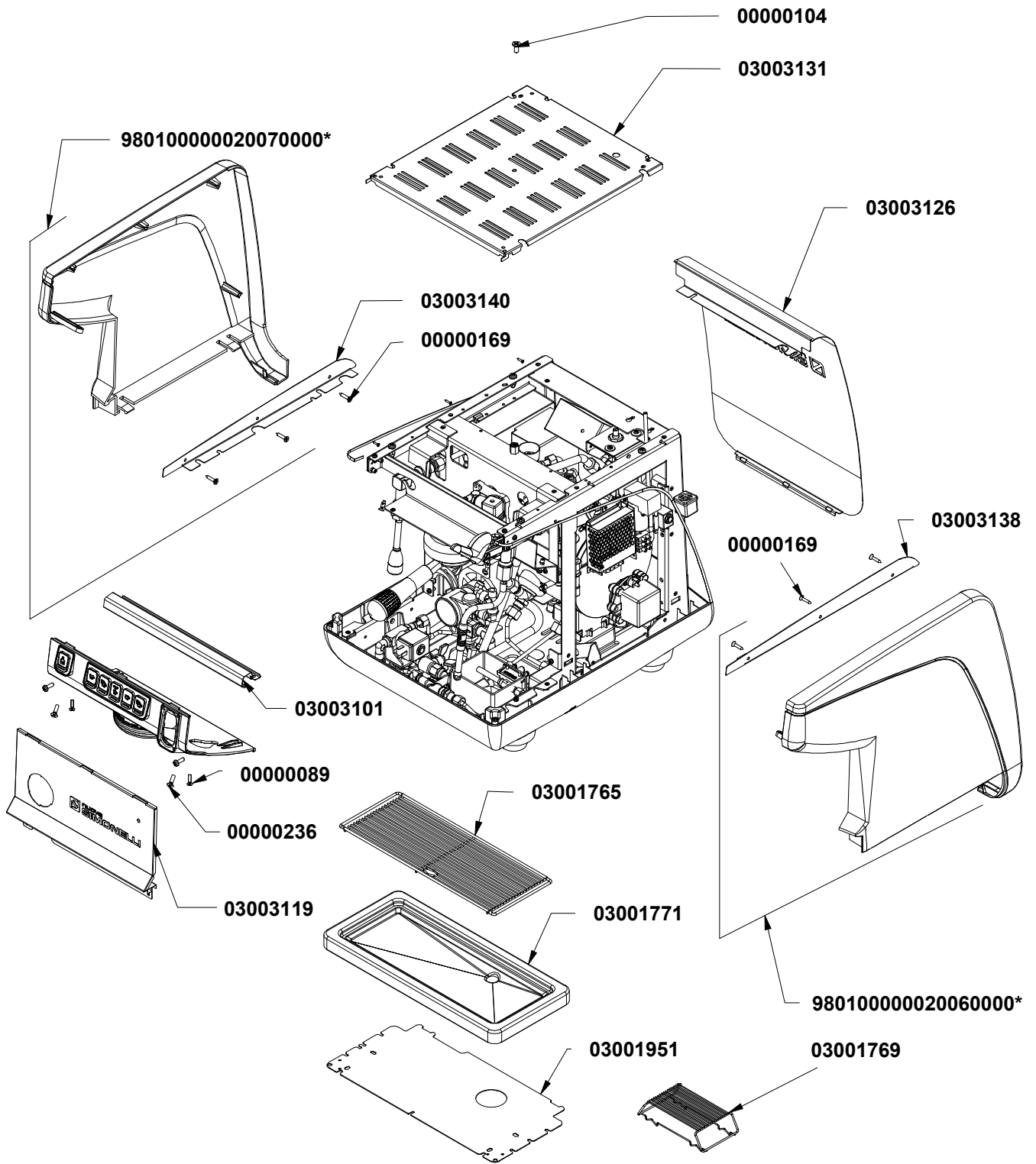
THE CODES WRITTEN IN BOLD REFER TO THE COMPONENTS
EMPLOYED CURRENTLY.

THE CODES USED BEFORE ARE WRITTEN IN CORSIVE WITH INDICATED,
ON THE SIDE, THE END OF VALIDITY DATE.

EXAMPLE:

03001531 - 01/09/2007

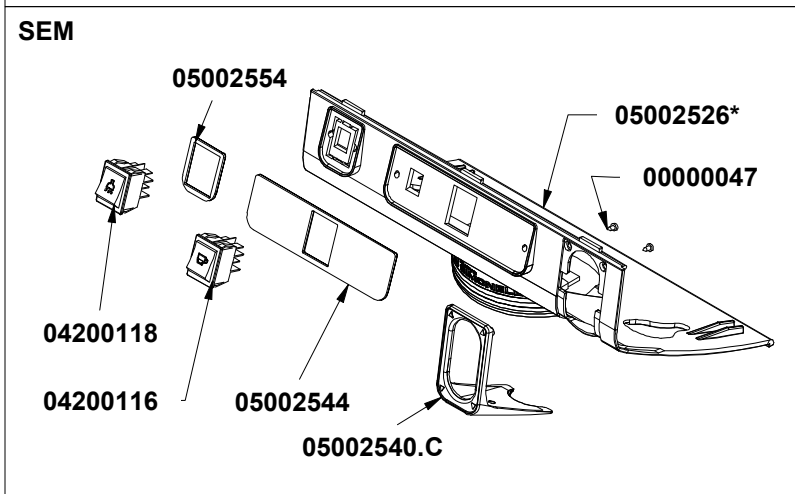
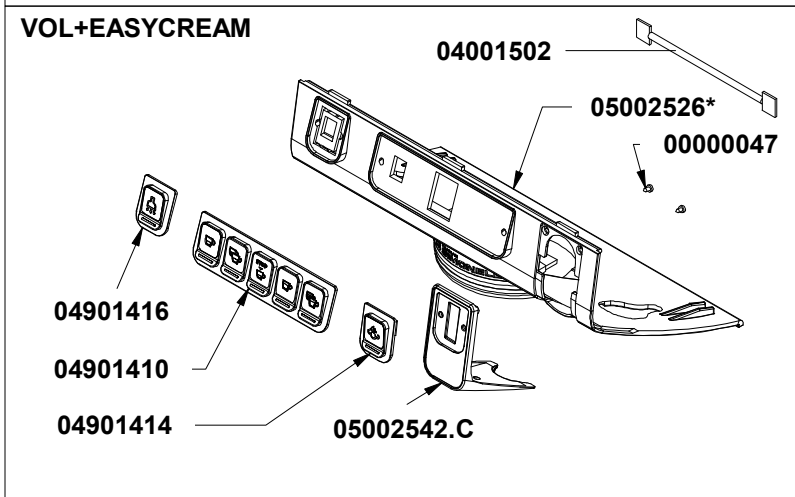
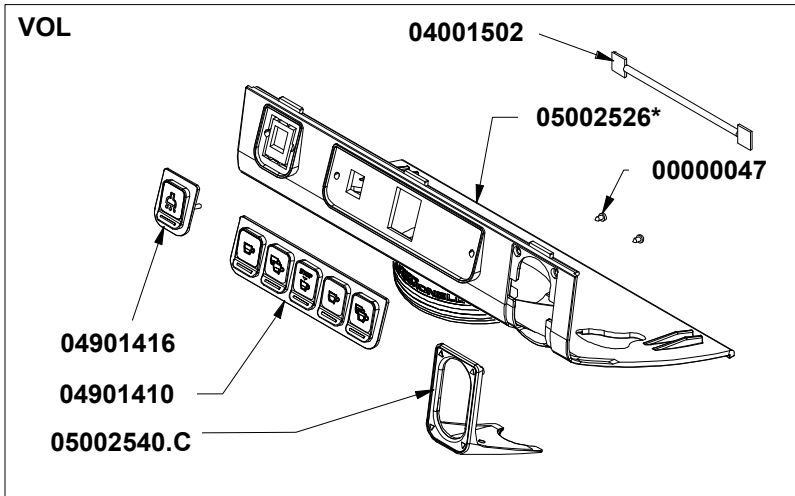
03001531



*Specify color
Specificare colore

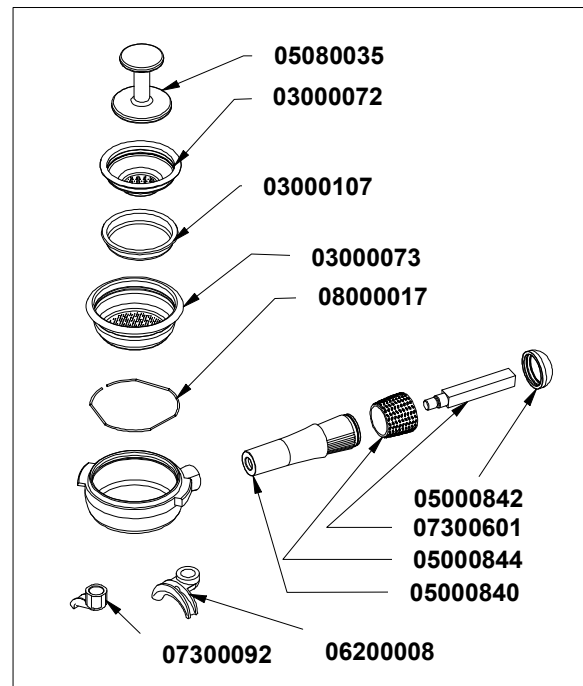
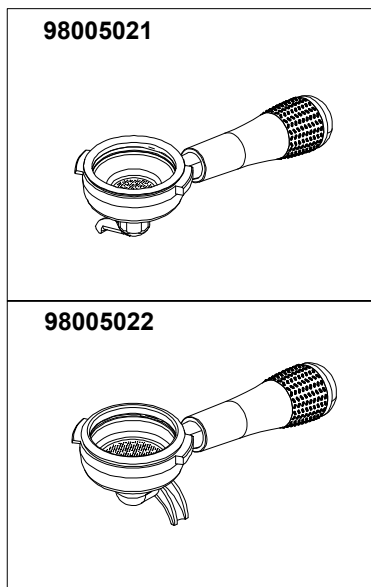
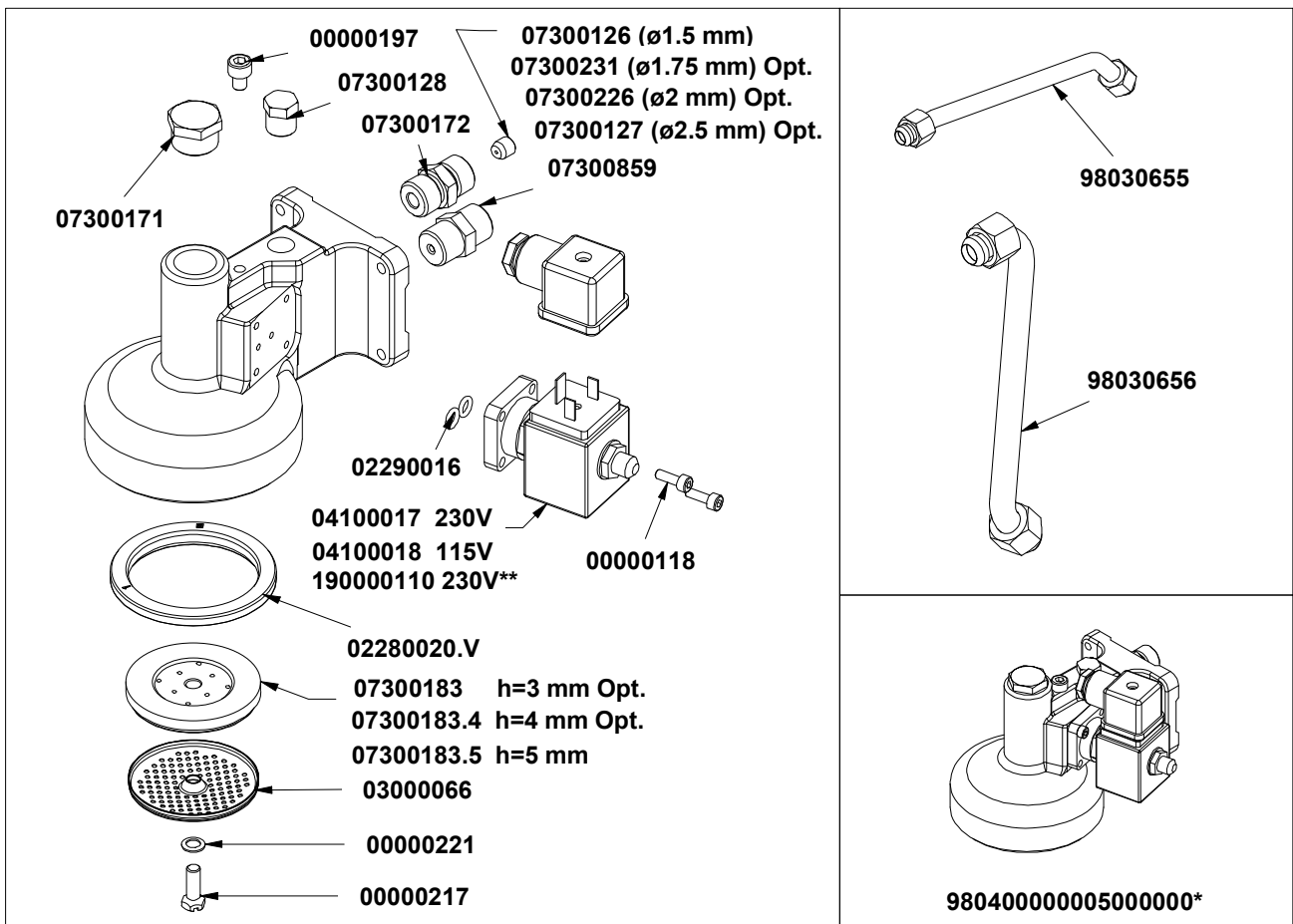
T.01

COD.	DESCRIPTION	DESCRIZIONE	VAL.
00000089	S/S CROSSHEAD CAP SCREW M4x12 DIN7985	VITE INOX M4x12 TC TCR DIN7985	
00000104	S/S CROSSHEAD COUNTERSUNK SCREW M4x10 DIN965	VITE INOX M4x10 TSP TCR DIN965	
00000169	S/S SELF-TAPPING SCREW 2,9x13 TSP/TCR	VITE AUTOF INOX 2,9x13 TSP/TCR	
00000236	S/S SCREW M4X16 TSP TCR	VITE INOX M4x16 TSP TCR	
03001765	WORKTOP NET 1 GR	RETINA PIANO LAVORO 1 GR.	
03001769	S/S RAISED CUP STAND	SUPP. TAZZINE INOX	
R03001769	KIT-S/S RAISED CUP STAND - 1Pcs	KIT-SUPPORTO TAZZINE INOX - 1Pz	
03001771	DRIP TRAY 1 GR	PIATTO RACCOGLIACQUA 1 GR.	
03003101	COMAND BUTTON WRAPPING 1GR	INVOLUCRO COMANDI 1GR APPIA19	
03003119	COMAND BUTTON WRAPPING 3GR APPIA19	PARETE FRONTALE 1GR. APPIA19	
03003126	REAR COVER 1GR	CARENA RETRO 1GR. APPIA19	
03003131	CUPHOLDER PLATE 1GR APPIA19	PIATTO PORTATAZZE 1GR APPIA19	
03003138	RIGHT SIDE SUPERIOR COVER APPIA19	MOSTRINA SUP. FIANCO DX APPIA19	
03003140	LEFT SIDE SUPERIOR COVER APPIA19	MOSTRINA SUP. FIANCO SX APPIA19	
980100000020060001	RIGHT SIDE PANEL SET BLACK	ASS. FIANCO DX NERO	
980100000020060002	RIGHT SIDE PANEL SET WHITE	ASS. FIANCO DX BIANCO	
980100000020060003	RIGHT SIDE PANEL SET RED	ASS. FIANCO DX ROSSO	
980100000020060004	RIGHT SIDE PANEL SET MATT BLACK	ASS. FIANCO DX NERO OPACO	
980100000020070001	LEFT SIDE PANEL SET BLACK	ASS. FIANCO SX NERO	
980100000020070002	LEFT SIDE PANEL SET WHITE	ASS. FIANCO SX BIANCO	
980100000020070003	LEFT SIDE PANEL SET RED	ASS. FIANCO SX ROSSO	
980100000020070004	LEFT SIDE PANEL SET MATT BLACK	ASS. FIANCO SX NERO OPACO	



* Specify color
Specificare colore

COD.	DESCRIPTION	DESCRIZIONE	VAL.
00000047	CROSS HEAD/CAP SELF-TAPPING SCREW 2,9x6,5	VITE AUTOF 2,9x6,5 TC/T.CR.	
04001502	CONNECTION CABLE REMOTE KEY - KEYBOARD APPIA19	CAVO COLL. TASTO REMOTO - PULSANTIERA APPIA19	
04200116	BLUE LIGHT WHITE BIPOLAR SWITCH UL 16A COFFEE	INTERRUTTORE BIPOLARE LUMINOSO BIANCO RETTANG.	
04200118	BLUE LIGHT WHITE BIPOLAR SWITCH UL 16A HOTWATER	INTERRUTTORE BIPOLARE LUMINOSO BIANCO RETTANG.	
04901410	5KEY DISPENSING KEYPAD APPIA19 V	SCHEDA EROG. 5 TASTI APPIA19 V	
R04901410	KIT-5KEY DISPENSING KEYPAD APPIA19 V-1Pcs	KIT -SCHEDA EROG. 5 TASTI APPIA19 V-1PZ	
04901414	STEAM DISPENSING KEY APPIA19 V	SCHEDA EROGAZ. 1 TASTO VAPORE APPIA19 V	
R04901414	KIT-STEAM DISPENSING KEY APPIA19 V-1Pcs	KIT -SCHEDA EROGAZ. 1 TASTO VAPORE APPIA19 V-1PZ	
04901416	WATER DISPENSING KEY APPIA19 V	SCHEDA EROGAZ. 1 TASTO ACQUA APPIA19 V	
05002526.BV	GROUPCOVER KEYPAD 1GR APPIA19 - PAINTED WHITE	PULSANTIERA COPRIGRUPPO 1GR. APPIA19 BIANCO VER	
05002526.GV	GROUPCOVER KEYPAD 1 GR. STEEL GREY	PULSANTIERA COPRIGRUPPO 1GR. APPIA19 GRIGIO STEE	
05002526.N	GROUPCOVER KEYPAD 1GR APPIA19 - BLACK	PULSANTIERA COPRIGRUPPO 1GR. APPIA19 NERO	
05002526.NOV	GROUPCOVER KEYPAD 1GR APPIA19 - PAINTED MATTE I	PULSANTIERA COPRIGRUPPO 1GR. APPIA19 NERO OPACI	
05002526.RV	GROUPCOVER KEYPAD 1GR APPIA19 - PAINTED RED	PULSANTIERA COPRIGRUPPO 1GR. APPIA19 ROSSO VERI	
05002540.C	APPIA19 STEAM KNOB CHROME PLATED COVER	MOSTRINA MANOPOLA VAPORE APPIA19 CROMATA	
05002542.C	APPIA19 EASYCREAM CHROME PLATED COVER	MOSTRINA PULSANTE EASY CREAM APPIA19 CROMATA	
05002544	DISPENSING KEY COVER APPIA19S	MOSTRINA TASTO EROG. APPIA19 S	
05002554	KEYS NET APPIA19 S 1GR. - COMPACT	MOSTRINA TASTI APPIA19 S 1GR - COMPACT	

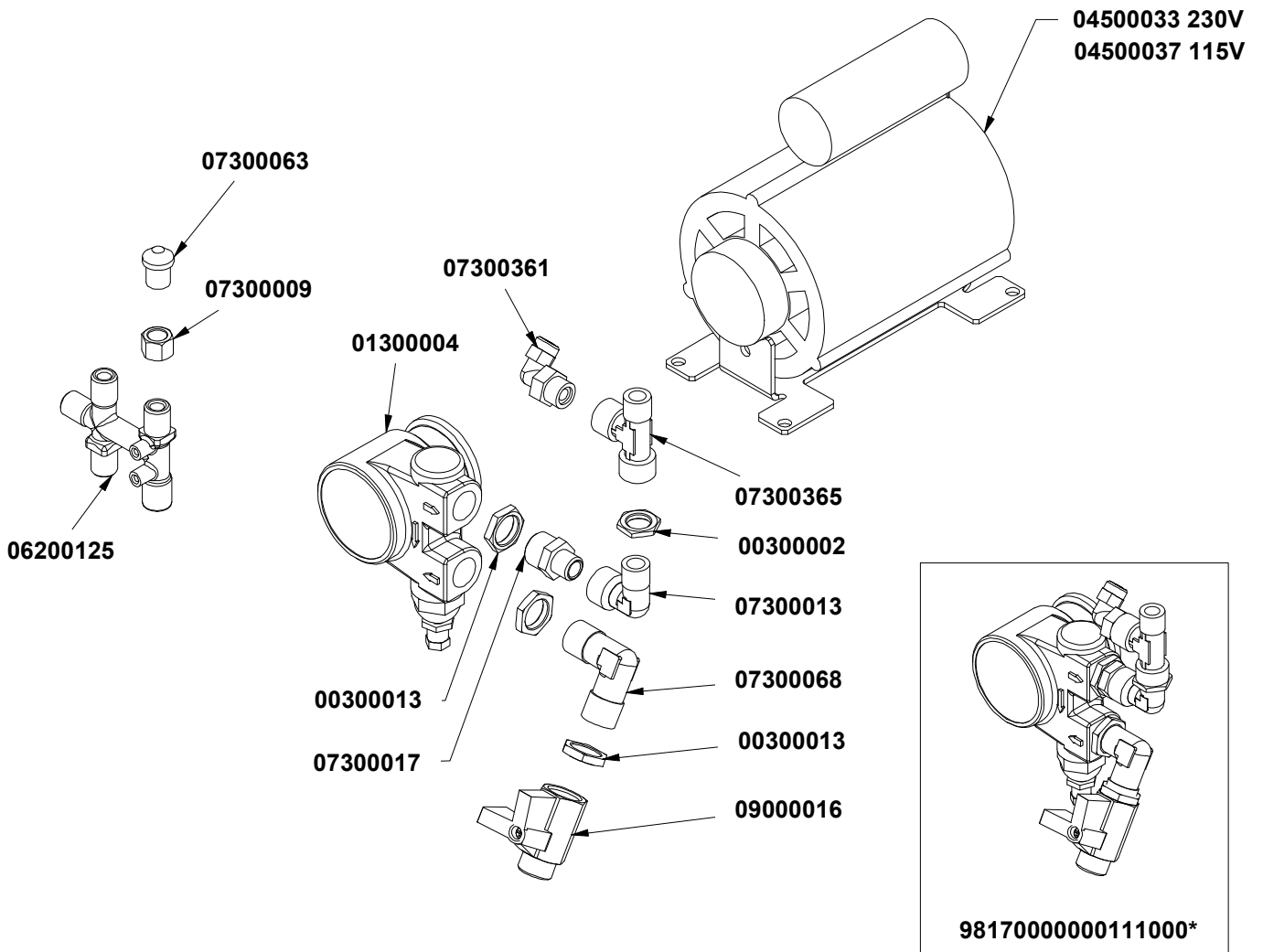
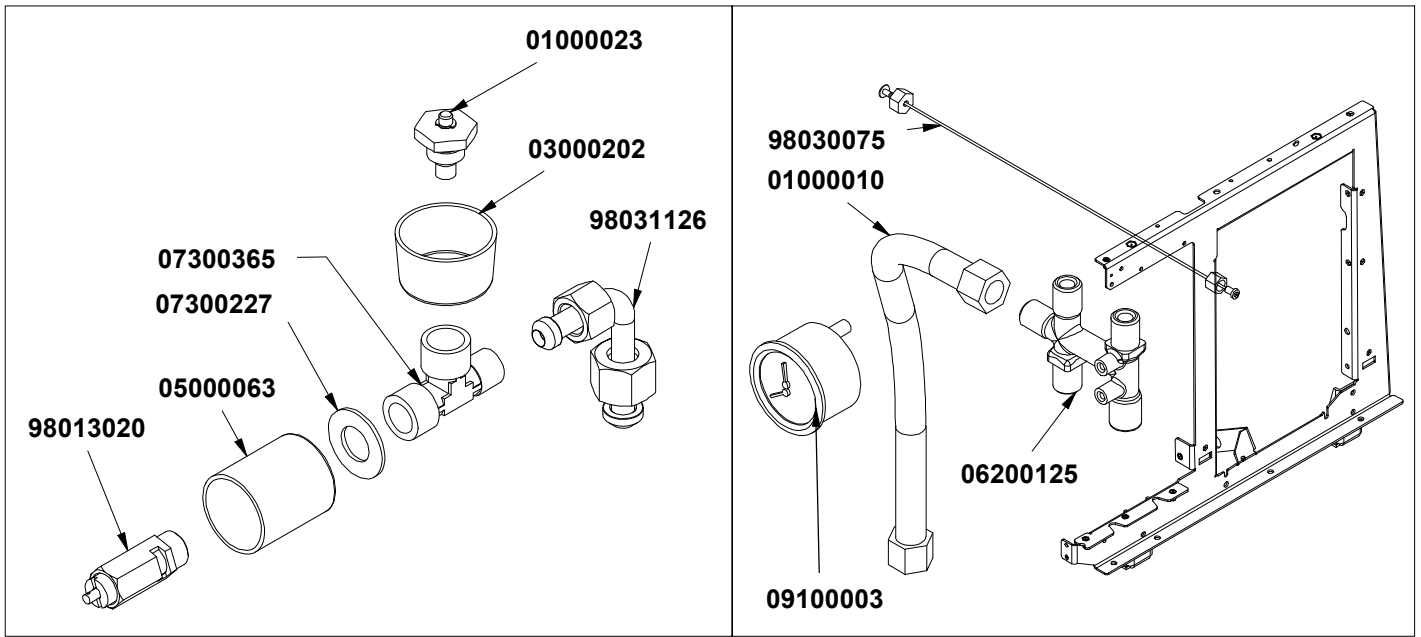


* Specify version
Specificare versione

** North America Market
Mercato Nord America

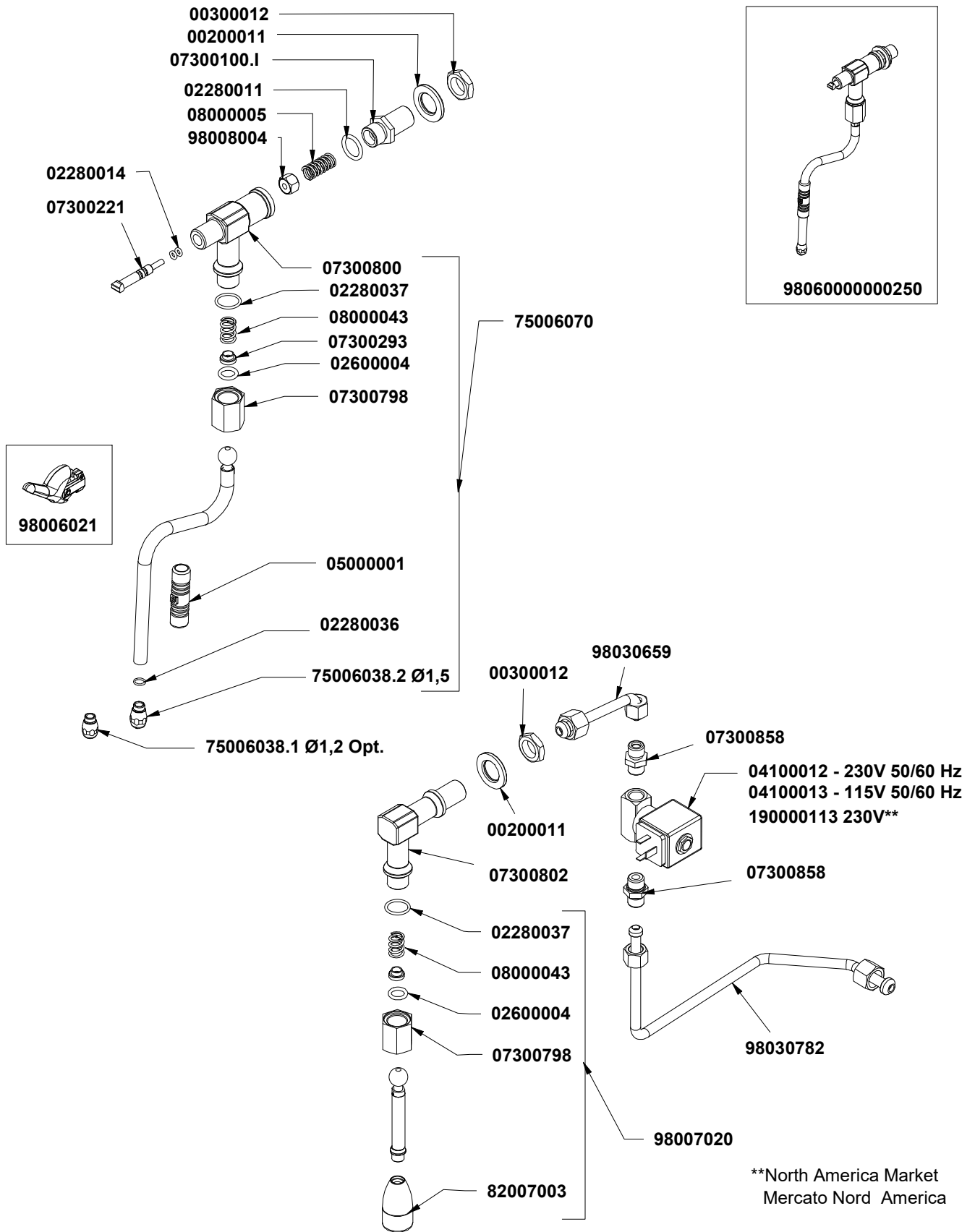
COD.	DESCRIPTION	DESCRIZIONE	VAL.
00000118	S/SHEX SOCKET CAP SCREW M4x12 5931	VITE INOX M4x12 TCEI 5931	
00000197	S/S HEX SOCKET CAP SCREW M6x8 ISO 4762	VITE INOX M6x8 TCEI ISO 4762	
00000217	S/S SCREW TE CH9 + TC LT=20 FOR SHOWER	VITE INOX M6 LT=20 TE CH9 + TCx DOCCIA	
R00000217	KIT-S/S SCREW TE CH9 + TC LT=20 FOR SHOWER - 10Pcs	KIT-VITE INOX M6 LT=20 + TCx DOCCIA - 10Pz	
00000221	S/S SECURITY FLAT WASHER INOX M6 CONICAL	RONDELLA DI SICUREZZA INOX M6 SCHNORR CONICA	
02280020.V	CONICAL GROUP GASKET	GUARNIZ. SOTTOCOPPA CONICA H7.8 V - NBR 82/84 ShA	
R02280020.V	KIT-CONICAL GROUP GASKET - 10Pcs	KIT-GUARNIZ. SOTTOCOPPA CONICA H7.8 V - NBR- 10Pz	
02290016	GASKET O RING D9,5 R5 SIL RED	GUARN. OR D 9,5 R5 SILICONE R.	
R02290016	KIT-GASKET O RING D9,5 SIL RED - 30Pcs	KIT-GUARN. OR D 9,5 SILICONE R. - 30Pz	
03000066	S/S SHOWER 56X5,5X6 WELDED	DOCCIA INOX 56x5,5x 6 SALDATA Aisi304	
R03000066	KIT-S/S SHOWER 56X5,5X6 WELDED - 5Pcs	KIT-DOCCIA INOX 56x5,5x 6 SALDATA Aisi304 - 5Pz	
03000072	FILTER ONE COFFEE HIGH 7gr	FILTRO 1 CAFFE' ALTO 7gr.	
R03000072	KIT-FILTER ONE COFFEE HIGH 7gr - 3Pcs	KIT-FILTRO 1 CAFFE' ALTO 7gr. - 3Pz	
03000073	FILTER TWO COFFEE HIGH 14gr	FILTRO 2 CAFFE' ALTO 14gr.	
R03000073	KIT-FILTER TWO COFFEE HIGH 14gr - 3Pcs	KIT-FILTRO 2 CAFFE' ALTO 14gr. - 3Pz	
03000107	BLIND FILTER	FILTRO CIECO	
R03000107	KIT-BLIND FILTER - 8Pcs	KIT-FILTRO CIECO - 8Pz	
04100017	3WAY SOLENOID DIS BASE 1/8220-230V50/60Hzz F1.5 CE	E.V. NC 3VIE BASETTA SCAR. 1/8220-230V 50/60HzRUBY F'	
R04100017	KIT-3WAY SOLENOID DIS BASE 1/8220-230V50/60Hzz - 1P	KIT-E.V. NC 3VIE BASETTA SCAR. 1/8220-230V 50/60Hz- 1Pz	
04100018	3WAY SOLENOID DIS BASE 1/8110-120V60Hz F1.6 UL	E.V. NC 3VIE BASETTA SCAR. 1/8110-120V 60Hz RUBYF1.6	
05000840	FILTER HOLDER KNOB 2003 BLACK	MANOPOLA PORTAFILTRO 2003 NERO	
R05000840	KIT-FILTER HOLDER KNOB 2003 BLACK-8Pcs	KIT -MANOPOLA PORTAFILTRO 2003 NERO-8Pz	
05000842	FILTER HOLDER KNOB LOCK 2003	CHIUSURA MANOPOLA PORTAFILTRO 2003	
R05000842	KIT-FILTER HOLDER KNOB LOCK - 20Pcs	KIT-CHIUSURA MANOPOLA PORTAFILTRO - 20Pz	
05000844	BLACK RUBBER COVER FILTER HOLDER KNOB	RIVESTIMENTO GOMMA NERA MANOPOLA PORTAFILTRO	
05080035	COFFEE TAMPER ABS BLACK	PRESSA CAFFE' ABS NERO	
06200008	2WAY OPEN NOZZLE	BECCO DUE VIE OPEN	
R06200008	KIT-2WAY OPEN NOZZLE - 1Pcs	KIT-BECCO DUE VIE OPEN - 1Pz	
07300092	1WAY CURVED OPEN NOZZLE	BECCO UNA VIA CURVO OPEN	
R07300092	KIT-1WAY CURVED OPEN NOZZLE - 2Pcs	KIT-BECCO UNA VIA CURVO OPEN - 2Pz	
07300126	GIGLEUR M8x8 F.1,5 OT-57 +TEA	GIGLER M8x8 F.1,5 OT-57 +TEA	
07300127	GIGLEUR M8x8 F.2,5	GIGLER M8x8 F.2,5	
07300128	PLUG 1/4 GAS ADD.31.01.89 OT-57	TAPPO 1/4 GAS AGG.31.01.89 OT-57	
07300171	DISPENSING GROUP PLUG OT M20X1,5	TAPPO OT M20X1,5 GR. EROG.	
07300172	FITTING 3/8"M-3/8"M INT M8 OT-57 USA	RACCORDO 3/8M-3/8M INT M8 OT-57 USA	
R07300172	KIT-FITTING 3/8"M-3/8"M INT M8 USA - 8Pcs	KIT-RACCORDO 3/8"M-3/8"M INT M8 - 8Pz	
07300183	GROUP DIFFUSER h=3 OT-57	PADIGLIONE GRUPPO h=3 OT-57	
R07300183	KIT-GROUP DIFFUSER h=3 - 2Pcs	KIT-PADIGLIONE GRUPPO h=3 - 2Pz	
07300183.4	GROUP DIFFUSER h=4 OT-58	PADIGLIONE GRUPPO h=4 OT-58	
R07300183.4	KIT-GROUP DIFFUSER h=4 - 2Pcs	KIT-PADIGLIONE GRUPPO H=4 - 2Pz	
07300183.5	GROUP DIFFUSER h=5 OT-58	PADIGLIONE GRUPPO h=5 OT-58	
R07300183.5	KIT-GROUP DIFFUSER h=5 - 2Pcs	KIT-PADIGLIONE GRUPPO h=5 - 2Pz	
07300226	GIGLEUR M8X8 F.2 OT-57 + TEA	GIGLER M8x8 F.2,0 OT-57 +TEA	
07300231	GIGLEUR M8X8 F.1,8	GIGLER M8x8 F.1,8	
07300601	FILTER HOLDER KNOB INSERTION STAINLESS	INSERTO MANOPOLA PORTAFILTRO 2003 INOX (Aisi303)**I	

COD.	DESCRIPTION	DESCRIZIONE	VAL.
07300859	FITTING 3/8M-3/8M GIGLER F.3 OT-57	RACCORDO 3/8M-3/8M GIGLER F.3 OT-57	
08000017	S/S FILTER LOCKING SPRING	MOLLA BLOCCA FILTRO ACC.INOX	
R08000017	KIT-S/S FILTER LOCKING SPRING - 15Pcs	KIT-MOLLA BLOCCA FILTRO ACC.INOX - 15Pz	
190000110	3 WAYS SOLENOID SMALL BASE SCAR.1/8 208-240V 60Hz	E.V. NC 3VIE Basetta SCAR.1/8 208-240V 60Hz F1.5RUBY	
98005021	COMPLETE SLOPED PORTAFILTER 1WAY N.S.	PORTAFILTRO INCLINATO COMP. 1 VIA N.S.	
R98005021	KIT-COMPLETE SLOPED PORTAFILTER 1WAY N.S. - 1Pcs	KIT-PORTAFILTRO INCLINATO COMP. 1 VIA N.S. - 1Pz	
98005022	COMPLETE SLOPED PORTAFILTER 2WAY N.S.	PORTAFILTRO INCLINATO COMP. 2 VIE N.S.	
R98005022	KIT-COMPLETE SLOPED PORTAFILTER 2WAY N.S. - 1Pcs	KIT-PORTAFILTRO INCLINATO COMP. 2 VIE N.S. - 1Pz	
98030655	SUPERIOR DISPENSING GR TUBE APPIA II 1GR	TUBO GR.EROGAZ.SUP. APPIA II 1GR.	
98030656	INFERIOR DISPENSING GR TUBE APPIA II 1GR	TUBO GR.EROGAZ.INF. APPIA II 1GR.	
98040000005000001	DISPENSING GROUP SET 230V 50/60Hz	ASS. GR. EROG. 230V	
98040000005000002	DISPENSING GROUP SET 230V KC	ASS. GR. EROG. 230V KC	
98040000005000003	DISPENSING GROUP SET 115V	ASS. GR. EROG. 115V	
98040000005000004	DISPENSING GROUP SET ETI 208-240V CSA	ASS. GR. EROG. 208-240V CSA	
98040000005000005	DISPENSING GROUP SET 115V H=3mm	ASS. GR. EROG. 115V H=3mm	
98040000005000006	DISPENSING GROUP SET 230V H=3mm	ASS. GR. EROG. 230V H=3mm	
98040000005000007	DISPENSING GROUP SET 230V FLAT GASKET	ASS. GR. EROG. 230V GUARNIZIONE PIANA	
98040000005000008	DISPENSING GROUP SET 230V GIGLEUR F.1	ASS. GR. EROG. 230V GIGLEUR F.1	
98040000005000009	DISPENSING GROUP SET 208-240V CSA H=3mm	ASS. GR. EROG. 208-240V CSA H=3mm	
98040000005000010	GROUP SET DISPENSER 230V H=4mm FLAT GASKET	ASS. GR. EROG. 230V H=4mm GUARNIZIONE PIANA	
98040000005000011	DISPENSING GROUP SET 230V GIGLEUR F.1 FLAT GASKET	ASS. GR. EROG. 230V GIGLEUR F.1 GUARNIZIONE PIANA	



T.04

COD.	DESCRIPTION	DESCRIZIONE	VAL.
00300002	BRASS NUT 1/4 D3 CH18	DADO OT 1/4 SPESS.3 CH18 AGG. 22.07.96	
R00300002	KIT-BRASS NUT 1/4 D3 - 15Pcs	KIT-DADO OT 1/4 SPESS.3 - 15Pz	
00300013	BRASS NUT 3/8 GAS D4 CH20 ADD 22.07.96	DADO OT 3/8 GAS SPESS.4 CH20 AGG.22.07.96	
01000010	S/S FLEXIBLE TUBE 1/4 FF L=320	TUBO FLESS.INOX 1/4-F.F. L=320	
R01000010	KIT-S/S FLEXIBLE TUBE 1/4 FF L=320 - 1Pcs	KIT-TUBO FLESS.INOX 1/4-F.F. L=320 - 1Pz	
01000023	ANTI VACUUM VALVE	VALVOLINA SFIATO	
R01000023	KIT-ANTI VACUUM VALVE - 3Pcs	KIT-VALVOLINA SFIATO - 3Pz	
01300004	VOLUMETRIC PUMP 50 lt/h OT-57	POMPANTE VOLUMETRICO 50 lt/h OT-57	
03000202	CONDENSATION TRAY MASTER	VASCHETTA RACCOGLI CONDENSA AGG. 07.06.97	
04500033	ELEC ENGINE MASTER/PREMIER 2001 230V 50/60Hz 120W	MOTORE ELETTRICO 230V 50/60Hz 120W	
04500037	ELEC ENGINE 115V 50/60Hz 100W APPIA 1GR	MOTORE ELETTRICO 115V 50/60Hz APPIA 1GR. 100W	
05000063	SAFETY VALVE COVER PA6	COPRI VALVOLA SICUREZZA PA6	
R05000063	KIT-SAFETY VALVE COVER PA6 - 8Pcs	KIT-COPRI VALVOLA SICUREZZA PA6 - 8Pz	
06200125	4WAY MANIFOLD 1/4M OT-57 USA	CROCIERA 4 VIE 1/4M OT-57 USA	
07300009	NUT FITTING 1/4 GAS	DADO RACCORDO 1/4 GAS	
07300013	FITTING L 1/4 M-F CYLIN. OT-58 NICKEL	RACCORDO L 1/4 M-F CILIN. OT-58 NICHELATO	
07300017	FITTING 1/4M 3/8M GAS OT-57 USA	RACCORDO 1/4M 3/8M GAS OT-57 USA	
07300063	CLOSED TERMINAL D11	TERMINALE CHIUSO D.11 OT-58	
07300068	FITTING L 3/8 M-M CYLIN	RACCORDO L 3/8 M-M CILIN.	
07300227	BRASS WASHER D.26X13,5X1,5 ADD 5.06.03	RONDELLA OT D.26x13,5x1,5 AGG 5.06.03	
07300361	FITTING L GIR 1/4 M-FITTING 6 VITON 346 A NICKEL-PLAT	RACCORDO L GIR 1/4 M-CALZAM.6 VITON 346 ANICHELATI	
07300365	T FITTING 1/4 FFM	RACCORDO T 1/4 M-F-F	
09000016	SPHERE TAP - NETWORK CONNECTION 3/8 M-F MINI	RUBINET. SFERA ALLACCIO RETE 3/8 M-F MINI	
R09000016	KIT-SPHERE TAP - NETWORK CONNECTION 3/8 M-F MINI	KIT-RUBINET. SFERA ALLACCIO RETE 3/8 M-F MINI- 2Pz	
09100003	DOUBLE SCALE GAUGE 2,5:15 D.60	MANOMETRO DOPPIA SCALA 2,5:15 D.60	
R09100003	KIT-DOUBLE SCALE GAUGE 2,5:15 D.60 - 1Pcs	KIT-MANOMETRO DOPPIA SCALA 2,5:15 D.60 - 1Pz	
98013020	SAFETY VALVE A5 1/4 REG 1,8 BAR OT-58	VALVOLA SICUREZZA A5 1/4 TARATA 1,8 BAR OT-58	
R98013020	KIT-SAFETY VALVE A5 1/4 REG 1,8 BAR - 2Pcs	KIT-VALVOLA SICUREZZA A5 1/4 TARATA 1,8 BAR- 2Pz	
98030075	CAPILLARY TUBE 1/8-1/4 0,9X2X400 GAUGE-PUMP	TUBO CAPILLARE 1/8-1/4 0,9x2x400 MANOM.-POMPA	
R98030075	KIT-CAPILLARY TUBE 1/8-1/4 0,9X2X400 GAUGE-PUMP - 2	KIT-TUBO CAPILLARE 1/8-1/4 0,9x2x400 MANOM.-POMPA- 2	
98031126	BOILER - RIGHT VALVE EASYCREAM TUBE AURELIA18	TUBO CALDAIA-E.V. EASY CREAM DX AURELIA18	
981700000001110001	GROUP MOTOR ASSEMBLY+PUMP 1GR 220V 50Hz	ASS. GR. MOTORE+POMPA 1GR. 220V 50Hz	
981700000001110002	GROUP MOTOR ASSEMBLY+PUMP 1GR 115V 60Hz	ASS. GR. MOTORE+POMPA 1GR. 115V 60Hz	



**North America Market
Mercato Nord America

COD.	DESCRIPTION	DESCRIZIONE	VAL.
00200011	GALV WASHER M16 17x30x3	RONDELLA AQ M16 17x30x3 ZINC	
00300012	BRASS NUT 3/8 GAS D6 CH22 ADD 22.07.96	DADO OT 3/8 GAS CH22 SPESS.6 AGG. 22.07.96	
02280011	GASKET O RING R11 D19 EP 851	GUARN. OR R11 D19 EP 851	
R02280011	KIT-GASKET O RING R11 D19 EP - 25Pcs	KIT-GUARN. OR R11 D19 EP - 25Pz	
02280014	GASKET GASKET O RING D.7 AN2/OR102 SILICON	GUARN. OR D7 AN2/OR102 SILICON7XL1715	
R02280014	KIT-GASKET GASKET O RING D.7 AN2/OR102 SILICON - 30	KIT-GUARN. OR D7 SILICON 7XL1715 - 30Pz	
02280036	O RING FOR STEAM WAND NOZZLE D6x1.2 EPDM70 500 F	GUARN. OR x BECCO LANCI A VAP. DI 6x1.2 EPDM70(CONF	
R02280036	KIT-O RING FOR STEAM WAND NOZZLE D6x1.2 EPDM - 65	KIT-GUARN. OR x BECCO LANCI A VAP. D. 6x1.2 EPDM- 65P	
02280037	GASKET O RING JOINT LOCK 16x2 NBR70	GUARN. OR CHIUSURA SNODO 16x2 NBR70	
R02280037	KIT-GASKET O RING JOINT LOCK 16x2 NBR - 45Pcs	KIT-GUARN. OR CHIUSURA SNODO 16x2 NBR - 45Pz	
02600004	O RING 15,2x10,2x2,5 TEFLON x STEAM WAND SPHERE	GUARN. OR 15,2x10,2x2,5 TEFLONx SFERA LANCI A VAPORI	
R02600004	KIT-O RING 15,2x10,2x2,5 TEFLON x STEAM - 55Pcs	KIT-GUARN. OR 15,2x10,2x2,5 TEFLONx SFERA LANCI A- 55	
04100012	2WAY SOLENOID 1/8-1/8 1/8 240V50/60hz F3 UL TH2xM5	E.V. NC 2VIE 1/4-1/4 220-230V 50/60HZ VITON F1.5CE PIEDI	
R04100012	KIT-2WAY SOLENOID 1/8-1/8 1/8 240V50/60hz F3 - 1Pcs	KIT-E.V. NC 2VIE 1/4-1/4 220-230V 50/60HZ VITON- 1Pz	
04100013	2WAY SOLENOID 1/4-1/4 110-120V60Hz F1.5 UL TH1xM4	E.V. NC 2VIE 1/4-1/4 110-120V 60Hz VITON F1.5 ULPIEDINO	
05000001	RUBBER PROTECTION FOR STEAMWAND D10	GOMMINO PROTEZIONE LANCI A D.10	
R05000001	KIT-RUBBER PROTECTION FOR STEAMWAND D10 - 10Pcs	KIT-GOMMINO PROTEZIONE LANCI A D.10 - 10Pz	
07300100.1	DISCHARGE ATTACHMENT 1/4 1/4 INOX AISI316	ATTACCO SCAR. 1/4-1/4 INOX Aisi316	
07300221	S/S STEAMTAP ROD	ASTA INOX RUBINETTO VAPORE	
R07300221	KIT-S/S STEAMTAP ROD - 3Pcs	KIT-ASTA INOX RUBINETTO VAPORE - 3Pz	
07300293	ARTICULATED BUSHING AG.25.06.96 OT-57	BUSSOLA SNODO AG.25.06.96 OT-57	
R07300293	KIT-ARTICULATED BUSHING - 15Pcs	KIT-BUSSOLA SNODO - 15Pz	
07300798	NUT FITTING 3/8 H=26 BRASS-NICKEL ARTICULATED WAI	DADO RACC. 3/8 H=26 LANCI A SNODATA OTTONENICHEL/	
R07300798	KIT-NUT FITTING 3/8 H=26 BRASS-NICKEL ARTICULATED	KIT-DADO RACC. 3/8 H=26 LANCI A SNODATA OTTONE- 4Pz	
07300800	STEAM TAP BODY AURELIA II OT-57	CORPO RUB.VAPORE AURELIA II OT-57	
R07300800	KIT-STEAM TAP BODY - 1Pcs	KIT-CORPO RUB.VAPORE - 1Pz	
07300802	ATTACHMENT HOT WATER TAP/AUTOSTEAM AURELIA II	ATTACCO RUB. ACQUA/AUTOSTEAM AURELIA II OT-57	
07300858	FITTING 1/4M-1/4M OT-57 USA	RACCORDO 1/4M-1/4M OT-57 USA	
R07300858	KIT-FITTING 1/4M-1/4M - 15Pcs	KIT-RACCORDO 1/4M-1/4M - 15Pz	
08000005	STEAM TAP SPRING 6 ST 11,5X8,5X25	MOLLA 6 ST 11,5X8,5X25 RUB.VAPORE	
R08000005	KIT-STEAM TAP SPRING 6 ST 11,5X8,5X25 - 15Pcs	KIT-MOLLA 6 ST 11,5X8,5X25 RUB.VAPORE - 15Pz	
08000043	SPRING FOR ARTICULATED WAND D.1.6 D.11.9x16.2 4CO	MOLLA PER LANCI A SNODATA FILO D.1.6 D.11.9x16.2 4SPIL	
R08000043	KIT-SPRING FOR ARTICULATED WAND D.1.6 D.11.9x16.2	KIT-MOLLA PER LANCI A SNODATA FILO D.1.6 D.11.9x16.2 - 1	
190000113	2 WAYS SOLENOID 1/4-1/4 208-240V 60Hz FKM F1.5 UL NS	E.V. NC 2VIE 1/4-1/4 208-240V 60Hz FKM F1.5 UL NSF	
75006038.1	STEAM NOOZLE M8,65X0,75 F1,2 ESAG.12	BECCO VAPORE M8,65x0,75 F. 1,2 ESAG.12	
75006038.2	STEAM NOZZLE M8,65x0,75 F. 1,5 ESAG.12	BECCO VAPORE M8,65x0,75 F. 1,5 ESAG.12	
75006070	SS STEAMWAND KIT NOZZLE 1,5mm HIGH NUT APPIA II	KIT LANCI A VAPORE SNODATA INOX CON BECCO 1,5 EDA	
82007003	HOTWATER DIFFUSER D23,5 F1/8 WITH PLASTIC AERATC	ROMPIGETTO ACQUA CALDA D.23,5 F 1/8" CON AERATORI	
98006021	RIGHT STEAM KNOB SET 2004	ASSIEME MANOPOLA VAPORE 2004 DX	
R98006021	KIT-RIGHT STEAM KNOB SET - 1Pcs	KIT-ASSIEME MANOPOLA VAPORE DX - 1Pz	
98007020	S/S HOTWATER WAND KIT L100 HIGH NUT W/ DIFFUSER	KIT LANCI A ACQUA C. INOX L=100 DADO ALTO COMPLETC	
98008004	COMPLETE STEAM VALVE PISTON	PISTONCINO CHIUSURA COMPLETO	
R98008004	KIT-COMPLETE STEAM VALVE PISTON - 5Pcs	KIT-PISTONCINO CHIUSURA COMPLETO - 5Pz	
98030659	VALVE - HOTWATER WAND TUBE APPIA II 1GR	TUBO E.V. - LANCI A ACQUA CALDA APPIA II 1GR.	
98030782	PIPE BOILER-HOT WATER 1GR.	TUBO CALDAIA ACQUA CALDA APPIA19 1GR.	

APPIA
Life.

1 GRUPPO

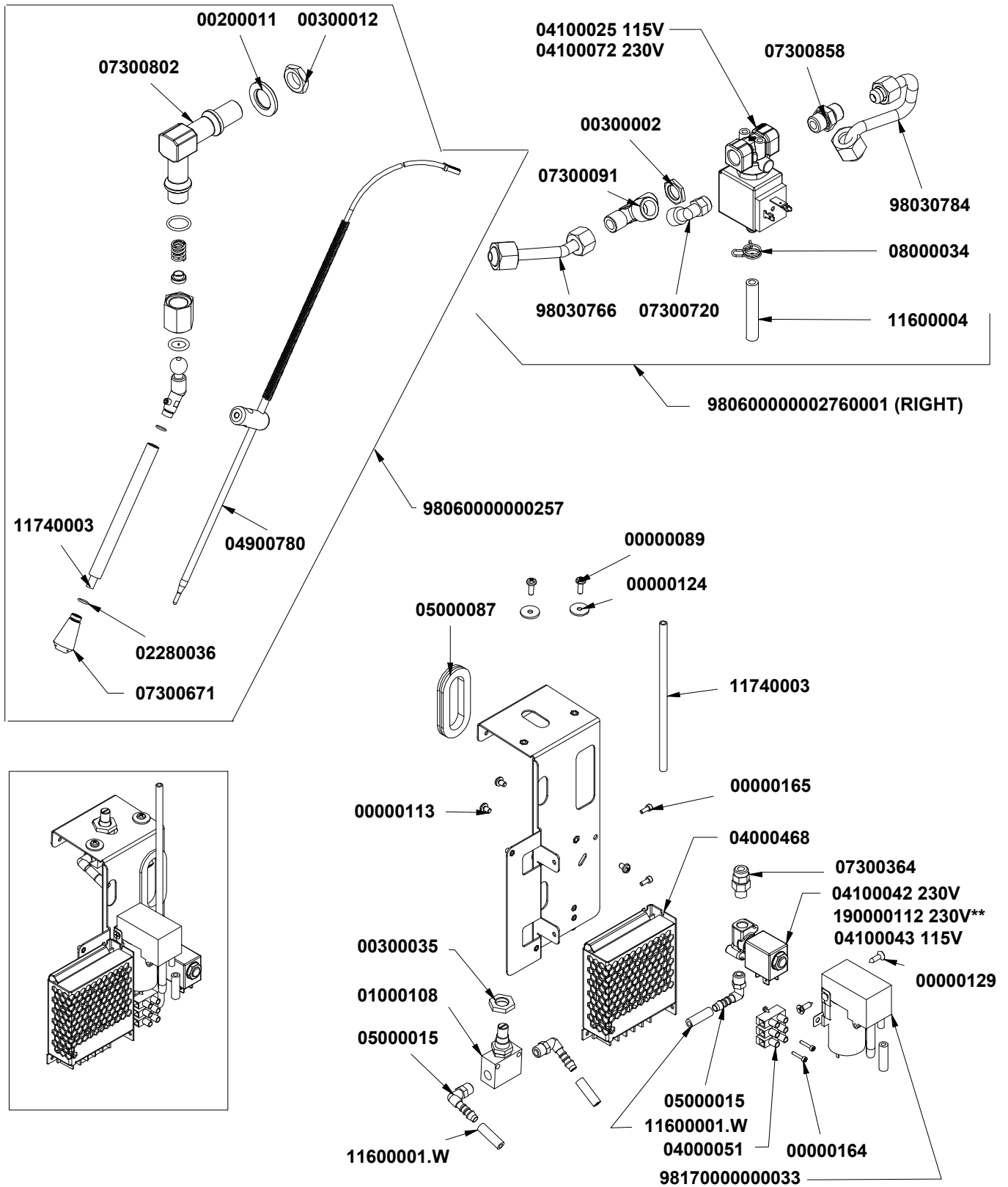
1 GROUP

PARTI RUB. VAPORE E ACQUA CALI

STEAM TAPS AND HOT WATER PAR'

COD.	DESCRIPTION	DESCRIZIONE	VAL.
98060000000250	STEAM TAP + STEAMWAND SET W/ HIGH NUT APPIA II	ASS. RUBINETTO VAPORE + LANCIA VAPORE CON DADOA	

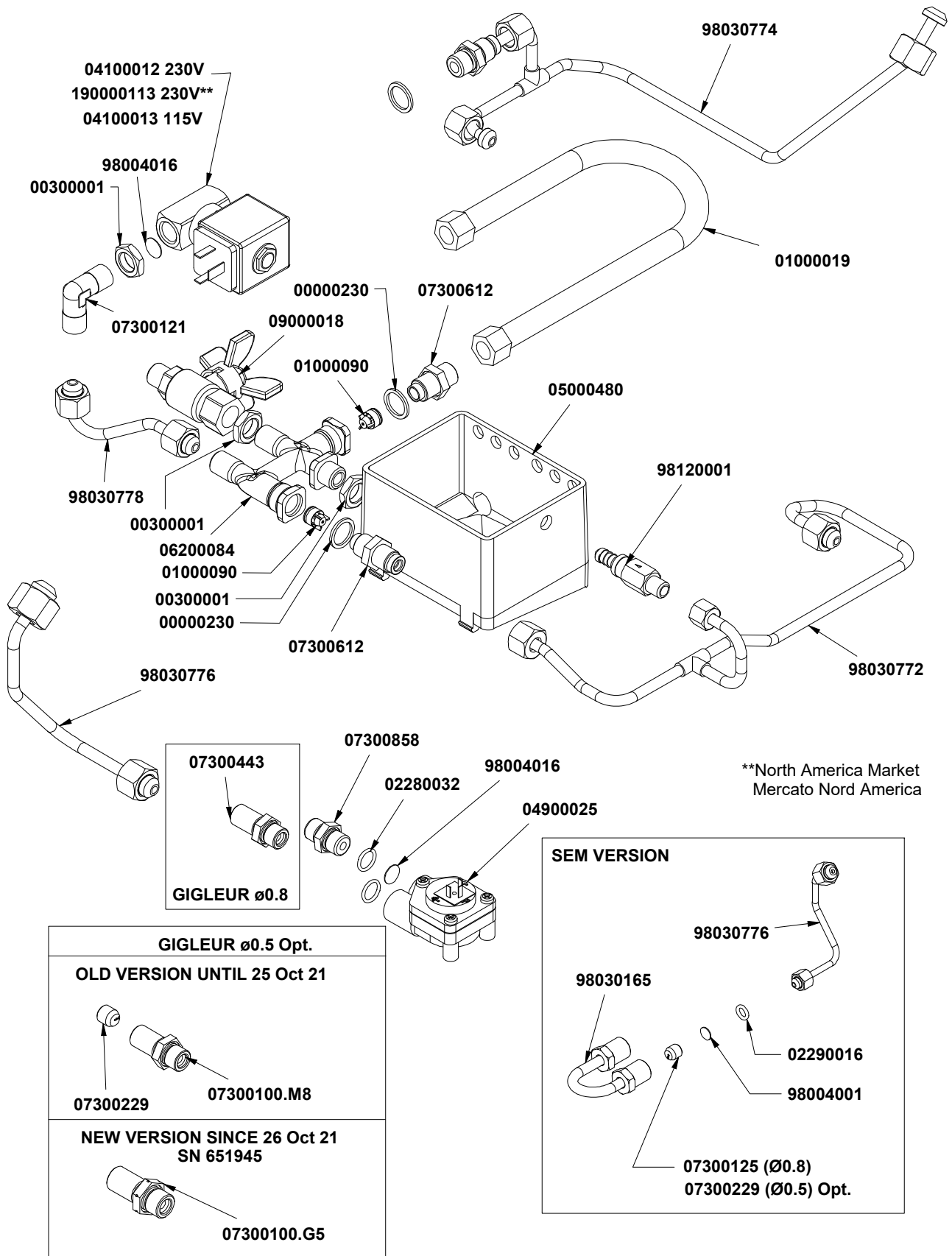
APPIA *Life.*



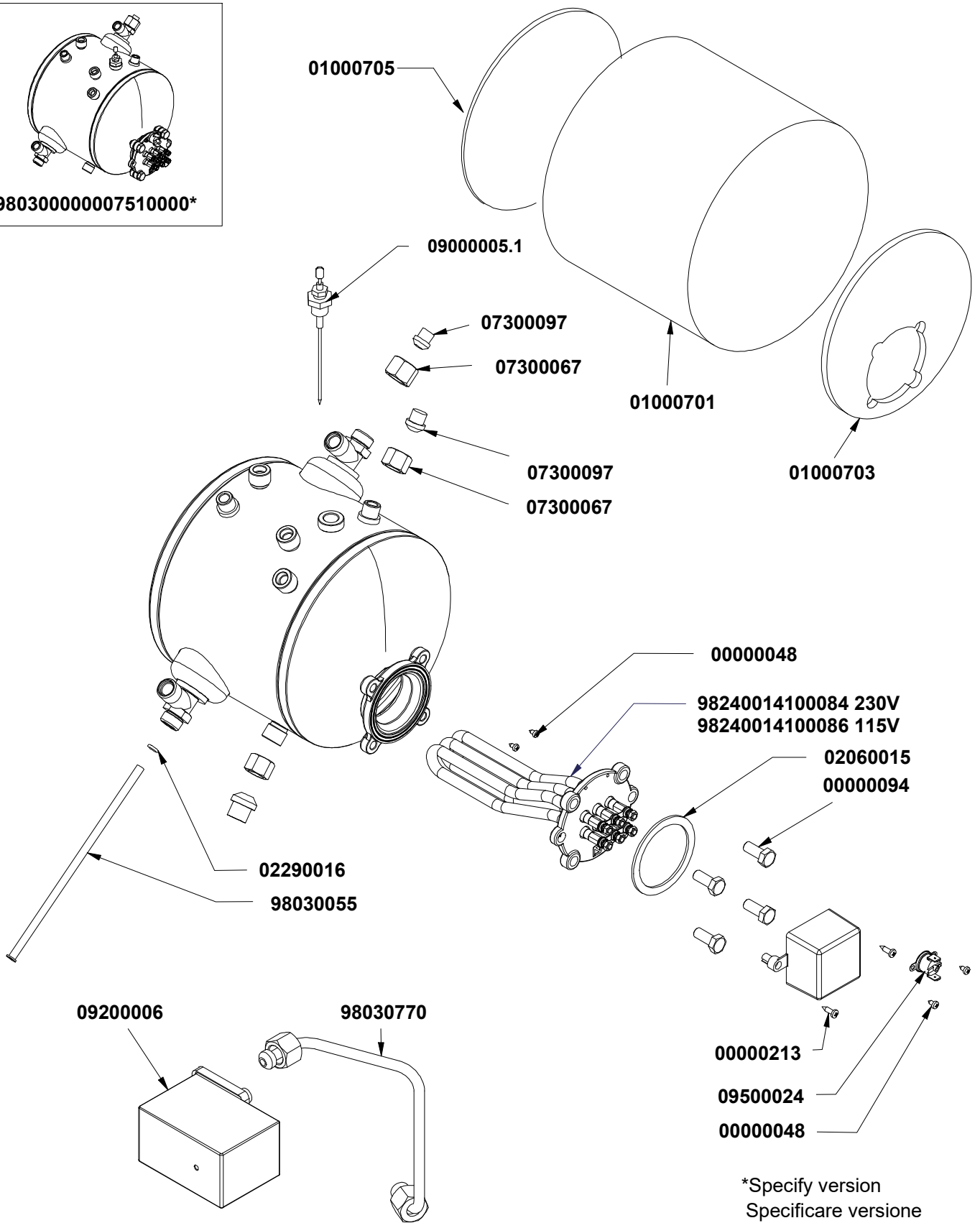
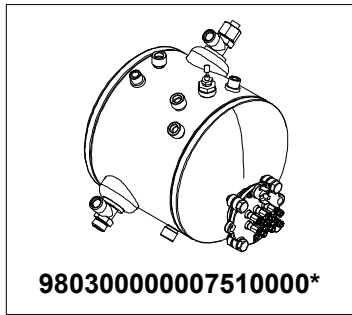
CODE	DESCRIPTION	DESCRIZIONE
04001510	Wiring Easy Cream	Cablaggio Easy Cream

**North America Market
Mercato Nord America

COD.	DESCRIPTION	DESCRIZIONE	VAL.
98060000000257	ATTACHMENT + EASYCREAM WAND W/ PROBE SET APP	ASS. ATTACCO + LANCIA EASY CREAM CON SONDA APPIA	
00000089	S/S CROSSHEAD CAP SCREW M4x12 DIN7985	VITE INOX M4x12 TC TCR DIN7985	
00000113	S/S CROS SHEAD CAP SCREW M4x6 7985	VITE INOX M4x6 TC T.CR. 7985	
00000124	GALV WASHER D4 3x16x1.5	RONDELLA AQ D4.3x16x1.5 ZINC.	
00000129	S/S SELF-TAPPING SLT COUNTERSUNK SCREW 3.5x13	VITE AUTOF INOX 3,5x13 TSP/TCR	
00000164	S/S SCREW M3x16 TCEI ISO 4762	VITE INOX M3x16 TCEI ISO 4762	
00000165	S/S SCREW M3x8 TCEI ISO 4762	VITE INOX M3x8 TCEI ISO 4762	
00200011	GALV WASHER M16 17x30x3	RONDELLA AQ M16 17x30x3 ZINC	
00300002	BRASS NUT 1/4 D3 CH18	DADO OT 1/4 SPESS.3 CH18 AGG. 22.07.96	
R00300002	KIT-BRASS NUT 1/4 D3 - 15Pcs	KIT-DADO OT 1/4 SPESS.3 - 15Pz	
00300012	BRASS NUT 3/8 GAS D6 CH22 ADD 22.07.96	DADO OT 3/8 GAS CH22 SPESS.6 AGG. 22.07.96	
00300035	OT NUT M12X1 CH19 FOR FIXING GAS VALVE APPIA	DADO OT M12x1 CH19 x FISSAGGIO VALVOLA APPIA GAS	
01000108	TAP MRF 1/8 FF 604	RUBINETTO MRF 1/8 F-F 604	
02280036	O RING FOR STEAM WAND NOZZLE D6x1.2 EPDM70 500 F	GUARN. OR x BECCO LANCIA VAP. DI 6x1.2 EPDM70(CONF	
R02280036	KIT-O RING FOR STEAM WAND NOZZLE D6x1.2 EPDM - 65P	KIT-GUARN. OR x BECCO LANCIA VAP. D. 6x1.2 EPDM- 65P	
04000051	PA 67/3 CLAMP	MORSETTO 3 POLI * NON PIU' IN USO ***	
04000468	TRANSFORMER 24VDC 50W OPTIONAL AURELIA18 LRS 5	TRASFORMATORE 24V 50W OPTIONALS AURELIA18 LRS5I	
R04000468	KIT-TRANSFORMER 24VDC 50W Opt. - 1Pcs	KIT-TRASFORMATORE 24V 50W-1 PZ	
04001510	EXTRA WIRING EASYCREAM APPIA19	SUPPL. CABLAGGIO EASY CREAM APPIA19	
04100025	3WAY SOLENOID 1/4-1/4 DIS 1/8110-120V50/60Hz F3 TH 2	E.V. NC 3VIE 1/4-1/4 SCAR. 1/8110-120V 50/60HzRUBY F3 U	
04100042	2WAY SOLENOID 1/8-1/8 220-230V50/60Hz F2 CE TH1xM4	E.V. NC 2VIE 1/8-1/8 220-230V 50/60Hz VITON F2 CEPIEDIN	
R04100042	KIT-2WAY SOLENOID 1/8-1/8 220-230V50/60Hz F2 CE - 1Pc	KIT-E.V. NC 2VIE 1/8-1/8 220-230V 50/60Hz VITON F2- 1Pz	
04100043	2WAY SOLENOID 1/8-1/8 110-120V 60Hz F2 UL TH1xM4	E.V. NC 2VIE 1/8-1/8 110-120V 60Hz VITON F2 ULPIEDINO F	
04100072	3WY SOLENOID 1/4-1/4 DISCHARGE 1/8 208/240V 50/60Hz	E.V. NC 3VIE 1/4-1/4 SCAR. 1/8 208/240V 50/60Hz F5INOX	
04900780	PROBE PT1000 STEAMWAND TURBOCREAM D06 +SUP A	SONDA PT1000 x LANCIA VAPORE "TURBO CREAM" D06 +S	
05000015	TUBE FASTENING WES 6R 1/8	RACCORDO PORTATUBO WES 6R 1/8	
05000087	CABLE DUCT PVC OVALE NERO OV7	PASSACAVO PVC OVALE NERO OV7	
07300091	T FITTING MFM 1/4 CYLIN.	RACCORDO T 1/4 M-F-M CILIN.	
07300364	STRAIGHT FITTING 1/8 M CON. - FITTING.6 340	RACCORDO DIR. 1/8 M CON. - CALZAM.6 340	
R07300364	KIT-STRAIGHT FITTING 1/8 M CON. - FITTING.6 340 - 8Pcs	KIT-RACCORDO DIR. 1/8 M CON. - CALZAM.6 - 8Pz	
07300671	EASYCREAM NOZZLE 4HOLES TALENTO - AURELIA II	BECCO EASYCREAM 4 FORI TALENTO / AURELIA II	
07300720	L FITTING 1/4 M - FITTINGS	RACCORDO L 1/4 M - CALZAM.	
07300802	ATTACHMENT HOT WATER TAP/AUTOSTEAM AURELIA II	ATTACCO RUB. ACQUA/AUTOSTEAM AURELIA II OT-57	
07300858	FITTING 1/4M-1/4M OT-57 USA	RACCORDO 1/4M-1/4M OT-57 USA	
R07300858	KIT-FITTING 1/4M-1/4M - 15Pcs	KIT-RACCORDO 1/4M-1/4M - 15Pz	
08000034	HOSE CLAMP D12	FASCETTA STRINGITUBO D12	
11600001.W	WHITE SILICONE PIPE 4x7,5 60Sh(1mt=41gr) PLATINICO S	TUBO SILICONE BIANCO4x7,5 60Sh(1mt=41gr) PLATINICO S	
11600004	SILICONE PIPE 5x9 60Sh PEROX WHITE SEMITRASPAREN	TUBO SILICONE 5x9 60Sh PEROX BIANCOSEMITRASPAREI	
11740003	CALIBRATED TEFLON PIPE 6/4	TUBO TEFLON 6/4 CALIBRATO1 matassa = 50mt	
190000112	2 WAYS SOLENOID 1/8-1/8 208-240V 60Hz FKM F2 UL NSF	E.V. NC 2VIE 1/8-1/8 208-240V 60Hz FKM F2 UL NSF 121WH	
98030766	E.V. EASY CREAM PIPE - RIGHT WAND APPIA19 1GR. ANI	TUBO E.V. EASY CREAM - LANCIA DX APPIA19 1GR. ECOM	
98030784	PIPE BOILER-RIGHT EC SOL.VALVE 1GR.	TUBO CALDAIA-E.V. EASY CREAM DX APPIA19 1GR.	
980600000002760001	SOLENOID + RIGHT STEAM TUBES SET EC	ASS. E.V. + TUBI VAPORE DX EC	
981700000000033	MICROCOMPRESSOR + SUPPORT SET TALENTO	ASS. SUPPORTO + MICROCOMPRESSORE TALENTO	



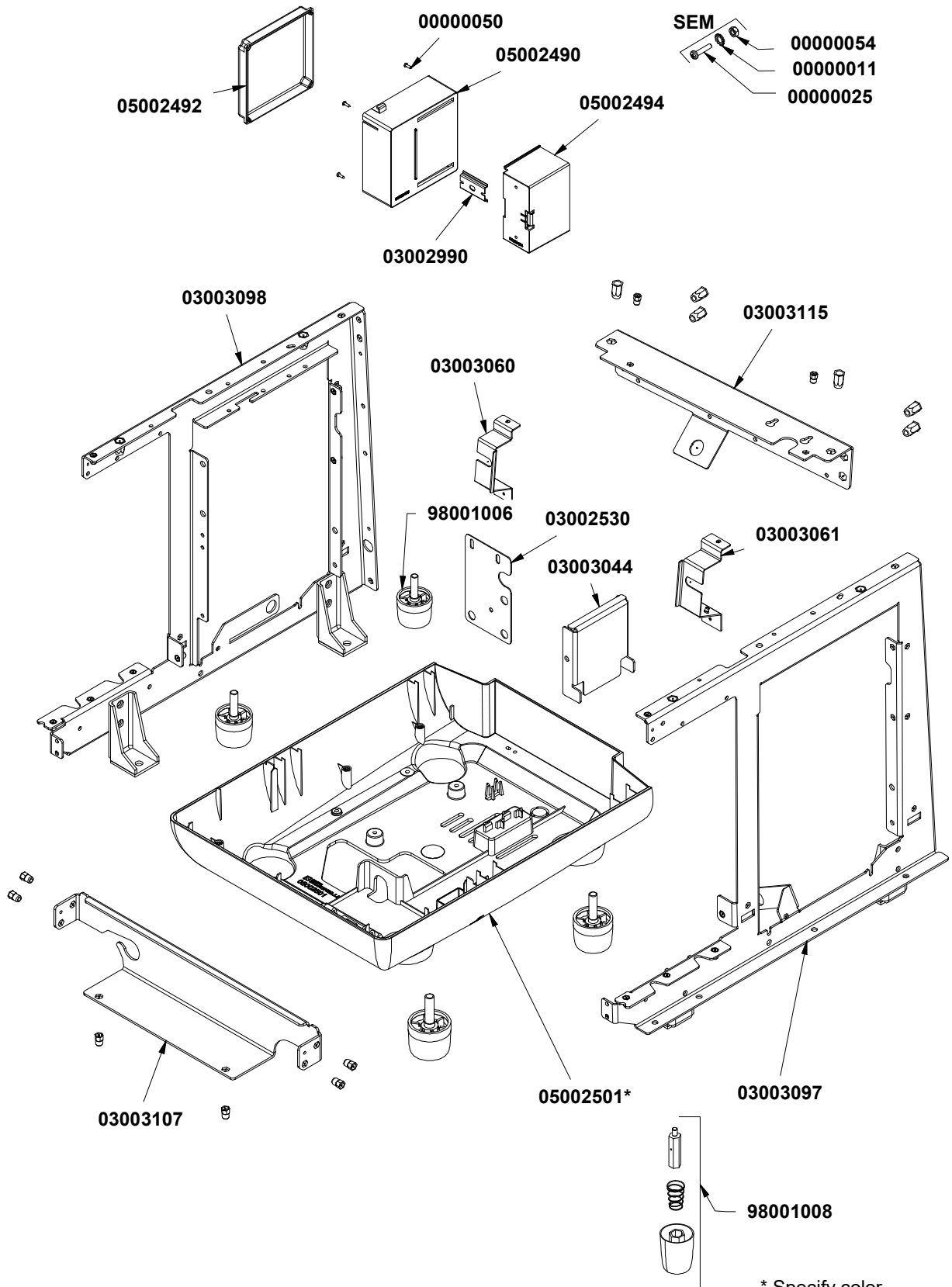
COD.	DESCRIPTION	DESCRIZIONE	VAL.
00000230	COPPER WASHER SEAL 14X18X1.5	RONDELLA GUARNIZIONE RAME RICOTTO 14x18x1.5	
00300001	BRASS NUT 1/4 GAS D5 CH18	DADO OT 1/4 GAS SPESS.5 CH18 *AGG. 22.07.96	
01000019	S/S FLEXIBLE TUBE 1/4 FF L= 500	TUBO FLESS.INOX 1/4 F.F. L=500	
R01000019	KIT-S/S FLEXIBLE TUBE 1/4 FF L= 500 - 1Pcs	KIT-TUBO FLESS.INOX 1/4 F.F. L=500 - 1Pz	
01000090	RETAINING VALVE D10	VALVOLINA DI RITEGNO D.10	
R01000090	KIT-RETAINING VALVE D10 - 6Pcs	KIT-VALVOLINA DI RITEGNO D.10 - 6Pz	
02280032	GASKET O RING 114 D15 EP 851	GUARN. OR 114 D.15 EP 851	
R02280032	KIT-GASKET O RING 114 D15 EP - 25Pcs	KIT-GUARN. OR 114 D.15 EP - 25Pz	
02290016	GASKET O RING D9,5 R5 SIL RED	GUARN. OR D 9,5 R5 SILICONE R.	
R02290016	KIT-GASKET O RING D9,5 SIL RED - 30Pcs	KIT-GUARN. OR D 9,5 SILICONE R. - 30Pz	
04100012	2WAY SOLENOID 1/8-1/8 1/8 240V50/60hz F3 UL TH2xM5	E.V. NC 2VIE 1/4-1/4 220-230V 50/60HZ VITON F1.5CE PIEDI	
R04100012	KIT-2WAY SOLENOID 1/8-1/8 1/8 240V50/60hz F3 - 1Pcs	KIT-E.V. NC 2VIE 1/4-1/4 220-230V 50/60HZ VITON- 1Pz	
04100013	2WAY SOLENOID 1/4-1/4 110-120V60Hz F1.5 UL TH1xM4	E.V. NC 2VIE 1/4-1/4 110-120V 60Hz VITON F1.5 ULPIEDINO	
04900025	BRASS FLOWMETER 1/4-1/4 GAS-ATT. HEAD 2,8x0,5 F 1,2	DOSATORE VOLUMETRICO OTT. 1/4-1/4 GAS-ATT. TEST.2,	
R04900025	KIT-BRASS FLOWMETER 1/4-1/4 GAS-ATT. HEAD 2,8x0,5 F	KIT -DOSATORE VOLUMETRICO OTT. 1/4-1/4 GAS -ATT. TE	
05000480	DRAIN TRAY VA358	VASCETTA SCARICO VA358	
06200084	5WAY MANIFOLD AURELIA OT-57 USA	CROCIERA 5 VIE AURELIA OT-57 USA	
R06200084	KIT-5WAY MANIFOLD USA - 1Pcs	KIT-CROCIERA 5 VIE - 1Pz	
07300100.G5	CONNECTION 1/4M-1/4M GIGLER F.0,5 OT-57 USA	ATTACCO SCAR. 1/4M-1/4M GIGLER F.0,5 OT-57 USA	
07300100.M8	DISCHARGE ATTACHMENT 1/4 1/4 + INT M8 OT-57 USA	ATTACCO SCAR. 1/4-1/4 + INT M8 OT-57 USA	
R07300100.M8	KIT-DISCHARGE ATTACHMENT 1/4 1/4 + INT - 8Pcs	KIT-ATTACCO SCAR. 1/4-1/4 + INT M8 - 8Pz	
07300121	FITTING L 1/4 M-M CYLIND ADD. 18.02.97	RACCORDO L 1/4 M-M CILINDRICOAGG. 18.02.97	
R07300121	KIT-FITTING L 1/4 M-M CYLIND - 8Pcs	KIT-RACCORDO L 1/4 M-M CILINDRICO - 8Pz	
07300125	GIGLEUR M8x8 F.0,8 OT-57 +TEA	GIGLER M8x8 F.0,8 OT-57 +TEA	
R07300125	KIT-GIGLEUR M8x8 F.0,8 +TEA - 15Pcs	KIT-GIGLER M8x8 F.0,8 - 15Pz	
07300229	GIGLEUR M8X8 F.0,5 OT-57 + TEA	GIGLER M8x8 F.0,5 OT-57 +TEA	
R07300229	KIT-GIGLEUR M8X8 F.0,5 + TEA - 15Pcs	KIT-GIGLER M8x8 F.0,5 - 15Pz	
07300443	FITTING 1/4M 1/4M GIGLER F.0,8 OT-57 USA	RACCORDO 1/4M 1/4M GIGLER F.0,8 OT-57 USA	
07300612	FITTING 1/4 1/4 GAS WITH ORING + RETURN VALVE LOCK	RACCORDO 1/4 1/4 GAS CON OR + BLOCCA VALVOLINARI	
07300858	FITTING 1/4M-1/4M OT-57 USA	RACCORDO 1/4M-1/4M OT-57 USA	
R07300858	KIT-FITTING 1/4M-1/4M - 15Pcs	KIT-RACCORDO 1/4M-1/4M - 15Pz	
09000018	DISPENSING SPHERE TAP 1/4 M-F "BUTTERFLY"	RUBINET. SFERA DISTRIBUTORE 1/4 M-F A FARFALLA	
190000113	2 WAYS SOLENOID 1/4-1/4 208-240V 60Hz FKM F1.5 UL NSF	E.V. NC 2VIE 1/4-1/4 208-240V 60Hz FKM F1.5 UL NSF	
98004001	S/S FILTER D8	FILTRO INOX DIAM. 8	
98004016	S/S FILTER D12	FILTRO INOX DIAM. 12	
R98004016	KIT-S/S FILTER D12 - 25Pcs	KIT-FILTRO INOX DIAM. 12 - 25Pz	
98030165	TUBE 1/4 1/4 SEMI-AUTO MODIFY APPIA 1-2-3GR	TUBO 1/4 1/4 MODIFICA SEMIAUT APPIA 1-2-3 GR.	
98030772	CROSSPIECE 1GR.	CROCIERA 1GR. APPIA19	
98030774	PIPE LEVEL SOL. VALVE-BOILER TAP 1GR.	TUBO E.V. LIVELLO-RUB. CARICO CALDAIA APPIA19 1GR.	
98030776	PIPE CONN. HYDR. GROUP-EXCHANGER 1GR.	TUBO COLL. GR.IDRAUL.- SCAMB. APPIA19 1GR.	
98030778	PIPE LEVEL SOL. VALVE-CROSSPIECE 1GR.	TUBO E.V. LIVELLO-CROCIERA APPIA19 1GR.	
98120001	NEPLAX VITON 16,5 BAR VALVE 1/8 HOSE CLAMP	VALVOLA NEPLAX VITON 16,5 BAR 1/8 - PORTAGOMMA	
R98120001	KIT-NEPLAX VITON 16,5 BAR VALVE 1/8 HOSE CLAMP - 2F	KIT-VALVOLA NEPLAX VITON 16,5 BAR 1/8 - PORTAGOMMA/	



*Specify version
Specificare versione

T.08

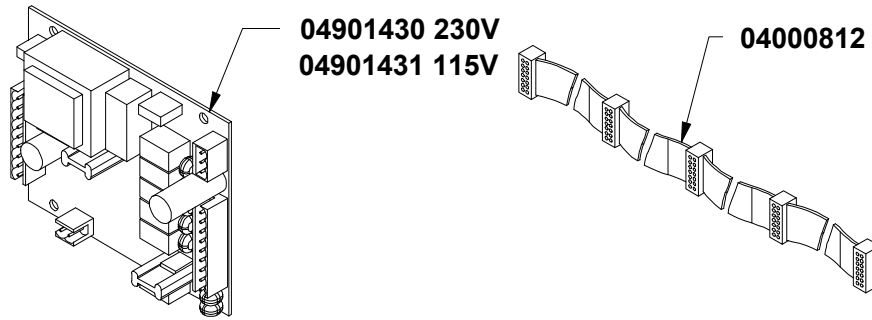
COD.	DESCRIPTION	DESCRIZIONE	VAL.
00000048	SELF-TAPPING SCREW 2.9x4.5 TC/T.CR.	VITE AUTOF 2,9x4,5 TC/T.CR.	
00000094	S/S HEX CAP SCREW M8x20 5739	VITE INOX M8x20 TE 5739	
00000213	GALV SELF-TAPPING SCREW 4,2x16 TC T.CR.	VITE AUTOF 4,2x16 TC T.CR. ZIN	
01000701	BOILER INSULATION APPIA LIFE 1GR	ISOLANTE CALDAIA APPIA LIFE 1GR MELAMMINA	
01000703	RIGHT BOILER INSULATION APPIA LIFE 1GR	ISOLANTE D.171 DX CALDAIA APPIA LIFE 1GR MELAMMINA	
01000705	LEFT BOILER INSULATION APPIA LIFE 1GR	ISOLANTE D.171 SX CALDAIA APPIA LIFE 1GR MELAMMINA	
02060015	GASKET FOR HEATING ELEMENT 067x054x2	GUARNIZIONE PTFE 067x054x2	
R02060015	KIT-GASKET FOR HEATING ELEMENT 067x054x2 - 8Pcs	KIT-GUARNIZIONE PTFE 067x054x2 - 8Pz	
02290016	GASKET O RING D9,5 R5 SIL RED	GUARN. OR D 9,5 R5 SILICONE R.	
R02290016	KIT-GASKET O RING D9,5 SIL RED - 30Pcs	KIT-GUARN. OR D 9,5 SILICONE R. - 30Pz	
07300067	NUT FITTING 3/8 GAS D11 ADD. 15.11.84 OT-58	DADO RACCORDO 3/8 GAS D11 AGG. 15.11.84 OT-58	
07300097	CLOSED TERMINAL D14 OT-57	TERMINALE CHIUSO D 14 OT-57	
09000005.1	COMPLETE AUTOLEVEL PROBE L130 + PTFE	SONDA AUTOLIVELLO COMP. L=130 CON GOLA	
09200006	MACHINE PRESSO GAUGE CE/UL TRIF. 30A 400V 0,5-1,4E	PRESSOSTATO MACCHINA CE/UL TRIF. 30A 400V0,5-1,4BA	
R09200006	KIT-MACHINE PRESSO GAUGE CE/UL TRIF. 30A 400V - 1P	KIT-PRESSOSTATO MACCHINA CE/UL TRIF. 30A 400V- 1Pz	
09500024	MANUAL THERMOSTAT 135°C TRIP FREE GREEN DRIPPIII	TERMOSTATO R.MAN. 135°C TRIP FREE GOCCIOLATURAV	
980300000007510001	COMPLETE BOILER ASSEMBLY 230V	ASS. CALDAIA COMP.1GR 230V	
980300000007510002	COMPLETE BOILER ASSEMBLY 115V	ASS. CALDAIA COMP.1GR 115V	
98030055	INTERNAL TEFLON TUBE EXCHANGER D6x180mm	TUBO TEFLON INT. SCAMBIATORE D.6 x 180 mm.	
R98030055	KIT-INTERNAL TEFLON TUBE EXCHANGER D6x180mm - 3	KIT-TUBO TEFLON INT. SCAMBIATORE D.6 x 180 mm.- 3Pz	
98030770	BOILER PIPE-PRESSURE GAUGE APPIA19 1GR.	TUBO CALDAIA-PRESSOSTATO APPIA19 1GR.	
98240014100084	HEATING ELEMENT W/ NUTS 1800W	RESISTENZA COMPLETA DI DADI 1800W	
R98240014100084	KIT-HEATING ELEMENT W/ NUTS 1800W - 1Pcs	KIT-RESISTENZA COMPLETA DI DADI 1800W - 1Pz	
98240014100086	HEATING ELEMENT W/ NUTS 1500W 115V	RESISTENZA COMPLETA DI DADI 1500W 115V	



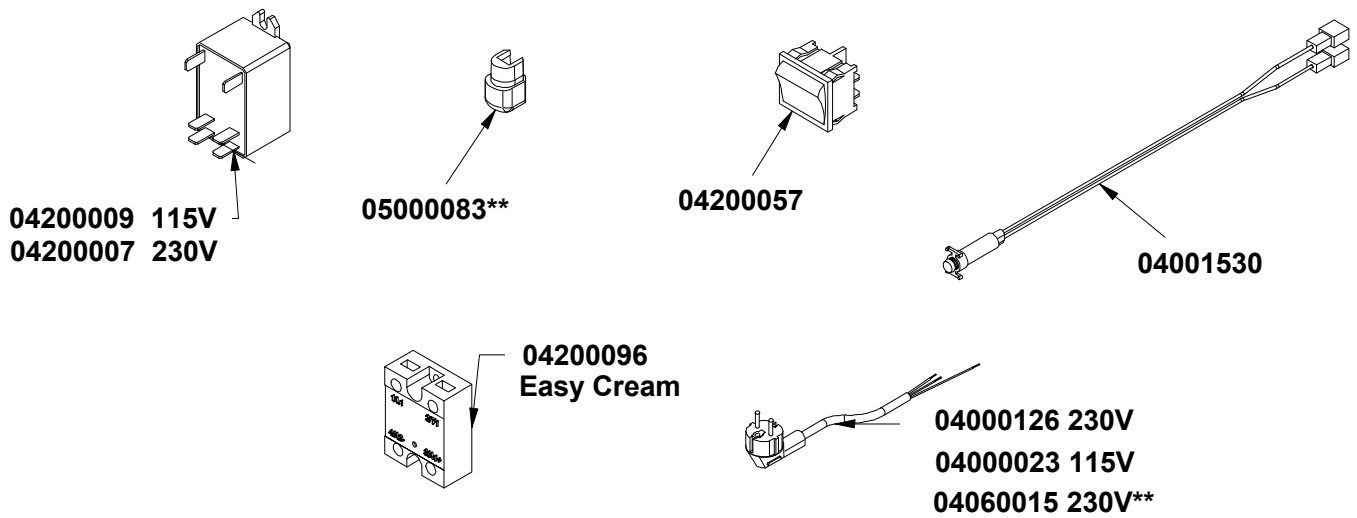
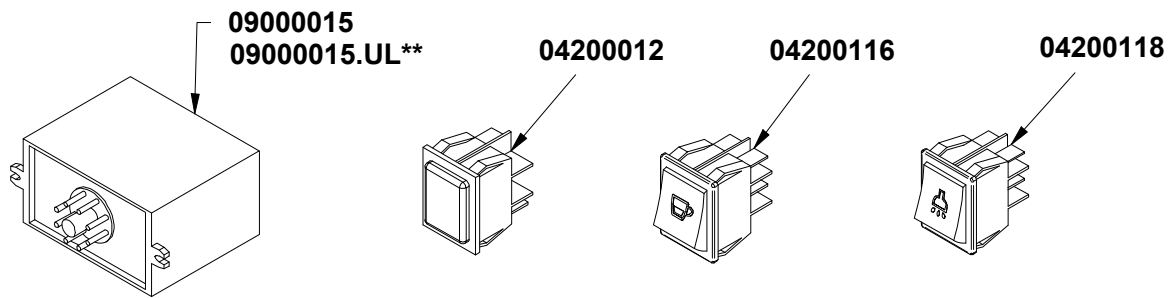
* Specify color
Specificare colore

COD.	DESCRIPTION	DESCRIZIONE	VAL.
00000011	S/S KNURLED WASHER M4 UNI8842/A	RONDELLA INOX M4 ZIGRINATA UNI8842/A	
00000025	GALV CROSS HEAD CAP SCREW AQ M6x20	VITE AQ M6x20 TC T.CR. ZINC	
00000050	CROSS HEAD/CAP SELF-TAPPING CHIPBOARD SCREW 3	VITE AUTOF 3,5x12 TC/T.CR. TRUCIOLARE	
00000054	GALV HIGH NUT M4	DADO AQ M4 ALTO ZINCATO	
03002530	GAUGE SUPPORT AURELIA II	STAFFA SUP. MANOM. AURELIA II	
03002990	GUIDE SWITCH DIN 55MM	GUIDA TELERUTTORE DIN 55mm	
03003044	BOILER SUPPORT APPIA 2GR/APPIA II 2 GR-COMPACT	LAMIERA SUPPORTO CALDAIA APPIA 2GR/APPIA II2GR-CC	
03003060	LEFT STEAM TAP SUPPORT APPIA II	SUPP. RUB. VAPORE SX STAMPATA APPIA II	
03003061	RIGHT STEAM TAP SUPPORT APPIA II	SUPP. RUB. VAPORE DX STAMPATA APPIA II	
03003097	RIGHT SIDE FRAME APPIA19	FIANCO DX STAMPATO TELAIO APPIA19	
03003098	LEFT SIDE FRAME APPIA19	FIANCO SX STAMPATO TELAIO APPIA19	
03003107	1GROUP PUSHBUTTON SUPPORT	LAMIERA SUPP.INVOLUCRO COMANDI 1GR. APPIA19	
03003115	1GROUP UPPER BACK FRAME SUPPORT	LAMIERA L SUP. POSTERIORE 1GR. APPIA19	
05002490	CENTRAL BOARD SUPPORT BOX APPIA19	SCATOLA SUPPORTO CENTRALINA APPIA19	
05002492	CENTRAL BOARD SUPPORT BOX COVER APPIA19	COPERCHIO SCATOLA SUPPORTO CENTRALINA APPIA19	
05002494	SWITCH SUPPORT BOX APPIA19	SCATOLA SUPPORTO TELERUTTORE APPIA19	
05002501.BV	BASE 1GR. APPIA19 - PAINTED WHITE	BASAMENTO 1GR. APPIA19 BIANCO VERNICIATO	
05002501.N	BASE 1GR. APPIA19 - BLCK	BASAMENTO 1GR. APPIA19 NERO	
05002501.NOV	BASE 1GR. APPIA19 - PAINTED MATTE BLACK	BASAMENTO 1GR. APPIA19 NERO OPACO VERN.	
05002501.RV	BASE 1GR. APPIA19 - PAINTED RED	BASAMENTO 1GR. APPIA19 ROSSO VERNICIATO	
98001006	MACHINE FOOT 06 BICOMPONENT D48H40 INSERT M10	PIEDE MACCHINA 06 BICOMPONENTE D.48 H=40 INSERTO	
R98001006	KIT-MACHINE FOOT 06 BICOMPONENT D48H40 - 2Pcs	KIT-PIEDE MACCHINA BICOMPONENTE D.48 H=40 - 2Pz	
98001008	KIT TALL FEET 2006 (4 PCS.)	KIT PIEDI ALTI 2006 (4 pz.)	

VOL



SEM



CODE	DESCRIPTION	DESCRIZIONE
04001516	Wiring VOL	Cablaggio VOL
04001511	Wiring SEM	Cablaggio SEM

**North America Market
Mercato Nord America

COD.	DESCRIPTION	DESCRIZIONE	VAL.
04000023	SUPPLY CABLE UL AWG3X16 USA PLUG SHEATH 90°C 3C	CAVO ALIM. AWG3x16 SJO 90°C 300V UL/CSA SPINA USAD	
04000126	ELECTRIC CABLE 2MT CE SCHUKO PLUG 90° 3X1,5	CAVO ELETTR. 2mt CE SPINA SCHUKO 90° 3x1,5 H05VV-F	
04000812	CABLE 14 WAY KEYPAD 2GR APPIA + SHEATH	CAVO 14 VIE COLL.PULSANTIERA 2GR APPIA + GUAINA	
R04000812	KIT-CABLE 14 WAY KEYPAD 2GR + SHEATH - 2Pcs	KIT-CAVO 14 VIE COLL.PULSANTIERA 2GR - 2Pz	
04001511	COMPLETE WIRING 1GROUP SEM VERSION	CABLAGGIO COMP. 1GR S APPIA19	
04001516	COMPLETE WIRING 1GROUP VOL VERSION	CABLAGGIO COMP. 1GR V APPIA19	
04001530	INDICATOR LIGHT D6 250V UL + FASTON M 6.3	LAMPADA SPIA D6 250V UL + FASTON M 6,3	
04060015	CABLE+PLUG AWG3x14 SJO UL/CSA 20A 250V NEMA 6-2C	CAVO ALIM. AWG3x14 SJO 90°C UL/CSA 2mt SPINA USADR	
04200007	POWER RELAY 30A 230V BIPOLAR	RELE' DI POTENZA 30A 230V BIPOLARE	
R04200007	KIT-POWER RELAY 30A 230V BIPOLAR - 1Pcs	KIT-RELE' DI POTENZA 30A 230V BIPOLARE - 1Pz	
04200009	POWER RELAY 30A 115V BIPOLAR	RELE' DI POTENZA 30A 115 V BIPOLARE	
04200012	RED FLASHING SEGNA SYSTEM UL	SEGNALATORE LUMINOSO ROSSO RETTANGOLARE UL	
04200057	DBL POWER BIPOLAR BIG SWITCH 10A UL 22X19 AURELI	INTERRUT. ACCENSIONE BIPOL. GRANDE 10A UL 22x19AL	
R04200057	KIT-DBL POWER BIPOLAR BIG SWITCH 10A UL 22X19 - 15	KIT-INTERRUT. ACCENSIONE BIPOL. GRANDE 10A UL 22x1	
04200096	STATIC RELAY 25A 250V 1OUT	RELE' STATICO 25A 250V 1out	
R04200096	KIT-STATIC RELAY 25A 250V 1OUT-1Pcs	KIT -RELE' STATICO 25A 250V 1OUT-1PZ	
04200116	BLUE LIGHT WHITE BIPOLAR SWITCH UL 16A COFFEE	INTERRUTTORE BIPOLARE LUMINOSO BIANCO RETTANG	
04200118	BLUE LIGHT WHITE BIPOLAR SWITCH UL 16A HOTWATEF	INTERRUTTORE BIPOLARE LUMINOSO BIANCO RETTANG	
04901430	UNIVERSAL CENTRAL BOARD 230V APPIA LIFE	CENTR. UNIVERSALE APPIA Life 230V	
04901431	UNIVERSAL CENTRAL BOARD 115V APPIA LIFE	CENTR. UNIVERSALE APPIA LIFE 115V	
05000083	CABLE LOCK SR 11-2 BLACK	BLOCCACAVO SR 11-2 NERO	
09000015	AUTOLEVEL CONTROL BOARD 230V	CENTRALINA AUTOLIVELLO 230V	
09000015.UL	AUTOLEVEL CONTROL BOARD UL 230V	CENTRALINA AUTOLIVELLO UL 230V	

www.nuovasimonelli.it

Simonelli Group

Via E. Betti, 1
62020 Belforte del Chienti
Macerata - Italy
T +39 07339501
info@simonelligroup.it
www.nuovasimonelli.it

Nuova Distribution Usa

6940 Salashan Pkwy, Bldg, A
Ferndale, WA 98248
T +1 3603662226
info@simonelliusa.com
www.simonelliusa.com

Nuova Simonelli Asia Pacific

61 Kaki Bukit Ave 1
#02-24 Shun Li Industrial Park
Singapore 417943
T +65 68410985
www.nuovasimonelliasiapacific.com

Nuova Distribution France

Hexapole - Actipole - Bat 5
Rue Maurice Herzog
73420 Viviers Du Lac
T +33 (0) 967894852
info@nuovadistribution.fr