



Model: **QTPTCR10-1**  
Part #: 160-52085

ITEM #: \_\_\_\_\_ QTY: \_\_\_\_\_

JOB NAME/NUMBER: \_\_\_\_\_

## Snapshot

The QTPTCR10-1 is a single-housing water treatment system with a Qwik-Twist 10" cartridge that reduces chlorine and chloramine at a flow rate of 0.5 gpm for 4,000 gallons. The QTPTCR10-1 is designed to act as a polishing filter on Reverse Osmosis (RO) permeate to remove residual chloramine where present in water supplies.



## System Benefits

- Reduces maintenance frequency and cost, and extends equipment life.
- Reduces chloramine and other off taste when used as post filter with beverage applications following an RO.
- Catalytic-carbon filtration provides added protection against chloramines that may be present in water supplies
- Utilizes Qwik-Twist cartridge that makes changing filter quick, easy, and sanitary.

## Application

**STEAM & COMBI OVENS** - For the reduction of chloramines on RO permeate.

**ESPRESSO, HOT WATER TOWERS, & COFFEE BREWERS** - For the reduction of chloramines on RO permeate.

## Installation Tips

- Feed-water connection to system should be COLD only.
- Do not exceed system specifications for temperature and pressure.
- Allow 3" clearance below system for filter housing removal and cartridge replacement.
- Detailed installation, operation and maintenance manual included with each system.
- No activation procedure or flushing required for system to perform as specified.



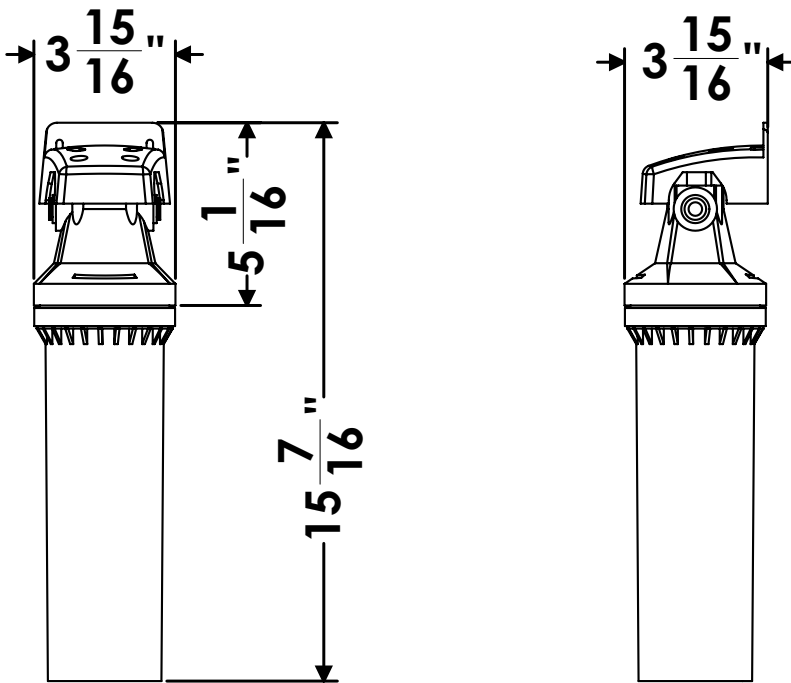
Model: **QTPTCR10-1**  
Part #: 160-52085

► Specifications

System	
Dimensions (Height x Width x Depth, Inches)	15.5" x 3.9" x 3.9"
Connection - Inlet & Outlet	3/8" PTC
Operating Pressure Range	10 - 125 psi (0.7 - 8.6 bar)
Inlet Water Temperature Range	35° - 100°F (2° - 38°C)
Shipping Weight	7 lbs.
Performance	
Chloramine and Chlorine Reduction Capacity	4,000 gals. (15,142 L)
Service Flow Rate (Chloramine Reduction)	0.5 gpm (1.9 lpm)

► Replacement Cartridge(s)

Model	Part Number	Qty
CTO-Q10CR	300-05821	1



**WARNING:**  
Cancer and Reproductive Harm - [www.P65Warnings.ca.gov](http://www.P65Warnings.ca.gov).

► Warranty

All system components and assembly except for filter cartridges, separation membranes, permeate pumps, electric motors, diaphragm pumps, and rotary vane pumps shall be warranted against defects in workmanship for a period of 60 months from the date of original shipment. For complete warranty information, contact OptiPure customer service or go to [www.optipurewater.com](http://www.optipurewater.com).

Dealer/Distributor Info:

It is recommended that pre/post-filters and mineral addition cartridges are changed every 6 months, when capacity is reached or when feedwater pressure or flow becomes inadequate.

Membrane life varies depending on feedwater conditions and pre-filter maintenance. It is 12-18 months under typical conditions, but it can be as long as 3-5 years.

This product is for commercial use only and must be installed and maintained according to manufacturer's guidelines.

Do not use on water that is microbiologically unsafe or of unknown quality without adequate disinfection before or after the system.

**OptiPure, A Division of Aquion, Inc.**  
101 S. Gary Ave., Suite A  
Roselle, IL 60172  
p: 972.881.9797 e: [info@optipure.net](mailto:info@optipure.net)  
[www.optipurewater.com](http://www.optipurewater.com)