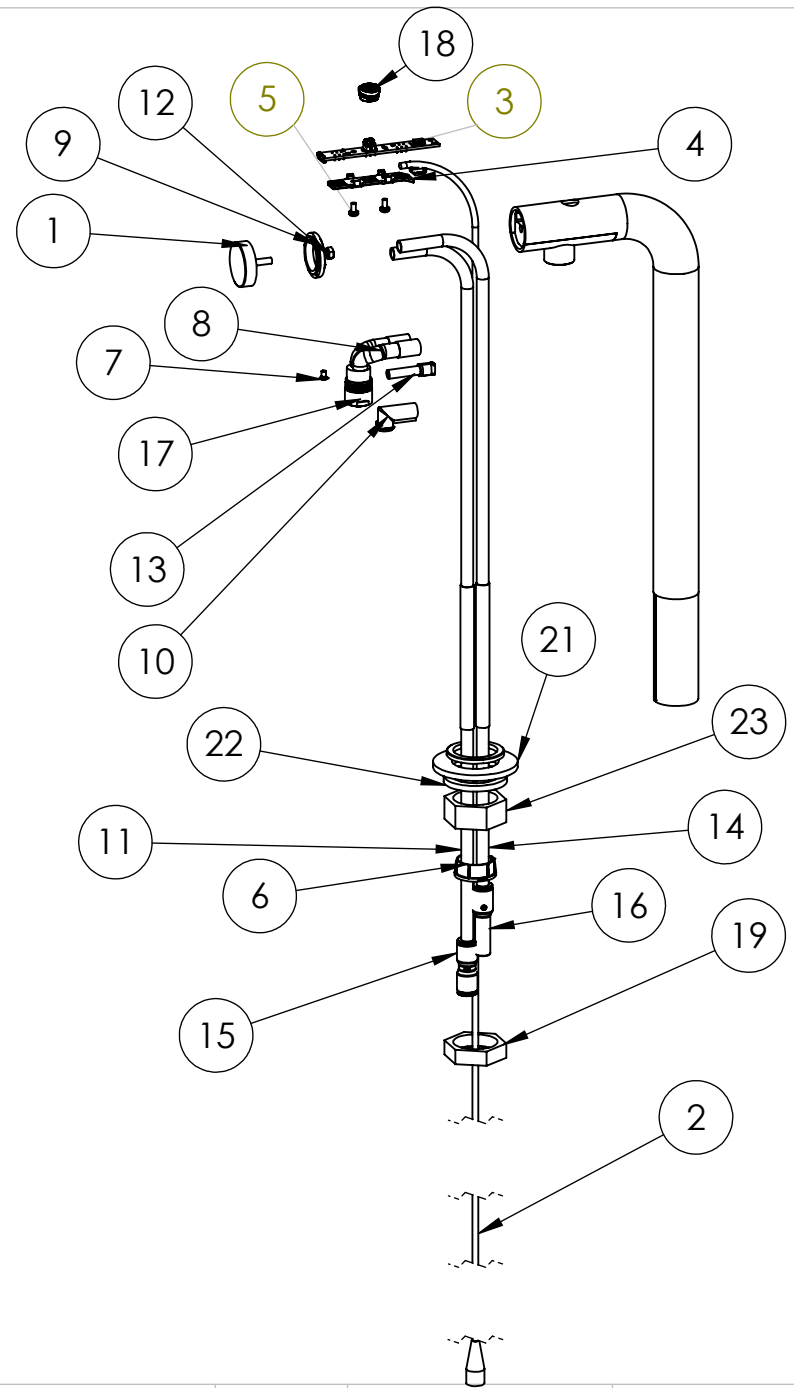


ITEM NO.	PART NUMBER	DESCRIPTION	QTY.
1	1860354	Mix Font End Cap	1
2	1501175	Harness Mix Font	1
3	1600393	FRIIA 1 Button PCB	1
4	1860357	Mix Font PCB Mount	1
5	267100	Screw M3 X 6mm	2
6	1860356	Mix Font Base Cap	1
7	1401721	Screw M3x5mm CSK slotted S/S	1
8	1860359	Mix Font Dispense Hose	1
9	1860358	Mix Font LED Ring	1
10	1860360	Mix Font Vent Outlet	1
11	1860388	FRIIA Font Vent Pipe	1
12	1401140	Nut M4 Brass	1
13	1401482	Plug Legris 6mm	1
14	1860386	FRIIA Font Hot Water Pipe	1
15	1400819	Straight Union 8mm - 8mm	1
16	1401659	Reducer Connector 8mm - 10mm	1
17	2100014	M18 Aerator (steel shroud)	1
18	1860404	FRIIA Button Spairs, Hot, Cold & Carbonated	1
19	1860413	FONT PLUG NUT	1
21	1402399	Washer S/S 31x56x4mm	1
22	1402398	Washer S/S 31x42x4mm	1
23	1860411	Mix Font Clamping Nut	1



	UNLESS OTHERWISE SPECIFIED: DIMENSIONS ARE IN MILLIMETERS TOLERANCES: LINEAR: +/-0.2mm ANGULAR: +/-0.5°	DESCRIPTION:	Una Font		DRAWN BY:	KH		18-08-2022	
		DWG NO.:	1000859		APPROVED BY:	BB		18-08-2022	
		MATERIAL:	mm		REVISION:	b	CO:	776	SCALE: