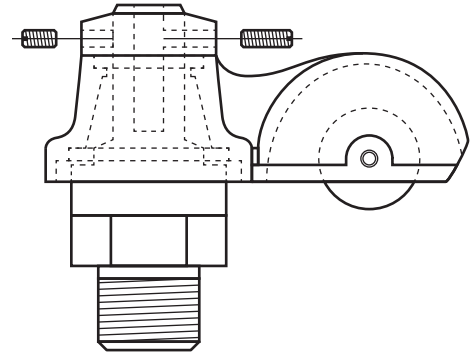
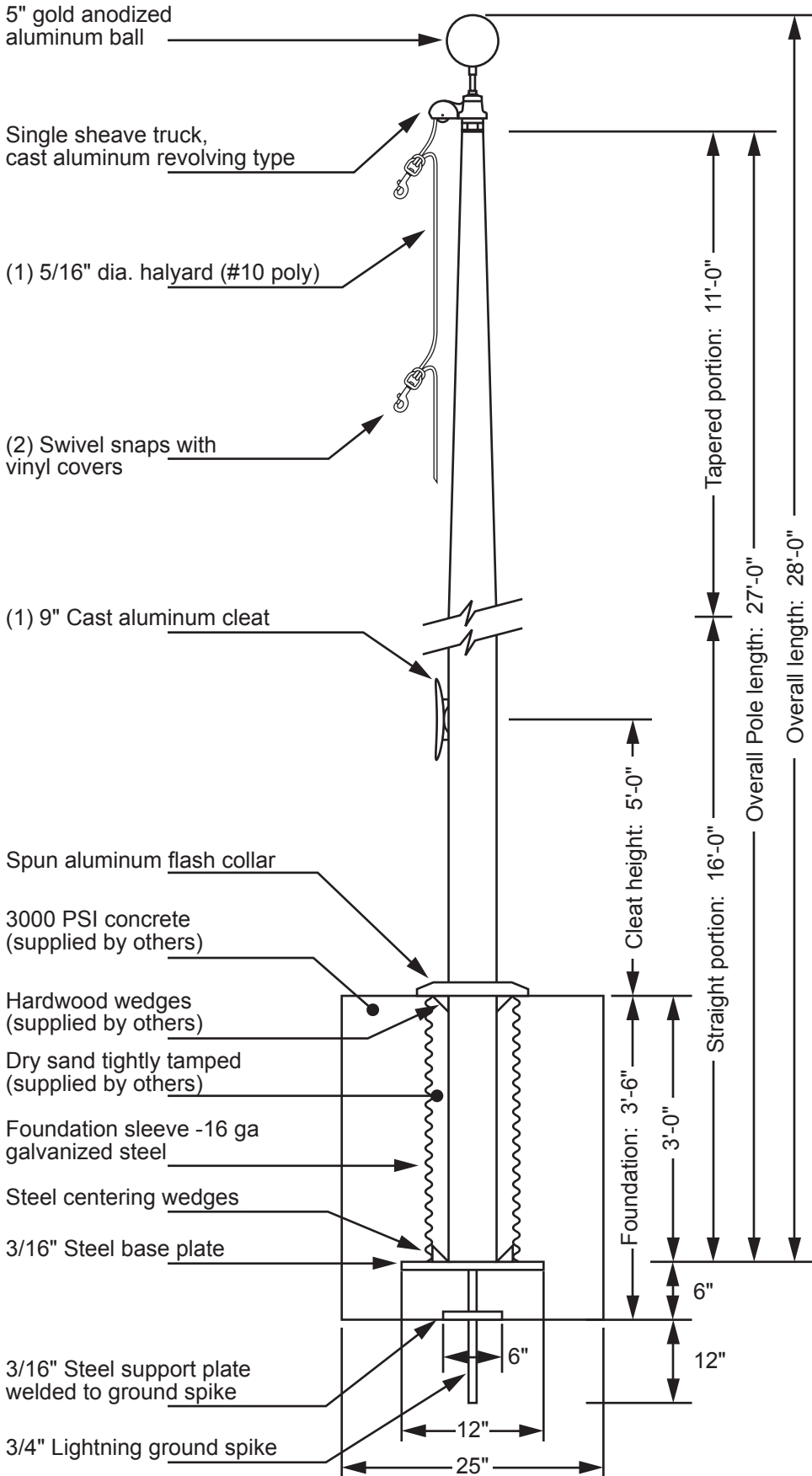



Model ECX25 - External Single Halyard



Single Sheave Truck Detail
 Revolving truck
 Cast aluminum body
 Stainless steel ball bearings
 Nylon sheave
 Cast aluminum spindle

Project:	Date:	Exposed Height __ 25'-0"	Ground Set Tapered Aluminum Flagpole ALLOY 6063T6 80 grit polish	
Location:	Job:	Overall Height __ 28'-0"		
Contractor:	Revision:	Butt Diameter __ 5"	FINISH:	
Customer:		Top Diameter __ 3"		
		Wall Thickness __ .125"		
		Ships in 1 section		