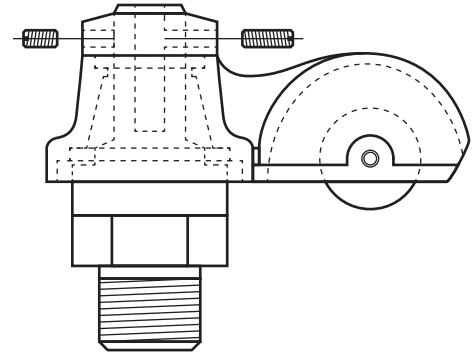
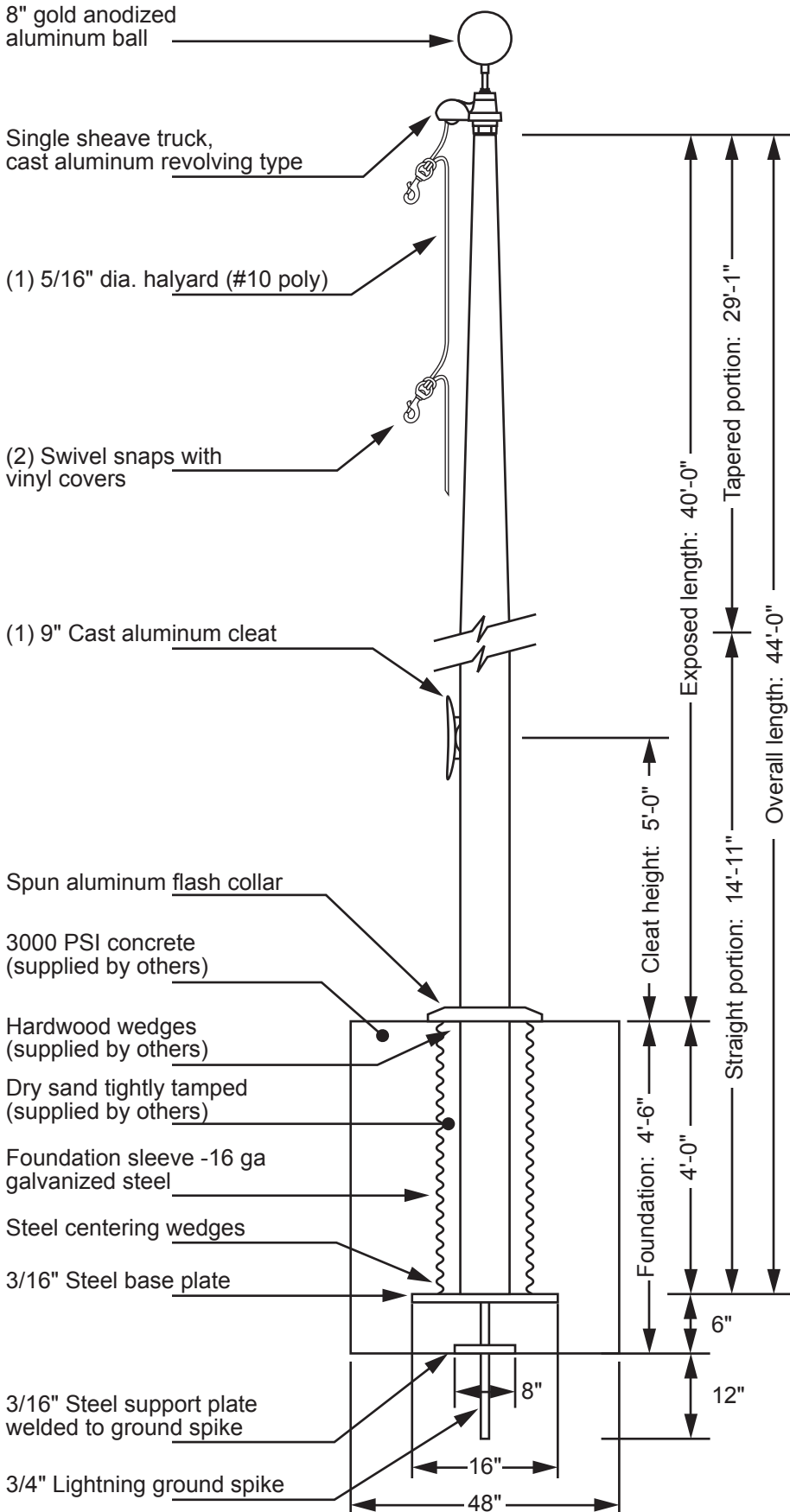


Model ECA40 - External Single Halyard

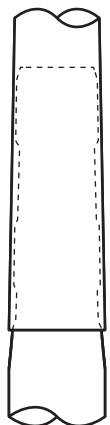


Single Sheave Truck Detail
 Revolving truck
 Cast aluminum body
 Stainless steel ball bearings
 Nylon sheave
 Cast aluminum spindle

All shafts with overall length of more than 38'-6" are shipped in multiple sections.

Each section is matched and marked for field assembly. Exposed portion of jam sleeve must be **well lubricated** prior to assembly.

1-1/2" maximum gap allowed for field fitting.



Project:	Date:	Exposed Height __ 40'-0"	Ground Set Tapered Aluminum Flagpole ALLOY 6063T6 80 grit polish	 THE LIBERTY FLAGPOLE COMPANY
Location:	Job:	Overall Height __ 44'-0"		
Contractor:	Revision:	Butt Diameter __ 8"	FINISH:	
Customer:		Top Diameter __ 3-1/2"		
		Wall Thickness __ .156"		
		Ships in 2 sections		