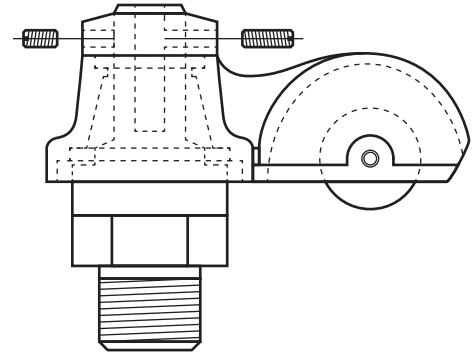
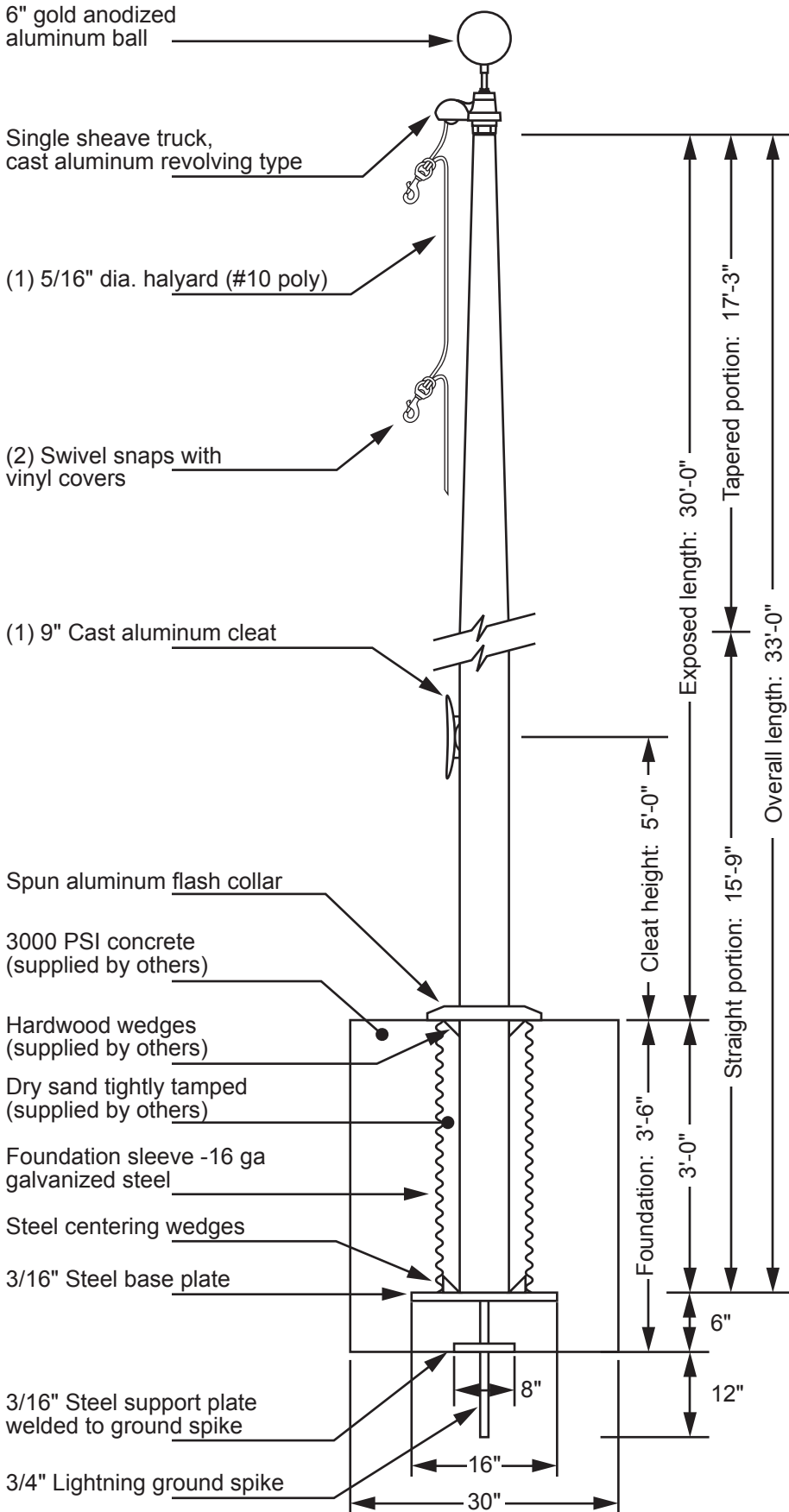


## Model ECA30 - External Single Halyard



**Single Sheave Truck Detail**  
 Revolving truck  
 Cast aluminum body  
 Stainless steel ball bearings  
 Nylon sheave  
 Cast aluminum spindle

Project:  
 Location:  
 Contractor:  
 Customer:

Date:  
 Job:  
 Revision:

Exposed Height \_\_ 30'-0"  
 Overall Height \_\_ 33'-0"  
 Butt Diameter \_\_ 6"  
 Top Diameter \_\_ 3-1/2"  
 Wall Thickness \_\_ .156"  
 Ships in 1 section

Ground Set Tapered  
 Aluminum Flagpole  
 ALLOY 6063T6  
 80 grit polish

FINISH:



**LIBERTY**  
 FLAGPOLES