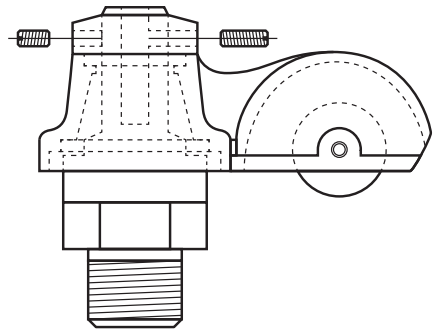
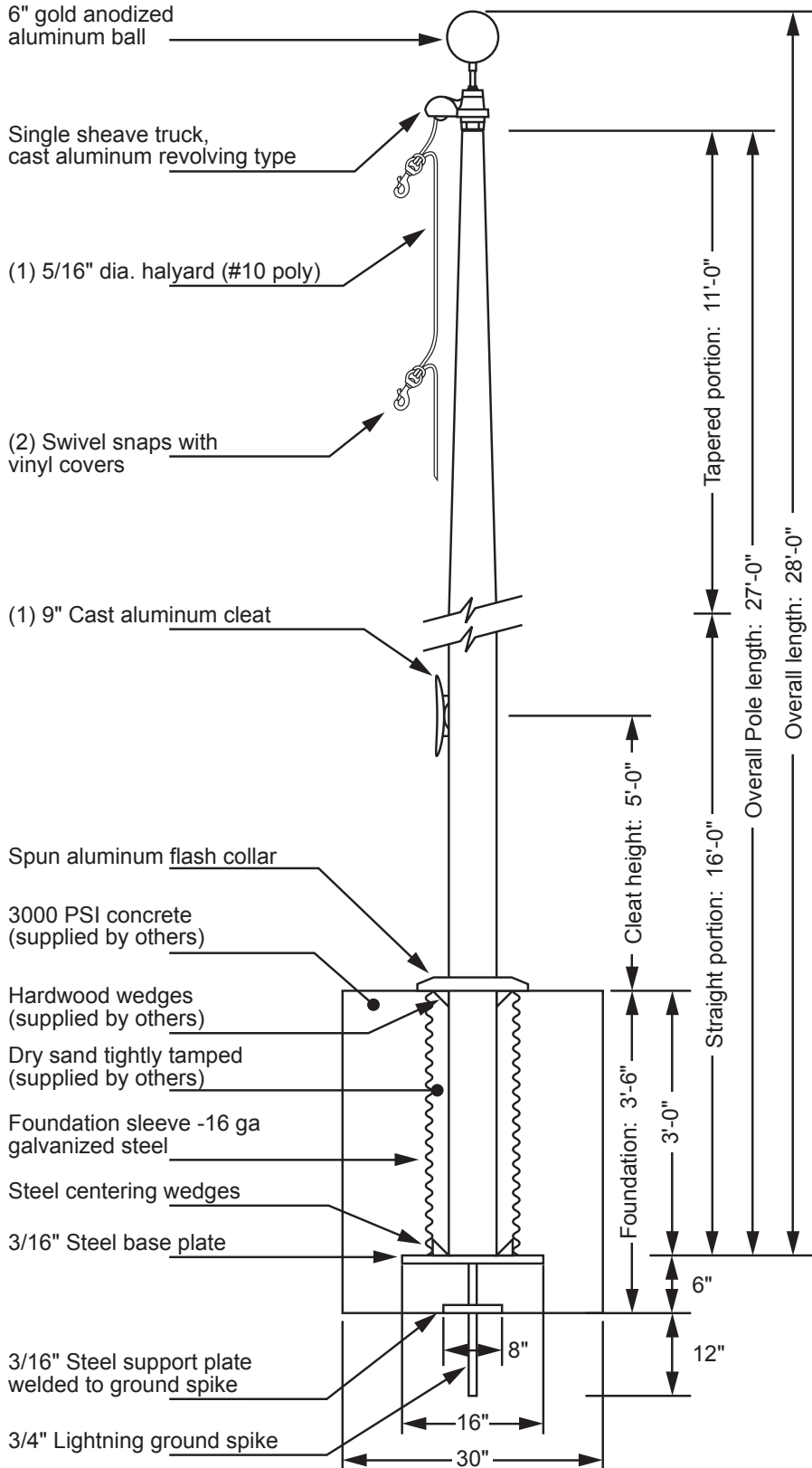



Model EC25 - External Single Halyard



Single Sheave Truck Detail

- Revolving truck
- Cast aluminum body
- Stainless steel ball bearings
- Nylon sheave
- Cast aluminum spindle

Project: Location: Contractor: Customer:	Date: Job: Revision:	Exposed Height __ 25'-0" Overall Height __ 28'-0" Butt Diameter __ 6" Top Diameter __ 3-1/2" Wall Thickness __ .188" Ships in 1 section	Ground Set Tapered Aluminum Flagpole ALLOY 6063T6 80 grit polish FINISH:	 THE LIBERTY FLAGPOLE COMPANY
---	----------------------------	--	--	--