

Thank you for choosing the
Commercial Tri-Extreme 12

LIBERTY
FLAGPOLES

www.libertyflagpoles.com

**PLEASE CHARGE YOUR
LIGHT FOR 3 DAYS
BEFORE FIRST USE**

This light is designed to mount on most commercial and residential flag poles.
Using the light allows you to properly display your flag at night.

Please read these instructions carefully before using your light.

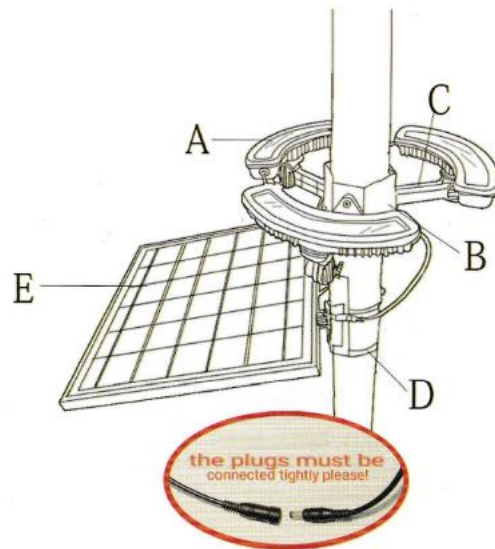
User Guide

Product Parts

- A. x3 Light heads
- B. Mount
- C. Die-cast aluminum frame
- D. Stainless round hoop
- E. Solar panel

Specifications –

- 6V 15W Solar Panel
- 12 Ultra Bright NexGen LEDs
- 3.7V 12000mAh Lithium Rechargeable Battery
- 1000 Lumens Output

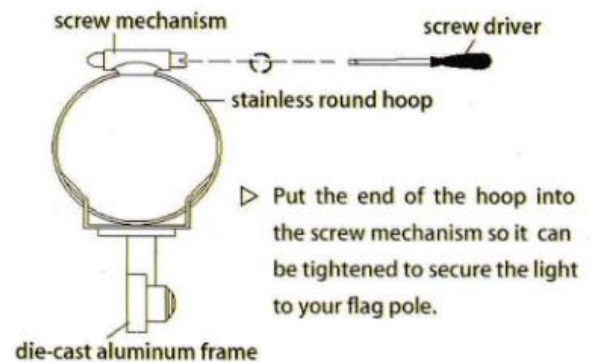


Installation directions after charging –

Check to make sure the light is working properly by turning the power switch to the ON position. Cover the solar panel, the light should turn on. If the light does not turn on, push the ON/OFF switch again and cover the solar panel. Test again. Before mounting the light on the pole, check that the light is turned to the ON position. Please note that the switch is set to the OFF position during production.

Attach the solar panel and the light head to the die-cast aluminum frame using the provided nuts and bolts. Install the hoop with mount on your flagpole.

Move the light to the desired mounting height. This will depend upon the size of your flag. Once you have moved the light to the desired height, fully tighten the hoop to secure the light to the pole.



5. Position the solar panel so it is facing the sun, the more direct sunlight the panel receives the better your light will function. The sun's position moves throughout the year, configure the solar panel so that it is aimed directly at the sun during midday, this will help you achieve the best charging opportunity for the batteries and ultimately the best performance of the light. For maximum performance, the solar panel will have to be adjusted in the spring and fall.

Please note - A poorly positioned solar panel will significantly affect the light's illumination after dark!

Changing the Batteries

- ✚ Pop the 4 corner caps that cover the screws.
- ✚ Remove the screws from each corner on the underside of the solar panel.
 - ✚ Lift the panel carefully ensuring the wires inside are not strained.
 - ✚ Remove the batteries.
- ✚ Replace with the same rechargeable battery as the original model.
 - ✚ Please recycle the old batteries.
- ✚

NOTE: Do not use other batteries than the original type, this may cause damage and voids the warranty.

Frequently Asked Questions

The light is dim or flashes

- ✚ Batteries are not fully charged or may need replacing.
- ✚ The solar panel needs bright light to recharge the batteries. Consecutive days of overcast weather may cause the batteries to lose power. If this happens the solar panel will recharge the batteries on the next bright day.
- ✚ Check for things obstructing light reaching the solar panel like over-hanging branches, fences or buildings. If there are obstructions move the unit to a location receiving better light throughout the day.
- ✚ Check to see if the solar panel is clean. A dirty solar panel will not let the batteries fully charge. This will shorten the life of the batteries and stop the light from operating. Clean the solar panel regularly with damp cloth.
- ✚

How long will the light illuminate my FLAG?

The length of time the light is illuminated is dependent upon several factors. The season, weather conditions and the location where you live (geographically) all affect the ability of the solar panel to charge the batteries. Which in turn, will directly affect the duration of illumination. During most months, there is enough sunlight to recharge the batteries on a daily basis. The brighter and sunnier the day, the better your batteries will charge and ultimately illuminate the flag. When fully charged, the light should illuminate for close to 12 hours.

sales@libertyflagpoles.com