

**Attention:**

This operator's manual should be read carefully before using the rifle!

**Important measures when using arms:**

All firearms are dangerous objects, they should be used and stored with utmost caution! Always treat an unloaded weapon as if it was loaded. Never put your finger on the trigger, except when actually firing a shot. Always ensure that the weapon is pointing in a safe direction. Keeping the weapon in perfect condition ensures safety.

**Weapons always have to be stored out of the reach of unauthorised persons.**

**Approved hearing and eye protection has to be used when shooting.**

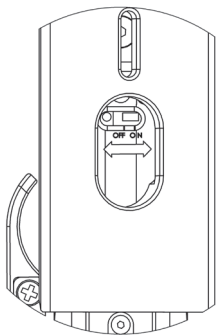
## TABLE OF CONTENTS

|           |  |           |
|-----------|--|-----------|
| <b>1</b>  | <b>TECHNICAL DATA .....</b>                                  | <b>48</b> |
| <b>2</b>  | <b>READINESS OF THE ELECTRONIC UNIT .....</b>                | <b>49</b> |
| <b>3</b>  | <b>COCKING, LOADING AND SHOOTING .....</b>                   | <b>50</b> |
| <b>4</b>  | <b>SIGHT ADJUSTMENT .....</b>                                | <b>51</b> |
| <b>5</b>  | <b>TRIGGER ADJUSTMENT .....</b>                              | <b>52</b> |
| 5.1       | First stage travel adjustment .....                          | 53        |
| 5.2       | First stage weight and single stage trigger adjustment ..... | 54        |
| 5.3       | Second stage weight adjustment .....                         | 55        |
| 5.4       | Trigger blade adjustment .....                               | 56        |
| <b>6</b>  | <b>MUZZLE VELOCITY .....</b>                                 | <b>57</b> |
| <b>7</b>  | <b>DRY FIRING MECHANISM .....</b>                            | <b>58</b> |
| <b>8</b>  | <b>ADJUSTING THE STOCK .....</b>                             | <b>59</b> |
| 8.1       | Adjusting front stock .....                                  | 59        |
| 8.1.1     | Adjusting front stock Bench Rest .....                       | 60        |
| 8.2       | Cheek piece adjustment .....                                 | 61        |
| 8.3       | But plate adjustment .....                                   | 63        |
| 8.4       | Pitch adjustment .....                                       | 64        |
| <b>9</b>  | <b>ADJUSTING THE GRIP .....</b>                              | <b>65</b> |
| <b>10</b> | <b>REPLACING AND REFILLING THE CYLINDER .....</b>            | <b>66</b> |
| <b>11</b> | <b>ASSEMBLY AND DISASSEMBLY .....</b>                        | <b>67</b> |
| <b>12</b> | <b>CLEANING AND CARE .....</b>                               | <b>68</b> |
| <b>13</b> | <b>GUARANTEE CLAUSES .....</b>                               | <b>68</b> |
| <b>14</b> | <b>PART LIST STEYR CHALLENGE E .....</b>                     | <b>70</b> |
| <b>15</b> | <b>PART LIST STEYR CHALLENGE .....</b>                       | <b>75</b> |
| <b>16</b> | <b>PART LIST STEYR CHALLENGE E BR .....</b>                  | <b>80</b> |
| <b>17</b> | <b>PART LIST STEYR CHALLENGE BR .....</b>                    | <b>85</b> |

## 1 TECHNICAL DATA

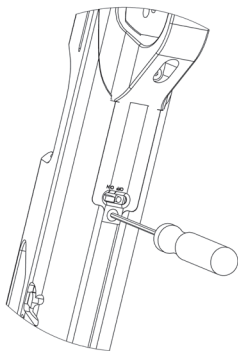
|                               |   |
|-------------------------------|---|
| Caliber .....                 | 4,5 mm (.177)   |
| Overall height .....          | 170 mm (without sight)  |
| Overall length .....          | 1.120 mm – 1.160 mm   |
| Overall width .....           | max. 58 mm  |
| Sight length .....            | 750 mm – 890 mm Challenge<br>730 mm – 920 mm Bench Rest   |
| Barrel length .....           | 450 mm  |
| Total weight .....            | appr. 4.400 g Challenge<br>without additional weights   appr. 5.000 g Bench Rest<br>and sight heights |
| Maximum filling pressure ..   | 200 bar   |
| Power max. ....               | 7,5 Joule   |
| Electronic power supply ..... | 2 standard 1,5 V AAA alkaline cells   |

## 2 READINESS OF THE ELECTRONIC UNIT (CHALLENGE E)



Switch rifle to ON, the red LED at the ON/OFF-switch flashes once. If this is not the case, the batteries have to be changed.

The CHALLENGE E is equipped with two high-quality alkaline cells. If the weapon is not turned off after usage, the batteries loose voltage more quickly and need to be changed sooner.



To change the batteries, simply remove the battery cover on the bottom of the housing by loosening the screw (fig.). Positioning of the batteries as shown on the bottom of the battery case.

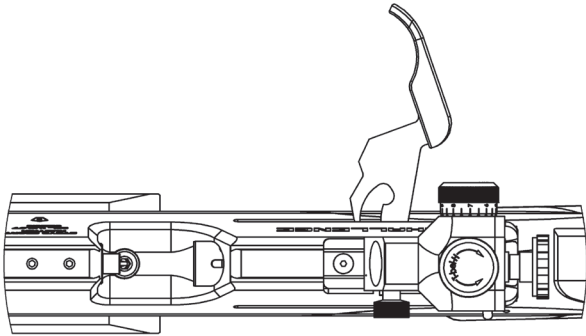
### **ATTENTION:**

Only change batteries when electronic is switched off and weapon is unloaded.

Used batteries have to be disposed of in accordance with the laws of the respective country.

### 3 COCKING, LOADING AND SHOOTING

Pull back the cocking lever all the way to the rear, this cocks the rifle and opens the loading port of the barrel. Insert a pellet and fully close the cocking lever handle. The rifle is ready for firing.



**NOTE:** Weapons are also available with left-hand cocking lever!

## 4 SIGHT ADJUSTMENT

The setscrews have to be turned on the rear sight as follows:

- |           |   |   |
|-----------|---|---|
| High hit  | – | turn height-adjusting knob direction H  |
| Low hit   | – | turn height-adjusting knob direction T  |
| Right hit | – | turn side-adjusting knob in direction R |
| Left hit  | – | turn side-adjusting knob in direction L |

1 click will change the point of impact by 0.3mm at 10 metres. Therefore 10 clicks will move the point of impact one complete ring on the target. The length of sight is individually adjustable by moving the rear sight and front sight tunnel. The rear and front sight are adjustable for lateral offset and height due to different distance discs. In addition it can be moved laterally up to 7 mm.

**PLEASE NOTE: If adjustments of front and rear sight heights are at the maximum of 60 mm (middle of front sight to middle of barrel) the riser blocks of rear sight must be 2.75 mm (smallest additional disc) higher than front sight!**

**PLEASE NOTE: You must use the right length of screw, if too long of a screw is used, then surface of the housing will be damaged!**

## 5 TRIGGER ADJUSTMENT

**PLEASE NOTE:** Before making any changes on the trigger, ensure that the weapon is unloaded!

The trigger has the following individual adjustments:

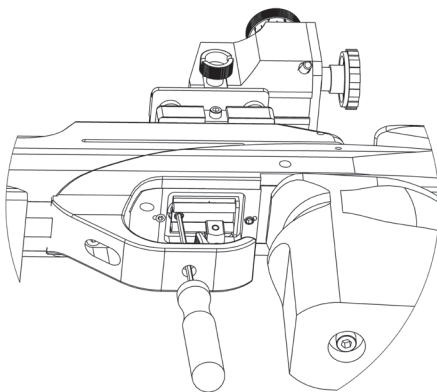
- First stage travel adjustment
- First stage weight and single stage trigger adjustment
- Second stage weight adjustment
- Trigger blade adjustment



## 5.1 First stage travel adjustment

Turning the screw clockwise  
= shorter first stage travel

Turning the screw counter-clockwise  
= longer first stage travel

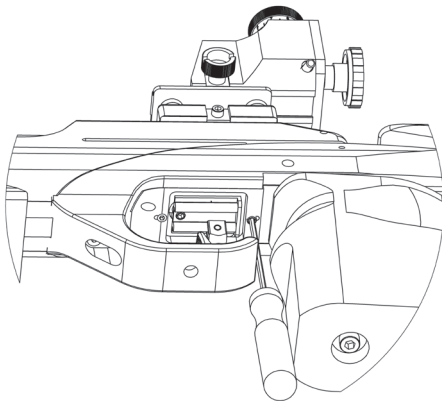


## 5.2 First stage weight and single stage trigger adjustment

Turning the screw clockwise  
= higher first stage pressure

Turning the screw counter-clockwise  
= lower first stage pressure

To get a single stage trigger, turn the screw counter-clockwise completely until first stage pressure is equal to zero.

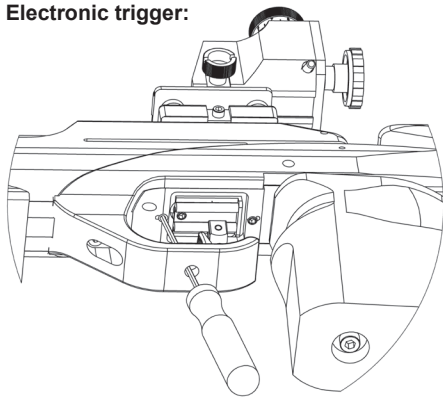


### 5.3 Second stage weight adjustment

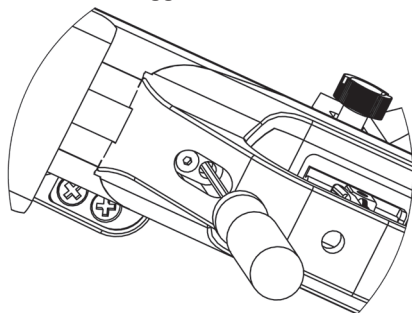
Turning the screw clockwise  
= heavier second stage pull

Turning the screw anti-clockwise  
= lighter second stage weight.

**Electronic trigger:**



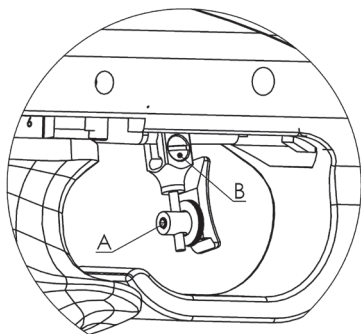
**Mechanical trigger:**



## 5.4 Trigger blade adjustment

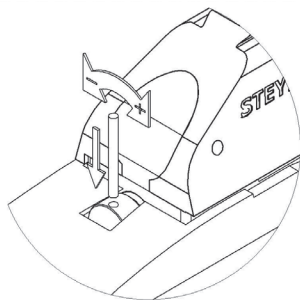
Loosen countersunk screw A, the trigger blade may be moved in height and rotated.

Loosen countersunk screw B, the trigger blade may be moved longitudinally and can be angled.



## 6 MUZZLE VELOCITY

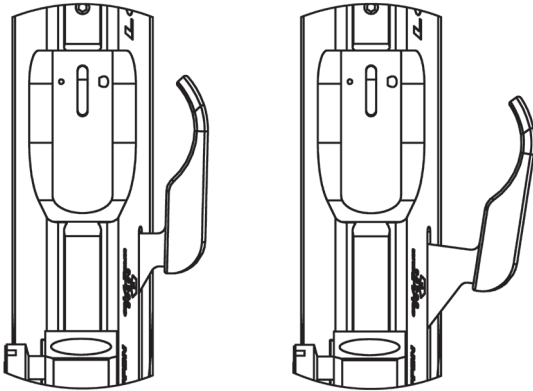
The muzzle velocity can be finely adjusted to any ammunition by turning the velocity screw as shown on the illustration.



## 7 DRY FIRING MECHANISM

### a) Conventional dry firing (mechanical trigger)

The cocking lever handle is pulled backwards to the stop and then be moved forward again until the first resistance is felt. If the rifle already cocked, the dry firing mechanism can be used by opening the cocking lever only.



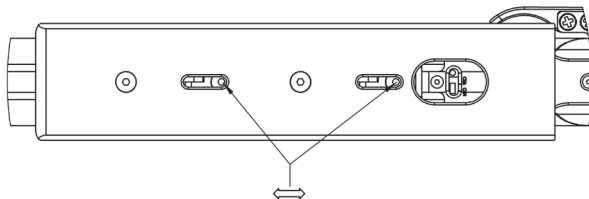
### b) Dry firing with electronic trigger

Switch on the electronic unit. The system does not need to be cocked for dry firing. Make sure that the weapon is not loaded. Trigger can be tested for real shooting with the cocking lever fully closed.

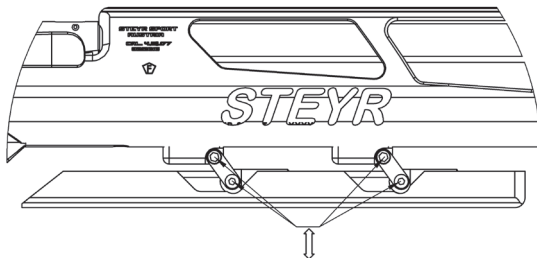
## 8 ADJUSTING THE STOCK

### 8.1 Adjusting front stock (not for Bench Rest version)

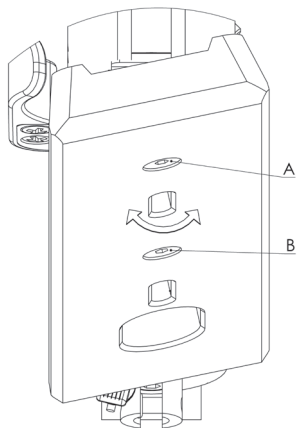
The front-stock can be moved in length by opening the screw.



The front-stock can be moved in height and can be angled by opening the four screws.

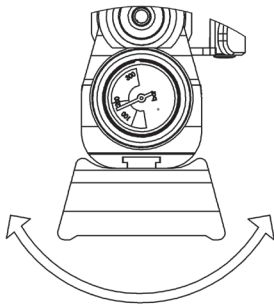


The front-stock can be angled by opening screw A + B.



### 8.1.1 Adjusting front stock Bench Rest

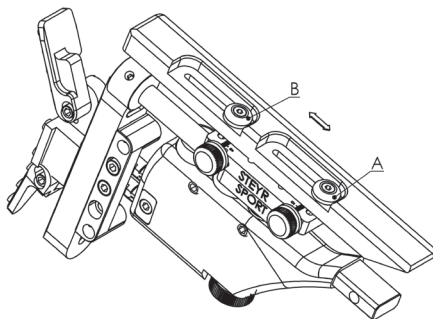
The front stock of the BR-model can be tilted to rest perfectly on the bench.



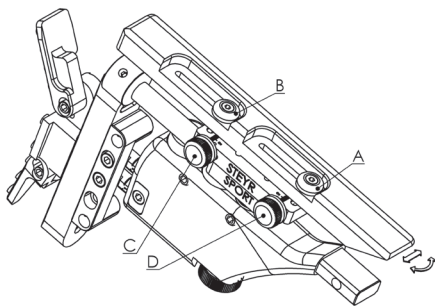


## 8.2 Cheek piece adjustment

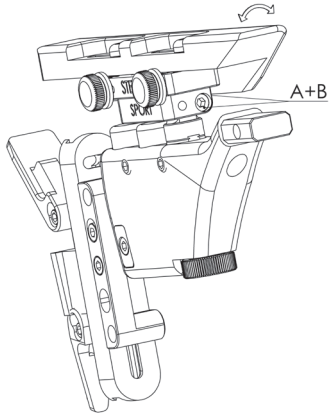
Screw A + B allows the cheek piece to be moved in length.



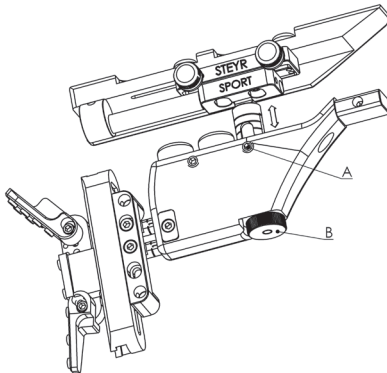
The cheek piece can be moved laterally and turned with the knurled screws C + D.



Loosening screw A + B, the cheek piece can be angled.

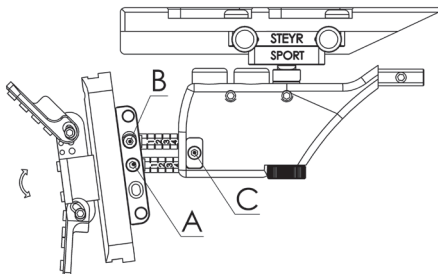


After loosening screw A the cheek piece can be adjusted in height with the knurled screw B.

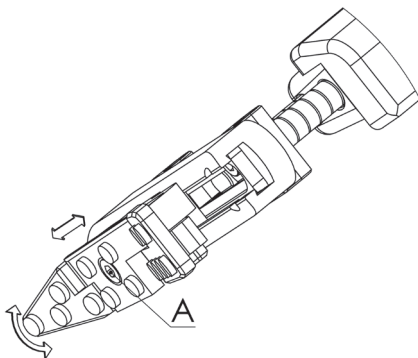


### 8.3 But plate adjustment

Screw C allows the butt plate to be moved in length. Loosening Screws A + B the but plate can be angled.

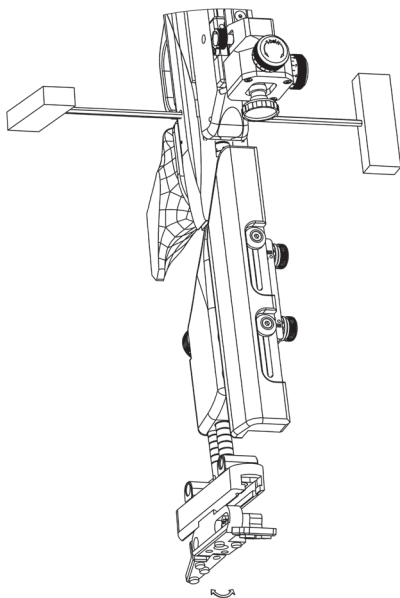


Loosening the screw A the but plate can be adjusted in height and can be angled. By shortening or completely removing the rubber inserts, precise adjustment of the butt plate can be achieved.



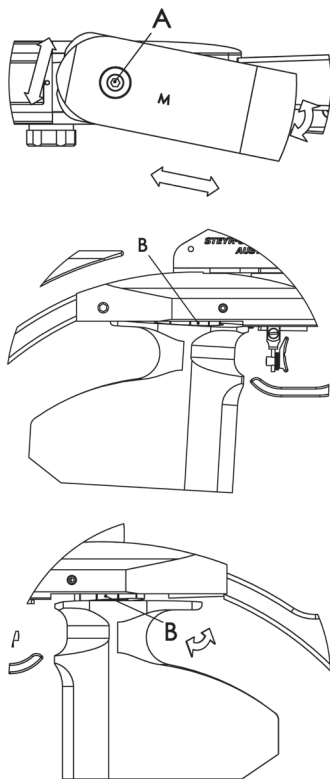
## 8.4 Pitch adjustment

By loosening screws, the angle of the rear stock can be adjusted.



## 9 ADJUSTING THE GRIP

The grip can be moved in length by loosening screw A, turned and moved laterally. Additionally with grip set disc B the grip can be adjusted in angle. The grip set disc is fixed with a screw which has to be loosened before the grip set disc can be adjusted.



## 10 REPLACING AND REFILLING THE COMPRESSED-AIR CYLINDER

Compressed-air cylinders must be emptied and safely disposed of 10 years after production date. The legal requirements and rules of the respective country must be adhered to.

The compressed-air cylinder may be unscrewed and removed at any time without being emptied.

**WARNING! Do not tamper with compressed-air cylinder and valve. It may cause injury!**

The compressed-air cylinder is to be charged with a maximum filling pressure of 200 bar.

For recharging the cylinder proceed as follows:

- either mount the compressed-air cylinder on a recharging bottle
- or mount the compressed-air cylinder on a hand pump
- or mount the compressed-air cylinder on a compressor

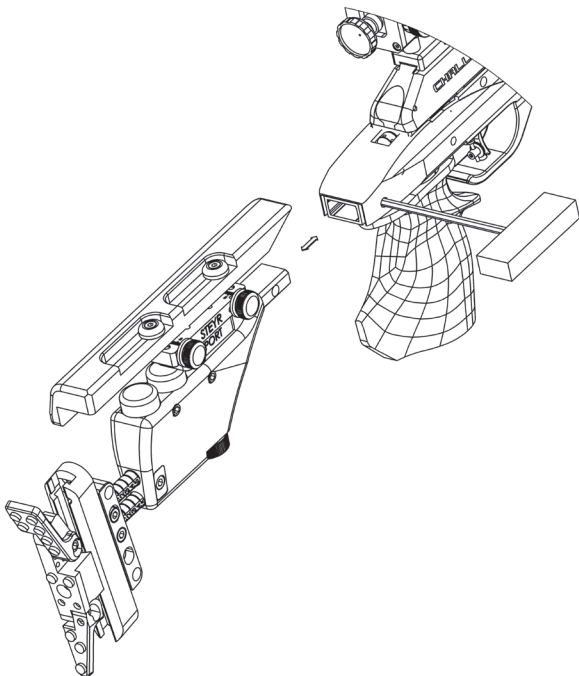
(See also the FAQ Site at [www.steyr-sport.com](http://www.steyr-sport.com))

## 11 ASSEMBLY AND DISASSEMBLY (for Connect versions only)

Knocked down to 2 parts, the CHALLENGE Connect can easily be transported.

### Assembly:

Insert the rear stock up to the stop of the stock and lock with Allen key.



## 12 CLEANING AND CARE

In standard use the weapon operates maintenance-free and no oiling is required.

To clean the barrel shoot some dry (not greased) felt pellets through the barrel (available at your dealer).

## 13 GUARANTEE CLAUSES

If within two years from the day of purchase any cracks or breaks should occur on this weapon that are due to material failure we undertake repair the defective parts free of charge (except breakage or cracking of the stock or O-rings).

Guarantee will be given by either replacing or repairing the weapon or parts of it at our sole discretion. **The guarantee is only valid if the fully completed guarantee card is returned immediately after purchasing the weapon.**

**No guarantee claims will be accepted by the STEYR SPORT GmbH if:**

- a) the weapon has been damaged or destroyed by force majeure or environmental influences.
- b) in case of damages/defects having been caused by improper treatment, or handling or by lack of care.
- c) if the weapon has been repaired, machined or altered by any person or workshop other than an authorised STEYR SPORT GmbH workshop.



**Claims for damages and product liability:**

No claims for direct or indirect damages will be accepted.

Liability for material damages resulting from the product liability law, (PHG) as well as any product liability claims that could be derived from other provisions are excluded.

The object of purchase warrants only that type of safety which may be expected in accordance with the homologation rules, service manual, manufacturer's instructions as well as any other pertinent information received.

The above clauses govern the full customer/manufacturer relationship with our company. Any additional claims, in particular for any kind of damages or losses caused by the weapon or its use, are excluded.

**Guaranteed STEYR SPORT accuracy:**

Our barrels are made from high quality barrel steel and are produced according to the latest findings in barrel production technology. Our weapons are well known for their outstanding accuracy. However, the accuracy of a weapon depends on several factors; one of the most important factors is the ammunition used. Not every ammunition „fits“ every barrel equally good.

If you follow our suggestion, we guarantee that you will achieve outstanding accuracy with your new product.

To check precision with a clamped weapon, it is advisable to clamp the weapon around the area of the massive housing.

## 14 PARTS LIST STEYR CHALLENGE E

| Item | Designation              |
|------|--------------------------|
| 1    | Housing Challenge        |
| 2    | Weight cam               |
| 3    | Catch rod                |
| 4    | Trigger carrier          |
| 5    | Trigger unit             |
| 6    | Sear                     |
| 7    | Additional weight        |
| 8    | Contact                  |
| 9    | Pressure spring          |
| 10   | Pressure spring D-177    |
| 11   | Slotted set screw        |
| 12   | O-Ring                   |
| 13   | Clamping screw           |
| 14   | Safety lever             |
| 15   | Striker                  |
| 16   | Trigger blade            |
| 17   | Trigger pin              |
| 18   | Slotted set screw        |
| 19   | Slotted set screw        |
| 20   | Fillister head screw     |
| 21   | Bellview washer          |
| 22   | Trigger mount complete   |
| 23   | Contact retainer         |
| 24   | O-Ring                   |
| 25   | Pressure spring          |
| 26   | Adapter                  |
| 27   | Rubber screw lock        |
| 28   | Velocity screw           |
| 29   | Draw spring              |
| 30   | Slotted set screw        |
| 31   | Torsion spring           |
| 32   | O-Ring                   |
| 33   | Paralell pin             |
| 34   | Paralell pin             |
| 35   | Spring-type straight pin |
| 36   | STARLOCK disc            |
| 37   | Slotted set screw        |
| 38   | Washer                   |

| <b>Item</b> | <b>Designation</b>          |
|-------------|-----------------------------|
| 39          | Pressure spring             |
| 40          | Valve complete              |
| 41          | Rocker                      |
| 42          | Countersunk screw           |
| 43          | Bolt                        |
| 44          | Bolt axle complete          |
| 45          | Stabilizer                  |
| 46          | Catch Lever                 |
| 47          | Ball 2.0 mm                 |
| 48          | Drag ring                   |
| 49          | Pressure spring             |
| 50          | Slotted set screw           |
| 51          | O-Ring                      |
| 52          | Paralell pin                |
| 53          | O-Ring                      |
| 55          | Sealing disc                |
| 56          | Barrel 4.5 mm / .177 450 mm |
| 57          | Steel ball                  |
| 58          | Electronic board air rifle  |
| 59          | Battery cover               |
| 60          | Countersunk screw           |
| 61          | Grip rod mount              |
| 62          | Paralell pin                |
| 63          | Grip locking rod            |
| 64          | Paralell pin                |
| 65          | Slotted set screw           |
| 66          | Slotted set screw           |
| 67          | Allen head cap screw        |
| 68          | Ball bearing air pistol     |
| 69          | STARLOCK disc               |
| 70          | Washer                      |
| 71          | Allen head cap screw        |
| 74          | Butt plate weight           |
| 75          | Slotted set screw           |
| 76          | Cheek piece carrier         |
| 77          | Weight bar                  |
| 78          | Paralell pin                |
| 81          | Slotted set screw           |
| 82          | Stock carrier               |
| 83          | Cheek piece screw           |
| 84          | Disc spring                 |

| <b>Item</b> | <b>Designation</b>      |
|-------------|-------------------------|
| 85          | Thumbscrew              |
| 86          | Slotted set screw       |
| 87          | Butt plate rod          |
| 88          | Clamp piece Cheek piece |
| 89          | Butt plate retainer     |
| 90          | Washer                  |
| 91          | Slotted set screw       |
| 92          | Allen head cap screw    |
| 93          | Butt plate              |
| 94          | Sleeve                  |
| 95          | Slotted set screw       |
| 96          | Stock weight            |
| 97          | Cheek piece rod         |
| 98          | Allen head cap screw    |
| 99          | Washer                  |
| 100         | Allen head cap screw    |
| 101         | Cheek piece plate       |
| 102         | Parallel pin            |
| 103         | Pressure spring         |
| 104         | Ball                    |
| 105         | Sliding block           |
| 106         | Thumbscrew              |
| 107         | Washer                  |
| 108         | Allen head cap screw    |
| 109         | Slotted set screw       |
| 110         | Clamping piece          |
| 111         | Cheek piece Challenge   |
| 114         | Allen head cap screw    |
| 116         | Countersunk screw       |
| 117         | Bolt cover              |
| 119         | Slotted set screw       |
| 120         | Washer                  |
| 121         | Plastic front sight     |
| 122         | Front sight set screw   |
| 123         | Front sight tunnel      |
| 125         | Srew                    |
| 126         | Clamp piece             |
| 127         | Pin                     |
| 130         | Fore arm                |
| 131         | Countersunk screw       |
| 132         | Front arm carrier       |

| <b>Item</b> | <b>Designation</b>               |
|-------------|----------------------------------|
| 133         | Base                             |
| 134         | Clamp piece                      |
| 135         | Washer                           |
| 136         | Pressure spring                  |
| 137         | Clamp piece                      |
| 138         | Allen head cap screw             |
| 153         | O-Ring                           |
| 156         | Cocking lever                    |
| 157         | Cocking lever handle right       |
| 158         | Countersunk screw                |
| 159         | Grip Challenge                   |
| 160         | Pistol grip angle adjusting disc |
| 161         | Stock bracket                    |
| 162         | Clamp piece                      |
| 164         | Slotted set screw                |
| 166         | Stock cover E                    |
| 167         | Barrel cover                     |
| 171         | Slotted set screw                |
| 172         | Sight carrier Challenge          |
| 173         | Allen head cap screw             |
| 177         | O-Ring                           |
| 178         | O-Ring                           |
| 179         | Ball bearing                     |
| 180         | Cocking lever roller             |
| 181         | Bolt axle                        |
| 182         | Roller                           |
| 183         | Countersunk screw                |
| 184         | Countersunk screw                |
| 185         | Pressure spring                  |
| 186         | Washer                           |
| 187         | Slotted set screw                |
| 189         | Allen head cap screw             |
| 202         | Washer                           |

### **Subunits**

|     |   |
|-----|---|
| 3,1 | Bolt complete                             |
| 5,1 | Trigger unit electronic complete          |
| 6,1 | Pistol grip angle adjusting disc complete |
| 7,1 | Additional weight complete                |
| 7,5 | Cheek piece weight complete               |

| <b>Item</b> | <b>Designation</b>                |
|-------------|-----------------------------------|
| 7,6         | Butt plate weight complete        |
| 8,1         | Pressure reducing valve complete  |
| 9,1         | Compressed air cylinder complete  |
| 17,1        | Front sight tunnel complete       |
| 17,2        | Front sight tunnel mounted        |
| 18,1        | Sight riser complete              |
| 19,1        | Diopter                           |
| 22,1        | Trigger blade complete            |
| 25,1        | Cocking lever complete right      |
| 34,1        | Barrel cover complete             |
| 34,2        | Muzzle extension Challenge compl. |
| 34,3        | Barrel cover mounted              |
| 38,1        | Filling Adapter complete          |
| 44          | Bolt axle complete                |
| 55,1        | Sealing disc complete             |
| 58,1        | Electronic board complete         |
| 58,2        | Electronic coil mounted           |
| 58,3        | Hammer mounted                    |
| 82,1        | Stock complete                    |
| 100,1       | Cheek piece complete              |
| 130,1       | Fore arm complete                 |

## 15 PARTS LIST STEYR CHALLENGE

| Item | Designation              |
|------|--------------------------|
| 1    | Housing Challenge        |
| 2    | Weight cam               |
| 3    | Catch rod                |
| 4    | Trigger carrier          |
| 5    | Trigger unit             |
| 6    | Sear                     |
| 7    | Additional weight        |
| 8    | Slotted set screw        |
| 9    | Pressure spring          |
| 10   | Pressure spring          |
| 11   | Slotted set screw        |
| 12   | O-Ring                   |
| 13   | Clamping screw           |
| 14   | Safety lever             |
| 15   | Striker                  |
| 16   | Trigger blade            |
| 17   | Trigger pin              |
| 18   | Slotted set screw        |
| 19   | Slotted set screw        |
| 20   | Fillister head screw     |
| 21   | Bellview washer          |
| 22   | Trigger mount complete   |
| 23   | Slotted set screw        |
| 24   | O-Ring                   |
| 25   | Pressure spring          |
| 26   | Adapter                  |
| 27   | Rubber screw lock        |
| 28   | Velocity screw           |
| 29   | Draw spring              |
| 30   | Draw spring              |
| 31   | Torsion spring           |
| 32   | O-Ring                   |
| 33   | Paralell pin             |
| 34   | Paralell pin             |
| 35   | Spring-type straight pin |
| 36   | STARLOCK disc            |
| 37   | Slotted set screw        |
| 38   | Washer                   |

| <b>Item</b> | <b>Designation</b>          |
|-------------|-----------------------------|
| 39          | Pressure spring             |
| 40          | Valve complete              |
| 42          | Countersunk screw           |
| 43          | Bolt                        |
| 44          | Bolt axle complete          |
| 45          | Stabilizer                  |
| 46          | Catch Lever                 |
| 47          | Ball 2.0 mm                 |
| 48          | Drag ring                   |
| 49          | Pressure spring             |
| 50          | Slotted set screw           |
| 51          | O-Ring                      |
| 52          | Paralell pin                |
| 53          | O-Ring                      |
| 55          | Sealing disc                |
| 56          | Barrel 4.5 mm / .177 450 mm |
| 57          | Steel ball                  |
| 59          | Battery cover               |
| 60          | Countersunk screw           |
| 61          | Grip rod mount              |
| 62          | Paralell pin                |
| 63          | Grip locking rod            |
| 67          | Allen head cap screw        |
| 71          | Allen head cap screw        |
| 74          | Butt plate weight           |
| 75          | Slotted set screw           |
| 76          | Cheek piece carrier         |
| 77          | Weight bar                  |
| 80          | Slotted set screw           |
| 81          | Slotted set screw           |
| 82          | Stock carrier               |
| 83          | Cheek piece screw           |
| 84          | Disc spring                 |
| 85          | Thumbscrew                  |
| 86          | Slotted set screw           |
| 87          | Butt plate rod              |
| 88          | Clamp piece Cheek piece     |
| 89          | Butt plate retainer         |
| 90          | Washer                      |
| 91          | Slotted set screw           |
| 92          | Allen head cap screw        |



| <b>Item</b> | <b>Designation</b>    |
|-------------|-----------------------|
| 93          | Butt plate            |
| 94          | Sleeve                |
| 95          | Slotted set screw     |
| 96          | Stock weight          |
| 97          | Cheek piece rod       |
| 98          | Allen head cap screw  |
| 99          | Washer                |
| 100         | Allen head cap screw  |
| 101         | Cheek piece plate     |
| 102         | Parallel pin          |
| 103         | Pressure spring       |
| 104         | Ball                  |
| 105         | Sliding block         |
| 106         | Thumbscrew            |
| 107         | Washer                |
| 108         | Allen head cap screw  |
| 109         | Slotted set screw     |
| 110         | Clamping piece        |
| 111         | Cheek piece Challenge |
| 114         | Allen head cap screw  |
| 116         | Countersunk screw     |
| 117         | Bolt cover            |
| 119         | Slotted set screw     |
| 120         | Washer                |
| 121         | Plastic front sight   |
| 122         | Front sight set screw |
| 123         | Front sight tunnel    |
| 125         | Srew                  |
| 126         | Clamp piece           |
| 127         | Paralell pin          |
| 130         | Fore arm              |
| 131         | Countersunk screw     |
| 132         | Front arm carrier     |
| 133         | Base                  |
| 134         | Clamp piece           |
| 135         | Washer                |
| 136         | Pressure spring       |
| 137         | Clamp piece           |
| 138         | Clamp piece           |
| 153         | O-Ring                |
| 156         | Cocking lever         |

| <b>Item</b> | <b>Designation</b>               |
|-------------|----------------------------------|
| 157         | Cocking lever handle right       |
| 158         | Countersunk screw                |
| 159         | Grip Challenge                   |
| 160         | Pistol grip angle adjusting disc |
| 161         | Stock bracket                    |
| 162         | Clamp piece                      |
| 164         | Slotted set screw                |
| 166         | Stock cover E                    |
| 167         | Barrel cover                     |
| 171         | Slotted set screw                |
| 172         | Sight carrier Challenge          |
| 173         | Allen head cap screw             |
| 177         | O-Ring                           |
| 178         | O-Ring                           |
| 179         | Ball bearing                     |
| 180         | Cocking lever roller             |
| 181         | Bolt axle                        |
| 182         | Roller                           |
| 183         | Countersunk screw                |
| 187         | Slotted set screw                |
| 189         | Allen head cap screw             |
| 202         | Washer                           |

### **Subunits**

|      |   |
|------|---|
| 3,1  | Bolt complete                             |
| 5,2  | Trigger unit complete                     |
| 6,1  | Pistol grip angle adjusting disc complete |
| 7,1  | Additional weight complete                |
| 7,5  | Cheek piece weight complete               |
| 7,6  | Butt plate weight complete                |
| 8,1  | Pressure reducing valve complete          |
| 9,1  | Compressed air cylinder complete          |
| 17,1 | Front sight tunnel complete               |
| 17,2 | Front sight tunnel mounted                |
| 18,1 | Sight riser complete                      |
| 19,1 | Front sight tunnel complete               |
| 22,1 | Trigger blade complete                    |
| 25,1 | Cocking lever complete right              |
| 38,1 | Filling Adapter complete                  |
| 44   | Bolt axle complete                        |

| <b>Item</b> | <b>Designation</b>   |
|-------------|----------------------|
| 82,1        | Stock complete       |
| 100,1       | Cheek piece complete |
| 130,1       | Fore arm complete    |

## 16 PARTS LIST

### STEYR CHALLENGE E BENCH REST

| Item | Designation              |
|------|--------------------------|
| 1    | Housing Challenge        |
| 2    | Weight cam               |
| 3    | Catch rod                |
| 4    | Trigger carrier          |
| 5    | Trigger unit             |
| 6    | Sear                     |
| 7    | Additional weight        |
| 8    | Contact                  |
| 9    | Pressure spring          |
| 10   | Pressure spring D-177    |
| 11   | Slotted set screw        |
| 12   | O-Ring                   |
| 13   | Clamping screw           |
| 14   | Safety lever             |
| 15   | Striker                  |
| 16   | Trigger blade            |
| 17   | Trigger pin              |
| 18   | Slotted set screw        |
| 19   | Slotted set screw        |
| 20   | Fillister head screw     |
| 21   | Bellview washer          |
| 22   | Trigger mount complete   |
| 23   | Contact retainer         |
| 24   | O-Ring                   |
| 25   | Pressure spring          |
| 26   | Adapter                  |
| 27   | Rubber screw lock        |
| 28   | Velocity screw           |
| 29   | Draw spring              |
| 30   | Slotted set screw        |
| 31   | Torsion spring           |
| 32   | O-Ring                   |
| 33   | Paralell pin             |
| 34   | Paralell pin             |
| 35   | Spring-type straight pin |
| 36   | STARLOCK disc            |
| 37   | Slotted set screw        |
| 38   | Washer                   |

| <b>Item</b> | <b>Designation</b>          |
|-------------|-----------------------------|
| 39          | Pressure spring             |
| 40          | Valve complete              |
| 41          | Rocker                      |
| 42          | Countersunk screw           |
| 43          | Bolt                        |
| 44          | Bolt axle complete          |
| 45          | Stabilizer                  |
| 46          | Catch Lever                 |
| 47          | Ball 2.0 mm                 |
| 48          | Drag ring                   |
| 49          | Pressure spring             |
| 50          | Slotted set screw           |
| 51          | O-Ring                      |
| 52          | Paralell pin                |
| 53          | O-Ring                      |
| 55          | Sealing disc                |
| 56          | Barrel 4.5 mm / .177 450 mm |
| 57          | Steel ball                  |
| 58          | Electronic board air rifle  |
| 59          | Battery cover               |
| 60          | Countersunk screw           |
| 61          | Grip rod mount              |
| 62          | Paralell pin                |
| 63          | Grip locking rod            |
| 64          | Paralell pin                |
| 65          | Slotted set screw           |
| 66          | Slotted set screw           |
| 67          | Allen head cap screw        |
| 68          | Ball bearing air pistol     |
| 69          | STARLOCK disc               |
| 70          | Washer                      |
| 76          | Cheek piece carrier         |
| 78          | Paralell pin                |
| 81          | Slotted set screw           |
| 82          | Stock carrier               |
| 83          | Cheek piece screw           |
| 84          | Disc spring                 |
| 85          | Thumbscrew                  |
| 86          | Slotted set screw           |
| 87          | Butt plate rod              |
| 88          | Clamp piece Cheek piece     |

| <b>Item</b> | <b>Designation</b>               |
|-------------|----------------------------------|
| 89          | Butt plate retainer              |
| 90          | Washer                           |
| 91          | Slotted set screw                |
| 92          | Allen head cap screw             |
| 93          | Butt plate                       |
| 94          | Sleeve                           |
| 95          | Slotted set screw                |
| 96          | Stock weight                     |
| 97          | Cheek piece rod                  |
| 98          | Allen head cap screw             |
| 99          | Washer                           |
| 100         | Allen head cap screw             |
| 101         | Cheek piece plate                |
| 102         | Parallel pin                     |
| 103         | Pressure spring                  |
| 104         | Ball                             |
| 105         | Sliding block                    |
| 106         | Thumbscrew                       |
| 107         | Washer                           |
| 108         | Allen head cap screw             |
| 109         | Slotted set screw                |
| 110         | Clamping piece                   |
| 111         | Cheek piece Challenge            |
| 114         | Allen head cap screw             |
| 116         | Countersunk screw                |
| 117         | Bolt cover                       |
| 119         | Slotted set screw                |
| 120         | Washer                           |
| 121         | Plastic front sight              |
| 122         | Front sight set screw            |
| 123         | Front sight tunnel               |
| 125         | Srew                             |
| 126         | Clamp piece                      |
| 127         | Pin                              |
| 153         | O-Ring                           |
| 156         | Cocking lever                    |
| 157         | Cocking lever handle right       |
| 158         | Countersunk screw                |
| 159         | Grip Challenge                   |
| 160         | Pistol grip angle adjusting disc |
| 161         | Stock bracket                    |

| <b>Item</b> | <b>Designation</b>      |
|-------------|-------------------------|
| 162         | Clamp piece             |
| 164         | Slotted set screw       |
| 166         | Stock cover E           |
| 167         | Barrel cover            |
| 171         | Slotted set screw       |
| 172         | Sight carrier Challenge |
| 173         | Allen head cap screw    |
| 177         | O-Ring                  |
| 178         | O-Ring                  |
| 179         | Ball bearing            |
| 180         | Cocking lever roller    |
| 181         | Bolt axle               |
| 182         | Roller                  |
| 183         | Countersunk screw       |
| 184         | Countersunk screw       |
| 185         | Pressure spring         |
| 186         | Washer                  |
| 187         | Slotted set screw       |
| 189         | Allen head cap screw    |
| 202         | Washer                  |
| 205         | Sliding block           |
| 206         | Washer                  |
| 207         | Allen head cap screw    |
| 208         | Front stock Bench Rest  |

### **Subunits**

|      |   |
|------|---|
| 3,1  | Bolt complete                             |
| 5,1  | Trigger unit electronic complete          |
| 6,1  | Pistol grip angle adjusting disc complete |
| 7,1  | Additional weight complete                |
| 8,1  | Pressure reducing valve complete          |
| 9,1  | Compressed air cylinder complete          |
| 17,1 | Front sight tunnel complete               |
| 17,2 | Front sight tunnel mounted                |
| 18,2 | Sight riser Bench Rest                    |
| 19,1 | Diopter                                   |
| 22,1 | Trigger blade complete                    |
| 25,1 | Cocking lever complete right              |
| 30,1 | Front stock Bench Rest complete           |
| 34,1 | Barrel cover complete                     |

| <b>Item</b> | <b>Designation</b>                |
|-------------|-----------------------------------|
| 34,2        | Muzzle extension Challenge compl. |
| 34,3        | Barrel cover mounted              |
| 38,1        | Filling Adapter complete          |
| 44          | Bolt axle complete                |
| 55,1        | Sealing disc complete             |
| 58,1        | Electronic board complete         |
| 58,2        | Electronic coil mounted           |
| 58,3        | Hammer mounted                    |
| 82,1        | Stock complete                    |
| 100,1       | Cheek piece complete              |



## 17 PARTS LIST

### STEYR CHALLENGE BENCH REST

| Item | Designation              |
|------|--------------------------|
| 1    | Housing Challenge        |
| 2    | Weight cam               |
| 3    | Catch rod                |
| 4    | Trigger carrier          |
| 5    | Trigger unit             |
| 6    | Sear                     |
| 7    | Additional weight        |
| 8    | Slotted set screw        |
| 9    | Pressure spring          |
| 10   | Pressure spring          |
| 11   | Slotted set screw        |
| 12   | O-Ring                   |
| 13   | Clamping screw           |
| 14   | Safety lever             |
| 15   | Striker                  |
| 16   | Trigger blade            |
| 17   | Trigger pin              |
| 18   | Slotted set screw        |
| 19   | Slotted set screw        |
| 20   | Fillister head screw     |
| 21   | Bellview washer          |
| 22   | Trigger mount complete   |
| 23   | Slotted set screw        |
| 24   | O-Ring                   |
| 25   | Pressure spring          |
| 26   | Adapter                  |
| 27   | Rubber screw lock        |
| 28   | Velocity screw           |
| 29   | Draw spring              |
| 30   | Draw spring              |
| 31   | Torsion spring           |
| 32   | O-Ring                   |
| 33   | Paralell pin             |
| 34   | Paralell pin             |
| 35   | Spring-type straight pin |
| 36   | STARLOCK disc            |
| 37   | Slotted set screw        |
| 38   | Washer                   |

| <b>Item</b> | <b>Designation</b>          |
|-------------|-----------------------------|
| 39          | Pressure spring             |
| 40          | Valve complete              |
| 42          | Countersunk screw           |
| 43          | Bolt                        |
| 44          | Bolt axle complete          |
| 45          | Stabilizer                  |
| 46          | Catch Lever                 |
| 47          | Ball 2.0 mm                 |
| 48          | Drag ring                   |
| 49          | Pressure spring             |
| 50          | Slotted set screw           |
| 51          | O-Ring                      |
| 52          | Paralell pin                |
| 53          | O-Ring                      |
| 55          | Sealing disc                |
| 56          | Barrel 4.5 mm / .177 450 mm |
| 57          | Steel ball                  |
| 59          | Battery cover               |
| 60          | Countersunk screw           |
| 61          | Grip rod mount              |
| 62          | Paralell pin                |
| 63          | Grip locking rod            |
| 67          | Allen head cap screw        |
| 76          | Cheek piece carrier         |
| 80          | Slotted set screw           |
| 81          | Slotted set screw           |
| 82          | Stock carrier               |
| 83          | Cheek piece screw           |
| 84          | Disc spring                 |
| 85          | Thumbscrew                  |
| 86          | Slotted set screw           |
| 87          | Butt plate rod              |
| 88          | Clamp piece Cheek piece     |
| 89          | Butt plate retainer         |
| 90          | Washer                      |
| 91          | Slotted set screw           |
| 92          | Allen head cap screw        |
| 93          | Butt plate                  |
| 94          | Sleeve                      |
| 95          | Slotted set screw           |
| 96          | Stock weight                |

| <b>Item</b> | <b>Designation</b>               |
|-------------|----------------------------------|
| 97          | Cheek piece rod                  |
| 98          | Allen head cap screw             |
| 99          | Washer                           |
| 100         | Allen head cap screw             |
| 101         | Cheek piece plate                |
| 102         | Parallel pin                     |
| 103         | Pressure spring                  |
| 104         | Ball                             |
| 105         | Sliding block                    |
| 106         | Thumbscrew                       |
| 107         | Washer                           |
| 108         | Allen head cap screw             |
| 109         | Slotted set screw                |
| 110         | Clamping piece                   |
| 111         | Cheek piece Challenge            |
| 114         | Allen head cap screw             |
| 116         | Countersunk screw                |
| 117         | Bolt cover                       |
| 119         | Slotted set screw                |
| 120         | Washer                           |
| 121         | Plastic front sight              |
| 122         | Front sight set screw            |
| 123         | Front sight tunnel               |
| 125         | Srew                             |
| 126         | Clamp piece                      |
| 127         | Paralell pin                     |
| 153         | O-Ring                           |
| 156         | Cocking lever                    |
| 157         | Cocking lever handle right       |
| 158         | Countersunk screw                |
| 159         | Grip Challenge                   |
| 160         | Pistol grip angle adjusting disc |
| 161         | Stock bracket                    |
| 162         | Clamp piece                      |
| 164         | Slotted set screw                |
| 166         | Stock cover E                    |
| 167         | Barrel cover                     |
| 171         | Slotted set screw                |
| 172         | Sight carrier Challenge          |
| 173         | Allen head cap screw             |
| 177         | O-Ring                           |

| <b>Item</b> | <b>Designation</b>     |
|-------------|------------------------|
| 178         | O-Ring                 |
| 179         | Ball bearing           |
| 180         | Cocking lever roller   |
| 181         | Bolt axle              |
| 182         | Roller                 |
| 183         | Countersunk screw      |
| 187         | Slotted set screw      |
| 189         | Allen head cap screw   |
| 202         | Washer                 |
| 205         | Sliding block          |
| 206         | Washer                 |
| 207         | Allen head cap screw   |
| 208         | Front stock Bench Rest |

### **Subunits**

|       |   |
|-------|---|
| 3,1   | Bolt complete                             |
| 5,2   | Trigger unit complete                     |
| 6,1   | Pistol grip angle adjusting disc complete |
| 7,1   | Additional weight complete                |
| 8,1   | Pressure reducing valve complete          |
| 9,1   | Compressed air cylinder complete          |
| 17,1  | Front sight tunnel complete               |
| 17,2  | Front sight tunnel mounted                |
| 18,2  | Sight riser Bench Rest                    |
| 19,1  | Front sight tunnel complete               |
| 22,1  | Trigger blade complete                    |
| 25,1  | Cocking lever complete right              |
| 30,1  | Front stock Bench Rest complete           |
| 44    | Bolt axle complete                        |
| 38,1  | Filling Adapter complete                  |
| 82,1  | Stock complete                            |
| 100,1 | Cheek piece complete                      |