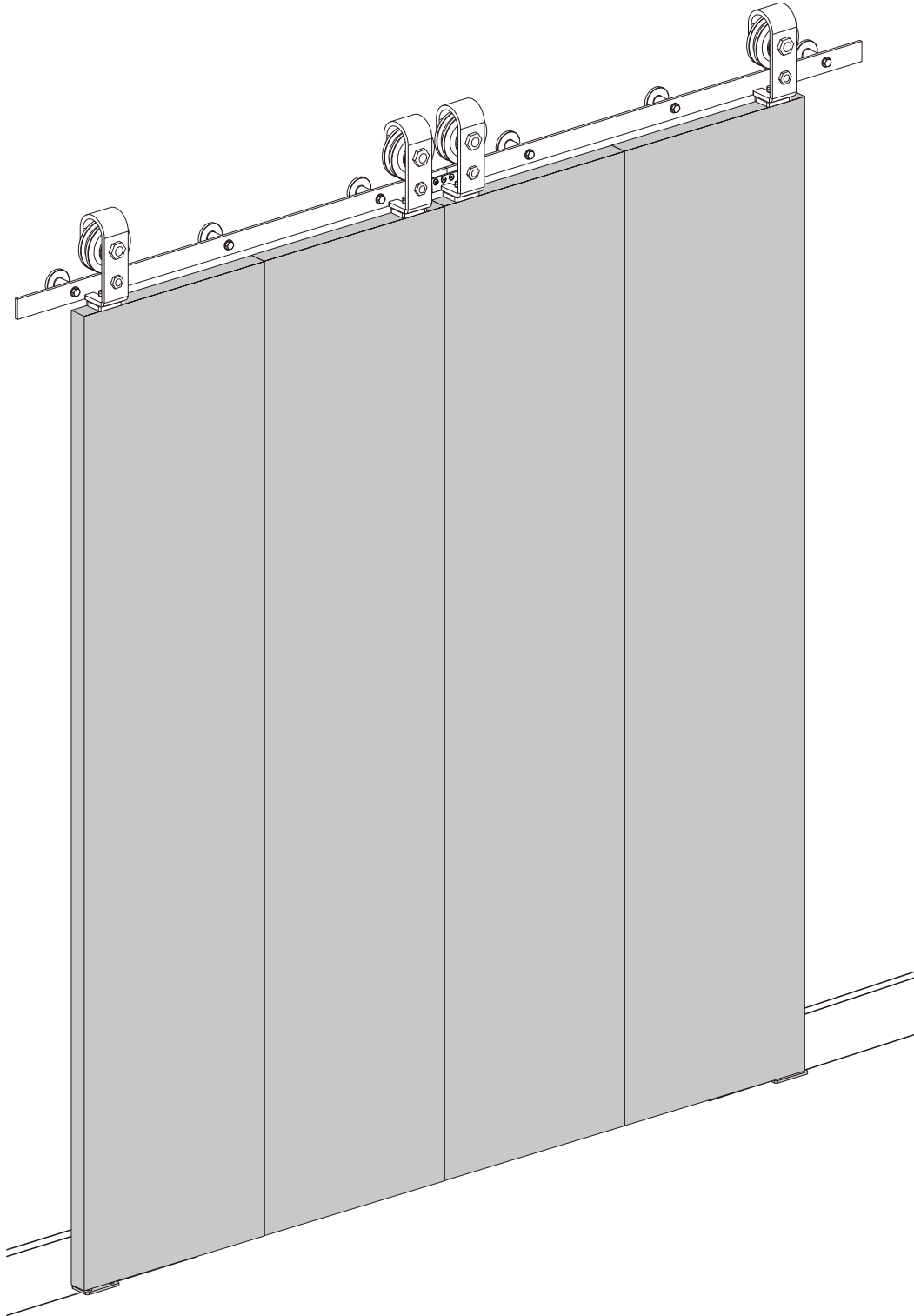




# Installation Instructions

---

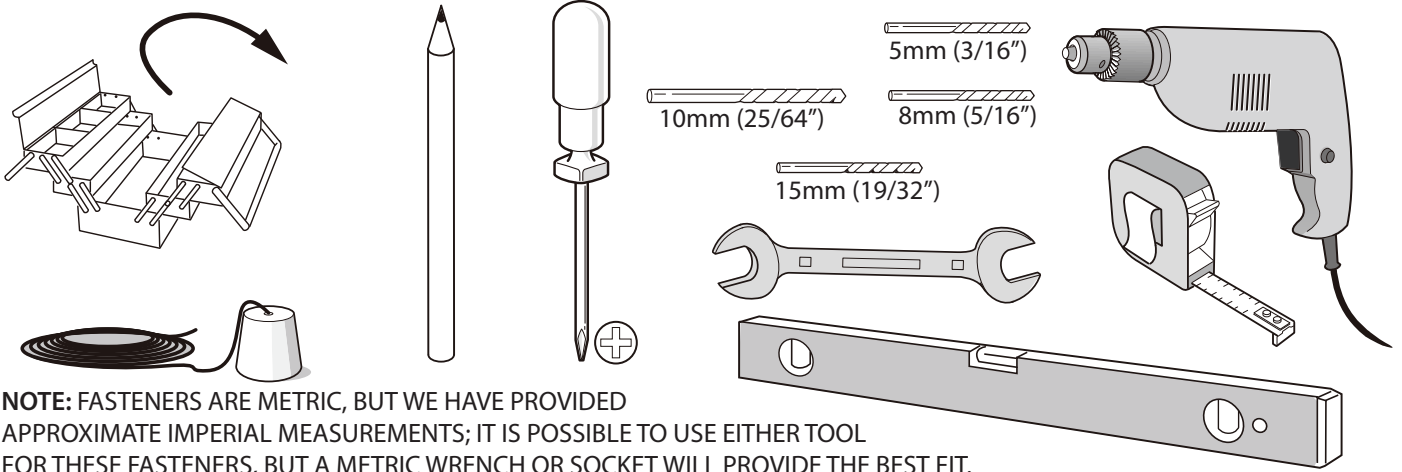


With proper installation, the maximum recommended weight for the folding door set is 176 pounds (44 pounds per panel). Sets will fit 1-3/8" - 1-3/4" thick doors.

[www.stoneharborhardware.com](http://www.stoneharborhardware.com)

# REQUIRED TOOLS

**REQUIRED TOOLS INCLUDE:** A LEVEL, DRILL, TAPE MEASURE, ONE ADJUSTABLE WRENCH (OR 13mm {~1/2"}, 16mm {~ 5/8"}, 17mm {~11/16"}, AND 22mm {~7/8"} WRENCHES); 3/16" WOOD DRILL BITS; 5/16" WOOD DRILL BITS; 25/64" WOOD DRILL BITS; AND 19/32" WOOD DRILL BITS.



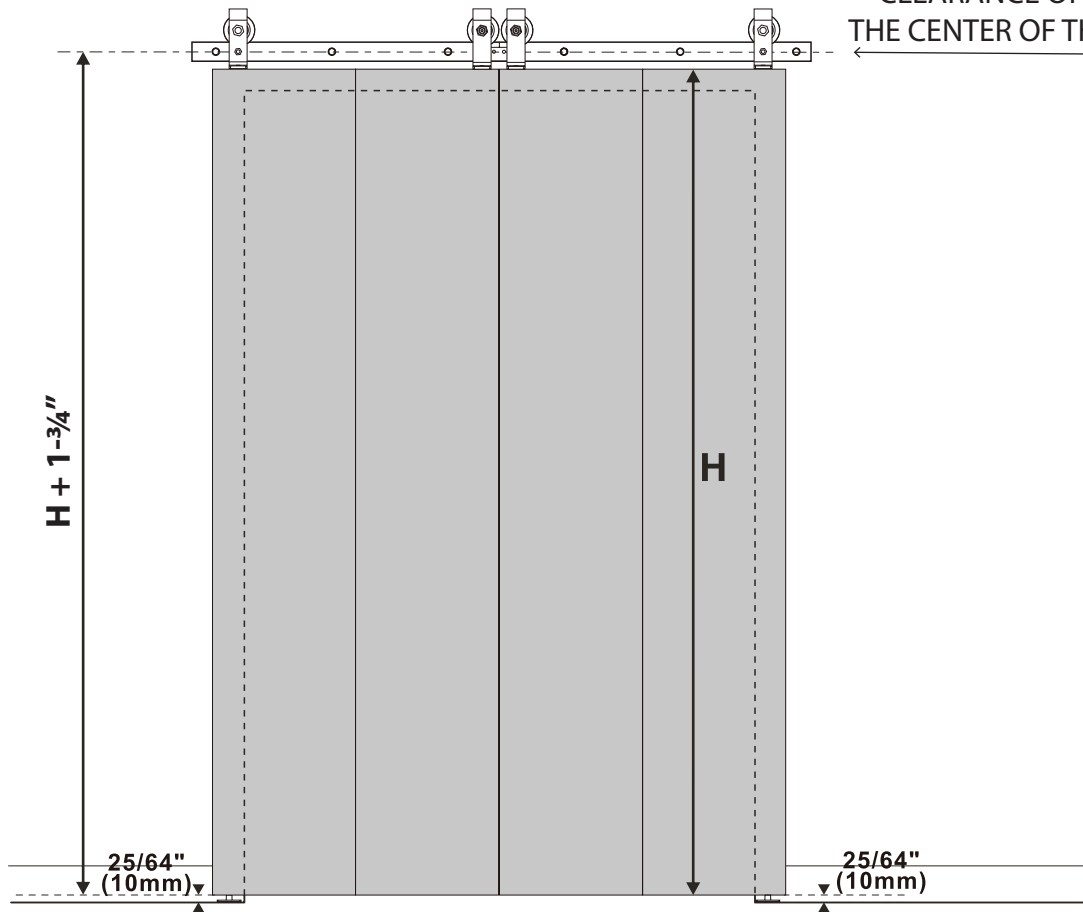
**NOTE:** FASTENERS ARE METRIC, BUT WE HAVE PROVIDED APPROXIMATE IMPERIAL MEASUREMENTS; IT IS POSSIBLE TO USE EITHER TOOL FOR THESE FASTENERS, BUT A METRIC WRENCH OR SOCKET WILL PROVIDE THE BEST FIT.

# INCLUDED HARDWARE

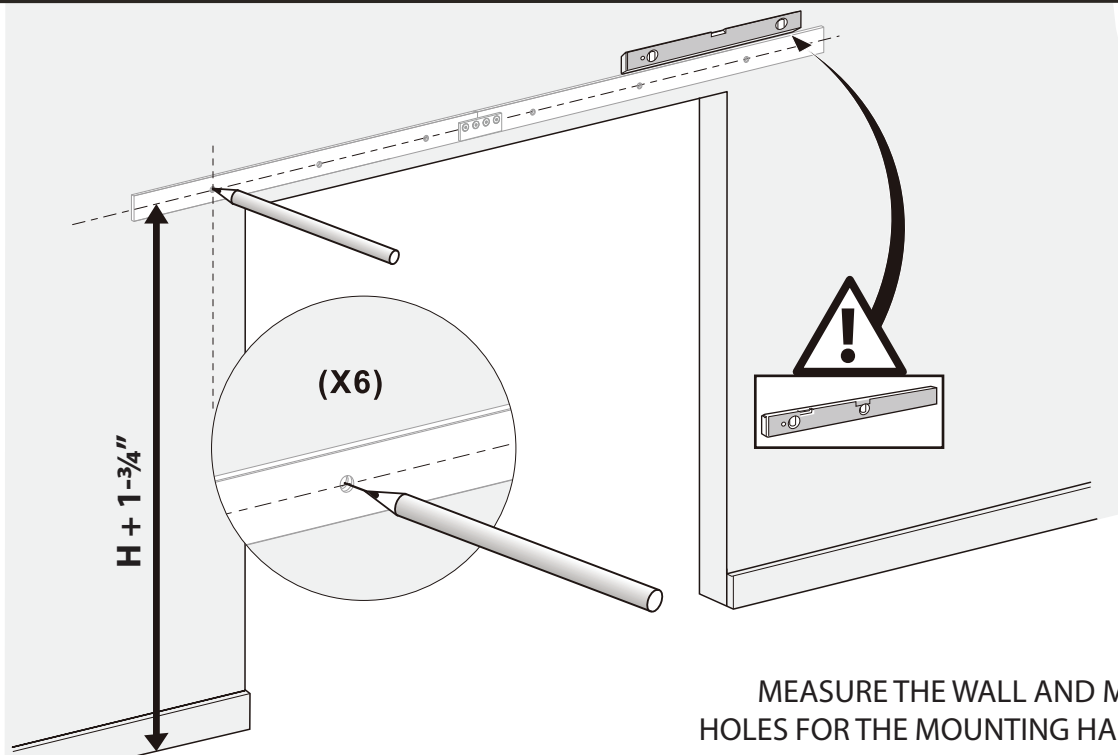
<p><b>A</b> 2-PIECE TRACK WITH SCREWS AND ANCHORS (FOR CONCRETE USE)</p> <p>25/64" (x6) M8x90(x6) 5/16" x 3-35/64"</p> <p>(x6)</p> <p>(x2)</p>	<p><b>B</b> INNER HANGERS</p> <p>(x2)</p>	<p><b>C</b> OUTER HANGERS</p> <p>(x2)</p> <p>M5x26 (x2) 13/64" x 1-1/32"</p> <p>(x2)</p>
<p><b>D</b> HANGER STOPS</p> <p>(x2)</p> <p>M5x6(x4) 13/64" x 15/64"</p>	<p><b>E</b> UNIVERSAL HANGER MOUNTS</p> <p>(x4)</p> <p>ST4.8X50(x8) 3/16" x 1-31/32"</p>	<p><b>F</b> DOOR HINGES</p> <p>(x6)</p> <p>M6X25(x24) 15/64" x 63/64"</p>
<p><b>G</b> DOOR PIVOTS (FOR USE IN CONCRETE)</p> <p>(x2)</p> <p>(x2)</p> <p>5/16" (x8) ST4.2X32(x8) 11/64" x 17/64"</p>	<p><b>H</b> TRACK SPACERS</p> <p>(x6)</p>	<p><b>I</b> SILENCER STRIPS</p> <p>(x2)</p>
<p><b>J</b> ALLEN WRENCHES</p> <p>(x1)</p>	<p><b>K</b> TRACK CONNECTOR PLATE</p> <p>(x1)</p> <p>M6x10(x4) 15/64" x 25/64"</p>	

**NOTE:** THE FINISHED OPENING SHOULD EQUAL THE TOTAL WIDTH OF ALL FOUR DOOR PANELS MINUS 4" AND THE DOOR HEIGHT MINUS 1".

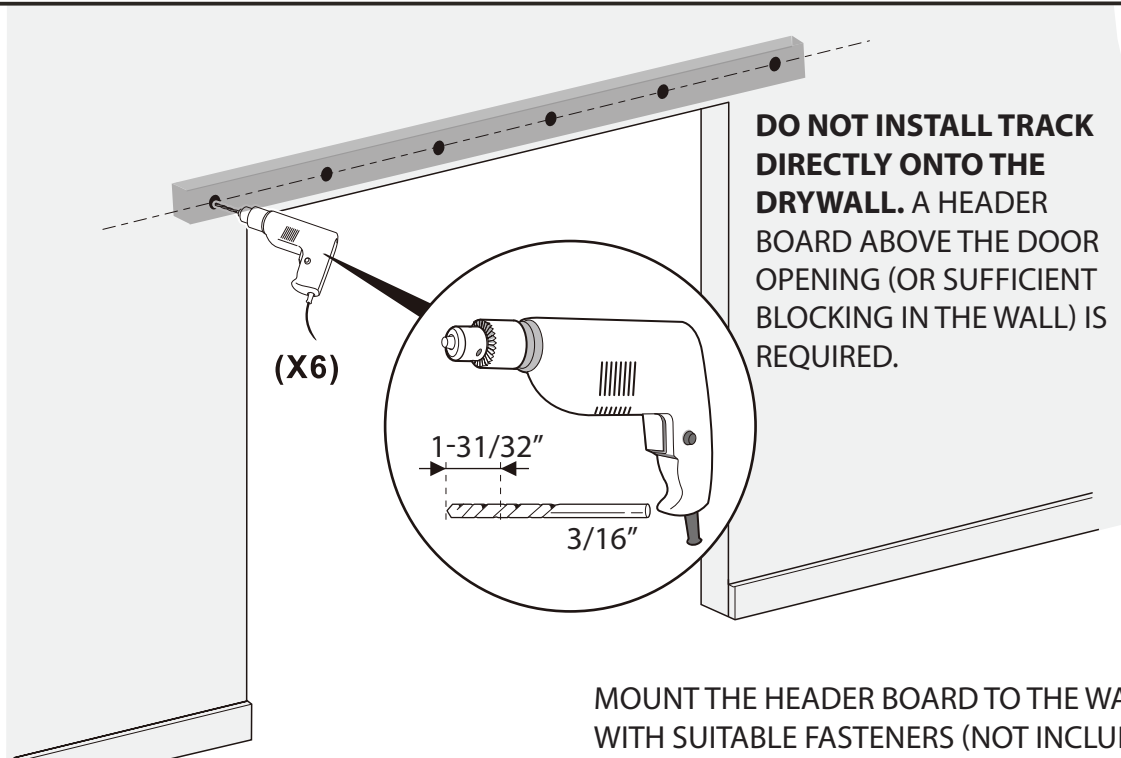
ALLOW FOR A MINIMUM CLEARANCE OF 5" ABOVE THE CENTER OF THE TRACK.



**1**



2

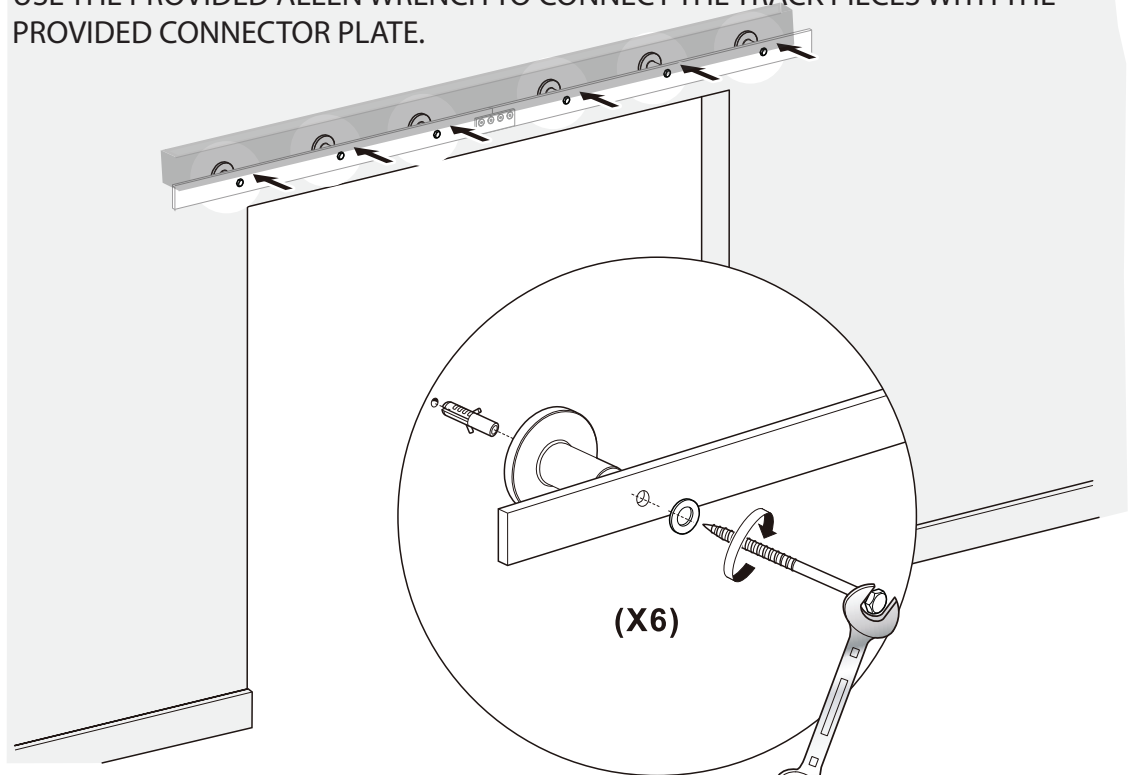
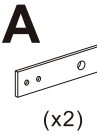


**DO NOT INSTALL TRACK DIRECTLY ONTO THE DRYWALL.** A HEADER BOARD ABOVE THE DOOR OPENING (OR SUFFICIENT BLOCKING IN THE WALL) IS REQUIRED.

MOUNT THE HEADER BOARD TO THE WALL STUDS WITH SUITABLE FASTENERS (NOT INCLUDED).

3

USE THE PROVIDED ALLEN WRENCH TO CONNECT THE TRACK PIECES WITH THE PROVIDED CONNECTOR PLATE.



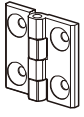
(X6)

USE A 13mm (~1/2") WRENCH TO TIGHTEN THE SCREWS TO THE WALL.

**4**

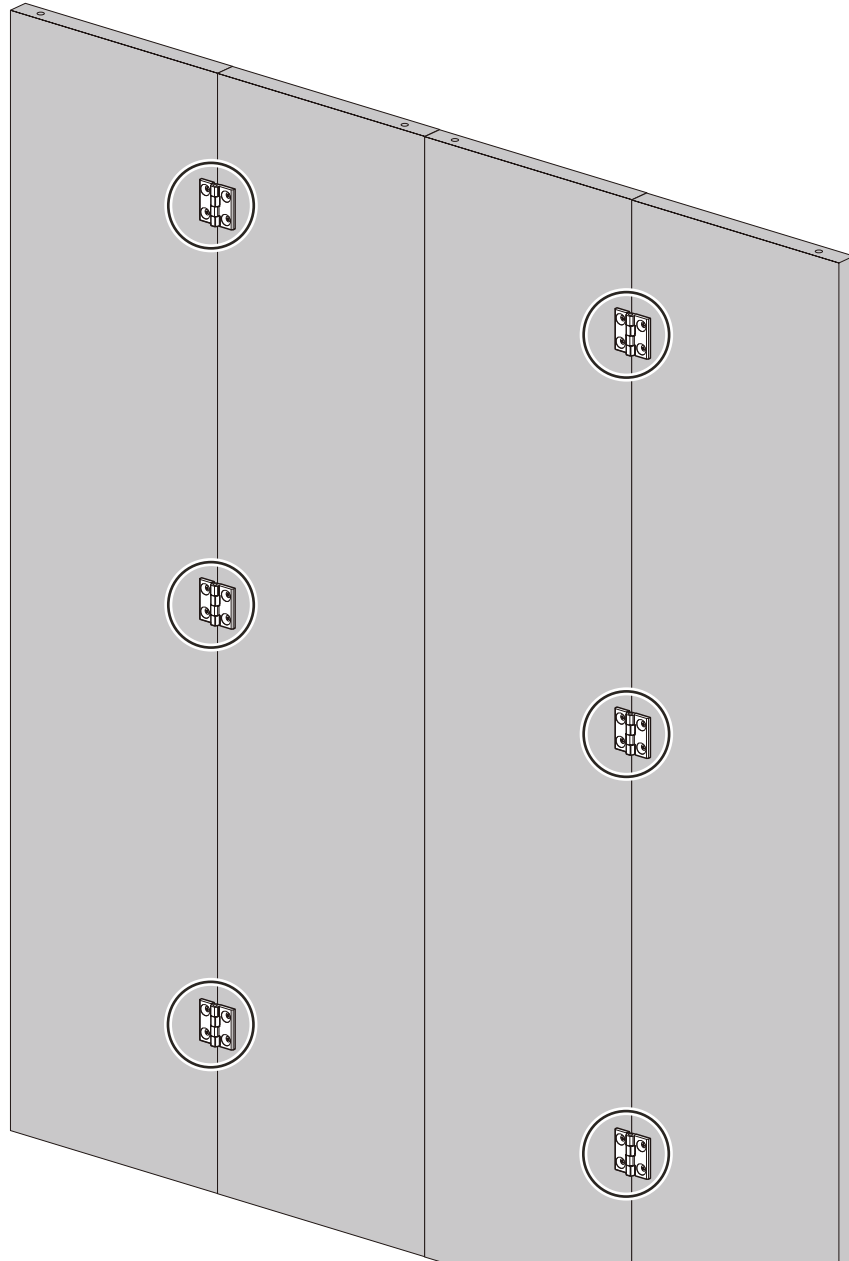
USE THE PROVIDED SCREWS TO INSTALL THE HINGES ON THE INTERIOR SIDE OF THE DOORS.

**F**



(x6)

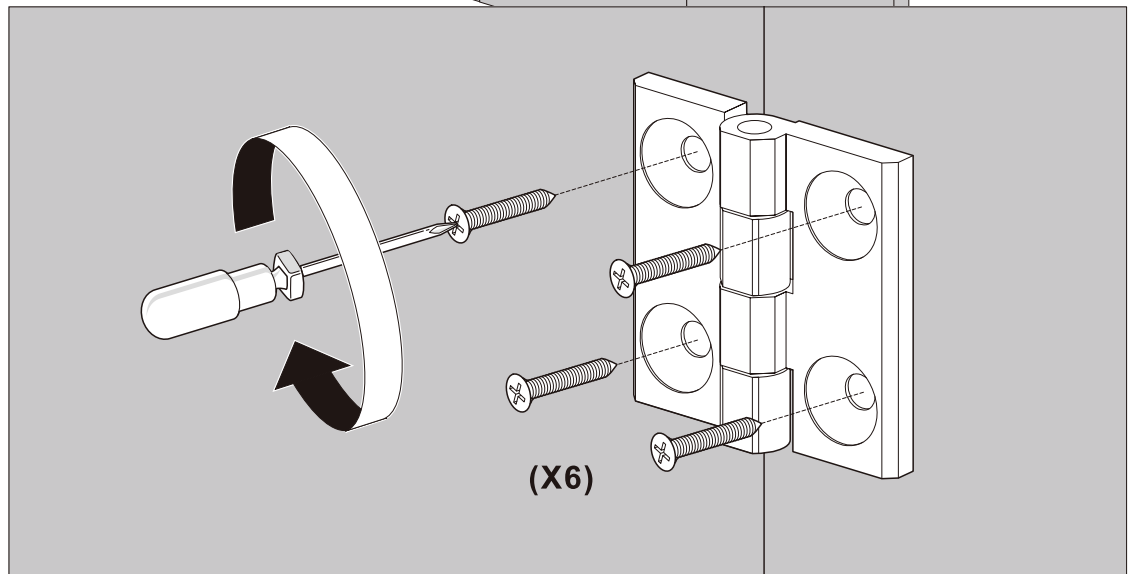
M6X25(x24)  
15/64"x63/64"



INSTALL THE  
TOP HINGE  
4-1/2" DOWN  
FROM THE TOP  
OF THE DOOR.

CENTER  
BOTTOM OF  
THE MIDDLE  
HINGE  
BETWEEN THE  
TOP AND THE  
BOTTOM  
HINGES.

INSTALL THE  
BOTTOM HINGE  
5-1/4" UP FROM  
THE BOTTOM  
EDGE OF THE  
DOOR.



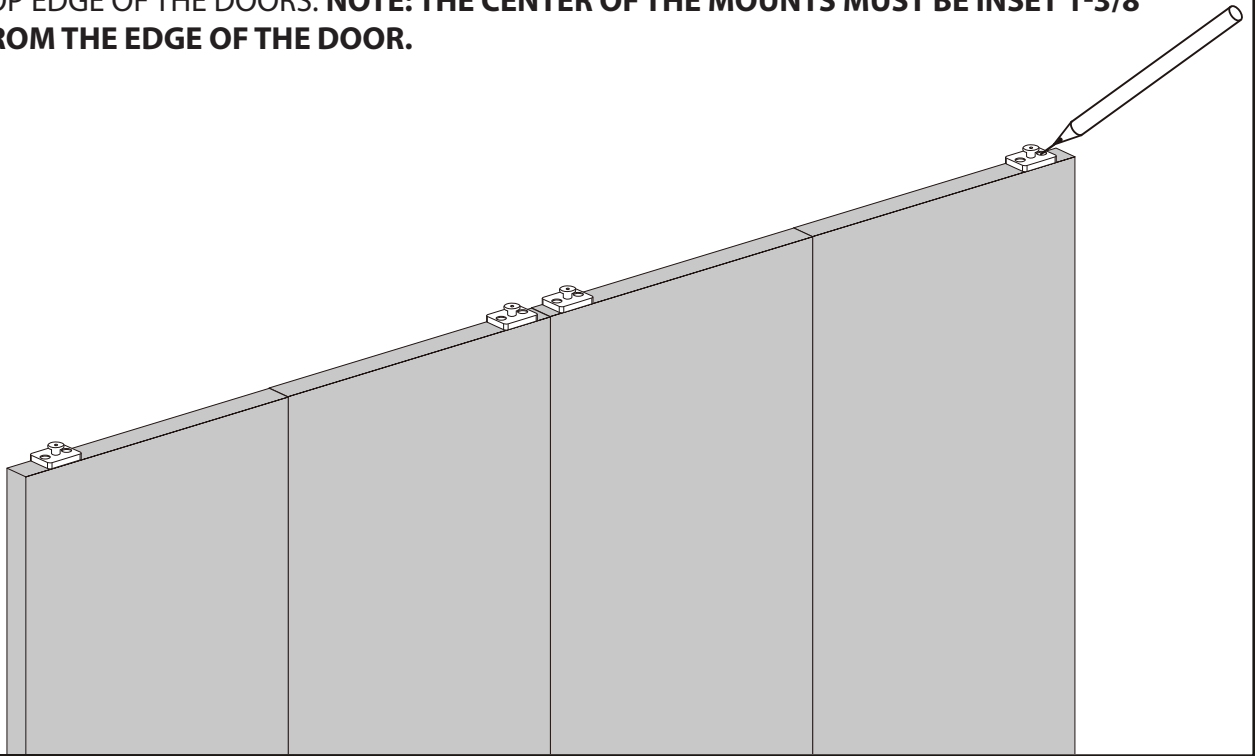
**5**

USE THE PROVIDED SCREWS TO ATTACH THE TOP OF THE UNIVERSAL HANGER MOUNTS TO THE TOP EDGE OF THE DOORS. **NOTE: THE CENTER OF THE MOUNTS MUST BE INSET 1-3/8" FROM THE EDGE OF THE DOOR.**

**E**



(x4)



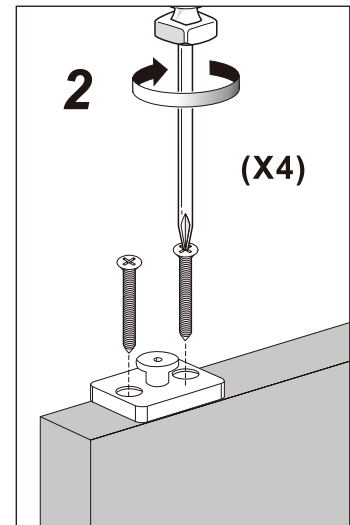
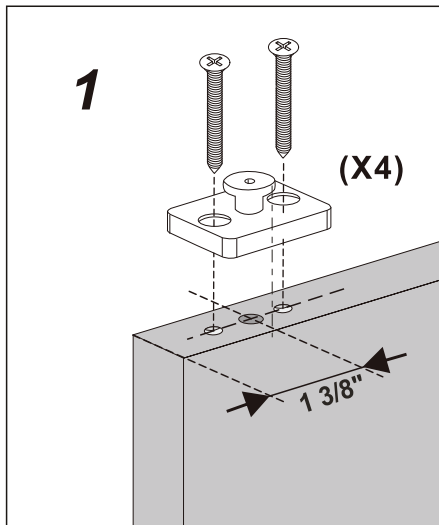
**6**

**E**

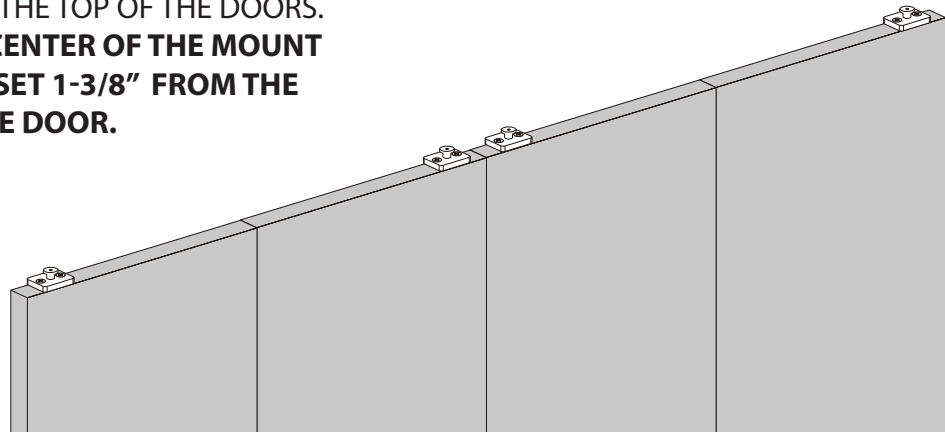


(x4)

ST4.8X50(x8)  
3/16"x1 31/32"



USE A SCREWDRIVER TO ATTACH THE MOUNTS TO THE TOP OF THE DOORS. **NOTE: THE CENTER OF THE MOUNT MUST BE INSET 1-3/8" FROM THE EDGE OF THE DOOR.**



7

B

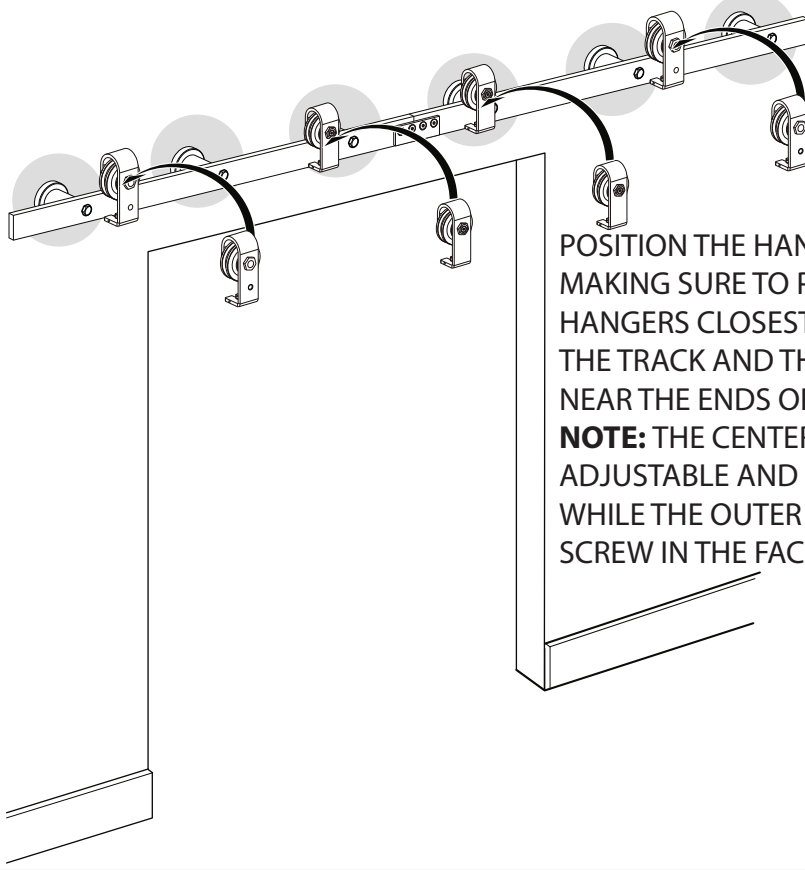


(x2)

C



(x2)



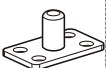
POSITION THE HANGERS ON THE TRACK, MAKING SURE TO PLACE THE CENTER HANGERS CLOSEST TO THE MIDDLE OF THE TRACK AND THE OUTER HANGERS NEAR THE ENDS OF THE TRACK.  
**NOTE:** THE CENTER HANGERS ARE ADJUSTABLE AND FEATURE A FLAT FACE, WHILE THE OUTER HANGERS HAVE A SET SCREW IN THE FACE.

8

USE THE PROVIDED FASTENERS TO INSTALL THE DOOR PIVOTS IN THE FLOOR.

USE A 19/32" WOOD BIT TO PREP THE DOOR FOR THE PIVOT.

G



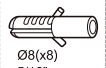
(x2)



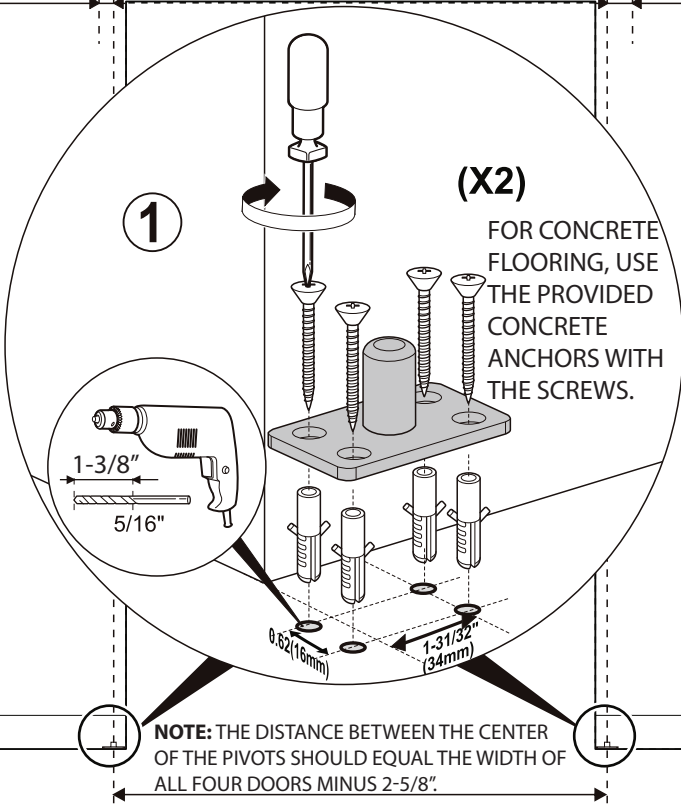
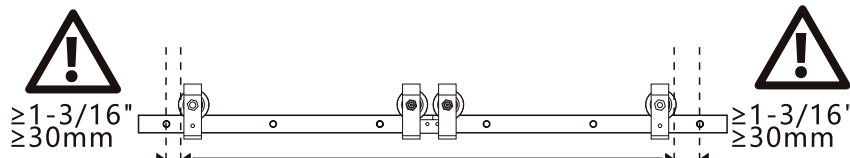
(x2)



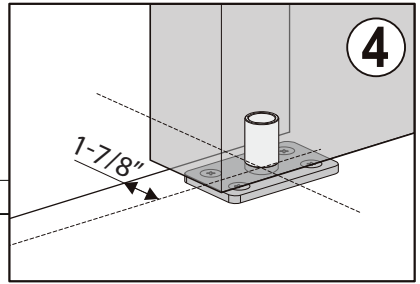
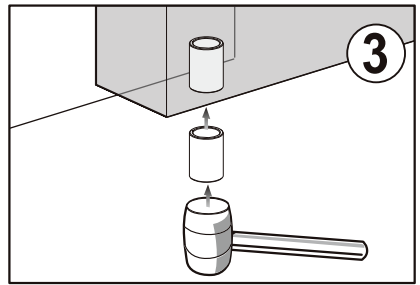
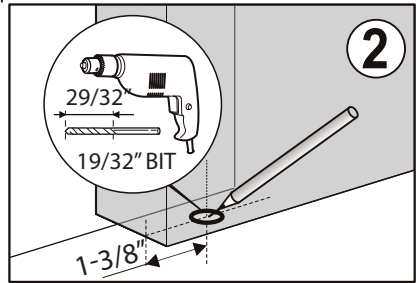
ST4.2X32(x8)  
11/64x17/64



Ø8(x8)  
5/16"



**NOTE:** THE DISTANCE BETWEEN THE CENTER OF THE PIVOTS SHOULD EQUAL THE WIDTH OF ALL FOUR DOORS MINUS 2-5/8".



**NOTE:** THE CENTER OF THE PIVOT MUST MEASURE 1-7/8" FROM THE SURFACE OF THE HEADER BOARD WHERE TRACK IS MOUNTED.

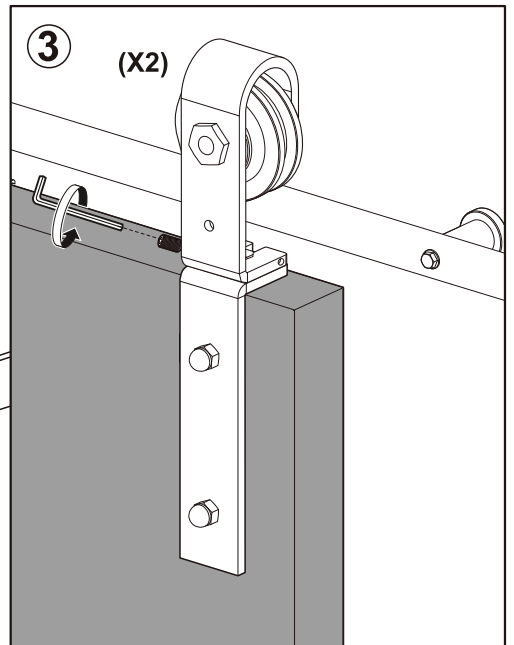
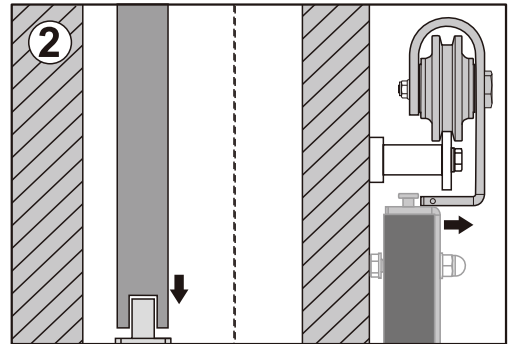
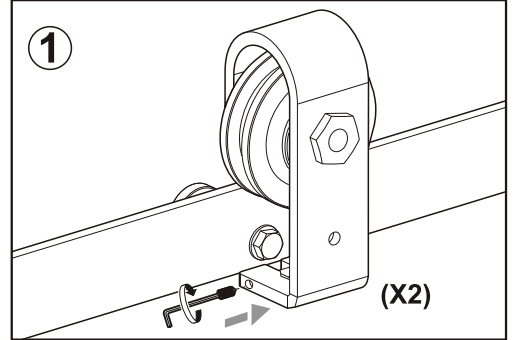
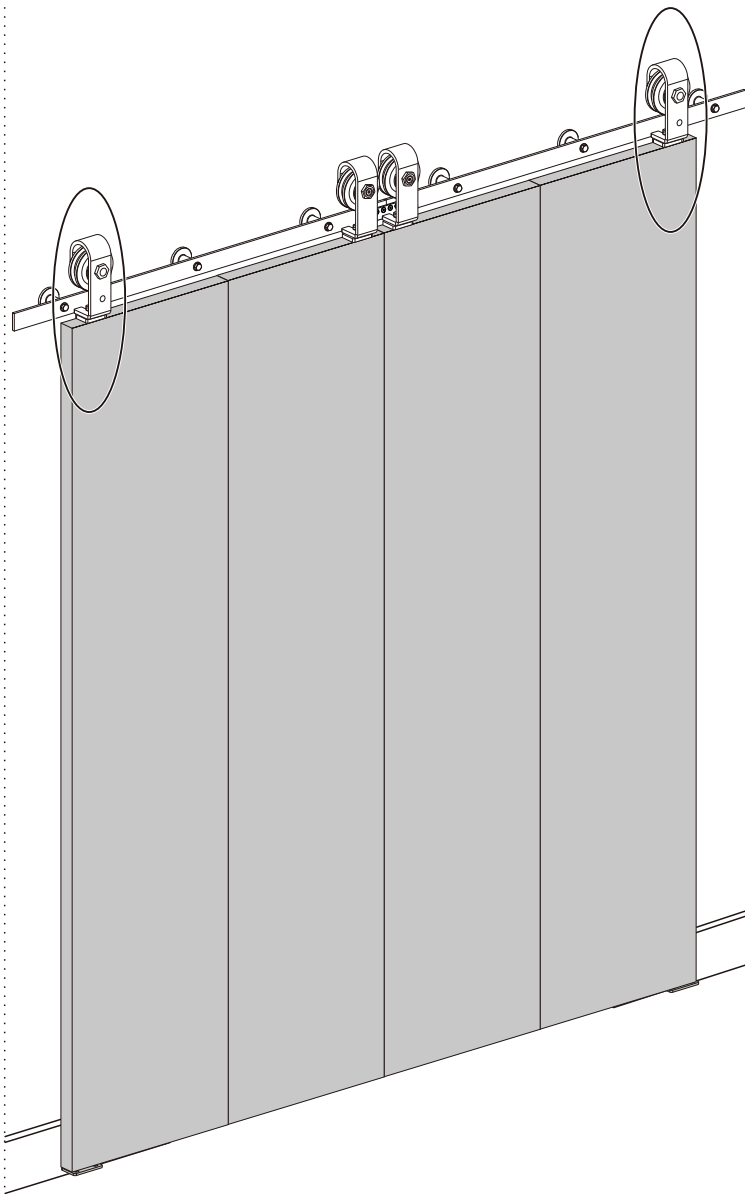
9

CONNECT THE OUTER HANGERS TO THE OUTER STRAPS AND USE THE PROVIDED ALLEN WRENCH TO TIGHTEN THEM INTO PLACE.

C



(x2)





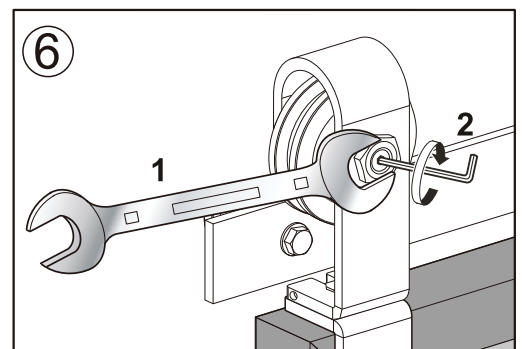
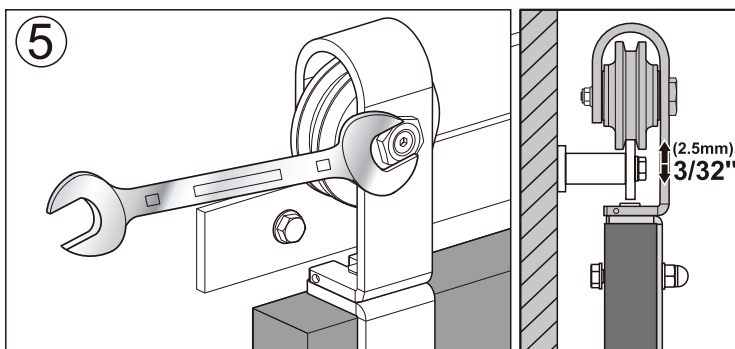
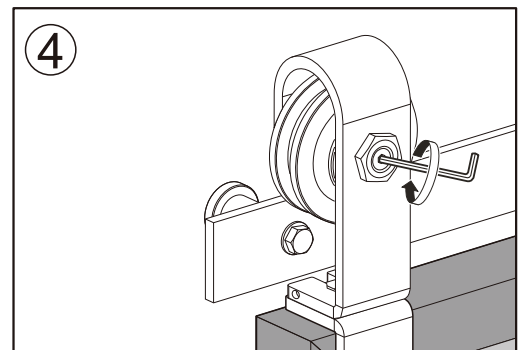
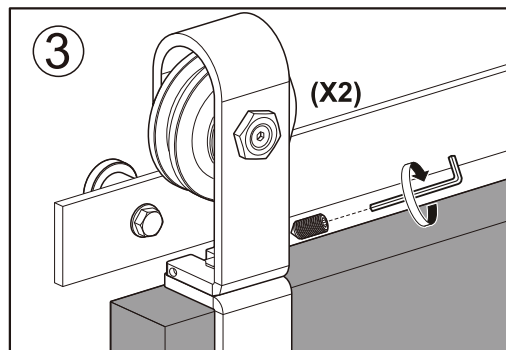
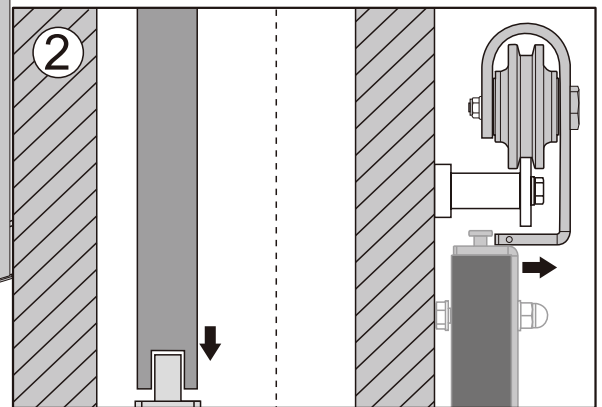
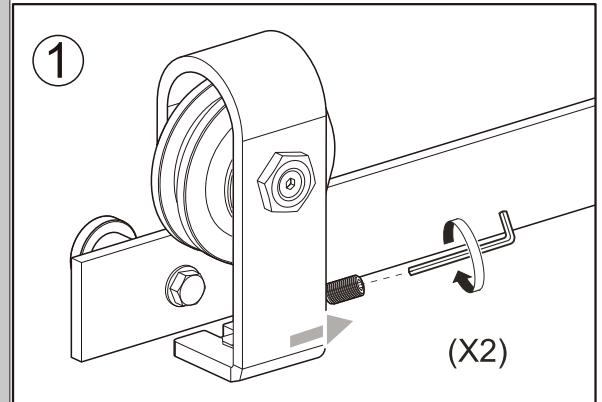
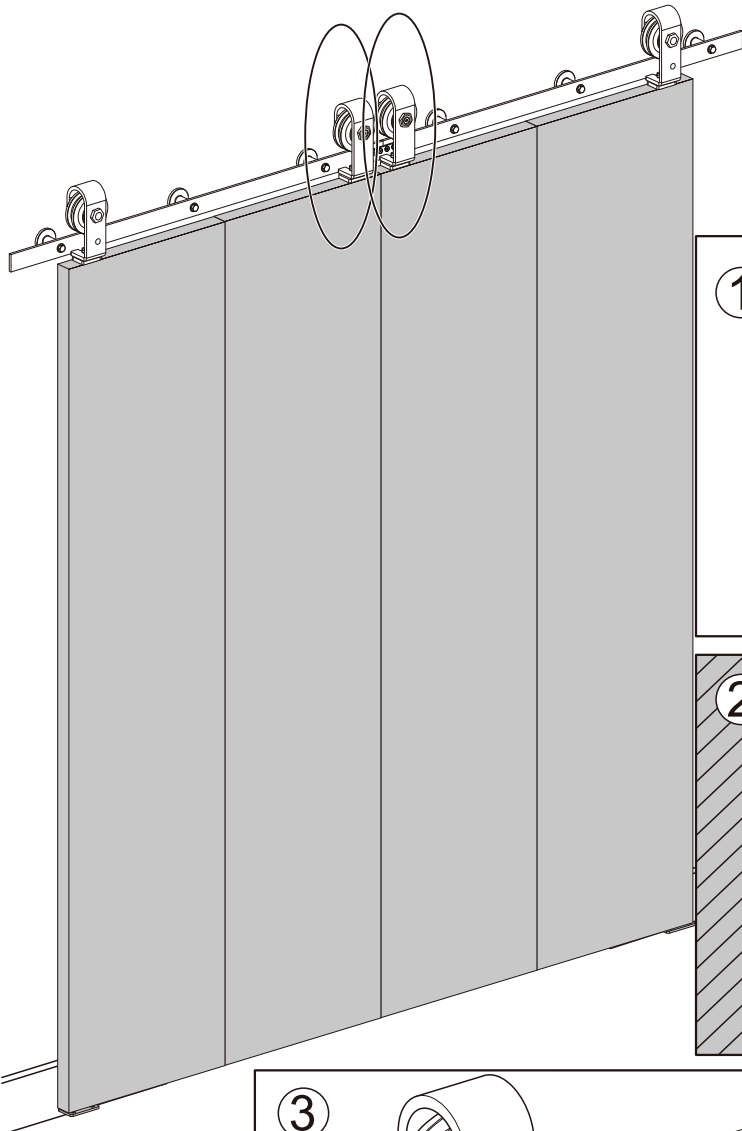
**10**

ATTACH THE INNER HANGERS TO THE STRAPS ON THE INNER EDGES OF THE DOORS AND USE THE PROVIDED ALLEN WRENCH TO TIGHTEN THEM INTO PLACE. USE A 22mm (~7/8") WRENCH TO ADJUST THE BOLTS ON THE FACE OF THE HANGERS.

**B**



(x2)



11

C



(x2)



(x2)

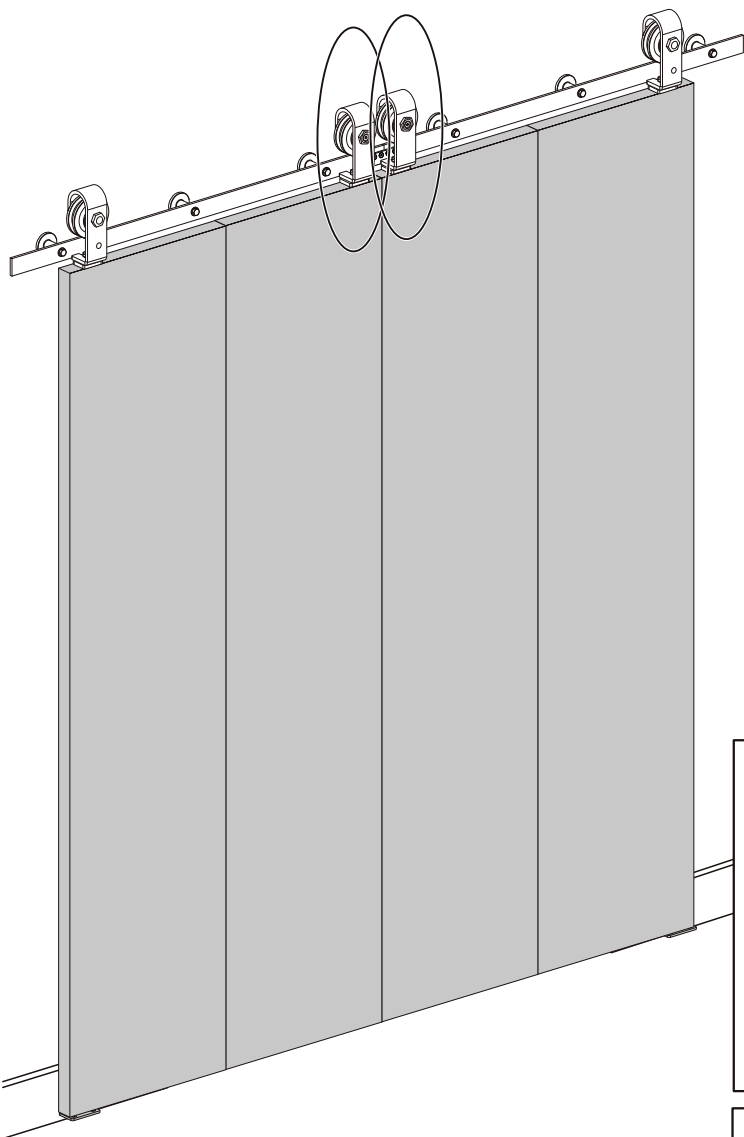
D



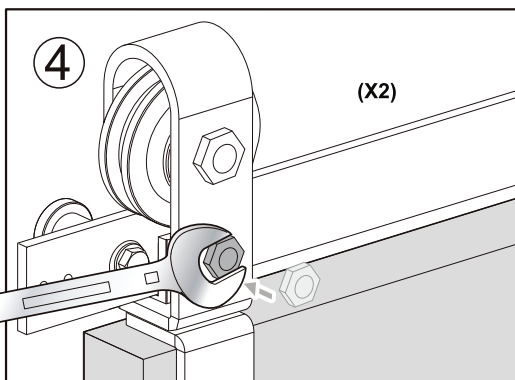
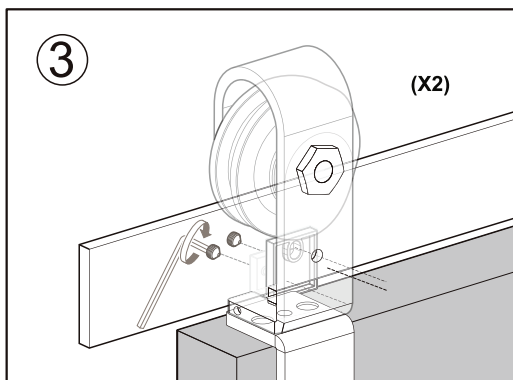
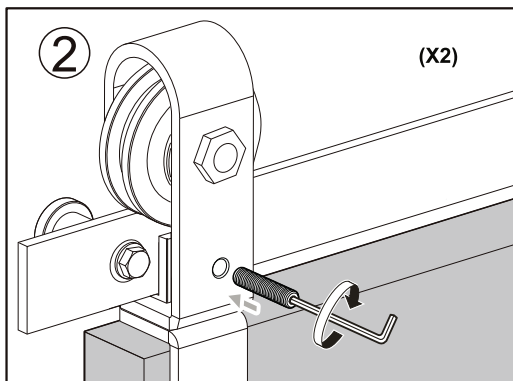
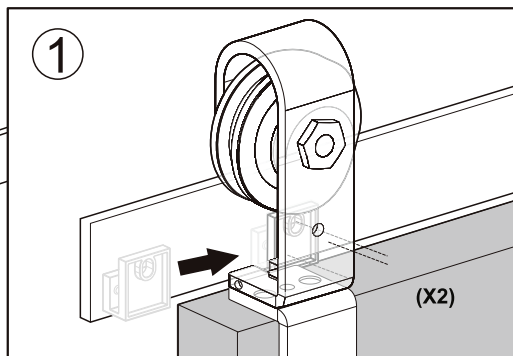
(x2)



(x4)



INSTALL THE OUTER HANGER STOPS UNDER THE OUTER HANGERS ON EACH END OF THE TRACK. USE THE PROVIDED ALLEN WRENCH TO ADJUST THE TENSION. (THE FIT WILL BE SNUG.)



**12**

REMOVE THE PROTECTIVE BACKING FROM THE SILENCER STRIPS AND APPLY STRIPS TO THE INNER EDGE OF THE DOORS TO HELP KEEP THE DOORS FROM RUBBING AGAINST EACH OTHER.

