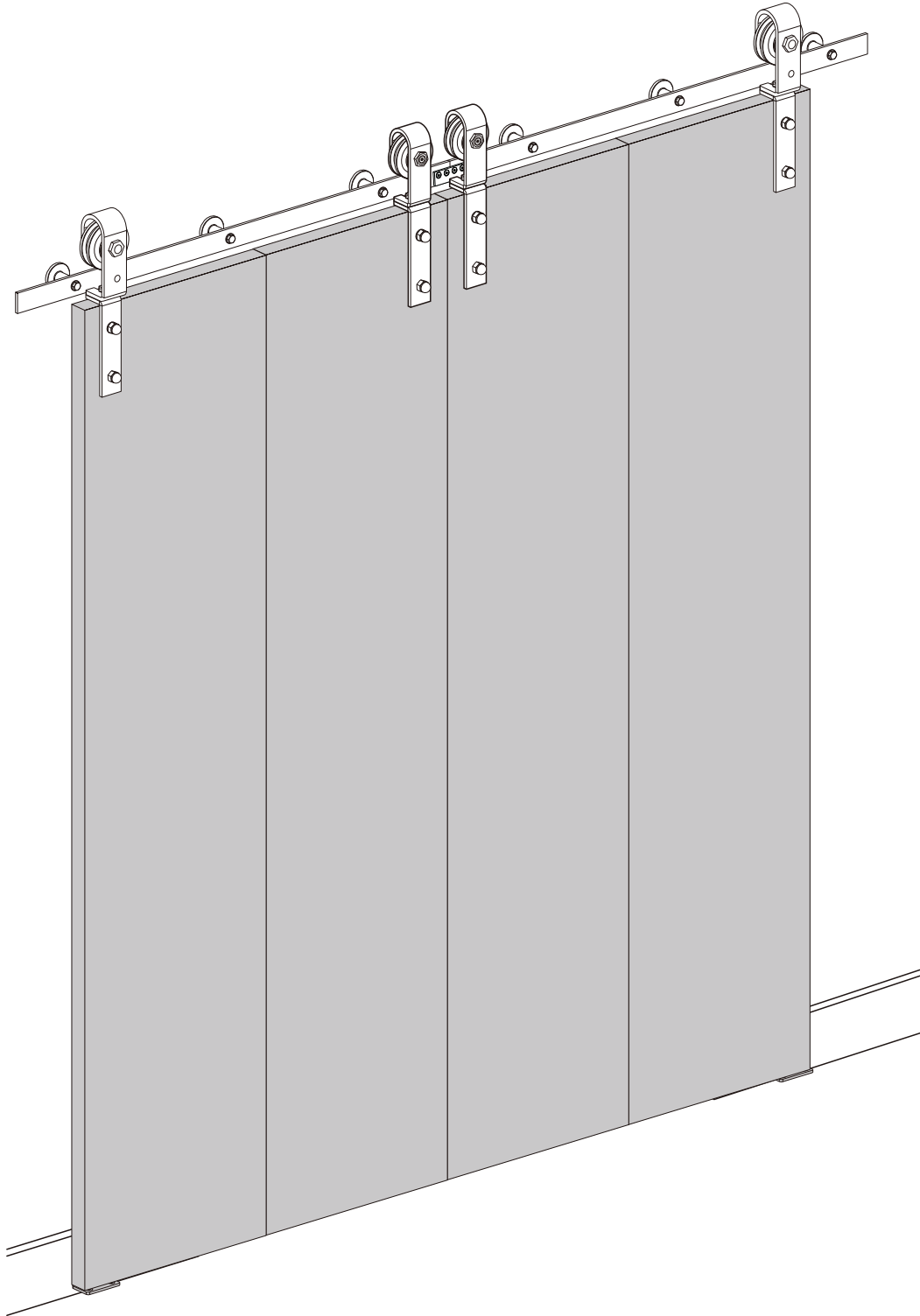




Installation Instructions

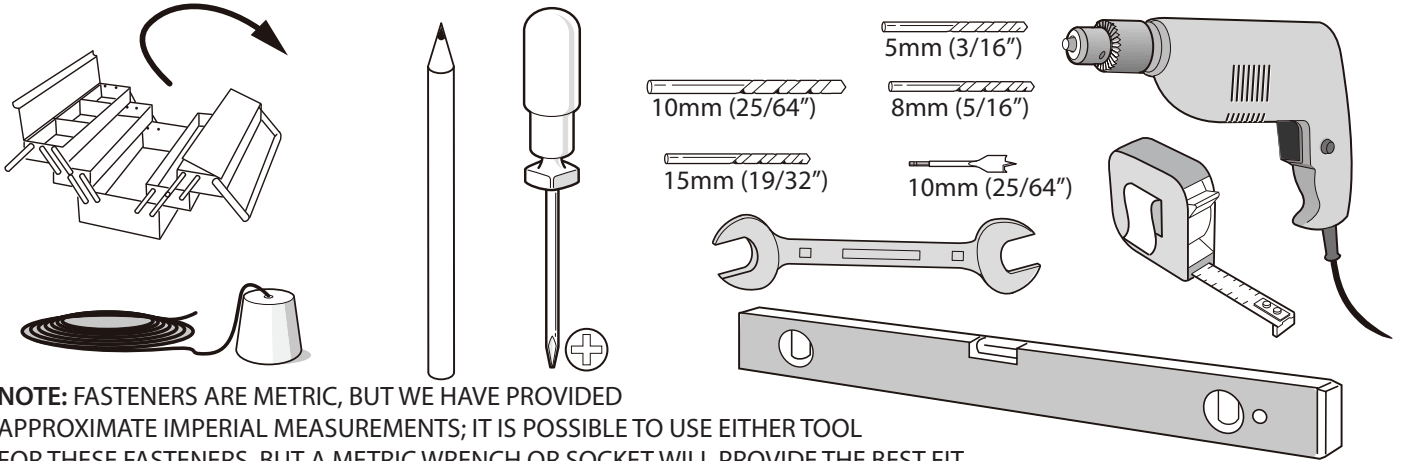


With proper installation, the maximum recommended weight for the folding door set is 176 pounds (44 pounds per panel). Sets will fit 1-3/8" - 1-3/4" thick doors.

www.stoneharborhardware.com

REQUIRED TOOLS

REQUIRED TOOLS INCLUDE: A LEVEL, DRILL, TAPE MEASURE, ONE ADJUSTABLE WRENCH (OR 13mm {~1/2"}, 16mm {~5/8"}, 17mm {~11/16"}, AND 22mm {~7/8"} WRENCHES); 3/16" WOOD DRILL BITS; 5/16" WOOD DRILL BITS; 25/64" WOOD DRILL BITS; 19/32" WOOD DRILL BITS; AND A 25/64" SPADE BIT.



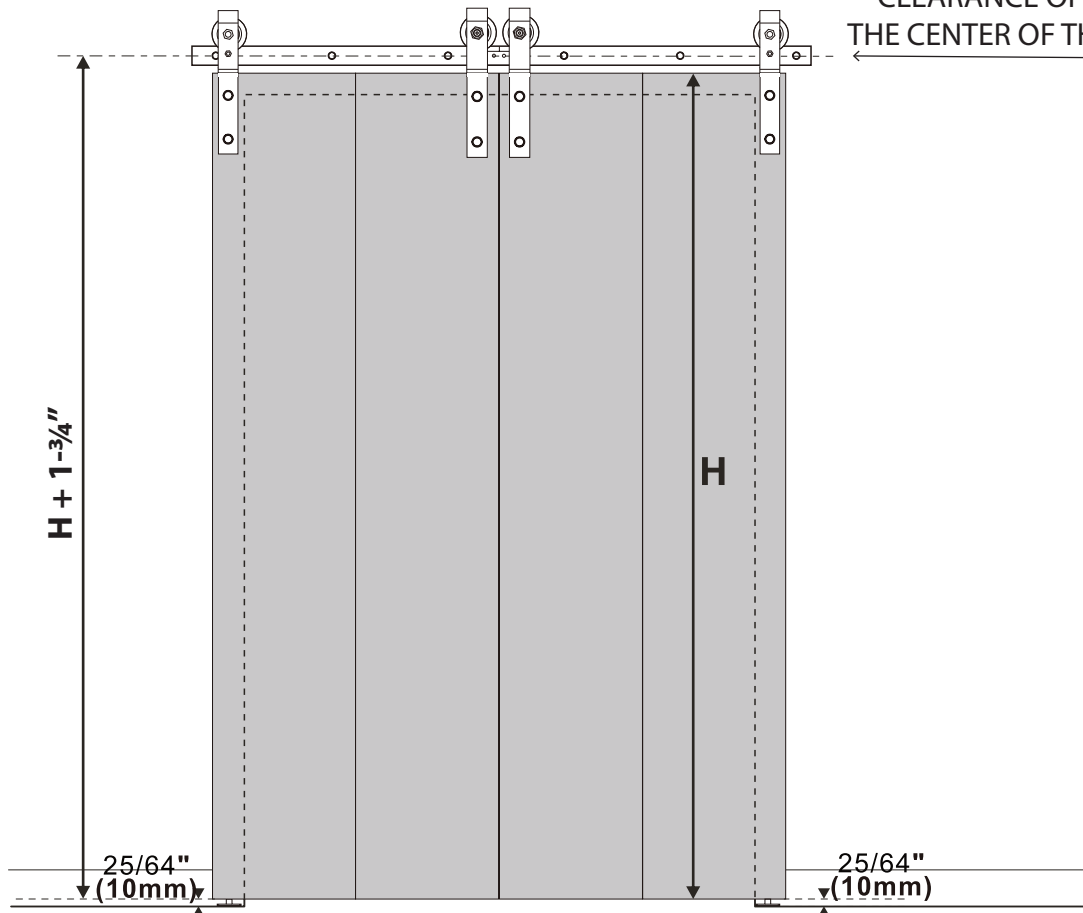
NOTE: FASTENERS ARE METRIC, BUT WE HAVE PROVIDED APPROXIMATE IMPERIAL MEASUREMENTS; IT IS POSSIBLE TO USE EITHER TOOL FOR THESE FASTENERS, BUT A METRIC WRENCH OR SOCKET WILL PROVIDE THE BEST FIT.

INCLUDED HARDWARE

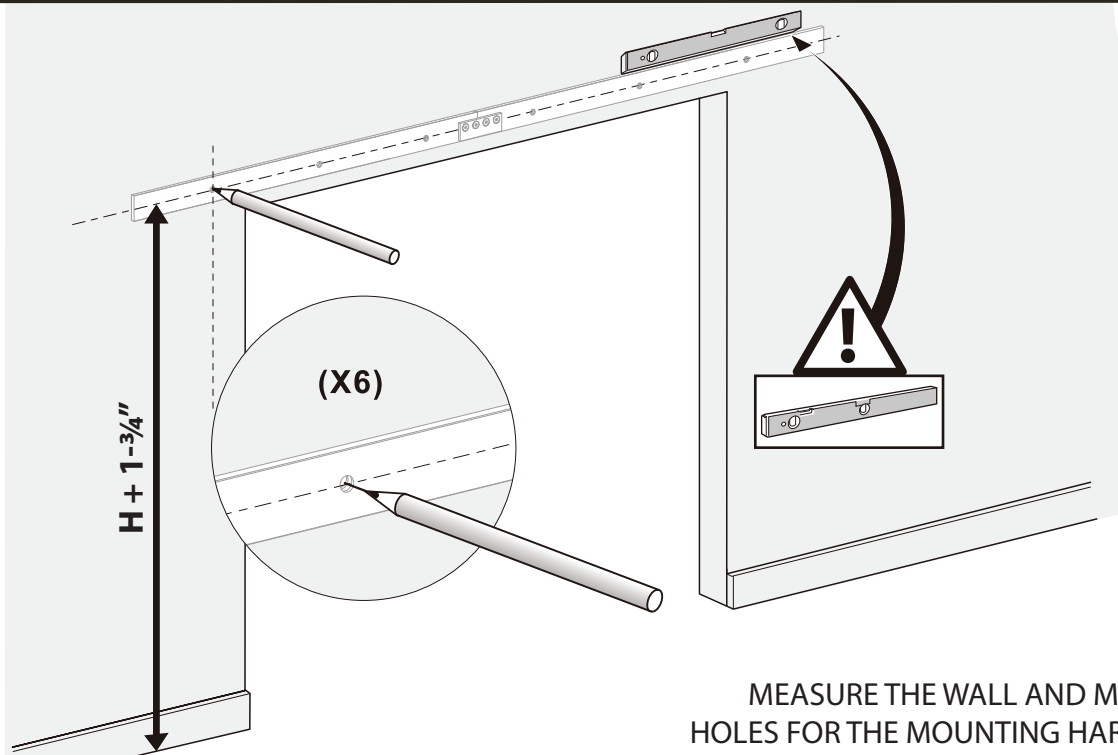
<p>A 2-PIECE TRACK WITH SCREWS AND ANCHORS (FOR CONCRETE USE)</p> <p>25/64" (x6)</p> <p>(x6)</p> <p>M8x90 (x6) 5/16" x 3-35/64"</p> <p>(x2)</p>	<p>B INNER HANGERS</p> <p>(x2)</p>	<p>C OUTER HANGERS</p> <p>(x2)</p> <p>M5x26 (x2) 13/64" x 1-1/32"</p> <p>(x2)</p>
<p>D HANGER STOPS</p> <p>(x2)</p> <p>M5x6 (x4) 13/64" x 15/64"</p>	<p>E DOOR HINGES</p> <p>(x6)</p> <p>M6x25 (x24) 15/64" x 63/64"</p>	<p>F DOOR PIVOTS</p> <p>(x2)</p> <p>(x2)</p> <p>5/16" (x8) (FOR USE IN CONCRETE)</p> <p>11/64" x 17/64" ST4.2X32 (x8)</p>
<p>G TRACK SPACERS</p> <p>(x6)</p>	<p>H SILENCER STRIPS</p> <p>(x2)</p>	<p>J HANGER STRAPS</p> <p>(x4)</p> <p>(M10x60mm) (x8) 25/64" x 2-23/64"</p> <p>ST4.8X32 (x8) 3/16" x 1-17/64"</p>
<p>I TRACK CONNECTOR PLATE</p> <p>(x1)</p> <p>M6x10 (x4) 15/64" x 25/64"</p>	<p>ALLEN WRENCHES</p> <p>(x1)</p>	

NOTE: THE FINISHED OPENING SHOULD EQUAL THE TOTAL WIDTH OF ALL FOUR DOOR PANELS MINUS 4" AND THE DOOR HEIGHT MINUS 1".

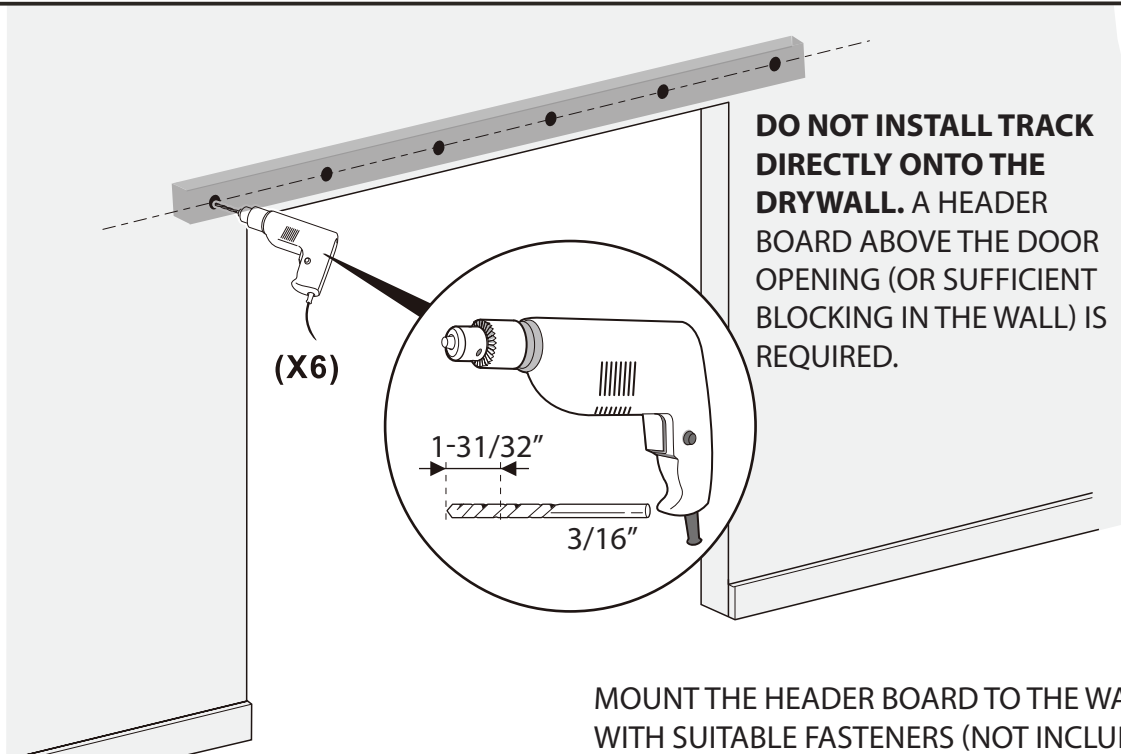
ALLOW FOR A MINIMUM CLEARANCE OF 5" ABOVE THE CENTER OF THE TRACK.



1



2

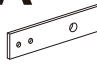

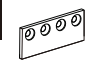



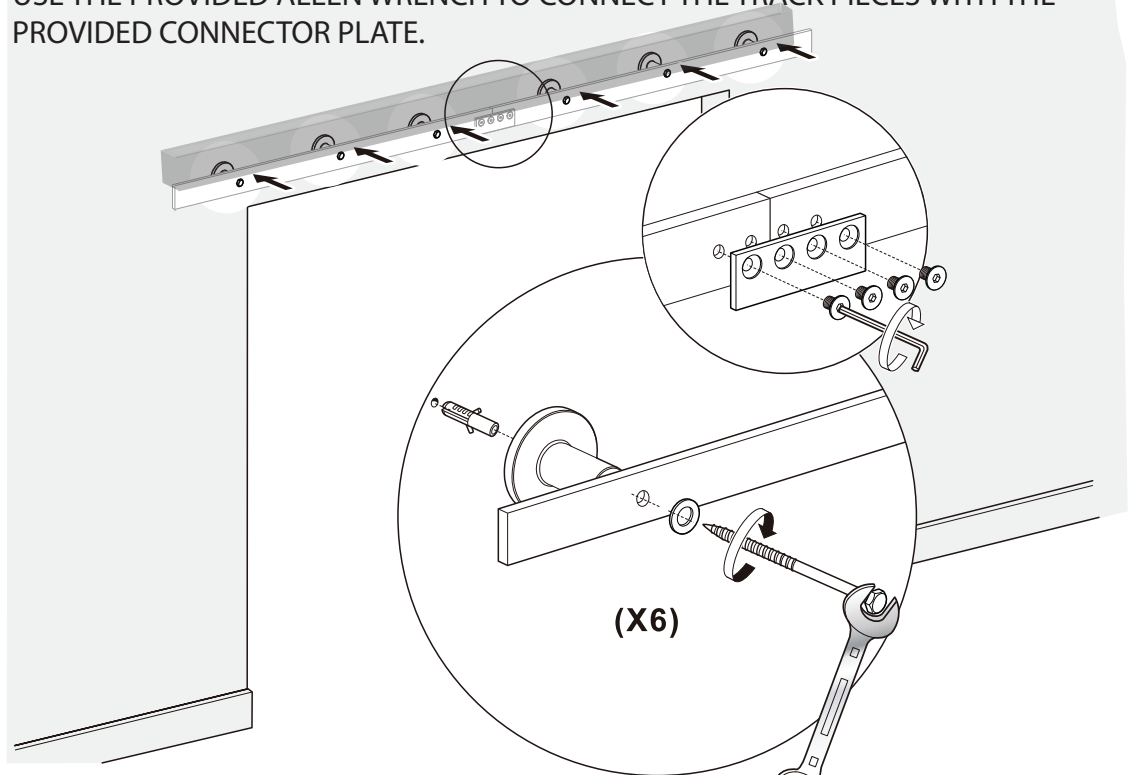
DO NOT INSTALL TRACK DIRECTLY ONTO THE DRYWALL. A HEADER BOARD ABOVE THE DOOR OPENING (OR SUFFICIENT BLOCKING IN THE WALL) IS REQUIRED.

MOUNT THE HEADER BOARD TO THE WALL STUDS WITH SUITABLE FASTENERS (NOT INCLUDED).

3

USE THE PROVIDED ALLEN WRENCH TO CONNECT THE TRACK PIECES WITH THE PROVIDED CONNECTOR PLATE.

- A**

(x2)
- G**

(x6)
- I**

(x1)
- 
M6x10(x4)
15/64"x25/64"

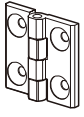


USE A 13mm (~1/2") WRENCH TO TIGHTEN THE SCREWS TO THE WALL.

4

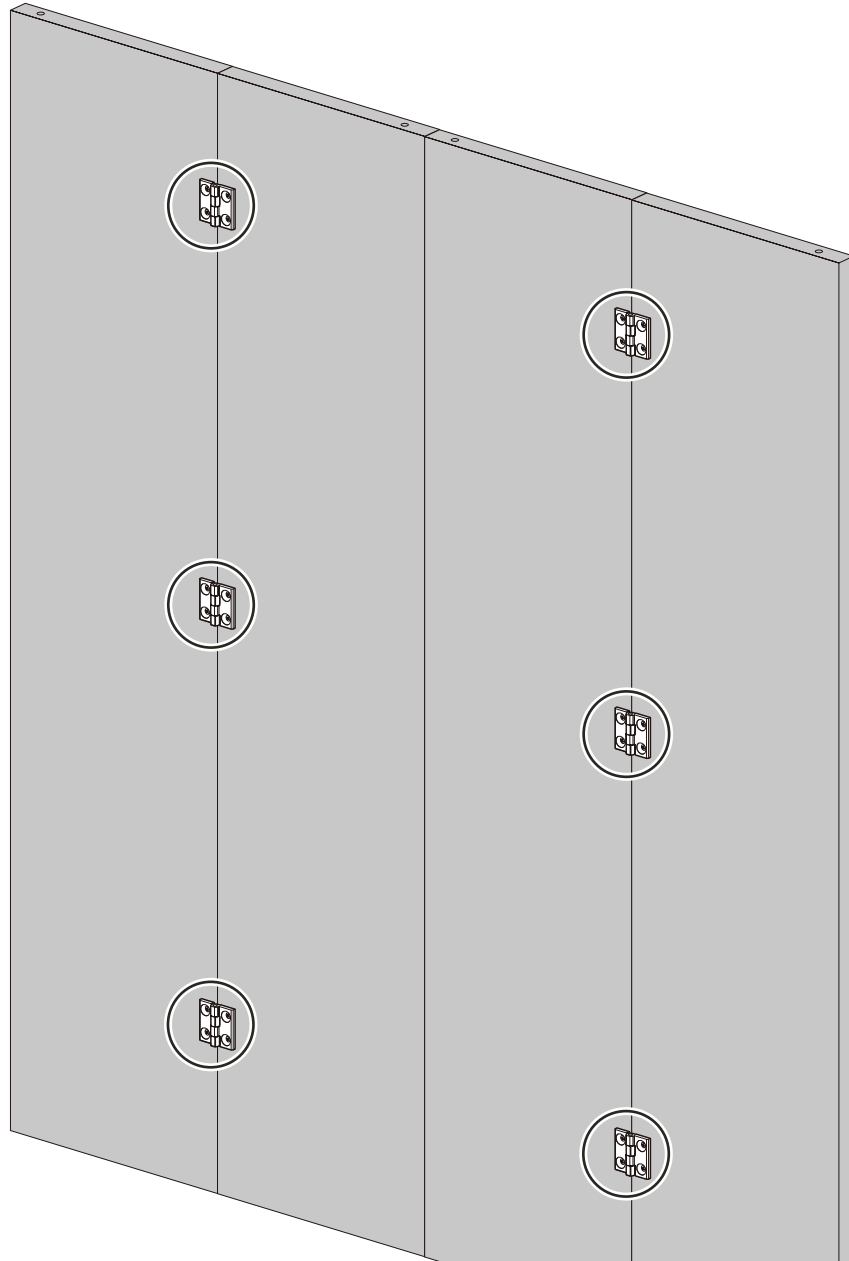
USE THE PROVIDED SCREWS TO INSTALL THE HINGES ON THE INTERIOR SIDE OF THE DOORS.

E



(x6)

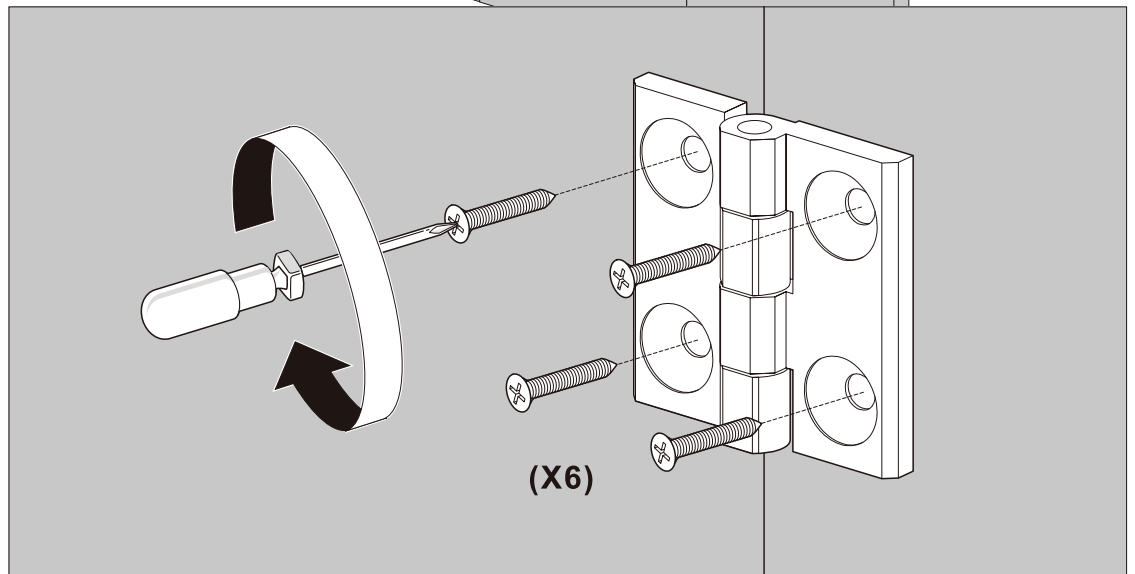
M6X25(x24)
15/64"x63/64"



INSTALL THE
TOP HINGE
4-1/2" DOWN
FROM THE TOP
OF THE DOOR.

CENTER
BOTTOM OF
THE MIDDLE
HINGE
BETWEEN THE
TOP AND THE
BOTTOM
HINGES.

INSTALL THE
BOTTOM HINGE
5-1/4" UP FROM
THE BOTTOM
EDGE OF THE
DOOR.



5

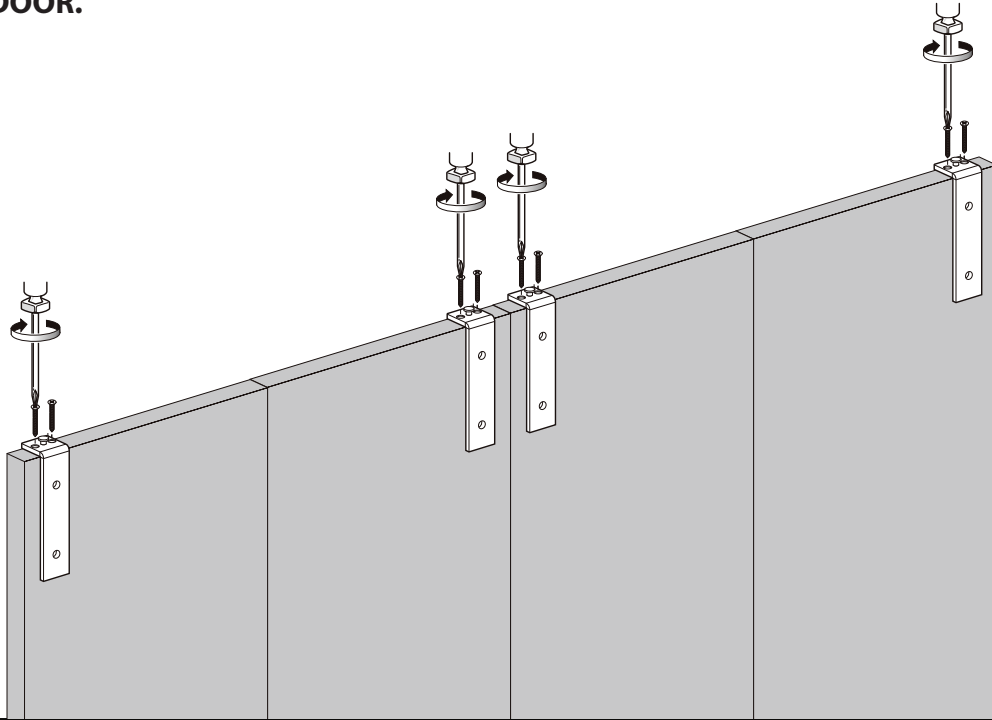
USE THE PROVIDED SCREWS TO ATTACH THE TOP OF THE DOOR STRAPS TO THE TOP EDGE OF THE DOORS. **NOTE: THE CENTER OF THE STRAPS MUST BE INSET 1-3/8" FROM THE EDGE OF THE DOOR.**

J



(x4)

ST4.8X32(x8)
3/16" x 1-17/64"

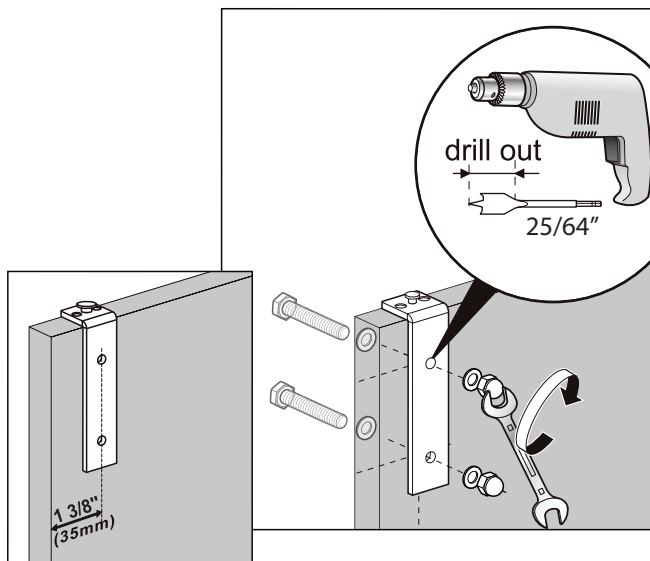


6

J

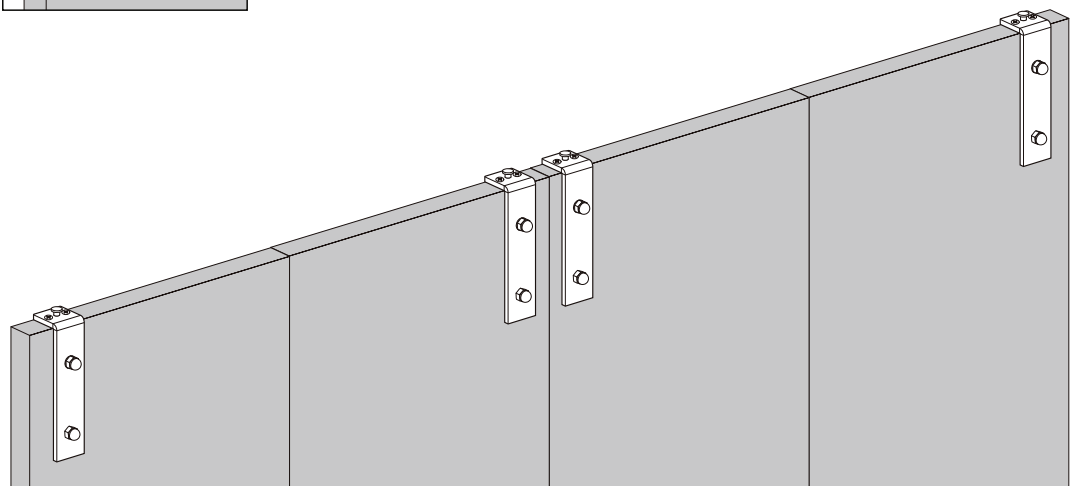


(x4)



USE A 25/64" SPADE BIT TO DRILL HOLES THROUGH THE DOORS, THEN USE THE PROVIDED BOLTS TO FASTEN THE STRAPS TO THE FRONT OF THE DOORS. USE A 16mm (~5/8") WRENCH TO TIGHTEN THE BOLTS ON THE STRAPS.

NOTE: THE CENTER OF THE STRAPS MUST BE INSET 1-3/8" FROM THE EDGE OF THE DOOR.



7

B

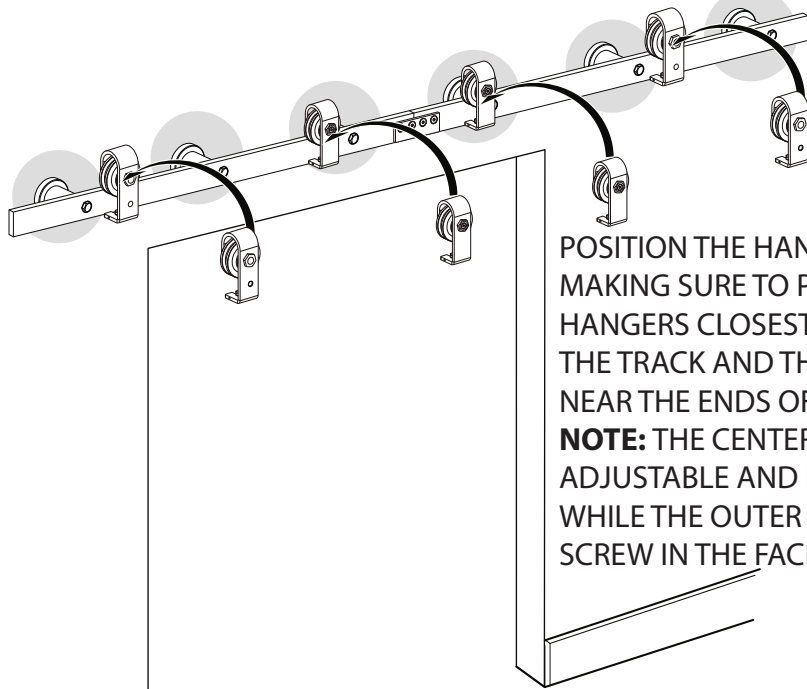


(x2)

C



(x2)



POSITION THE HANGERS ON THE TRACK, MAKING SURE TO PLACE THE CENTER HANGERS CLOSEST TO THE MIDDLE OF THE TRACK AND THE OUTER HANGERS NEAR THE ENDS OF THE TRACK. **NOTE:** THE CENTER HANGERS ARE ADJUSTABLE AND FEATURE A FLAT FACE, WHILE THE OUTER HANGERS HAVE A SET SCREW IN THE FACE.

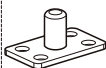
8

USE THE PROVIDED FASTENERS TO INSTALL THE DOOR PIVOTS IN THE FLOOR.



USE A 19/32" WOOD BIT TO PREP THE DOOR FOR THE PIVOT.

F



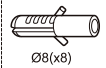
(x2)



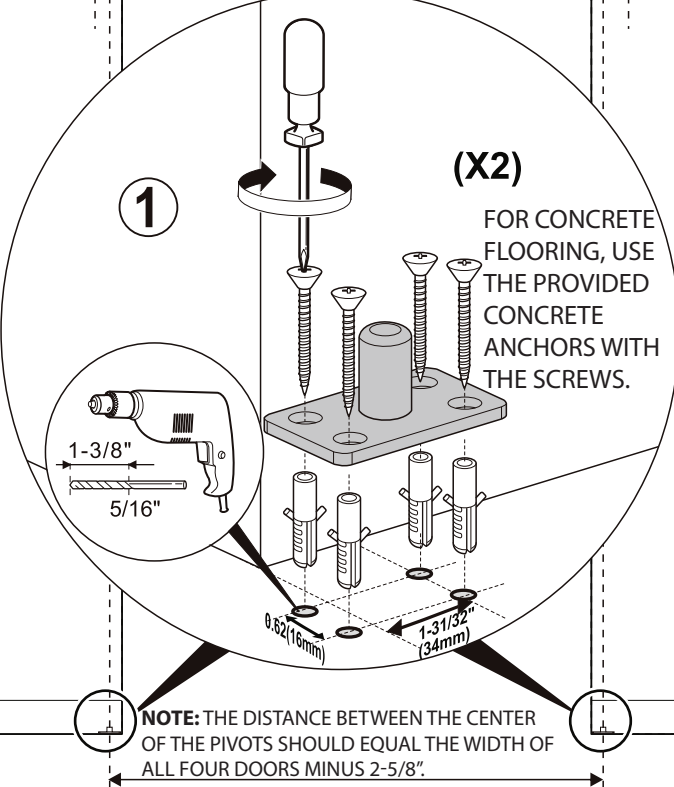
(x2)



ST4.2X32(x8)
11/64x17/64

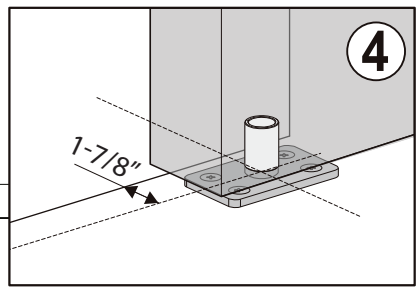
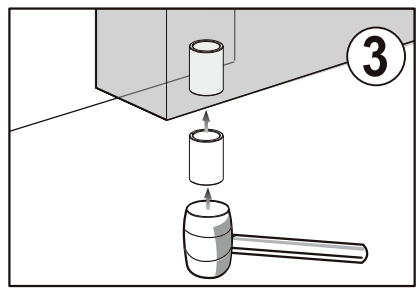
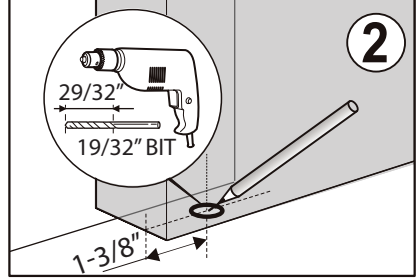


Ø8(x8)
5/16"



FOR CONCRETE FLOORING, USE THE PROVIDED CONCRETE ANCHORS WITH THE SCREWS.

NOTE: THE DISTANCE BETWEEN THE CENTER OF THE PIVOTS SHOULD EQUAL THE WIDTH OF ALL FOUR DOORS MINUS 2-5/8".



NOTE: THE CENTER OF THE PIVOT MUST MEASURE 1-7/8" FROM THE SURFACE OF THE HEADER BOARD WHERE TRACK IS MOUNTED.

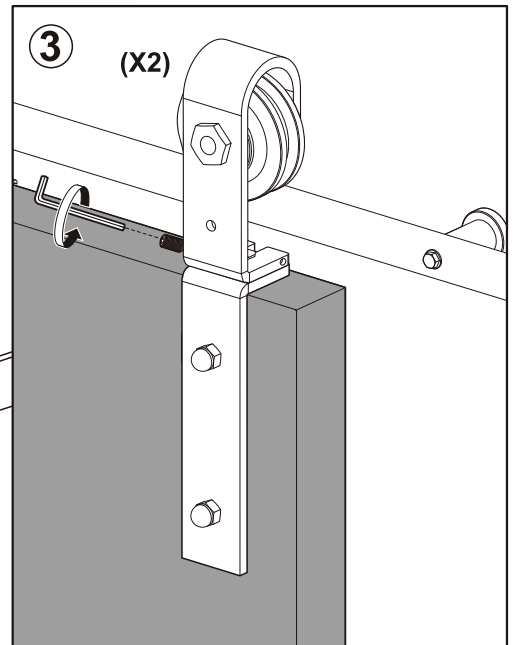
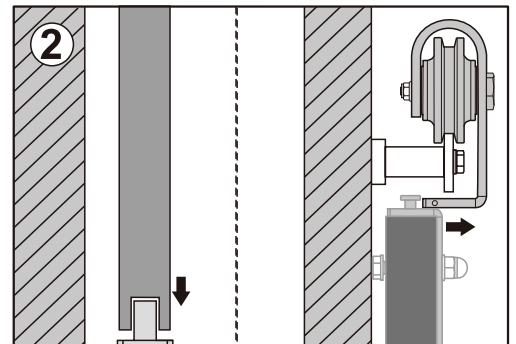
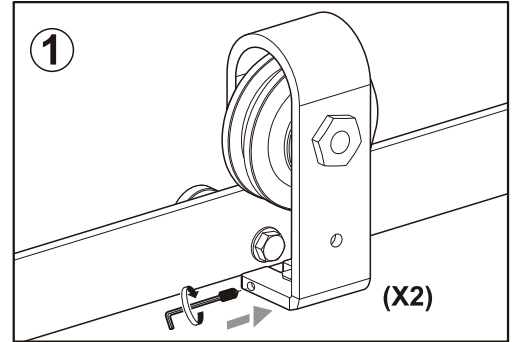
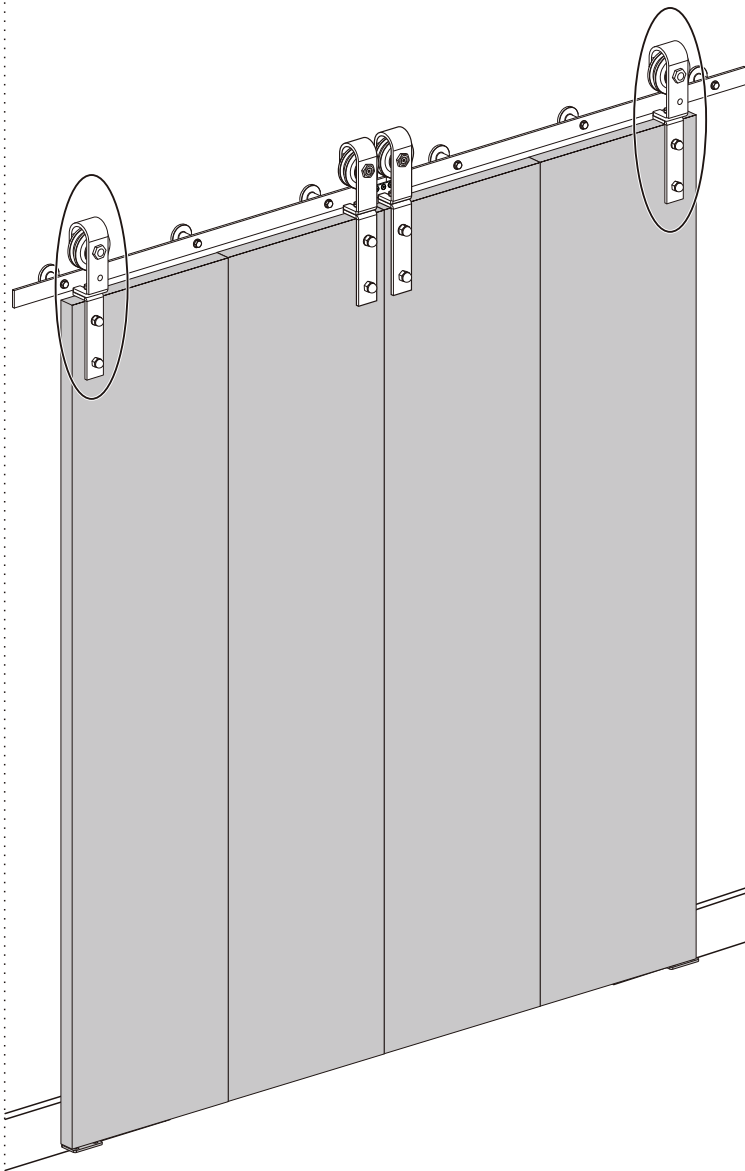
9

CONNECT THE OUTER HANGERS TO THE OUTER STRAPS AND USE THE PROVIDED ALLEN WRENCH TO TIGHTEN THEM INTO PLACE.

C



(x2)



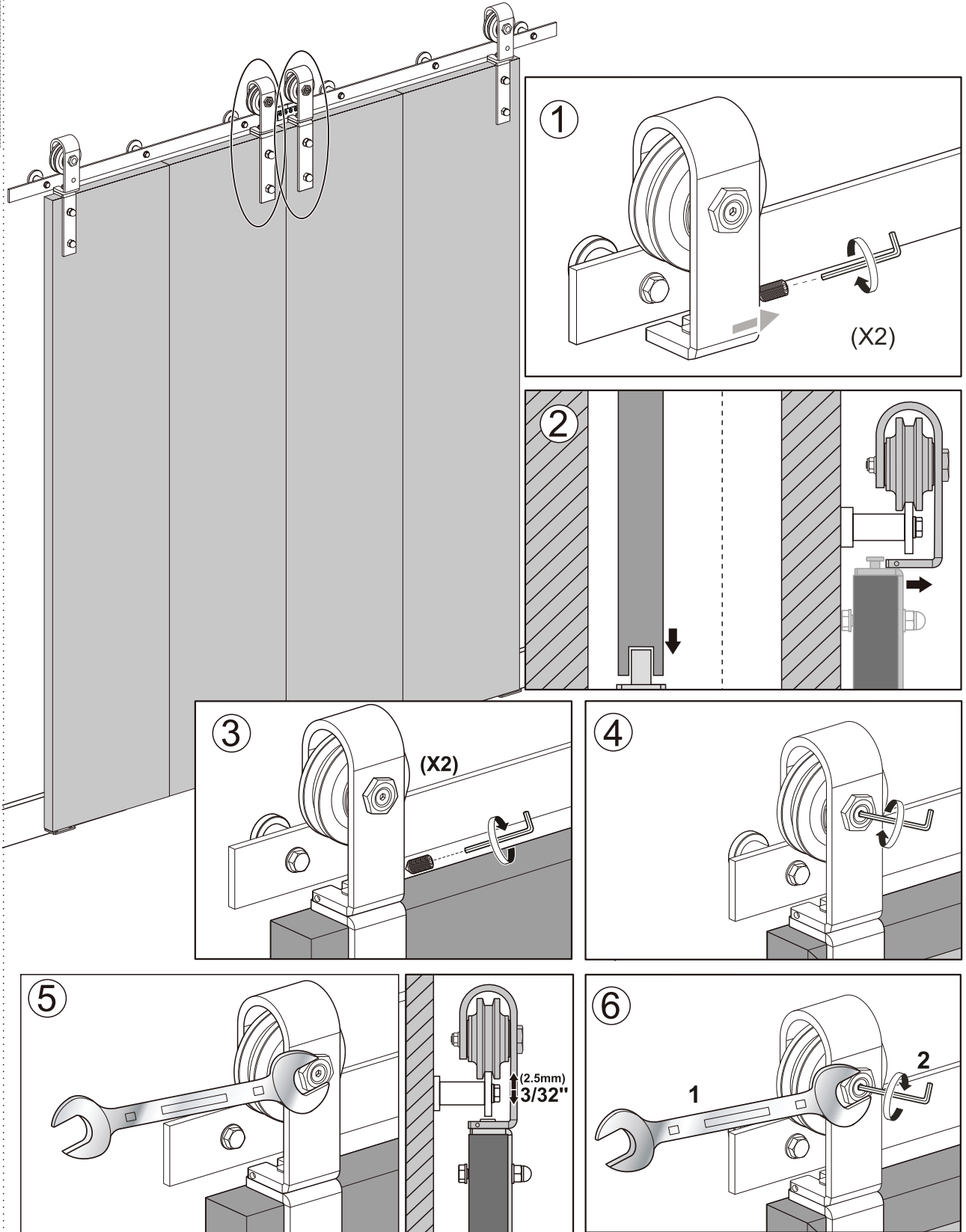
10

ATTACH THE INNER HANGERS TO THE STRAPS ON THE INNER EDGES OF THE DOORS AND USE THE PROVIDED ALLEN WRENCH TO TIGHTEN THEM INTO PLACE. USE A 22mm (~7/8") WRENCH TO ADJUST THE BOLTS ON THE FACE OF THE HANGERS.

B



(x2)



11

C



(x2)



(x2)

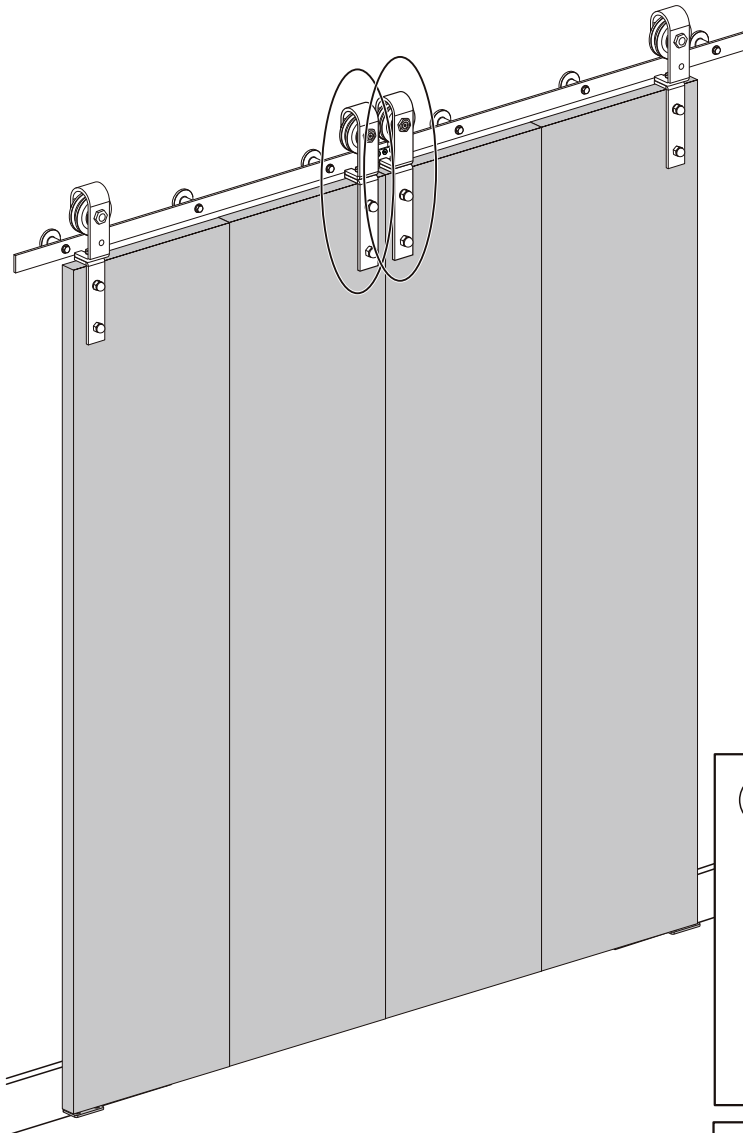
D



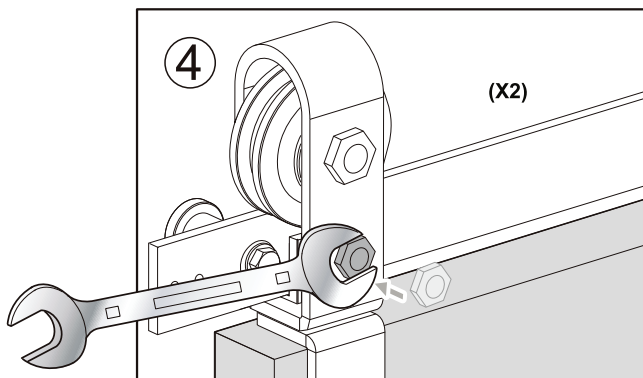
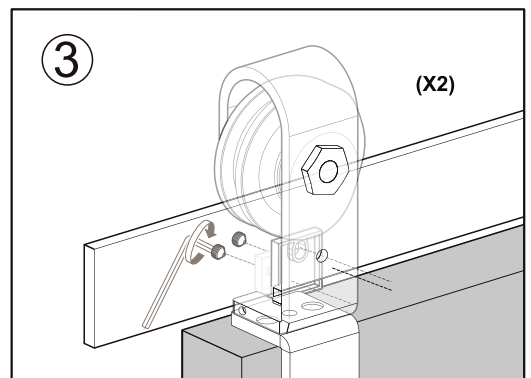
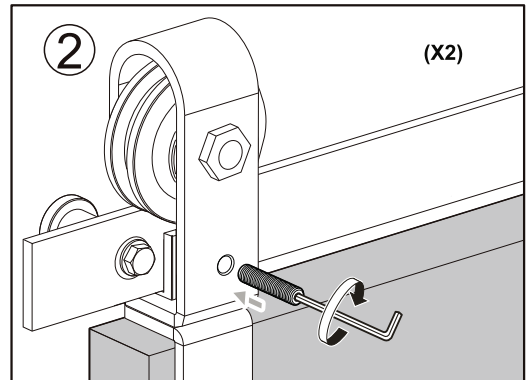
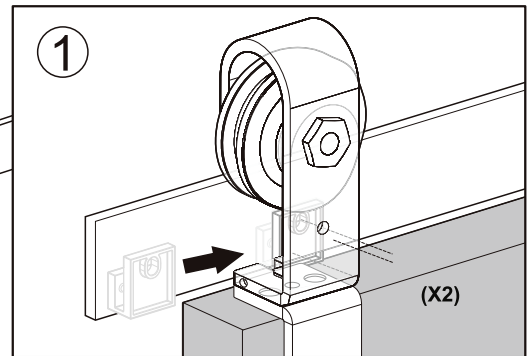
(x2)



(x4)



INSTALL THE OUTER HANGER STOPS UNDER THE OUTER HANGERS ON EACH END OF THE TRACK. USE THE PROVIDED ALLEN WRENCH TO ADJUST THE TENSION. (THE FIT WILL BE SNUG.)



12

REMOVE THE PROTECTIVE BACKING FROM THE SILENCER STRIPS AND APPLY STRIPS TO THE INNER EDGE OF THE DOORS TO HELP KEEP THE DOORS FROM RUBBING AGAINST EACH OTHER.

