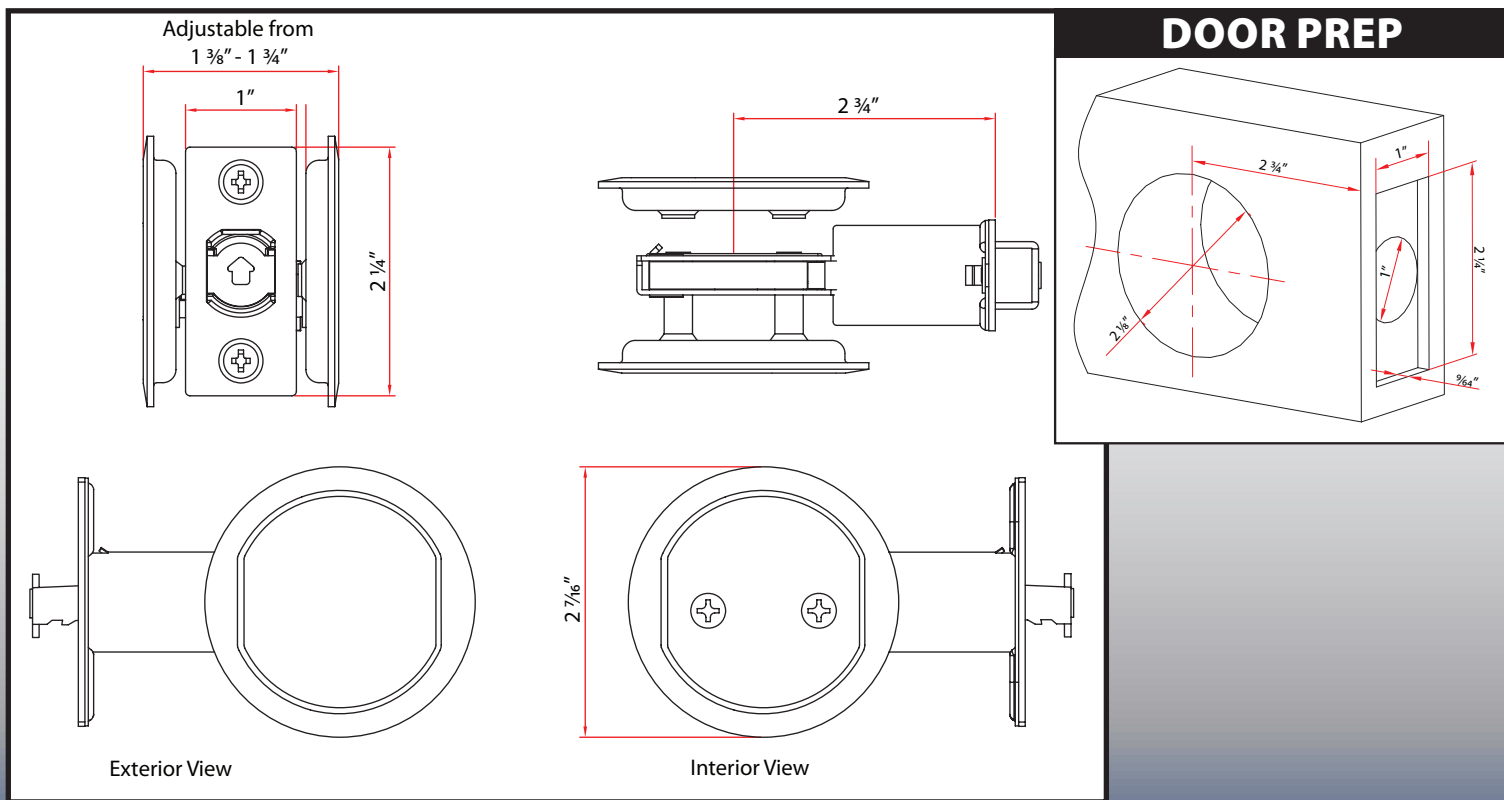




Passage Pocket Door Lock

812



Specifications:

Material
Zinc/Brass

Hardware
Includes mounting hardware

Available Finishes

Bright Brass
Vintage Bronze
Antique Nickel
Polished Chrome
Antique Brass
Satin Nickel
Matte Black
Satin Chrome

Stone Harbor Hardware

www.stoneharborhardware.com
P.O. Box 1426 • Appleton, WI 54912
© 2011 Stone Harbor Hardware LLC

Revised: 11/29/2016