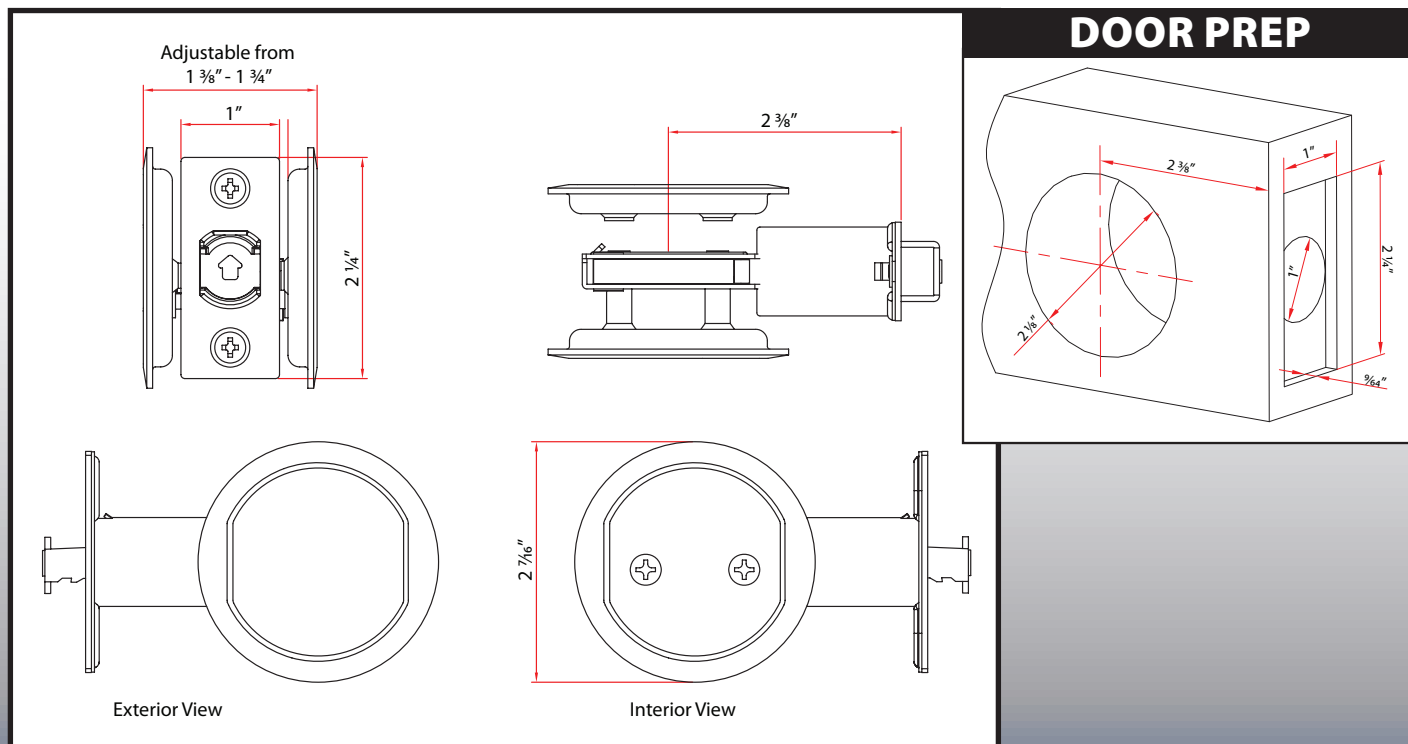




# Passage Pocket Door Lock

810



## Specifications:

**Material**  
Zinc/Brass

**Hardware**  
Includes mounting hardware

### Available Finishes

- |                 |               |
|-----------------|---------------|
| Bright Brass    | Antique Brass |
| Vintage Bronze  | Satin Nickel  |
| Antique Nickel  | Matte Black   |
| Polished Chrome | Satin Chrome  |

**Stone Harbor Hardware**

www.stoneharborhardware.com  
P.O. Box 1426 • Appleton, WI 54912  
© 2011 Stone Harbor Hardware LLC

Revised: 11/29/2016