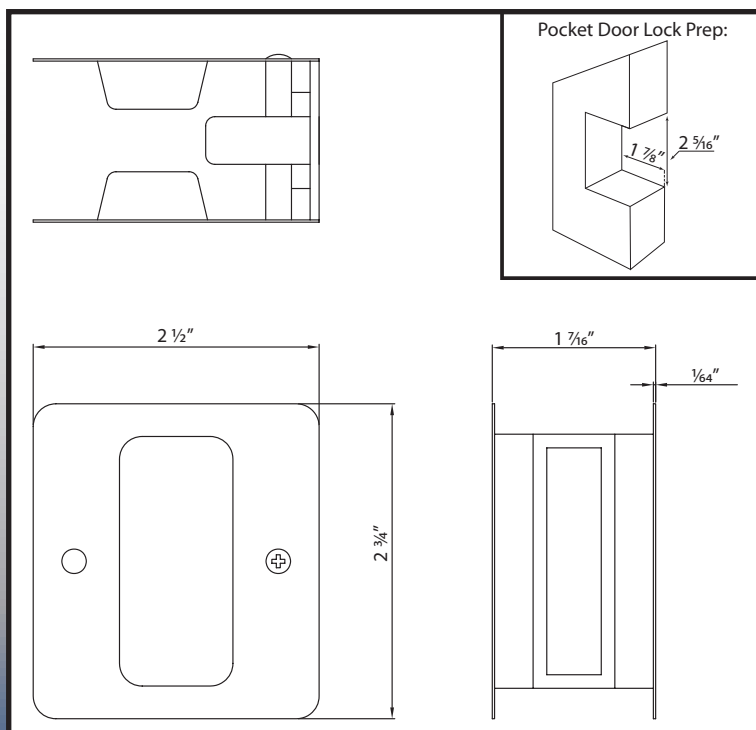




# Passage Pocket Door Lock

820



## Specifications:

**Material**  
Zinc/Brass

**Hardware**  
Includes mounting hardware  
For use on 1 3/8" thick doors

## Available Finishes

Bright Brass	Antique Brass
Oil-Rubbed Bronze	Satin Nickel
Antique Nickel	Flat Black
Bright Chrome	Satin Chrome

**Stone Harbor Hardware**

www.stoneharborhardware.com  
P.O. Box 1426 • Appleton, WI 54912  
© 2011 Stone Harbor Hardware LLC

Revised: 1/6/2015