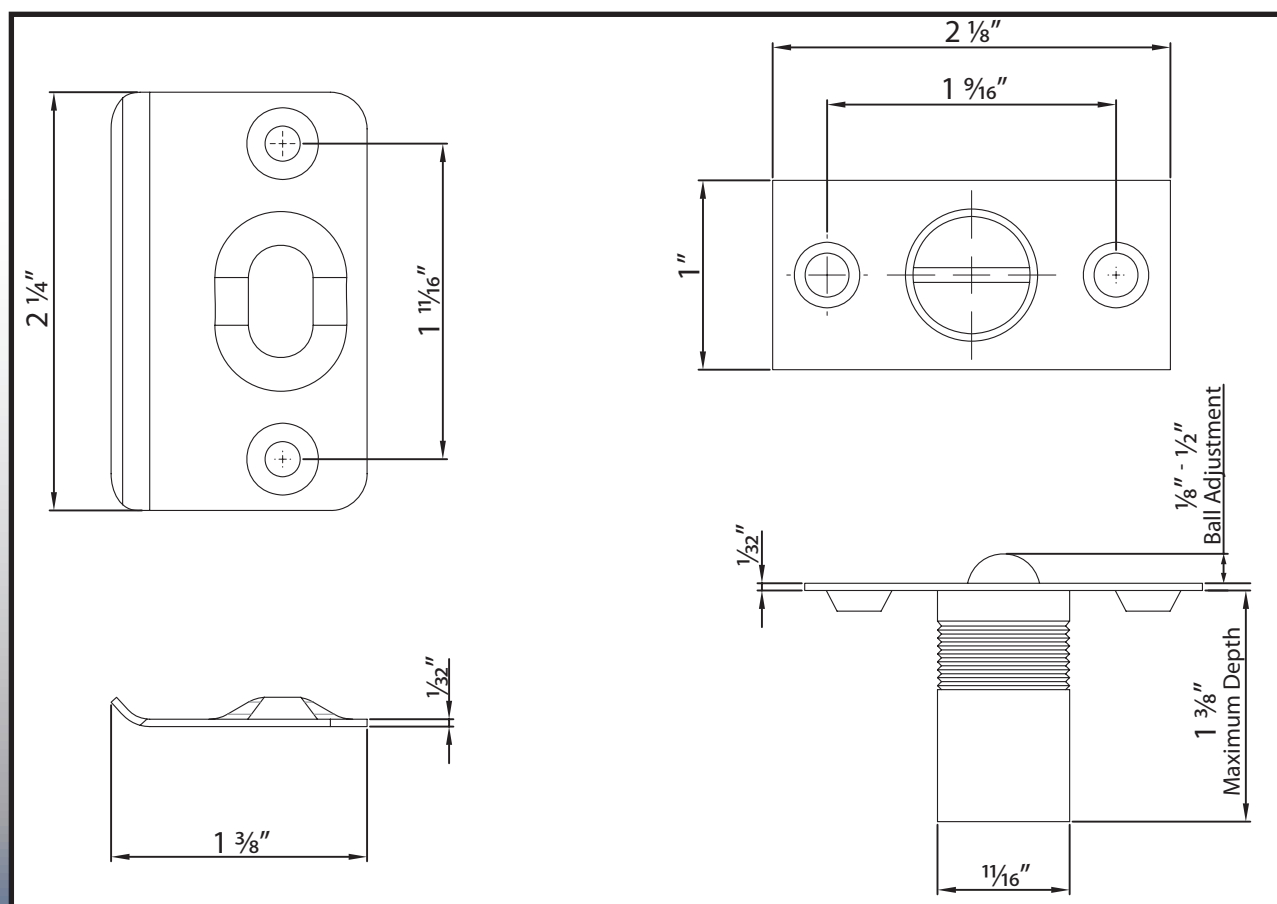




# Dual-Adjust Ball Catch

31712



## Specifications:

**Material**  
Steel

**Hardware**  
Includes mounting screws and strike

**Features**  
Dual-adjust allows you to adjust both the depth of the ball and the tension of the spring.

**Available Finishes**  
Polished Brass  
Oil-Rubbed Bronze  
Satin Nickel  
Polished Chrome  
Satin Chrome

**Stone Harbor Hardware**

www.stoneharborhardware.com  
P.O. Box 1426 • Appleton, WI 54912  
© 2011 Stone Harbor Hardware LLC

Revised: 6/12/2019