

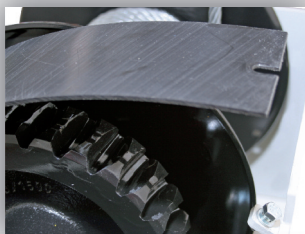
WW250-500-1000-1500 .. /D



Worm gear winch

Hand operated worm gear winch:

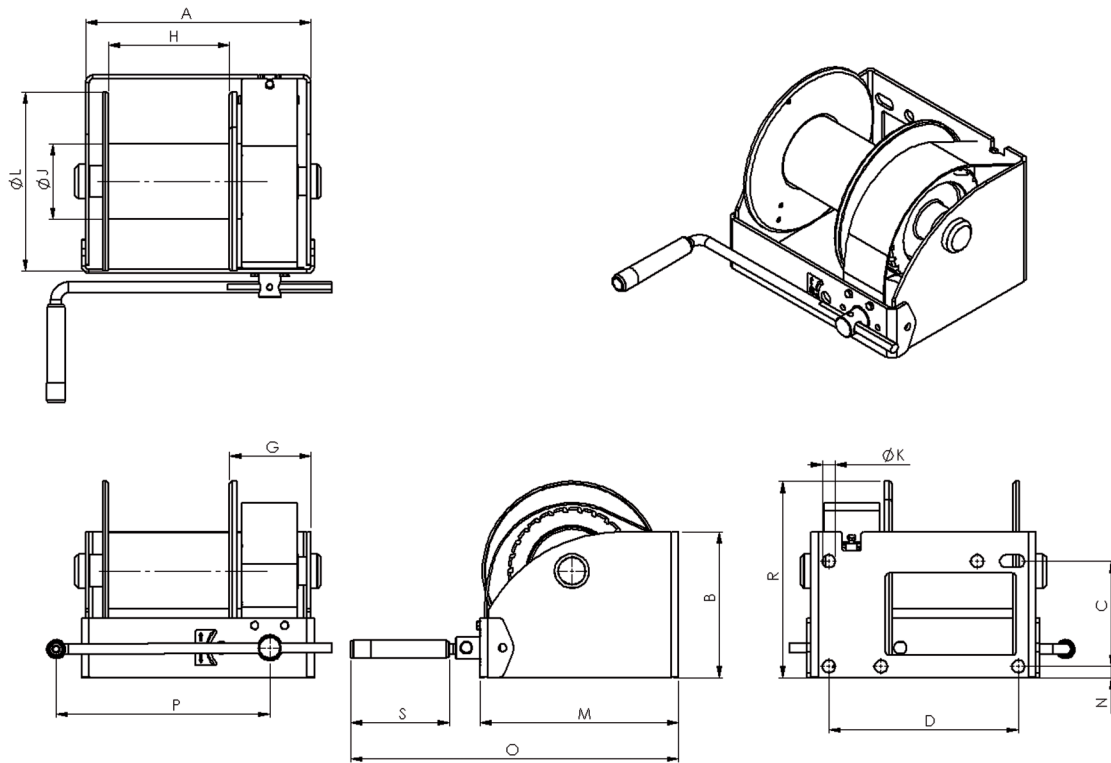
- robust and safe hoisting winch
- static safety factor of 4
- square worm-wormwheel transmission and maintenance free bearing
- cable outlet on top or rear
- adjustable crank, with ergonomic grip
- easy to grease worm-wormwheel transmission
- load pressure brake with quiet double ratchet system
- optional ATEX certified Ex II 3 GD T4, suitable for zone 2 and 22
type example WW250 GR/D/Ex
- grooved drum as extra option (GD instead of D)
- 2 cable compartments (2D instead of D)
multi compartment possible upon request
- standard paint finish 1 layer (60 - 80 Micron), or zinc-plated finish (6 - 8 Micron)
- in compliance with EN13157, DIN 15020 and Ex types ATEX 95 (94/9/EG)



GEBUWIN
metal products

Industrieweg 6 7102 DZ Winterswijk The Netherlands
T +31 (0)543 532600 F +31 (0)543 532601
info@gebuwin.com www.gebuwin.com

Technical specifications WW250-500-1000-1500 ../D



Type	Mounting	Material finish	Remarks
WW250 GR / D	Wall, 4x M12 class 8.8	Painted finish	RAL 7035 (grey)
WW250 EV / D	Wall, 4x M12 class 8.8	Zinc-plated finish	
WW500 GR / D	Wall, 4x M12 class 8.8	Painted finish	RAL 7035 (grey)
WW500 EV / D	Wall, 4x M12 class 8.8	Zinc-plated finish	
WW1000 GR / D	Wall, 4x M16 class 8.8	Painted finish	RAL 7035 (grey)
WW1000 EV / D	Wall, 4x M16 class 8.8	Zinc-plated finish	
WW1500 GR / D	Wall, 4x M16 class 8.8	Painted finish	RAL 7035 (grey)
WW1500 EV / D	Wall, 4x M16 class 8.8	Zinc-plated finish	

Dimensions (mm)	A	B	C	D	G	H	J	K	L	M	N	O	P	R	S
WW250	238	145	100	192	107	105	48	14	160	191	15	365	280	171	132
WW500	269	160	115	223	108	135	70	14	190	221	15	393	325	193	132
WW1000	302	195	141	254	109	162	102	17	240	266	15	440	350	263	132
WW1500	302	250	178	254	109	162	102	17	240	278	15	451	350	306	132

Technical specifications	WW250	WW500	WW1000	WW1500
Capacity:				
1 st cable layer	250 kg	500 kg	1000 kg	1500 kg
Last cable layer	92 kg	224 kg	527 kg	846 kg
Crankforce 1 st cable position	6 daN	10 daN	13 daN	14 daN
Hoisting length by one rotation of crank , 1 st layer	17 mm	20 mm	13 mm	9 mm
Max.cable storage (one drum compartment)	104 m	78 m	63 m	41 m
Diameter cable (EN 12383-4)	4 mm	6 mm	8 mm	10 mm
Min. breaking load cable	9 kN	17 kN	34 kN	51 kN
Own weight	13 kg	16 kg	29 kg	28kg