

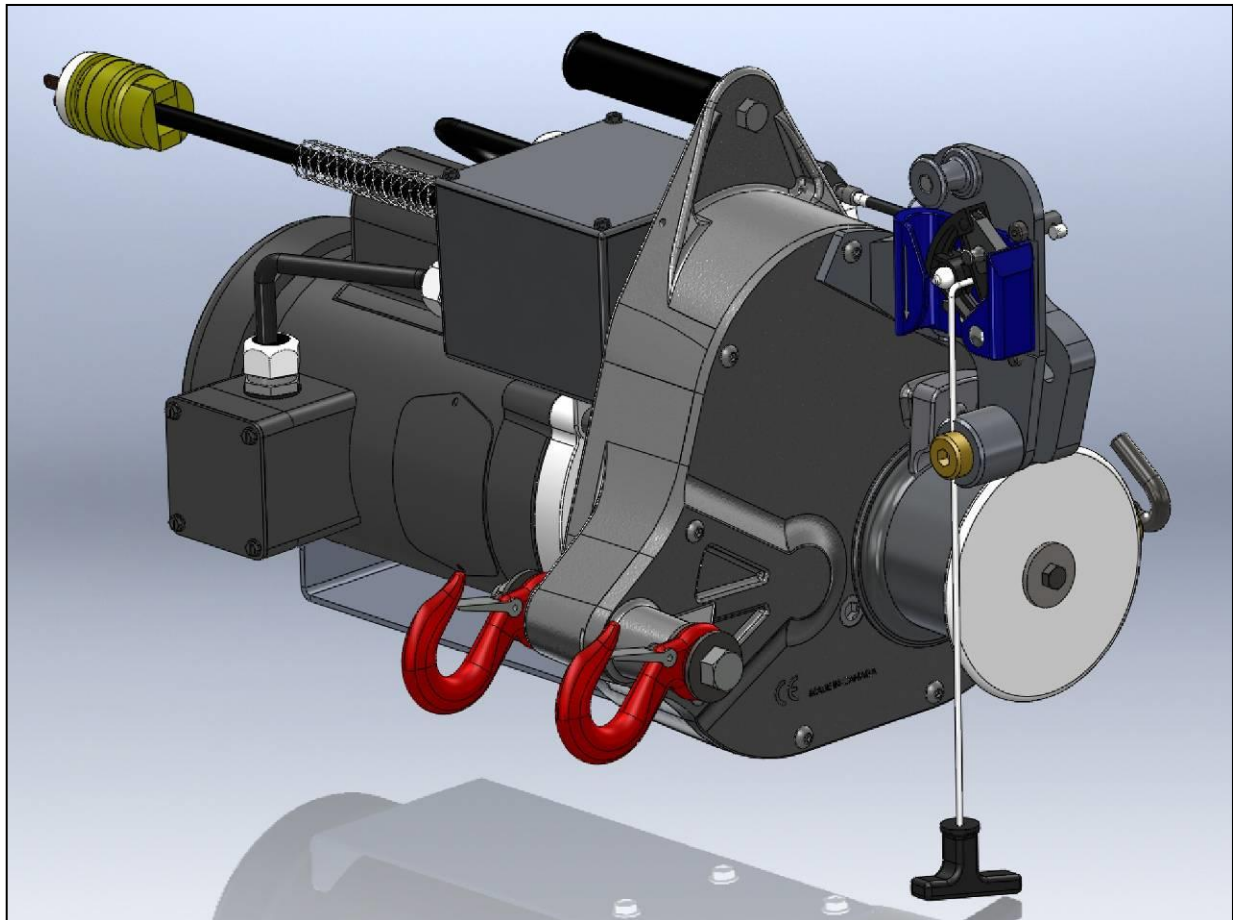


READ  
CAREFULLY  
BEFORE USE

# Portable Winch Co.

**PORTABLE CAPSTAN AC ELECTRIC PULLING/LIFTING WINCH™  
PCT1800-50Hz-P & PCT1800-60Hz-P**

## USER MANUAL



**Maximum pulling force (single line): 820 kg (1800 lb)  
Rated lifting capacity (single line): 250 kg (550 lb)**



[www.portablewinch.com](http://www.portablewinch.com)

© 2013 Portable Winch Co. - All Rights Reserved  
English version

## **Summary**

### **Introduction – p. 3**

#### **1.0 Safety guidelines – p. 3**

- 1.1 Safety messages – p. 3
- 1.2 Labels – p. 4
  - 1.2.1 Serial number and warning label – p. 4
  - 1.2.2 Rope 'DANGER' label – p. 4
- 1.3 Safety information – p. 4

#### **2.0 Before first use – p. 6**

- 2.1 Upon receiving the winch – p. 6
- 2.2 Capstan drum – p. 6

#### **3.0 Winch usage – p. 7**

- 3.1 Working cycle – p. 8
- 3.2 Rope – p. 8
  - 3.2.1 Rope type – p. 8
  - 3.2.2 Rope maintenance – p. 8
  - 3.2.3 At the end of the rope – p. 9
    - 3.2.3.1 Recommendations – p. 9
      - 3.2.3.1.1 When pulling – p. 9
      - 3.2.3.1.2 When lifting – Rope with buried eyed splice – p. 9
- 3.3 Winch anchors – p. 10
  - 3.3.1 Using the polyester sling – p. 10
  - 3.3.2 Using the hitch plate winch anchor for tow balls – p. 11
  - 3.3.3 Using the winch support plate with square tubing – p. 11
  - 3.3.4 Using the winch support plate with Heck-Pack system for European balls – p. 12
  - 3.3.5 Using the tree/pole mount with anchor strap – p. 13
    - 3.3.5.1 With the winch support plate – p. 13
    - 3.3.5.2 With the vertical pull winch support – p. 14
  - 3.3.6 Using the vertical pull winch support with square tubing – p. 16
- 3.4 Moving a load – p. 17
  - 3.4.1 Installing the rope on the PCT1800 Winch – p. 18
  - 3.4.2 Lifting – p. 19
    - 3.4.2.1 Load lifting chart – p. 19
    - 3.4.2.2 Lifting operation – p. 20
    - 3.4.2.3 Lowering a load – p. 20
    - 3.4.2.4 Sending the rope back down – p. 22
  - 3.4.3 Pulling – p. 22
    - 3.4.3.1 Releasing the tension – p. 23
      - 3.4.3.1.1 When pulling with the rope grabbing system engaged – p. 23
      - 3.4.3.1.2 When pulling with the rope grabbing system disengaged – p. 23
- 3.5 If the PCT1800 AC Electric Portable Capstan Pulling/Lifting Winch doesn't work – p. 23

#### **4.0 Maintenance – p. 23**

- 4.1 Cleaning – p. 23
- 4.2 Lubrication – p. 24
- 4.3 AC Electric motor – p. 24
- 4.4 Storage – p. 24

#### **5.0 Complementary information – p. 24**

- 5.1 Accessories – p. 24
- 5.2 Serial number localization – p. 24
- 5.3 Warranty – p. 25
- 5.4 CE Declaration of conformity – p. 26
- 5.5 Exploded view and parts list – p. 27
- 5.6 Electrical diagrams – p. 29
- 5.7 Technical data – p. 30
- 5.8 Periodical tests – p. 31
- 5.9 Manufacturer – p. 31

#### **Schedule 1. Examining the rope – p. 32**

## **Introduction**

Portable Winch Co. wishes to thank you for purchasing a *PCT1800 AC Electric Portable Capstan Pulling/Lifting Winch™*. This manual was written to help you make the best use of your new winch and to use it in the most secure way. **READ IT CAREFULLY BEFORE USING THE WINCH.** For any problems or questions please refer to an authorized Portable Winch Co. dealer or contact us directly.

### **1.0 Safety guidelines**

The *PCT1800 AC Electric Portable Capstan Pulling/Lifting Winch™* is designed for lifting objects at angles up to vertical. It is fitted with a rope grabbing system that can maintain the load in position and provide stop and go operation. **THE ROPE GRABBING SYSTEM IS NOT DESIGNED TO STOP A FAST MOVING LOAD OR TO LIFT PEOPLE.** The use of a lifting device implies serious risks of injuries, property damage or even death. **DO NOT UNDERESTIMATE ITS POTENTIAL DANGER.**

**⚠ WARNING** **WHEN LIFTING**, NEVER GO OVER THE RATED LIFTING CAPACITY (250 kg (550 lb)) SINGLE LINE.

**⚠ WARNING** **WHEN LIFTING**, NEVER BYPASS THE ROPE GRABBING SYSTEM.

**⚠ WARNING** NEVER SHOCKLOAD THE SYSTEM.

**⚠ WARNING** NEVER OPERATE THE WINCH WITHOUT PROPER TRAINING AND SUPERVISION. REMEMBER **THE FIRST CAUSE OF ACCIDENT IS HUMAN ERROR.** MAKE SURE EVERY PERSON HAS RECEIVED THE APPROPRIATE TRAINING FOR THE JOB.


**⚠ CAUTION** THE MANUFACTURER IS NOT RESPONSIBLE FOR DAMAGE CAUSED BY NEGLECTING TO FOLLOW THE GUIDELINES AND BY NEGLECTING TO FOLLOW SAFETY REGULATIONS.

In particular, the USER has the obligation to verify:

- a) If the electrical receptacle is equipped with a ground compatible with the connector;
- b) If the electrical system is adequate;
- c) The implementation of safety measures to prevent loads from falling.

#### **1.1 Safety messages**

Your safety and the safety of others are very important. You will find important safety messages in this manual. **READ THEM CAREFULLY.**

These security messages are warning you of potential injuries to either you or others. Every safety message is preceded by a warning symbol  and one of the following terms: DANGER, WARNING or CAUTION.

**These indicator words mean:**

**⚠ DANGER** You WILL be MORTALLY or SEVERELY INJURED if you do not follow these instructions.

**⚠ WARNING** You COULD be MORTALLY or SEVERELY INJURED if you do not follow these instructions.

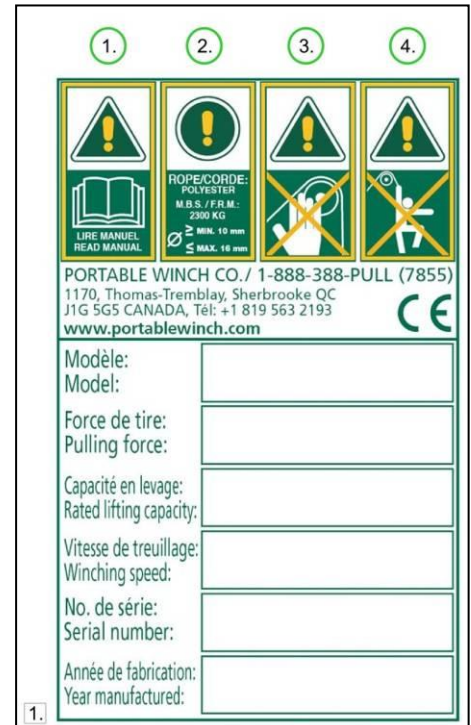
**⚠ CAUTION** You COULD be INJURED if you do not follow these instructions.

**1.2 Labels**

**1.2.1 Serial number and warning label**

The *serial number and warning label* is positioned on the right side of the winch housing. Read the meaning of all four icons (figure 1 to the right):

1. Read this instruction manual and Baldor engine user’s manual prior to using the winch.
2. Only use low-stretch rope. Minimum diameter: 12 mm (1/2”). Maximum diameter: 13 mm (1/2”).
3. Never place your hands near the moving parts while the engine is running.
4. Never use the winch for lifting people.



**1.2.2 Rope ‘DANGER’ label**

The *rope ‘DANGER’ label* is positioned on the top of the winch housing. The meaning of the icon in figure 1 to the right is:

1. It is IMPERATIVE to use ONLY Portable Winch Co. double braided polyester rope 12-13 mm (1/2”) with buried eyed splice and a minimal breaking strength of 3150 kg (6945 lb).



**1.3 Safety information**

**⚠ WARNING** DO NOT LET CHILDREN USE THE *PCT1800 AC ELECTRIC PORTABLE CAPSTAN PULLING/LIFTING WINCH™*. KEEP CHILDREN AND ANIMALS AWAY FROM THE WORK AREA.

**⚠ WARNING** NEVER LET SOMEONE WITHOUT TRAINING USE THE *PCT1800 AC ELECTRIC PORTABLE CAPSTAN PULLING/LIFTING WINCH™*. MAKE SURE THE USER KNOWS ABOUT THE SAFETY AND USAGE PROCEDURES AND HAS READ THIS MANUAL

AND THE BALDOR MOTOR LEAFLET. THE OPERATOR SHOULD BE ABLE TO OPERATE A LIFTING DEVICE AND BE AWARE OF ALL ASPECTS OF SUCH OPERATIONS. HE SHOULD ALSO BE AWARE OF LOCAL REGULATION.

**▲ WARNING** INFORM ALL USERS OF THE SAFETY GUIDELINES AND USAGE PROCEDURES.

**▲ WARNING** FAMILIARIZE YOURSELF WITH THE PRODUCT AND THE SAFETY GUIDELINES BEFORE WORKING WITH THIS WINCH.

**▲ WARNING** MAKE SURE THAT YOUR CLOTHES ARE NOT GOING TO GET CAUGHT INTO THE WINCH MOBILE PARTS.

**▲ WARNING** USE ONLY 12 MM TO 13 MM (1/2") DIAMETER DOUBLE BRAID PORTABLE WINCH CO. POLYESTER ROPE WITH THIS WINCH.

**▲ WARNING** ALWAYS USE THE *PCT1800 AC ELECTRIC PORTABLE CAPSTAN PULLING/LIFTING WINCH™* HORIZONTALLY, USING A PULLEY OR THE VERTICAL PULL WINCH SUPPORT TO REDIRECT THE ROPE VERTICALLY.

**▲ CAUTION** REPLACE ANY SAFETY LABELS THAT ARE DAMAGED, ILLEGIBLE OR MISSING.

**▲ WARNING** NEVER PUT YOUR HANDS ON THE CAPSTAN DRUM, THE ROPE GRABBING SYSTEM, THE ROPE ENTRY PULLEY OR NEAR THE ROPE GUIDE WHEN THE MOTOR IS CONNECTED TO POWER SOURCE.

**▲ WARNING** ALWAYS KEEP BYSTANDERS OUTSIDE THE WORKING AREA.

**▲ DANGER** NEVER PULL ROLLING OBJECTS THAT MIGHT ROLL OUT OF YOUR CONTROL.

**▲ WARNING** NEVER TRY TO MOVE FIXED OR OBSTRUCTED LOADS.

**▲ WARNING** AVOID EXCESSIVE INCHING (E.G. GIVING SHORT PULSES TO THE MOTOR).

**▲ WARNING** ALWAYS INITIATE MOVEMENTS OF THE LOAD WITH THE LOWEST AVAILABLE SPEED. THE ROPE SHALL BE TIGHTENED AND SHALL NOT BE IN THE SLACK-CONDITION WHEN THE LOAD MOVEMENT BEGINS.

**▲ WARNING** SIDE-PULL OF LOAD IS NOT ALLOWED WITH THIS WINCH.

**▲ WARNING** KEEP IN MIND THAT YOUR SET-UP IS ONLY AS RESISTANT AS THE WEAKEST LINK. THIS IS WHY IT IS VERY IMPORTANT TO USE THE ADEQUATE

ACCESSORIES IN ACCORDANCE WITH THE JOB TO BE DONE. IN THIS CASE (LIFTING), IT IS RECOMMENDED TO HAVE A **10 TO 1 SAFETY FACTOR** FOR ALL ACCESSORIES.

**⚠ DANGER IT IS STRICTLY FORBIDDEN TO:**

- LIFT LOADS WITH A WEIGHT GREATER THAN TO THE RATED LIFTING CAPACITY (250 KG (550 LB));
- TO LIFT LOADS THAT IMPAIR THE OPERATOR'S VISIBILITY OR THAT COULD COLLIDE WITH OTHER MOVING LOADS OR WITH ADJACENT STRUCTURES;
- USE THE WINCH TO LIFT PEOPLE;
- ALLOW PEOPLE TO PASS UNDER A SUSPENDED LOAD;
- LIFT LOADS THAT ARE POORLY SLINGED;
- LEAVE SUSPENDED LOADS UNATTENDED;
- ALLOW OTHER PEOPLE TO USE THE WINCH.

**2.0 Before first use**

**2.1 Upon receiving the winch**

Inspect the box to detect any apparent damage. If there is damage or missing parts, inform the carrier immediately.

**2.2 Capstan drum**

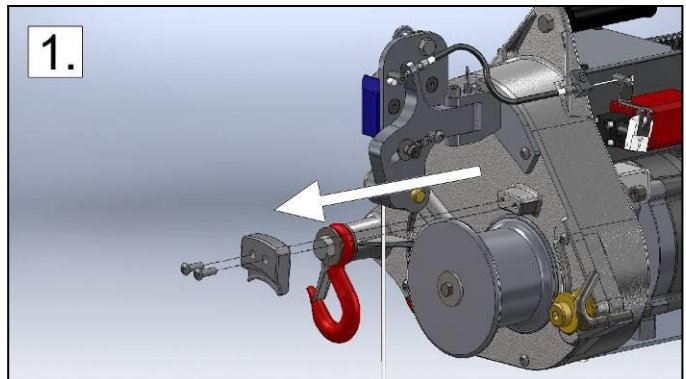
Your *PCT1800 AC Electric Portable Capstan Pulling/Lifting Winch™* is equipped with the 85 mm (3-3/8") diameter capstan drum and the 127 mm (5") diameter safety lip.

If you wish to change the drum for the 57 mm (2-1/4") drum (sold separately), you will also need to purchase and install the 117 mm (4-5/8") diameter safety lip. To do so, follow these simple steps:

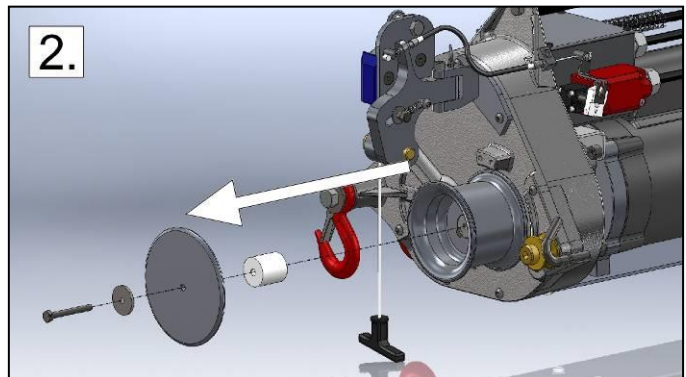
The tools required to change the drum are:

- A 4 mm (5/32") hex wrench (included with your winch).
- An 11 mm (7/16") wrench or adjustable wrench (not included).

1) Figure 1: Remove the two bolts holding the rope guide and then, remove the rope guide;

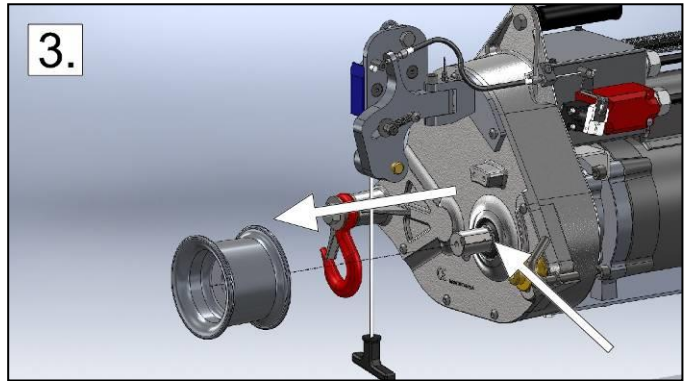


2) Figure 2: Remove the hex bolt holding the safety lip and drum using the 11 mm (7/16") wrench. Then, remove the washer, the safety lip and the spacer bushing;

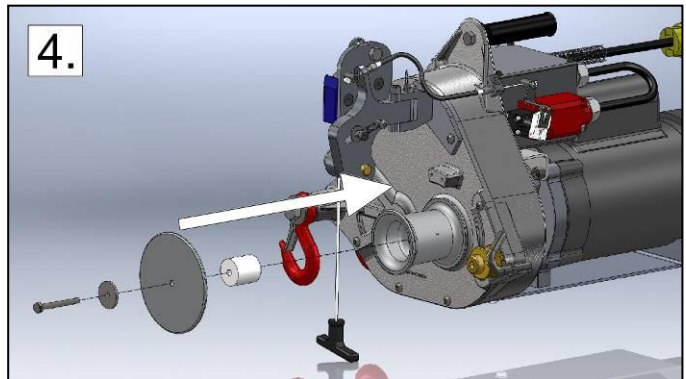




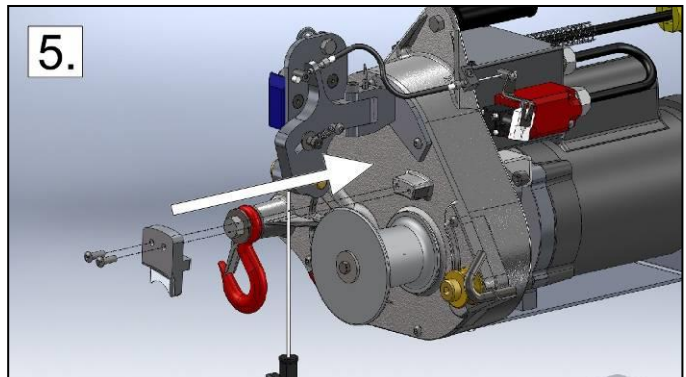
- 3) Figure 3: Remove the drum from the shaft. If necessary, you may push it forward with two screwdrivers. **Make sure that the shaft key stays in place.**



- 4) Figure 4: Insert the 57 mm (2-1/4") drum on the winch shaft. Insert the washer, the 117 mm (4-5/8") safety lip and the spacer bushing on the hex bolt and insert this assembly in the hole of the shaft. Then, tighten the hex bolt with the 11 mm (7/16") wrench;



- 5) Figure 5: Insert the new rope guide in position and tighten it using the two (2) bolts.

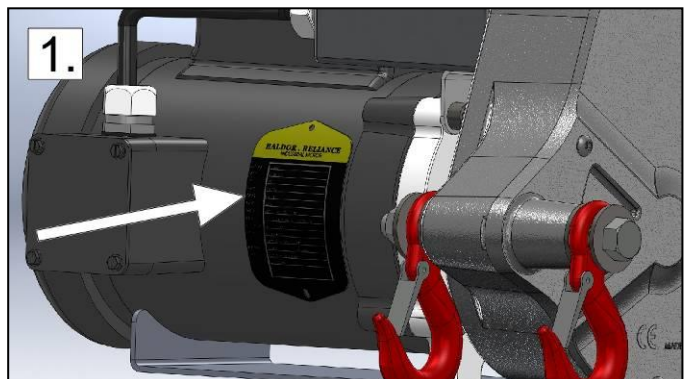


**IMPORTANT: Make sure that the rope guide is not in contact with the capstan drum.**

### 3.0 Winch usage

**⚠ WARNING** MOST WINCHING SITUATIONS PRESENT **POTENTIAL DANGERS!**

The winch must be plugged into a grounded plug. The use of an extension cord can cause a loss of power at full capacity. As listed on the product label (figure 1), make sure the voltage and current type are respected. Units 115V-60hz require 20 amps while the units 220V-50hz require 10 amps.



### **3.1 Working cycle**

This *PCT1800 AC Electric Portable Capstan Pulling/Lifting Winch™* is designed for intermittent use. The engine manufacturer recommends an engine duty cycle of 25%. So, to get a maximum lifetime out of the engine, it should only be used for fifteen (15) minutes period every hour. This data varies depending on the loads pulled or lifted. Light loads can be lifted or pulled continuously without affecting the life of the engine. **Continuous pulls are however less damageable for the motor than frequents stop and go.**

### **3.2 Rope**

**⚠ WARNING** STAY OUT OF THE WINCH LINE'S PATH.

#### **3.2.1 Rope type**

**⚠ WARNING** USE **ONLY** LOW STRETCH 12 OR 13 MM (1/2") DIAMETER PORTABLE WINCH CO. DOUBLE BRAIDED POLYESTER ROPE WITH A MINIMAL BREAKING POINT OF 3150 KG (6945 LB) WITH THIS WINCH. PLEASE CONTACT US FOR OTHER ROPE TYPE'S SUITABILITY.

**⚠ WARNING** DO NOT USE 3-STRAND POLYPROPYLENE YELLOW ROPE!

- Polypropylene and polyethylene ropes are dangerous for winching because of their great elasticity and low melt point.
- Make sure the rope is not damaged and that it offers an adequate resistance to pull the load.

**⚠ WARNING** STRETCH EQUALS DANGER!

- A stretched rope can recoil and cause serious burns as the rope leaves your hand.
- All ropes stretch: a longer one more than a shorter one. The more you pull, the more it stretches.
- A stretched rope can also move the load in an unpredictable or dangerous way.
- A stretched rope can recoil and bring your hand towards the winch causing severe injuries. **NEVER WRAP THE ROPE AROUND YOUR HAND.**

**⚠ CAUTION** ALWAYS WEAR GLOVES.

#### **3.2.2 Rope maintenance**

**⚠ CAUTION** The rope and its ends should be inspected regularly to detect wear. Please refer to *CI 2001 Document - FIBER ROPE INSPECTION AND RETIREMENT CRITERIA* from the Cordage Institute available at [www.ropecord.com](http://www.ropecord.com) for the procedure and criteria of scrapping the rope.

You will find a chart located at the end of this manual to better help you register your observations.



**⚠ CAUTION** IF YOUR ROPE IS DIRTY, WASH IT. DIRTY ROPES DETERIORATE FASTER AND CAUSE PREMATURE WEAR OF THE PARTS IN CONTACT WITH THE ROPE SUCH AS THE CAPSTAN DRUM AND ROPE GUIDE.

### 3.2.3 At the end of the rope

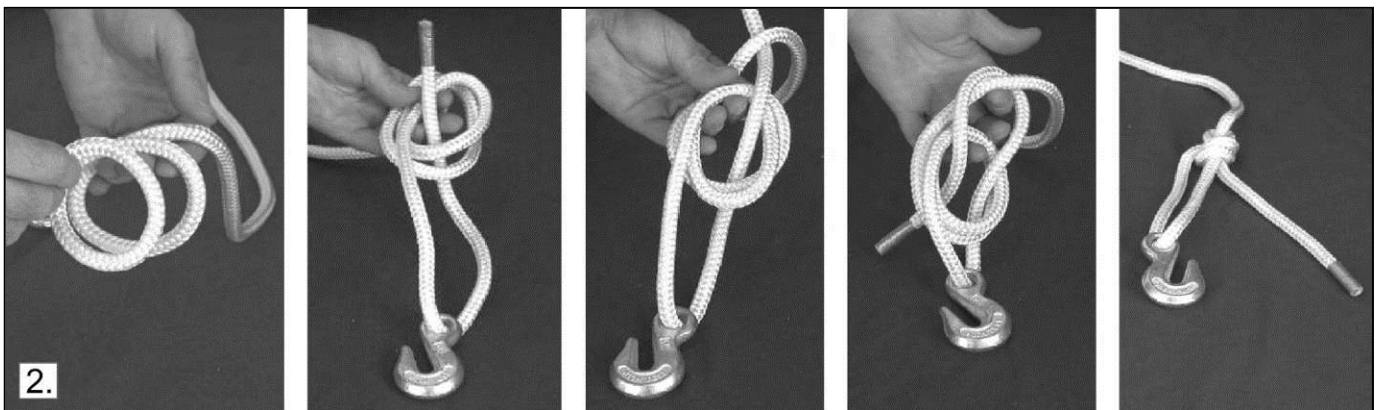
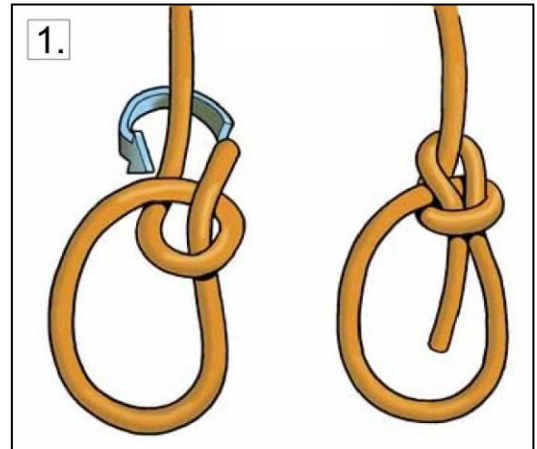
#### 3.2.3.1 Recommendations

Since the *PCT1800 AC Electric Portable Capstan Pulling/Lifting Winch™* can be used for pulling and lifting, there are some guidelines to follow:

##### 3.2.3.2.1 When pulling

For pulling loads, you have to attach the load to the end of the rope. Even if a simple knot can do the job, we recommend the installation of a hook with the bowline knot (figure 1 on the right) because it can be easily undone if you need to change the hook. Moreover, it retains about 70% of the rope's capacity while most knots will reduce it by more than 50%.

Even better, the double bowline knot (figure 2 below) will keep about 75% of your rope's capacity.



##### 3.2.3.1.2 When lifting - Rope with buried eyed splice

For lifting, again, you have to attach the load to the end of the rope. Even if you believe that a bowline knot could do the job, it is **STRONGLY RECOMMENDED** to use the Portable Winch Co. rope with buried eyed splice. The installation of a hook with a strong enough safety factor carabiner or shackle to the rope will help prevent any problems that might occur in case of knot failure.

**NOTE:** Please, check with local authority for safety regulation in your area.



### **3.3 Winch anchors**

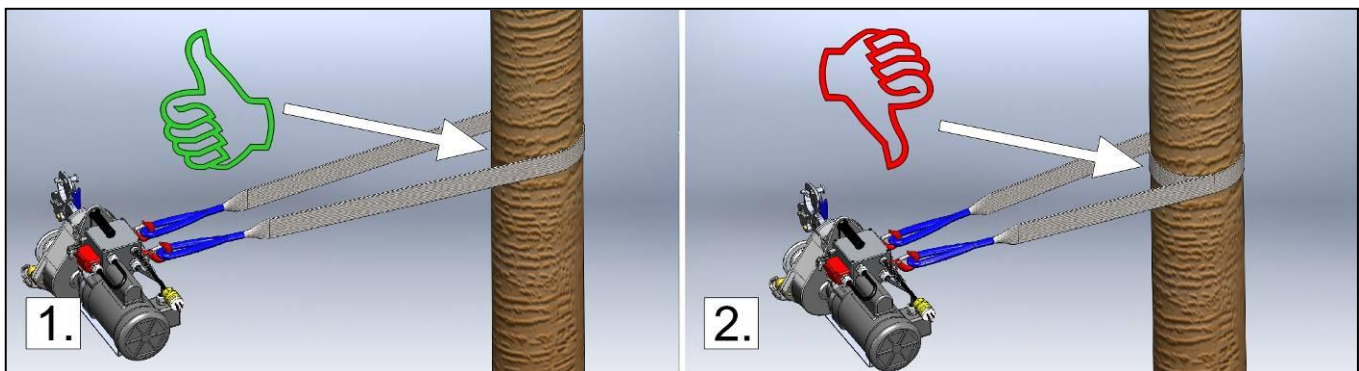
The winch is anchored to a fixed point using the included polyester sling or with optional anchoring devices and the rope end is tied to the object you want to move. The load is moving towards the winch when you pull the rope.

#### **3.3.1 Using the polyester sling (included with the winch)**

Go around the anchor point with the sling. Insert each end of the sling in one of the safety hooks located on the winch (figure 1 below).

Position the winch in line with the load. When the winch is under tension, it will try to align itself with the load. The friction of the sling against the anchor point could prevent correct alignment. If that is the case, release the tension on the rope and position the sling on the anchor point so that the tension is equally distributed on both winch anchor hooks.

**⚠ CAUTION** **DON'T DO THIS!** WHEN YOU ANCHOR THE WINCH, MAKE SURE THAT YOU **DO NOT** DO A COMPLETE WRAP AROUND THE ANCHOR POINT (FIGURE 2 BELOW). THIS SET-UP WILL PREVENT PROPER ALIGNMENT OF THE WINCH WITH THE LOAD AND WILL PUT UNEVEN TENSION ON THE WINCH ANCHOR HOOKS.



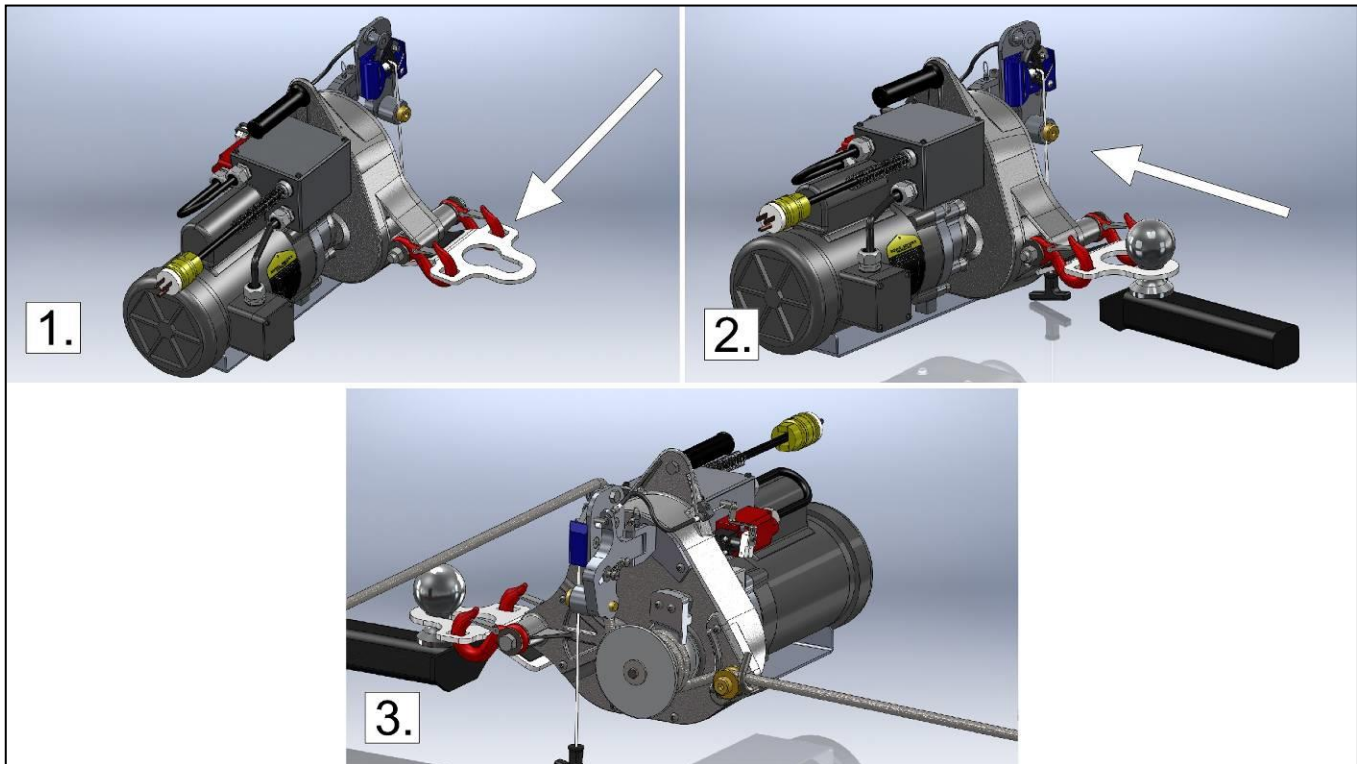
**⚠ CAUTION** AVOID INSTALLING THE SLING ON SHARP EDGES THAT MIGHT DAMAGE IT. WHETHER YOU ARE USING A POST, A TREE OR A STUMP, ALWAYS INSTALL THE SLING NEAR THE ANCHOR'S BASE.

**⚠ CAUTION** USING A STUMP AS AN ANCHOR POINT MEANS PAYING SPECIAL ATTENTION IN ORDER TO PREVENT THE SLING FROM SLIPPING OVER IT.

**⚠ WARNING** MAKE SURE THE ANCHOR POINT IS STRONG ENOUGH TO RESIST THE PULL WITHOUT BREAKING OR BEING DAMAGED.

### 3.3.2 Using the hitch plate winch anchor (PCA-1261) for tow balls up to 50 mm (2") diameter

- 1) Figure 1: Push the safety hooks in the rectangular openings of the hitch plate. The rubber plate must be under the winch;
- 2) Figure 2: Slide the plate on the ball hitch and pull the winch forward;
- 3) Figure 3: Wrap the rope around the drum and start winching. The winch will align itself automatically with the load.



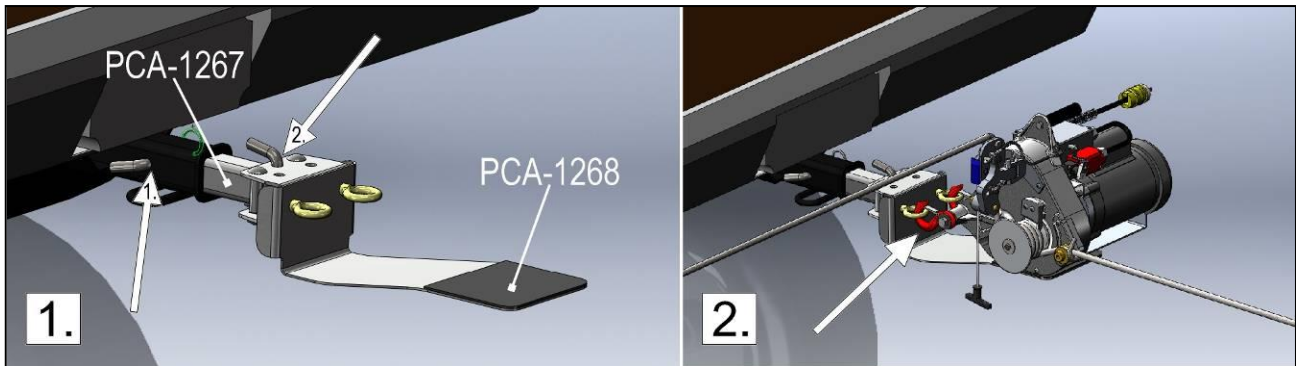
**⚠ CAUTION** USE THE HITCH PLATE ONLY WITH CATEGORY II BALL HITCH (1500 KG (3300 LB)) OR HIGHER. MAKE SURE THE ANCHORING VEHICLE'S HAND BRAKE IS ON AND WORKING PROPERLY. POSITION BLOCKS BEHIND THE WHEELS TO PREVENT ROLL BACK.

### 3.3.3 Using the winch support plate (PCA-1268) with square tubing 50 mm (2") (PCA-1267)

- 1) Figure 1, no. 1: Slide the square tubing (PCA-1267) into the vehicle's receiver and secure it with both the hitch pin and the "R" pin;
- 2) Figure 1, no. 2: Slide the winch support plate (PCA-1268) onto the square tubing and secure it with both the hitch pin and the "R" pin;  
**Note:** Its lateral movement can be adjusted by positioning the bolts into the square holes;
- 3) Figure 2: Attach the winch anchor hooks to the eye bolts;



- 4) Figure 2: Wrap the rope around the drum and start winching. The winch will align itself automatically with the load.

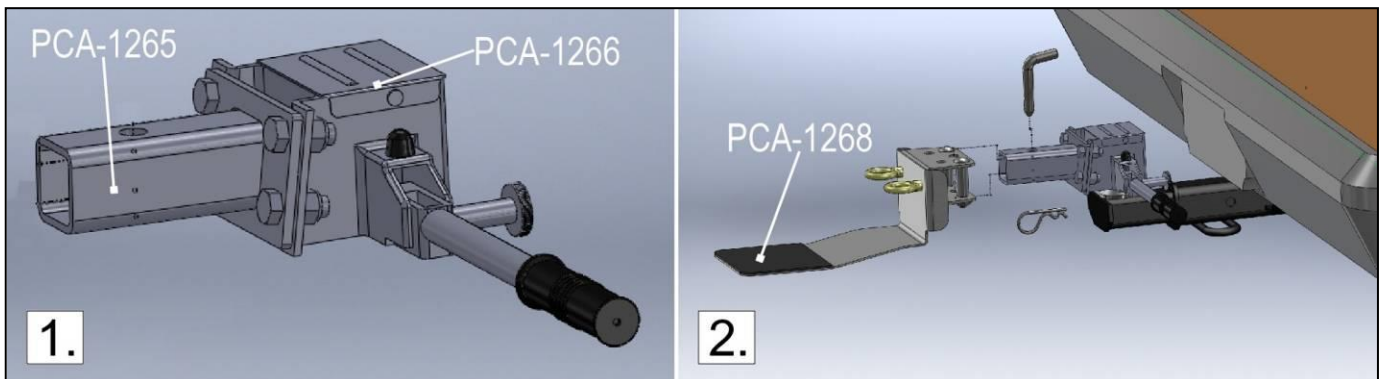


**CAUTION** IF YOU NEED TO PULL DOWNWARD, YOU WILL NEED TO INSTALL EITHER A PULLEY OR A ROLLER TO PREVENT DAMAGE TO THE WINCH SUPPORT PLATE.

**CAUTION** MAKE SURE THE ANCHORING VEHICLE'S HAND BRAKE IS ON AND WORKING PROPERLY. POSITION BLOCKS BEHIND THE WHEELS TO PREVENT ROLL BACK.

### 3.3.4 Using the winch support plate (PCA-1268) with Heck-Pack system for 50 mm European balls (PCA-1266) and winch support plate adaptor (PCA-1265)

- 1) Figure 1: Bolt the winch support plate adaptor (PCA-1265) onto the Heck-Pack system (PCA-1266) with the 4 bolts provided;
- 2) Figure 2: Insert the Heck-Pack on the ball and fasten it down with the lever;
- 3) Figure 2: Slide the winch support plate (PCA-1268) onto the square tubing of the winch support plate adaptor (PCA-1265) and secure it with both the hitch pin and the "R" pin;  
**Note:** Its lateral movement can be adjusted by positioning the bolts into the square holes;
- 4) Attach the winch anchor hooks to the eye bolts (as shown in section 3.3.3);
- 5) Wrap the rope around the drum and start winching. The winch will align itself automatically with the load.



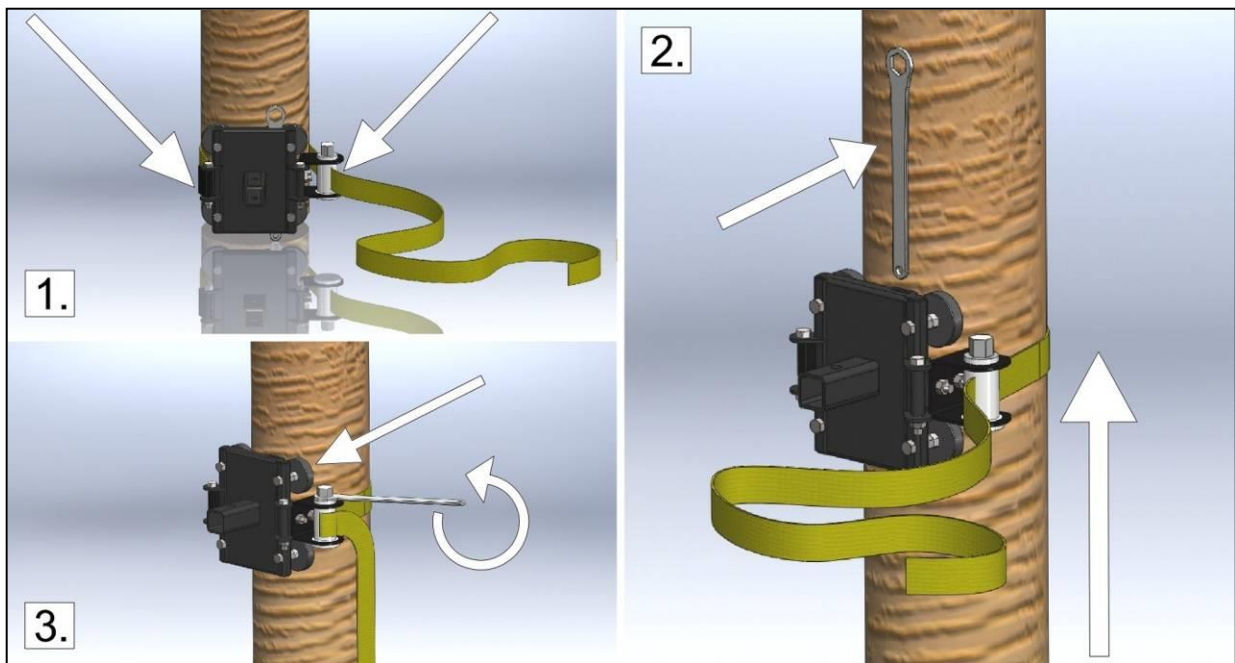
**⚠ CAUTION** IF YOU NEED TO PULL DOWNWARD, YOU WILL NEED TO INSTALL EITHER A PULLEY OR A ROLLER TO PREVENT DAMAGE TO THE WINCH SUPPORT PLATE.

**⚠ CAUTION** MAKE SURE THE ANCHORING VEHICLE'S HAND BRAKE IS ON AND WORKING PROPERLY. POSITION BLOCKS BEHIND THE WHEELS TO PREVENT ROLL BACK.

### **3.3.5 Using the tree/pole mount with anchor strap (PCA-1263)**

The tree/pole mount is intended to use with either the winch support plate (PCA-1268) or the vertical pull winch support (PCA-1264). Therefore, you must first install the tree/pole mount. To do this, follow these steps:

- 1) Figure 1: Place the tree/pole mount at the base of the tree or pole. Insert the sling's hook into the anchor point on the left; then feed the sling's end through the ratchet system;
- 2) Figure 2: Slide the whole set-up upward to the desired height and remove the supplied wrench;
- 3) Figure 3: Tighten the sling with the wrench while making sure the rubber pads are properly positioned. The pads should offer maximum contact surface with the tree or pole.

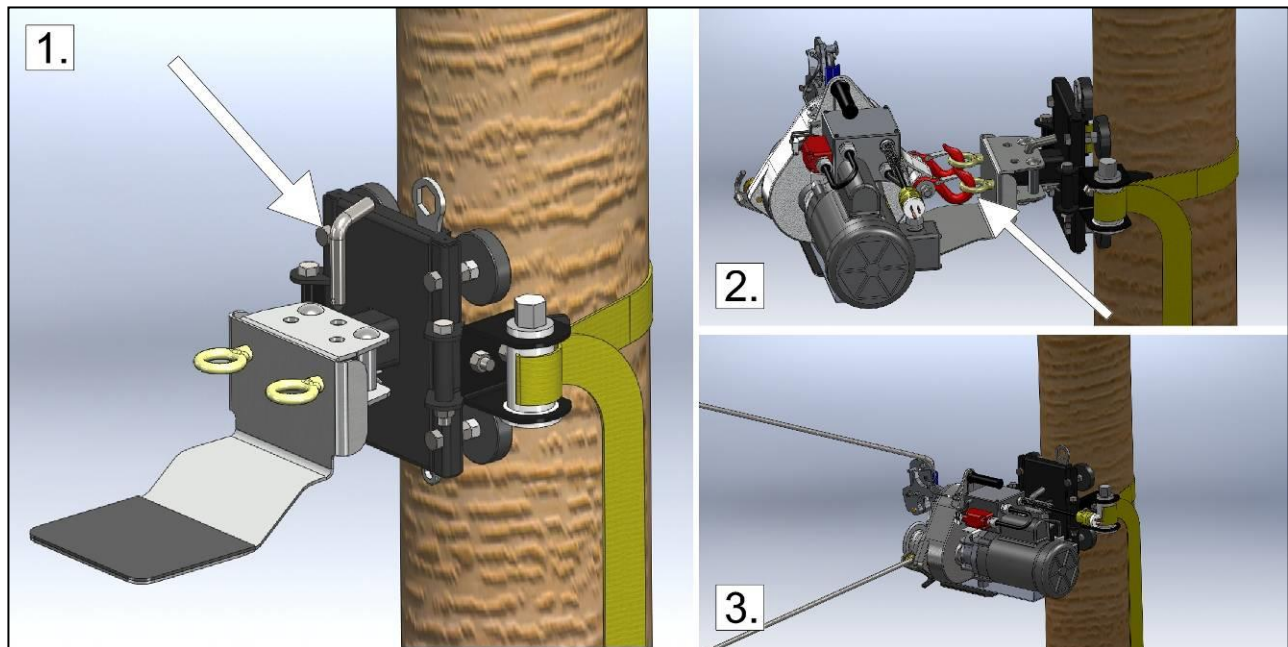


#### **3.3.5.1 With the winch support plate (PCA-1268)**

After the installation of the tree/pole mount (section 3.3.5), follow these steps:

- 1) Figure 1: Insert the winch support plate onto the square tubing of the tree/pole mount (PCA-1263) and fasten it down with the hitch pin and "R" pin;  
**Note:** Its lateral movement can be adjusted by positioning the bolts into the square holes;
- 2) Figure 2: Attach the winch anchor hooks to the eye bolts of the winch support plate;

3) Figure 3: Wrap the rope around the drum and start winching. The winch will align itself automatically with the load.



**⚠ CAUTION** IF YOU NEED TO PULL DOWNWARD, YOU WILL NEED TO INSTALL EITHER A PULLEY OR A ROLLER TO PREVENT DAMAGE TO THE WINCH SUPPORT PLATE.

**⚠ WARNING** AFTER PULLING FOR A FEW SECONDS WITH THE TREE/POLE MOUNT, RELEASE THE TENSION OFF THE *PCT1800 AC ELECTRIC PORTABLE CAPSTAN PULLING/LIFTING WINCH™*. CHECK THE SOLIDITY OF THE INSTALLATION AND TIGHTEN THE SLING AGAIN.

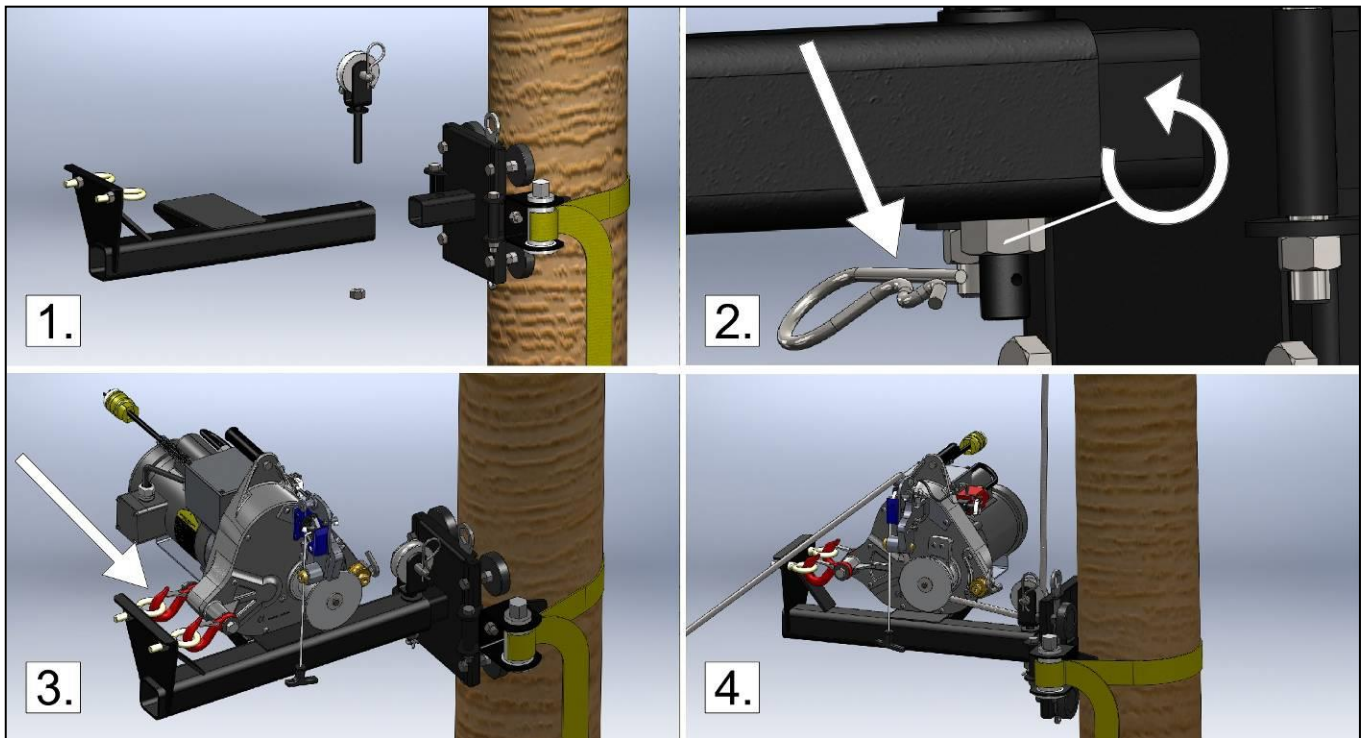
### **3.3.5.2 With the vertical pull winch support (PCA-1264)**

After the installation of the tree/pole mount (section 3.3.5), follow these steps:

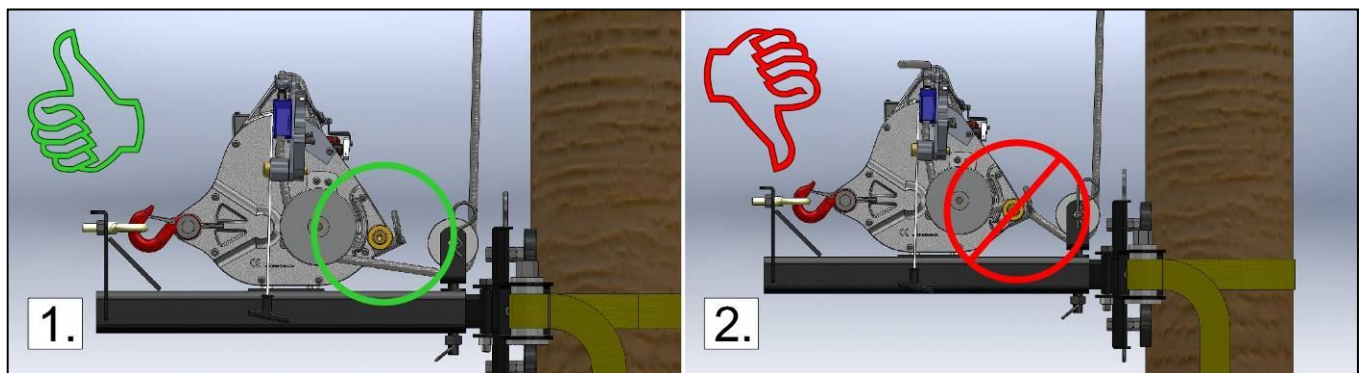
- 1) Figure 1: Insert the vertical pull winch support onto the square tubing of the tree/pole mount (PCA-1263), align the holes and insert the pulley;
- 2) Figure 2: Tighten the nut with your fingers until it touches the support. Then reinforce it with the "R" pin;
- 3) Figure 3: Attach the winch anchor hooks to the eye bolts of the vertical pull winch support;



4) Figure 4: Wrap the rope around the drum and align the vertical support pulley with the rope axe and start to pull;



**⚠ WARNING** **IMPORTANT:** DON'T GO OVER THE ROPE ENTRY PULLEY OF THE WINCH WITH THE ROPE (FIGURE 2) AS IT WILL CREATE FRICTION AND WILL REDUCE LIFTING CAPACITY. **GO UNDER THE ROPE ENTRY PULLEY** (FIGURE 1). IN THIS CASE, THE ROPE ENTRY PULLEY OF THE WINCH WILL NOT BE USED.



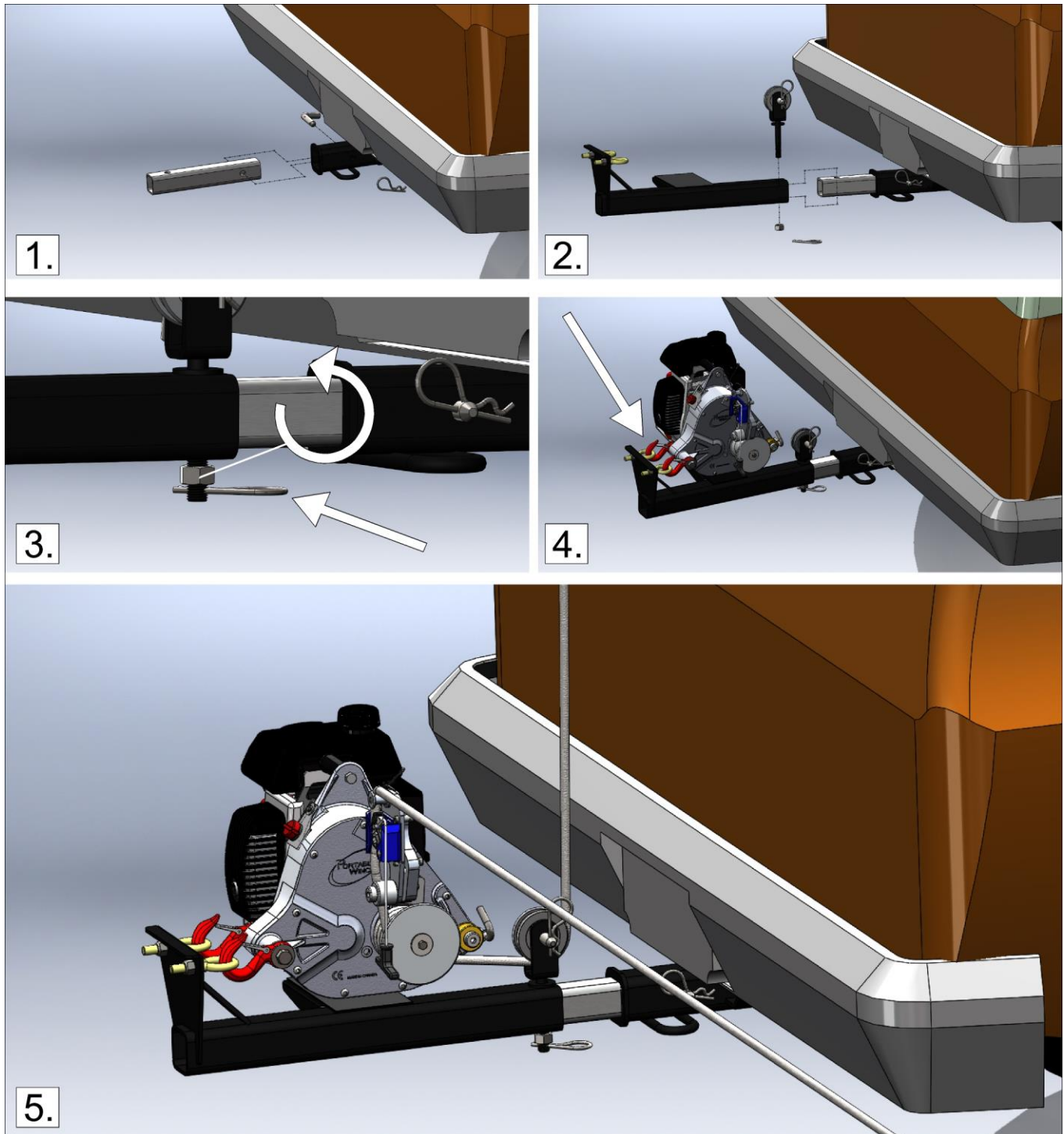
**⚠ WARNING** **IMPORTANT:** AFTER PULLING FOR A FEW SECONDS, RELEASE THE TENSION OFF THE *PCT1800 AC ELECTRIC PORTABLE CAPSTAN PULLING/LIFTING WINCH™*. CHECK THE SOLIDITY OF THE INSTALLATION AND TIGHTEN THE SLING OF THE TREE/POLE MOUNT AGAIN.

### 3.3.6 Using the vertical pull winch support (PCA-1264) with square tubing 50 mm (2") (PCA-1267)

**⚠ WARNING** ONLY USE VEHICLES EQUIPPED WITH CLASS III TOWING HITCHES.

**⚠ WARNING** NEVER ATTEMPT TO LIFT MORE THAN THE RATED LIFTING CAPACITY OF 250 KG (550 LB).

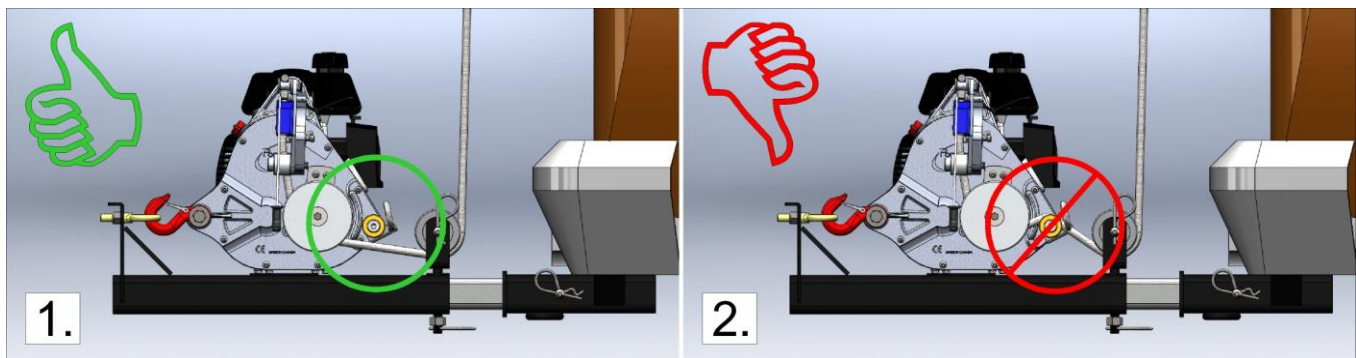
**⚠ CAUTION** PERFORM A TEST PULL WITH A LIGHT LOAD IN ORDER TO ASSES VEHICLE STABILITY AND EQUIPMENT INSTALLATION.



- 1) Figure 1: Slide the square tubing (PCA-1267) into the vehicle's receiver and secure it with both the hitch pin and the "R" pin;
- 2) Figure 2: Insert the vertical pull winch support onto the square tubing, align the holes and insert the pulley;
- 3) Figure 3: Tighten the nut with your fingers until it touches the support. Then reinforce it with the "R" pin;
- 4) Figure 4: Attach the winch anchor hooks to the eye bolts of the vertical pull winch support;
- 5) Figure 5: Install rope from above in the redirection pulley by threading the rope end or by removing the bent hitch pin. Wrap the rope around the drum according to the load requirement as detailed in section 3.4.2 and align the vertical support pulley with the rope axe.

**CAUTION** MAKE SURE THE BENT HITCH PIN IS SECURED WITH THE R-PIN PRIOR TO PULLING.

**WARNING** **IMPORTANT:** DON'T GO OVER THE ROPE ENTRY PULLEY OF THE WINCH WITH THE ROPE (FIGURE 2 BELOW) AS IT WILL CREATE FRICTION AND WILL REDUCE LIFTING CAPACITY. **GO UNDER THE ROPE ENTRY PULLEY** (FIGURE 1 BELOW). IN THIS CASE, THE ROPE ENTRY PULLEY OF THE WINCH WILL NOT BE USED.



**WARNING** **IMPORTANT:** AFTER PULLING FOR A FEW SECONDS, RELEASE THE TENSION OFF THE *PCT1800 AC ELECTRIC PORTABLE CAPSTAN PULLING/LIFTING WINCH™* AND CHECK THE SOLIDITY OF THE INSTALLATION.

### **3.4 Moving a load**

**WARNING** USING COMMON SENSE WHILE MOVING A LOAD IS THE KEY TO A SECURE WINCH USAGE.

The great variety of situations encountered when winching prevents us from providing specific instructions; however you need to consider the following points:

**WARNING** CHECK WINCH POSITION, ROPE CONDITION, SOLIDITY OF THE ANCHOR POINT, KNOTS, CARABINERS OR SHACKLES IN ORDER TO PREVENT INJURIES OR MATERIAL DAMAGE.



**⚠ WARNING** INSTALL THE ROPE IN SUCH A WAY THAT IT DOES NOT RUB AGAINST OTHER OBJECTS OR THROUGH AN OBSTRUCTION.

**⚠** GENERALLY, IF THE ROPE TOUCHES AN OBJECT, YOUR INSTALLATION IS INCORRECT.

**⚠ WARNING** NEVER PUT YOUR HANDS ON THE CAPSTAN DRUM, THE ROPE GRABBING SYSTEM, THE ROPE GUIDE OR THE ROPE ENTRY PULLEY WHEN THE ENGINE IS RUNNING.

**⚠ WARNING** LOOK AT YOUR SET-UP TO MAKE SURE THAT THE WINCH ANCHORS AND THE ROPE ENTRY PULLEY ARE ALIGNED WITH THE ROPE.

**⚠ WARNING** WHILE WINCHING, POSITION YOURSELF AWAY FROM THE WINCH IN ORDER TO SEE BOTH THE WINCH AND THE LOAD. PULL **HORIZONTALLY** ON THE ROPE. THE TENSION YOU EXERT ON THE ROPE WILL KEEP THE WINCH LEVELED.

**⚠ DANGER** DO NOT WRAP THE ROPE AROUND YOUR HANDS OR YOUR BODY! ALSO BEWARE OF THE ROPE ACCUMULATING NEXT TO YOU; MAKE SURE YOUR FEET DO NOT GET TANGLED IN IT.

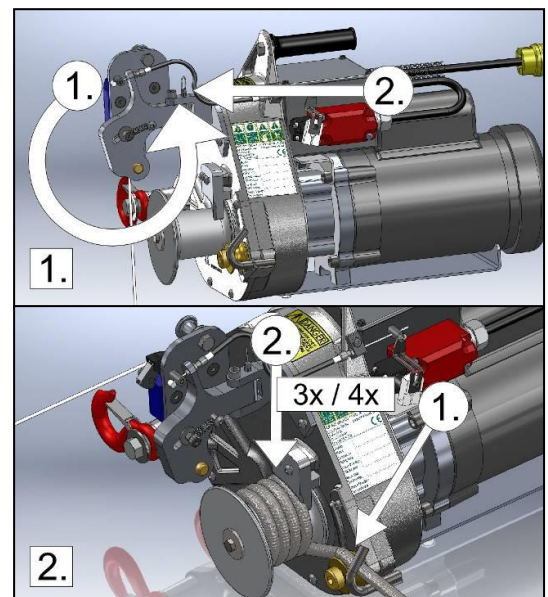
**⚠ WARNING** CAREFULLY WATCH THE CAPSTAN DRUM DURING THE OPERATION AND MAKE SURE THE ROPE DOES NOT CROSS OVER ON IT. IF IT HAPPENS, RELEASE THE TENSION ON THE ROPE AND STOP THE ENGINE WHILE UNDOING THE CROSS OVER.

**⚠ WARNING** DO NOT PULL A LOAD DIRECTLY TOWARD THE WINCH IN A DOWNWARD SLOPE SINCE IT COULD SLIDE WITHOUT YOU BEING ABLE TO STOP IT. IN THAT SITUATION, USE A PULLEY AT THE BOTTOM OF THE HILL AND POSITION THE WINCH OUTSIDE OF THE LOAD'S PATH.

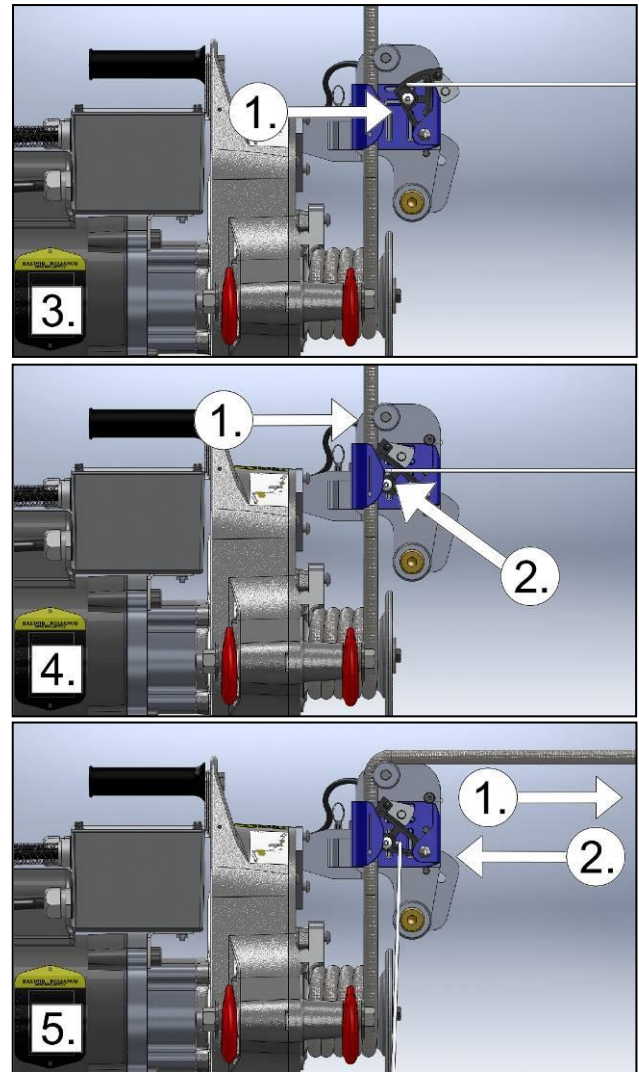
### 3.4.1 Installing the rope on the AC Electric Portable Capstan Pulling/Lifting Winch™

**⚠ WARNING** NEVER PUT YOUR HANDS ON THE CAPSTAN DRUM OR THE ROPE ENTRY PULLEY WHEN THE WINCH IS RUNNING.

- 1) Figure 1: Open the rope grabbing system (no. 1) and lock in place with spring pin (no.2);
- 2) Figure 2: Run the rope **OVER** the rope keeper and the rope entry pulley (no. 1) and **UNDER** the drum (except when using the vertical pull winch support (see section 3.3.5.2). Then, wrap the rope around the drum 3 or 4 turns (no. 2);
- 3) Figure 3: Insert the rope into rope grabbing system device by pulling the spring-loaded cam lever upwards (no. 1). This will give enough room to insert the rope.



- 4) Figure 4: Make sure the rope goes over the stainless steel knob (no. 1). Then, push the spring-loaded cam back against the rope which will automatically hold a load if the rope end is let go (no. 2).
- 5) Figure 5: As you pull the rope (no. 1), the motor will engage and load will move. **IMPORTANT:** It is necessary to pull the rope **HORIZONTALLY** to get the load started. To stop load movement, stop pulling on rope (no. 2).
- 6) Stand about 1 m (3') from the winch and pull gently and horizontally on the rope to get the slack until you feel the tension rising on the rope;
- 7) Look at your set-up to make sure that the winch anchor and the rope entry pulley are aligned with the rope;
- 8) Check that the rope does not rub against objects along the path;
- 9) Pull on the rope, the power will go up and the winching will start.



### **3.4.2 Lifting**

#### **3.4.2.1 Load lifting chart**

**⚠ WARNING** BEFORE ATTEMPTING TO LIFT A LOAD, IT IS IMPERATIVE TO EVALUATE ITS APPROXIMATE WEIGHT.

When lifting a load, you may figure the minimal number of wraps required on the capstan drum in order to move the load.

This chart is designed to help figure out the number of wraps you need to lift a load and also allow its lowering. The friction on the capstan drum is relative to the size of the drum installed, the number of wraps and the load weight, therefore too many wraps may prevent a load to lower.

**⚠ WARNING** **IMPORTANT NOTE:** IF THE MOTOR STALLS WHILE LIFTING A LOAD, YOU HAVE EXCEEDED THE RATED LIFTING CAPACITY. THEREFORE, YOU MUST LOWER THE LOAD TO RELEASE THE TENSION ON THE ROPE AND INSTALL A BLOCK AND TACKLE DEVICE TO INCREASE THE LIFTING CAPACITY BEFORE RESTARTING TO PULL. **DO NOT START UNDER TENSION OR YOU MAY DAMAGE THE MOTOR.**

Number of turns on the drum	Weight			
	Kilograms		Pounds	
	From	To	From	To
1	<b>⚠ WARNING</b> Never make only one turn <b>⚠ WARNING</b>			
2	1 kg	80 kg	2 lb	176 lb
3	81 kg	170 kg	177 lb	374 lb
4	171 kg	250 kg	375 lb	550 lb

### 3.4.2.2 Lifting operation

**⚠ CAUTION** ALWAYS WEAR GLOVES.

To lift a load, you will need to decide which anchoring accessories you will use. Refer to section 3.3 to decide.

**⚠ WARNING** KEEP IN MIND THAT YOUR SET-UP IS ONLY AS RESISTANT AS THE WEAKEST LINK. THIS IS WHY IT IS VERY IMPORTANT TO USE THE ADEQUATE ACCESSORIES IN ACCORDANCE WITH THE JOB TO BE DONE. IN THIS CASE (LIFTING), IT IS RECOMMENDED TO HAVE A **10 TO 1 SAFETY FACTOR** FOR ALL ACCESSORIES.

Refer to the chart in section 3.4.2.1 for the correct number of wraps of rope to use.

### 3.4.2.3 Lowering a load

**⚠ CAUTION** ALWAYS WEAR GLOVES.

**⚠ WARNING** YOUR *PCT1800 AC ELECTRIC PORTABLE CAPSTAN PULLING/LIFTING WINCH™* IS EQUIPPED WITH A ROPE GRABBING SYSTEM. **THIS SYSTEM IS NOT DESIGNED TO STOP FAST MOVING LOADS.** DAMAGE CAN OCCUR TO THE ROPE AND/OR THE ROPE GRABBING SYSTEM WHEN SHOCK LOADED, AND POSSIBLY LEAD TO CATASTROPHIC FAILURE.

**⚠ DANGER** DO NOT WRAP THE ROPE AROUND YOUR HANDS OR YOUR BODY! ALSO BEWARE OF THE ROPE ACCUMULATING NEXT TO YOU; MAKE SURE YOUR FEET DO NOT GET TANGLED IN IT.

**⚠ DANGER** THE *PCT1800 AC ELECTRIC PORTABLE CAPSTAN PULLING/LIFTING WINCH™* IS NOT DESIGNED FOR LOWERING HEAVY LOADS OVER LONG DISTANCES. FRICTION OF THE ROPE ON THE CAPSTAN DRUM WILL GENERATE HEAT THAT COULD DETERIORATE OR EVEN MELT THE ROPE. YOU MAY WANT TO RUN SOME TESTS IN ORDER TO EXPERIMENT. YOU CAN ALSO USE PULLEY BLOCKS ON THE LOAD TO REDUCE FRICTION ON THE DRUM.



**⚠ CAUTION** AFTER EACH LOWERING OPERATION, IT IS IMPERATIVE TO CHECK ROPE CONDITION.

**⚠ WARNING** NEVER GO OVER THE RATED LIFTING CAPACITY (250 KG (550 LB)) SINGLE LINE.

**⚠ WARNING** NEVER BYPASS THE ROPE GRABBING SYSTEM.

**⚠ WARNING** NEVER SHOCKLOAD THE SYSTEM.

**⚠ WARNING** BEWARE OF ROPE SNARLS WHILE LOWERING. IF ROPE GETS TANGLED, PULL ON ROPE, WHICH WILL START THE MOTOR, UNTIL CLEARED.

**⚠ CAUTION** DO NOT TOUCH THE CAPSTAN DRUM IMMEDIATELY AFTER OPERATION AS IT WILL GET HOT AND BURN BARE SKIN.

When you stop lifting with the *PCT1800 AC Electric Portable Capstan Pulling/Lifting Winch™*, the rope grabbing system engages, therefore, holds a load in position and keeps the rope under tension. To release it, follow these steps:

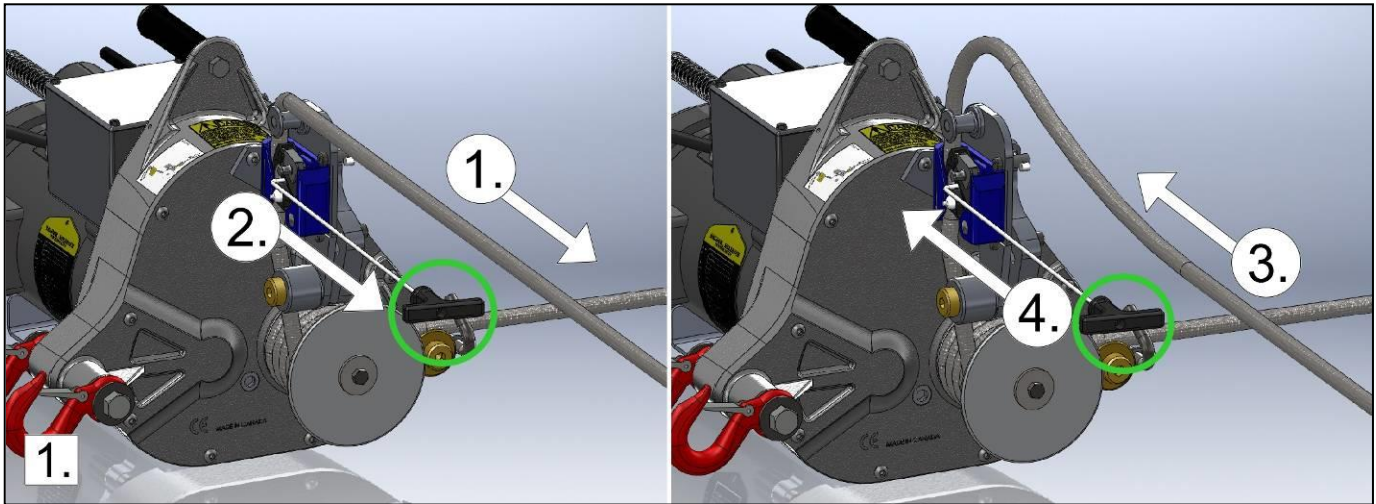
1. Figure 1, no. 1: Pull horizontally (and gently) on the pulling rope to engage the motor, this will release the tension applied by the rope grabbing system on the pulling rope;
2. Figure 1, no. 2: Pull gently on the rubber handle of the rope attached to the rope grabbing system; this will disengage the system;

**⚠ WARNING** DO NOT COMPLETELY DISENGAGE THE ROPE GRABBING SYSTEM, IN CASE OF EMERGENCY, SIMPLY LET THE RUBBER HANDLE GO, THE SYSTEM WILL RE-ENGAGE.

**⚠ WARNING** NEVER LET THE PULLING ROPE SLIDE SUDDENLY IF A LOAD IS SUSPENDED.

3. Figure 1, no. 3: Slowly payout the pulling rope (push it towards the winch if necessary - this may occur if you have four wraps of rope on the drum and a light load) while keeping the rope grabbing system slightly open;
4. Figure 1, no. 4: Release the tension applied to the rubber handle, this will re-engage the rope grabbing system. You can now let go the pulling rope and grab it further;
5. Repeat steps 1 to 4 until the load is at desired position or completely lowered;

6. Once at desired position, let the rubber handle go, this will re-engage the system (if needed);



### **3.4.2.4 Sending the rope back down**

After lifting objects, you may want to send the rope back down. Since there is no reverse on the winch and friction is in cause, simply disengage the rope grabbing system, remove the rope from the capstan drum to eliminate friction and let the rope back down. If the rope does not come down, you may have to attach a small rope to it (prior to lifting) in order to pull it back down.

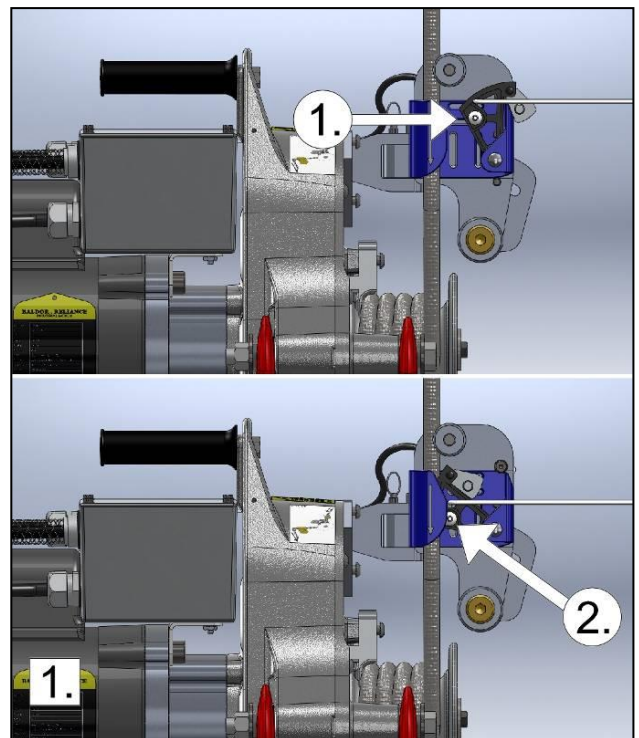
### **3.4.3 Pulling**

To pull a load, follow the steps found in section 3.4.1. However, when pulling a load on the ground that does not risk falling or rolling back, you may want to disengage the rope grabbing system. If you do not and the load get stuck, you may have trouble getting some slack since the rope will already be stretched to its maximum and the rope grabbing system will be very hard to disengage.

**⚠ WARNING** IF THERE IS ANY RISK THE LOAD MAY FALL OR ROLL BACK, DO NOT COMPLETELY DISENGAGE THE ROPE GRABBING SYSTEM.

Using the winch without the rope grabbing system allows you to release the tension and benefit from the elasticity of the rope to restart pulling and let the motor reach its maximum power.

To disengage the rope grabbing system, open the spring-loaded cam upwards and let it rest on the frame of the rope grabbing system (figure 1, no. 1). To re-engage it, lift it upward again and bring it back towards the pulling rope (figure 1, no. 2).



### **3.4.3.1 Releasing the tension**

**⚠ CAUTION** ALWAYS WEAR **GLOVES**.

**⚠ WARNING** STRETCH EQUALS DANGER!

**⚠ DANGER** DO NOT WRAP THE ROPE AROUND YOUR HANDS OR YOUR BODY! ALSO BEWARE OF THE ROPE ACCUMULATING NEXT TO YOU; MAKE SURE YOUR FEET DO NOT GET TANGLED IN IT.

#### **3.4.3.1.1 When pulling with the rope grabbing system engaged**

If the rope grabbing system is used, when you stop pulling with the *PCT1800 AC Electric Portable Capstan Pulling/Lifting Winch™*, the rope grabbing system engages, therefore, applies pressure on the rope and keeps it under tension. To release it, follow steps 1 to 6 of section 3.4.2.3).

#### **3.4.3.1.2 When pulling with the rope grabbing system disengaged**

If the rope grabbing system is not used, when you stop pulling with the *PCT1800 AC Electric Portable Capstan Pulling/Lifting Winch™*, you simply have to release tension gradually to lower the winch gently to the ground.

### **3.5 If the *PCT1800 AC Electric Portable Capstan Pulling/Lifting Winch™* doesn't work**

**⚠ DANGER** PRIOR TO INSPECTING OR REPAIRING THE WINCH, BE SURE TO DISCONNECT FROM POWER SOURCE.

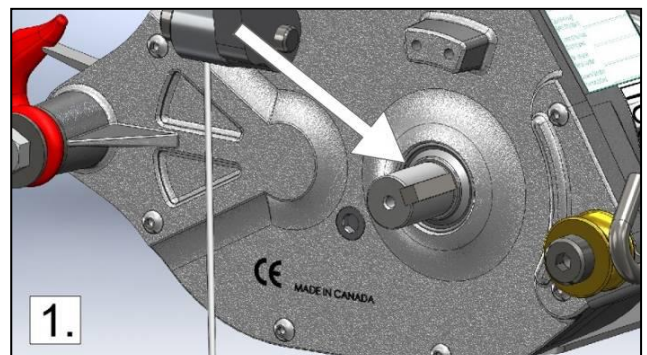
If the winch does not work, check the power source. Make sure the voltage and/or the frequency used is correct. Disconnect the wire from the electrical outlet and remove the lid of the control box. Make sure there are no unconnected wires, poorly connected relays or loosened screws. If the unit still does not work, contact a qualified electrician or your dealer.

## **4.0 Maintenance**

When the unit is outside, make sure to thoroughly cover the engine and controls against the weather or ground water. When the winch is running, make sure it is free of obstructions. Periodic inspections must be made for damage or cuts to the various components which may require replacement.

### **4.1 Cleaning**

Once your job is done, you should clean and dry your winch.



**⚠ CAUTION** INSPECT THE WINCH, HOOKS, ROPE GRABBING SYSTEM, ROPE AND POLYESTER SLING TO DETECT ANY DAMAGE OR SIGNS OF WEAR BEFORE AND AFTER EACH USE.

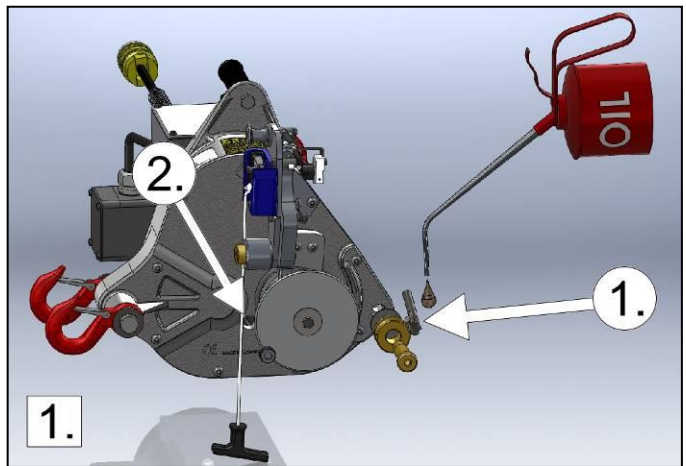
Periodically, remove the capstan drum (section 2.2) and clean around the shaft (figure 1). Accumulated debris can damage the shaft seal. Apply a bit of oil on the shaft to prevent corrosion.

#### **4.2 Lubrication**

The rope entry pulley (figure 1, no 1) must turn freely. Lubricate it regularly with light oil. Dirt and grime lodged between the pulley and the shaft may prevent it from turning freely. If required, disassemble it to clean the shaft. Use an 8 mm hex key.

The gearbox is lubricated at the factory and SHOULD NOT require additional lubrication or maintenance. If there is appearance of a leak, check oil level by placing the winch on a level surface and remove the oil plug (figure 1, no.2).

Lean it toward you; some oil should leak out of the hole. If needed, you can add type SAE80W90EP gear box oil.



#### **4.3 AC Electric motor**

Follow the instructions found in the fact sheet of the Baldor electric motor to maintain it properly.

#### **4.4 Storage**

Always store your *PCT1800 AC Electric Portable Capstan Pulling/Lifting Winch™* seated on its guard plate and in a dry environment.

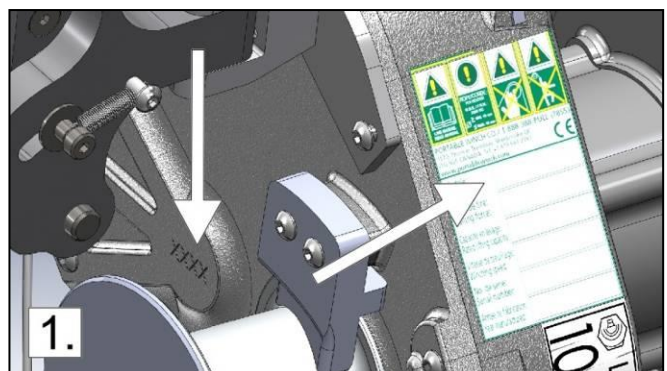
### **5.0 Complementary information**

#### **5.1 Accessories**

A complete line of accessories is available. Simply visit [www.portablewinch.com](http://www.portablewinch.com).

#### **5.2 Serial number localization**

The winch serial number is indicated on the *serial number and warning label* located on the right side of the winch housing and is also engraved on the cover of the winch, to the left of the capstan drum.



### **5.3 Warranty**

Portable Winch Co. products are warranted against defects in materials and workmanship while owned by the "*original purchaser*". The "*original purchaser*" is defined as the party or entity which purchases the winch and/or accessories from an authorized Portable Winch Co. retailer as shown by the original invoice.

The warranty ownership is transferable, provided the end-user has a copy of the original purchaser's invoice. This warranty does not apply to "*wear parts*" defined as being in contact with the rope while winching.

The *PCT1800 AC Electric Portable Capstan Pulling/Lifting Winch™* is covered as follow:

- Winch components:
  - Private use: Two (2) year warranty (service by Portable Winch Co. and/or its retailers);
  - Commercial use: One (1) year warranty (service by Portable Winch Co. and/or its retailers);
- Motor: The Baldor motor is warranted by Baldor and the duration varies according to country and usage. All Baldor service centers can repair the winch motor under warranty. Hang on to your proof of purchase (invoice with serial number). It will be used to establish the beginning of the warranty period.

Portable Winch Co. will replace or repair, at its option, any defective product. All other *Portable Winch™* accessories are covered by a complete one (1) year warranty. Please refer to the Portable Winch Co. warranty policies on [www.portablewinch.com](http://www.portablewinch.com) if you have any questions.

#### **Extend your warranty for free**

We would like to thank you for your purchase. By doing so we would like to offer you ONE (1) EXTRA YEAR WARRANTY for FREE! It's simple, simply register your winch on [www.portablewinch.com](http://www.portablewinch.com) or by phone at 1-888-388-PULL (7855) or +1 819 563-2193.

## 5.4 CE Declaration of conformity



# DECLARATION OF CONFORMITY

We  
of

**PORTABLE WINCH CO.**  
1170 Thomas-Tremblay St.  
Sherbrooke, QC J1G 5G5  
CANADA  
Tel: +1 819 563-2193  
www.portablewinch.com

Declare that the product

**AC Electric Portable Capstan Pulling/Lifting  
Winch**  
Models PCT1800-50Hz-P and PCT-60Hz-P  
Serial numbers 1001 and higher

For intended purpose

Pulling and lifting objects at angles up to vertical

In accordance with the following Directives of Machinery 2006/42/CE and the directive below:

2004/108/CE	Electromagnetic Compatibility Directive
2006/95/CE	Low tension Directive
2000/14/CE	Environmental Noise Directive

Mr Gerold Vonblon  
Landstrasse 28, A6714 Nuziders  
Is authorised to compile the technical files.

I hereby declare that the equipment above has been designed to comply with the relevant sections of the above referenced specifications. The unit complies with all essential requirements of the directives.

Signed by:

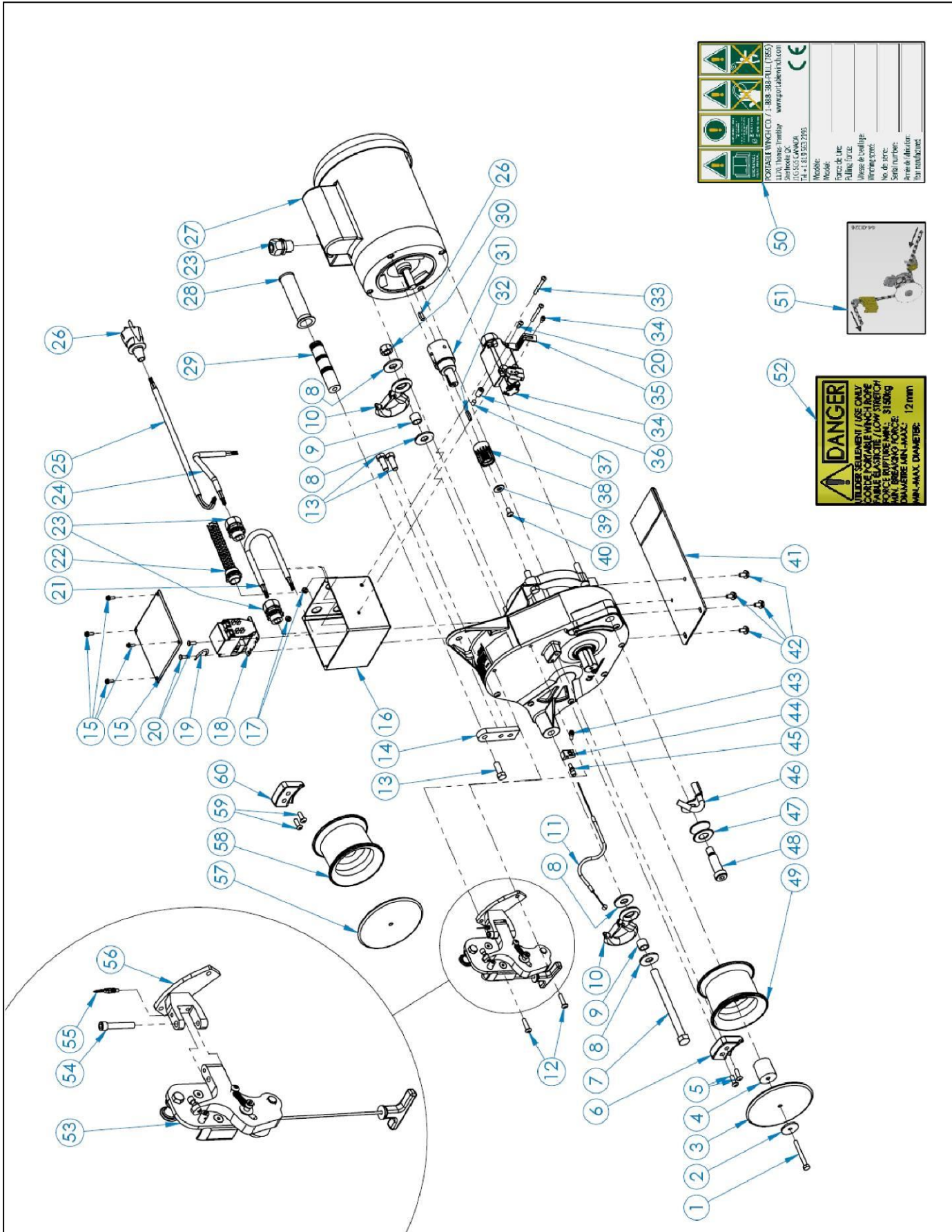
Name: Pierre Roy  
Position: Managing Director  
Done at Sherbrooke, QC, Canada

On May 11th, 2011.

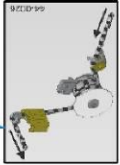




### 5.5 Exploded view and parts list



PORTABLE WINCH / 1-888-388-7111 (T85) 1201 W. 13th St. - Shelby, WI 53089-1001 U.S. CUSTOMER SERVICE TEL. +1 813 552 2195			
Modèle: _____ Force de tir: _____ Pulling force: _____ Masse de levage: _____ Lifting capacity: _____ No. de série: _____ Serial number: _____ Année de fabrication: _____ Year manufactured: _____			



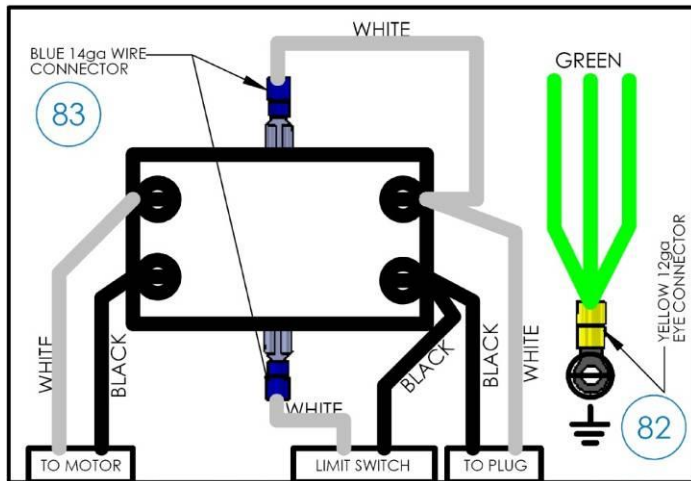
**⚠ DANGER!**  
 UTILISER SEULEMENT / USE ONLY  
 CABLES PORTABLE WINCH-ROPE  
 PORTABLE WINCH-ROPE ONLY  
 FORCE DE TRAVAIL MAX. 3150kg  
 MAX. BREAKING FORCE: 3150kg  
 DIAMÈTRE MIN. MAX.: 12 mm  
 MIN.-MAX. DIAMETER: \_\_\_\_\_

ITEM NO.	PART NUMBER	DESCRIPTION	QTY
1	31-0011	HCS 1/4-20 X 2-1/4 - GR5 - ZN	1
2	10-0102	DRUM RETAINING WASHER	1
3	10-0044	SAFETY LIP FOR CAPSTAN DRUM 85 MM	1
4	10-0043	SPACER FOR SAFETY LIP	1
5	31-0025	BHCS 1/4-20 X 3/4 - SS	2
6	10-0106	ROPE GUIDE FOR CAPSTAN DRUM 85 MM	1
7	31-0010	HCS 1/2-13 X 6 - GR5 - ZN	1
8	35-0004	FLAT WASHER 1/2 - ZN	4
9	10-0098	BUSHING FOR SAFETY HOOK	2
10	PCA-1281	SAFETY HOOK 3/4 TON	2
13	31-0019	HCS 3/8-24 X 1 GR5 - ZN	3
14	10-0073	ADPATOR FOR HANDLE PCT1800-50Hz-P	1
15		ELECTRIC BOX	
16	10-0080	ELECTRIC BOX - MACHINED	1
17	33-0004	K-LOK 10-24 - ZN	4
18	42-0020	2 POLES 240 VOLTS 50Hz CONTACTOR OR 60Hz	1
19	10-0116	ELECTRIC WIRE 14 AWG FOR CONTACTOR	1
20	31-0021	MACHINE SCREW 10-24 X 1/2 - ZN (PAN HEAD SQ. DR.)	3
21	42-0010	STRAIN RELIEF CONNECTOR 1/2 WITH NUT W/ TIGHTENING RING	1
23	42-0007	1/2in LIQUIDTIGHT STRAIN RELIEF CORD CONNECTOR	4
24	10-0114	ELECTRIC CORD 14/3 AWG FROM MOTOR	1
25	10-0115	ELECTRIC CORD 14/3 AWG FOR SWITCH	2
26	INCLUDED WITH 42-0022	KEY FOR ELECTRIC MOTOR SHAFT	1
26	42-0019	ELECTRIC PLUG CEE 7/7 250V 16AMP GROUNDED	1
27	42-0022	BALDOR ELECTRIC MOTOR 50Hz 220V 3/4HP	1
28	44-0019	VINYL GRIP	1
29	10-0094	WINCH HANDLE	1
30	33-0005	NYLON LOCKNUT 1/2-13 - Zn	1
31	10-0067	COUPLING SHAFT FOR ELECTRIC MOTOR	1
32	43-0005	KEY FOR INPUT PINION	1
33	31-0020	MACHINE SCREW 10-24 X 1-3/4 - ZN (PAN HEAD SQ. DR.)	2
34	10-0081	LIMIT SWITCH	1
38	10-0086	INPUT PINION	1
39	35-0006	FLAT WASHER 1/4 - ZN	2
40	31-0023	BUTTON HEAD CAP SCREW 1/4-28 x 1/2 Gr5 - Zn	1
41	10-0069	GUARD PLATE PCT1800-50Hz	1
41	10-0068	GUARD PLATE PCT1800-60Hz	
42	32-0002	HEX FLANGE SERRATED BOLT M6-1 X 12 MM - ZP	4
43	32-0003	SHCS M5-0.80 X 16 MM	5
44	10-0111	ON/OFF CABLE END HOLDER	1
45	10-0112	ON/OFF CABLE HOUSING FOR PCT1800-P	1
46	43-0013	KEY FOR CAPSTAN DRUMS 57 MM & 85 MM	1
46	10-0103	ROPE KEEPER	1
47	10-0101	ROPE ENTRY PULLEY	1
48	10-0119	SHOULDER BOLT 5/8 X 1-1/2 - ZN	2

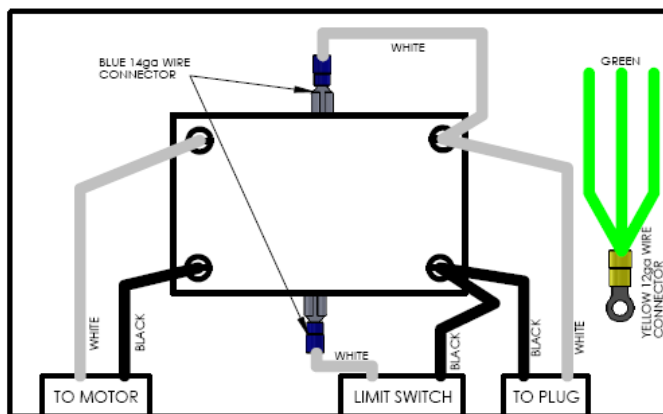
49	10-0001	CAPSTAN DRUM 85 MM	1
50	44-0001	UNIVERSAL SERIAL NUMBER & WARNING LABEL	1
52	44-0022	ROPE DANGER LABEL	1
53	70-0006	ROPE GRABBING SYSTEM	1
54	31-0033	SHCS 5/16-18 X 1-3/4 - SS	1
55	39-0014	PULL PIN 1/4-20	1
56	70-0007	ROPE GRABBING SYSTEM ATTACHMENT	
57	10-0042	SAFETY LIP FOR CAPSTAN DRUM 57 MM	1
58	10-0096	CAPSTAN DRUM 57 MM	1
60	10-0100	ROPE GUIDE FOR CAPSTAN DRUM 57 MM	1
	31-0015	HCS 3/8 X 1-1/4 - GR5 - ZN	2
	42-0023	WIRE CONNECTOR #8 TO #12	3
	10-0072	SUPPORT PLATE FOR ELECTRIC BOX PCT1800-50Hz	1
	10-0071	SUPPORT PLATE FOR ELECTRIC BOX PCT1800-60Hz	
	10-0077	EYE CONNECTOR 12 GA (YELLOW)	1
	10-0082	WIRE CONNECTOR 14 GA (BLUE)	2
	10-0113	ON/OFF CABLE FOR PCT1800-P	1

## 5.6 Electrical diagrams

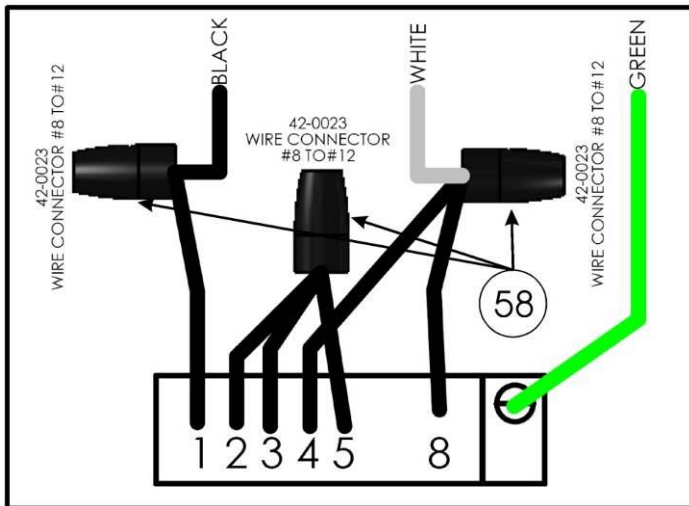
CONTACTOR WIRING DIAGRAM



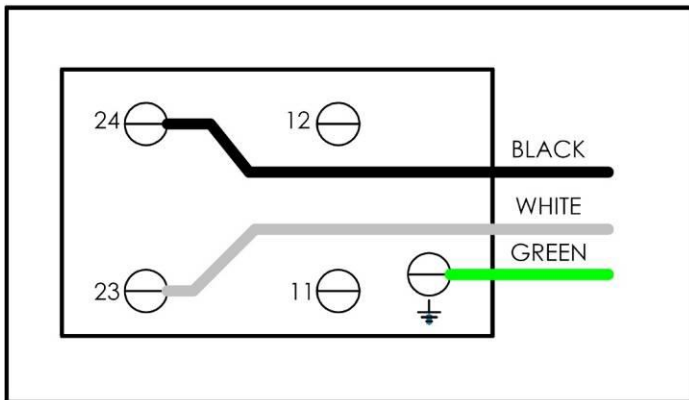
CONTACTOR WIRING DIAGRAM



## MOTOR WIRING DIAGRAM 220V-50HZ, 1 PHASE



## PULL SWITCH WIRING DIAGRAM



### 5.7 Technical data

- PCT1800-50Hz-P and PCT1800-60Hz-P:
  - Gear box: Aluminum alloy
  - Capstan drum: 85 mm (3-3/8")
  - Maximum pulling force (single line):
    - 85 mm drum: 820 kg (1800 lb)
    - 57 mm drum: 1000 kg (2200 lb)
  - Rated pulling force:
    - 85 mm drum: 455 kg (1000 lb)
    - 57 mm drum: 555 kg (1220 lb)
  - Rated lifting capacity:
    - 85 mm drum: 250 kg (550 lb)
    - 57 mm drum: 250 kg (550 lb)
  - Speed:
    - 85 mm drum: 10.5 m/min (35 ft/min)
    - 57 mm drum: 7 m/min (23 ft/min)
  - Duty cycle: 25% (15 min per hour is recommended)
  - I.P. Rating: 54

- Rope: Low stretch double braided polyester (not included) - Unlimited rope length
  - Minimum diameter: 12 mm (1/2")
  - Maximum diameter: 13 mm (1/2")
  - A rope with an eye splice is recommended.
- PCT1800-50Hz-P:
  - Motor: AC Electric Baldor TEFC 230 VAC - 1 ph - 3/4 HP
  - Unit weight (dry): 27 kg (60 lb)
  - Dimensions (overall): Length 55,6 cm (21-7/8") - Width 36,6 cm (14-3/8") - Height 36,6 cm (14-3/8")
- PCT1800-60Hz-P:
  - Motor: AC Electric Baldor TEFC 115/230 VAC - 1 ph - 3/4 HP
  - Unit weight (dry): 24 kg (53 lb)
  - Dimensions (overall): Length 55,6 cm (21-7/8") - Width 36,6 cm (14-3/8") - Height 36,6 cm (14-3/8")

## **5.8 Periodical tests**

Some local regulations require that equipment used for lifting be tested regularly. Check with local authorities and contact your authorized dealer for Portable Winch Co. for testing procedures.

## **5.9 Manufacturer**

The *PCT1800 AC Electric Portable Capstan Pulling/Lifting Winches™* are manufactured by:

**Portable Winch Co.**

1170, Thomas-Tremblay Street

Sherbrooke, Quebec, J1G 5G5

CANADA

Phone: +1 819 563-2193

Toll free (Canada & USA): 1-888-388-PULL (7855)

Fax: +1 514 227-5196

Email: [info@portablewinch.com](mailto:info@portablewinch.com)

Web site: [www.portablewinch.com](http://www.portablewinch.com)

## Schedule I. Examining the rope

As specified in section 3.2.2, the rope and its termination should be inspected daily to its full length to detect wear. This page allows you to collect information. It is indicative and may be reproduced and used for daily verification of your rope.

<b>Winching Rope</b>			
DIAMETER :		TERMINATION :	
LENGHT :		MANUFACTURER :	
FIBRES :		COMMISSIONING DATE :	
CONSTRUCTION :			

### **Daily verification**

<b>DATE</b>		<b>INSPECTION OR INCIDENT</b>	<b>NOTES AND TECHNICIANS SIGNATURE</b>
1			
2			
3			
4			
5			
6			
7			
8			
9			
10			
11			
12			
13			
14			
15			
16			



17			
18			
19			
20			
21			
22			
23			
24			
25			
26			
27			
28			
29			
30			
31			
32			
33			
34			
35			
36			
37			
38			
39			
40			
41			
42			
43			
44			