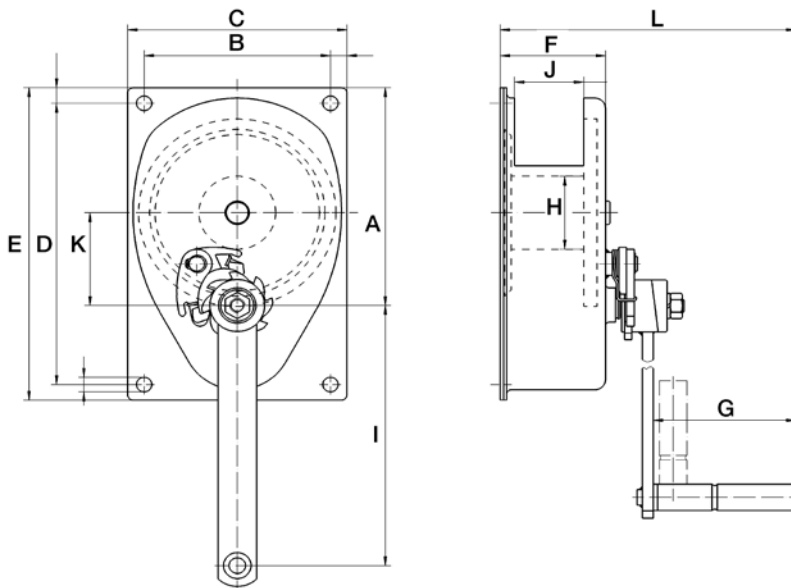
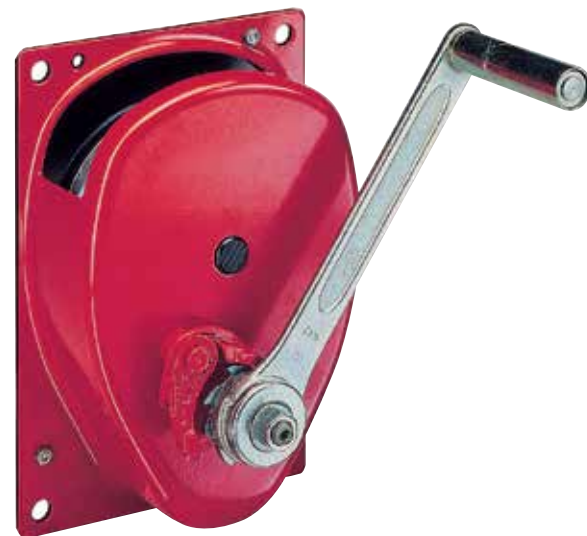


HAND WINCH TYPE HA-SG

Lifting capacity 300 kg to 3000 kg for wall mounting

- Wall mounted spur gear winch
- Robust spur gear hand winches with a high degree of safety
- With automatic SIKU type brake, self sustaining with folding handle
- Maintenance free bearings, corrosion resistant
- Painted finish as standard, orange (RAL 2004)
- Zinc plated finish available on capacities 300kg, 500kg, 750kg and 1000kg
- Complies with BS EN 13157



FEATURES OF THIS WINCH AT A GLANCE

Capacity	300 - 3,000kg
Mounting	Wall
Gearing	Spur
Quick	No
Crank	Fixed
Self Sustaining	Yes

Product code		HA-SG300	HA-SG500	HA-SG750	HA-SG1000	HA-SG2000	HA-SG3000
Lifting capacity 1st layer	(kg)	300	500	750	1000	2000	3000
Lifting capacity last layer	(kg)	203	330	580	750	1700	2500
Rope diameter	(mm)	6	6.5	8	9	12	13
Rope capacity 1st layer	(m)	2.7	2.1	3.7	3	3.6	2.9
Rope capacity total	(m)	11	10	12	10	8	7
Number of layers		4	4	4	4	2	2
Ratio		3.2:1	7.4:1	12.25:1	18.37:1	25.7:1	42.8:1
Lift per crank turn	(mm)	74	30	28	19	16	10
Required effort	N	190	210	200	180	320	300
Weight	(kg)	10	10	14	15	23	32

DIMENSIONS (mm)

Dimension	HA-SG300	HA-SG500	HA-SG750	HA-SG1000	HA-SG2000	HA-SG3000
A (mm)	209	209	263.2	263.2	271.5	348.5
B (mm)	170	170	250	250	180	220
C (mm)	200	200	290	290	220	260
D (mm)	270	270	250	250	280	380
E (mm)	300	300	290	290	330	442.5
F (mm)	96	96	125	125	250	255
G (mm)	130	130	130	130	250	250
H (mm)	70	70	102	102	120	120
I (mm)	250	250	250	250	300	300
J (mm)	63	63	90	90	126	126
K (mm)	89	89	145.7	145.7	161.5	223.5
L (mm)	270	270	299	299	550	550