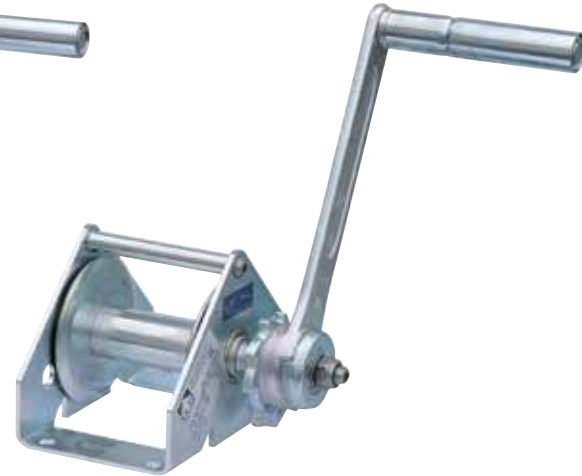




1250 kg



650 kg



300 kg

Lifting capacity from 300kg to 1250kg
Modern base or column mounted winch ideal for heavy duty applications

- Column or base mounting
- Lightweight
- High efficiency through spur gearing
- Smooth running
- All components are zinc plated and corrosion resistant
- Automatic load pressure brake prevents unintentional lowering of the load
- Enclosed solid gears
- Complies with BS EN13157
- Also available as a stainless steel unit

FEATURES OF THIS WINCH AT A GLANCE

| | | |
|--|------------------------|------------------|
| | Capacity | 300, 650, 1250kg |
| | Mounting | Base or column |
| | Gearing | Spur |
| | Quiet | No |
| | Crank | Fixed |
| | Self Sustaining | Yes |

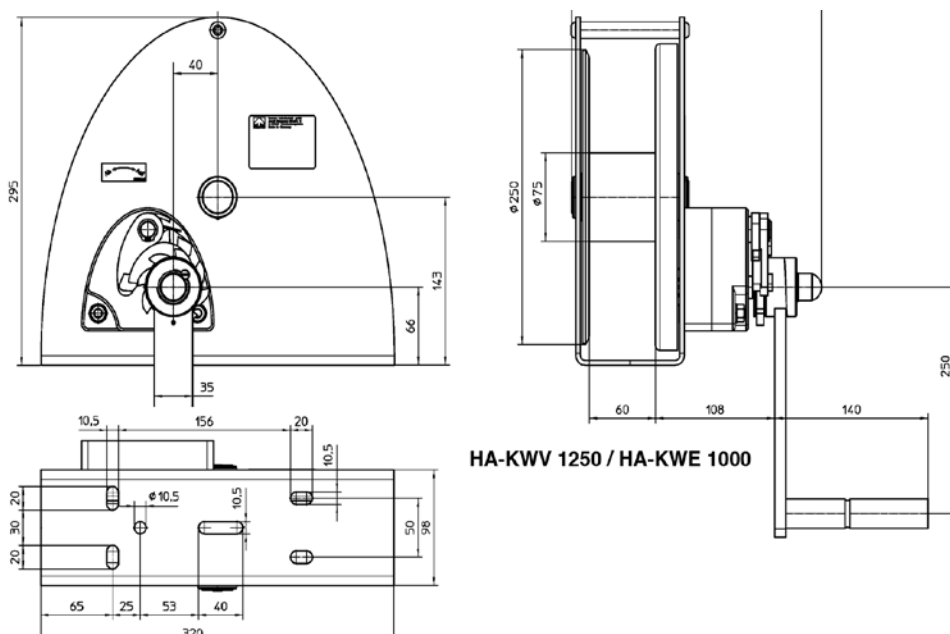
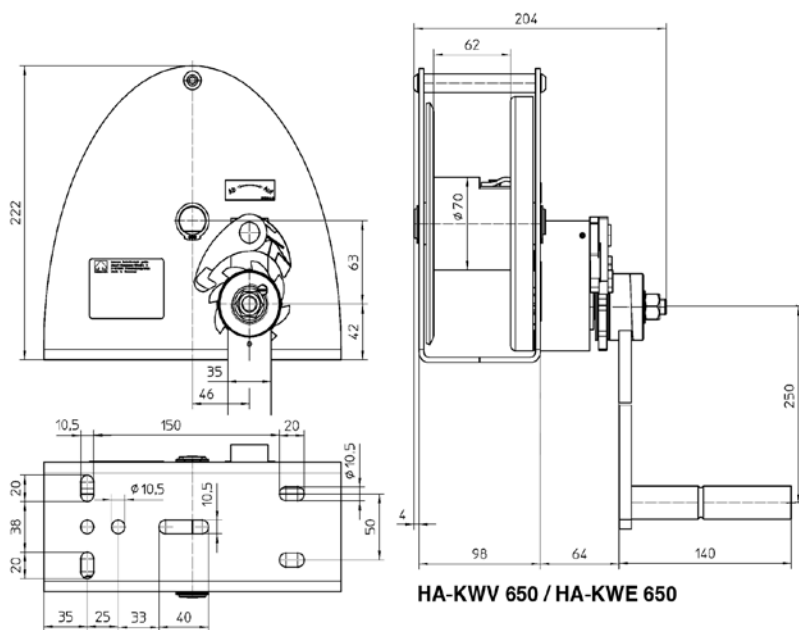
| Product code | | HA-KWV300 | HA-KWV650 | HA-KWV1250 |
|------------------------------|------|-----------|-----------|------------|
| Lifting capacity 1st layer | (kg) | 300 | 650 | 1250 |
| Lifting capacity last layer | (kg) | 150 | 330 | 480 |
| Wire rope diameter | (mm) | 4 | 6 | 8 |
| Wire rope capacity 1st layer | (m) | 2.5 | 2.4 | 1.9 |
| Wire rope capacity total | (m) | 22 | 23 | 28.5 |
| Number of layers | | 6 | 7 | 9 |
| Drum diameter | (mm) | 36 | 70 | 75 |
| Lift per crank turn | (mm) | 126 | 39 | 16 |
| Required effort | (N) | 270 | 240 | 240 |
| Weight | (kg) | 4 | 9 | 16 |

| Product code | | HA-KWE250 | HA-KWE650 | HA-KWE1000 |
|-----------------------------|------|-----------|-----------|------------|
| Lifting capacity 1st layer | (kg) | 250 | 650 | 1000 |
| Lifting capacity last layer | (kg) | 125 | 340 | 390 |
| Wire rope diameter | (mm) | 4 | 7 | 8 |
| Required effort | (N) | 220 | 240 | 200 |
| Lift per crank turn | (mm) | 126 | 39 | 16 |
| Wire rope capacity total | (m) | 22 | 16 | 28.5 |
| Weight | (kg) | 4 | 9.3 | 16 |



Stainless Steel Version (HA-KWE)

DIMENSIONS (mm)



HA-KWV 300 / HA-KWE 250

