

Lifting capacity 80 kg - 250 kg

- Worm geared, wall or base mounted winch for short movement
- Compact, inexpensive self sustaining lifting winches for loads up to 250 kg
- Base or wall mounting
- Self locking worm gear and protective cover for greater safety
- Quiet in operation; no brake ratchets
- Ideal for regular short moving strokes
- Meets the requirements of BS EN 13157

Options:

- Removable handle CS100MD & CS200MD

FEATURES OF THIS WINCH AT A GLANCE

	Lifting capacity	80 to 250kg
	Mounting	Base or wall
	Gearing	Worm
	Quiet	Yes
	Crank	Fixed
	Self Sustaining	Yes
	Lifting method	Wire rope or webbing



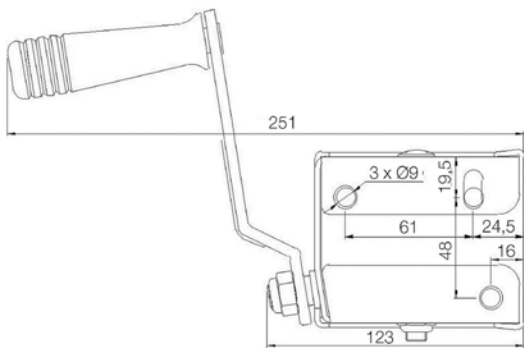
CS 100PS Webbing



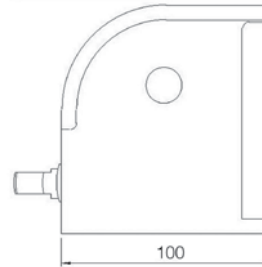
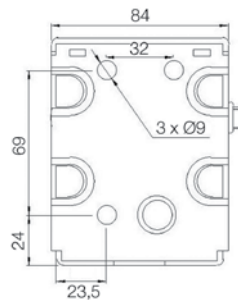
Shown with removable handle



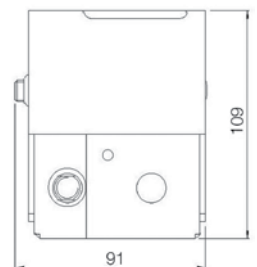
CS 100 wire rope winch



Base mounting



Wall mounting



Product code		GO-CS100	GO-CS200	GO-CS100PS
Winch type		Wire Rope	Wire Rope	Webbing
Lifting capacity 1st layer	(kg)	190	250	170
Lifting capacity last layer	(kg)	80	100	
Rope diameter	(mm)	3	3 or 4	-
Rope capacity total	(m)	9	4 or 2	-
Capacity- webbing, 1mm thick, 20mm wide	(m)	-	-	4.0
Drum diameter	(mm)	27	27	27
Numbers of rope layers		8	2 or 4	
Gear ratio		7:1	14:1	7:1
Lift per crank turn	(mm)	13	7	13
Required effort	(kg)	6	6	6
Weight	(kg)	1.8	1.8	1.8