

Manual wire rope winch with spur gear drive Model MWS

Capacities 125 - 2.000 kg

new!

- Winch housing and rope drum from robust steel plate
- Enclosed gear drive for protection of internal parts, even under tough working conditions
- Spur gears on roller bearings, rope drum on plain bearings
- Compact design
- Easy and quick mounting onto walls, poles, towers etc.
- Self-locking, back stroke proof, adjustable crank handle for fast lifting of smaller loads, resulting in lowest possible handle effort and rapid winding of the rope
- Automatic load pressure brake for safe holding and extremely sensitive lowering of the load. Unintentional brake release is prevented even with swinging loads
- The wire rope winch comes with yellow paint finish as standard
- Suitable for operation in ambient temperatures of -20° through +40°C
- Manufactured in compliance with the German Safety Regulations for Winches, Lifting and Pulling Equipment BGV D8

Optional

- Corrosion protected design
- Grooved rope drum for improved guidance of the wire rope
- Separation webs for operation with several wire ropes

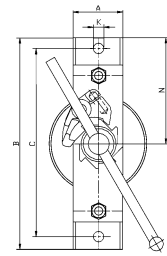
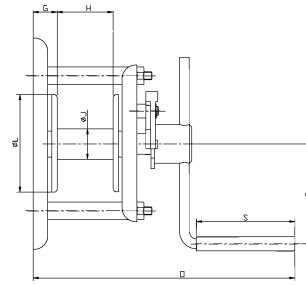
Applications

Suitable for applications in areas where electric energy is not available or where electric appliances cannot be safely operated on account of mud and dirt



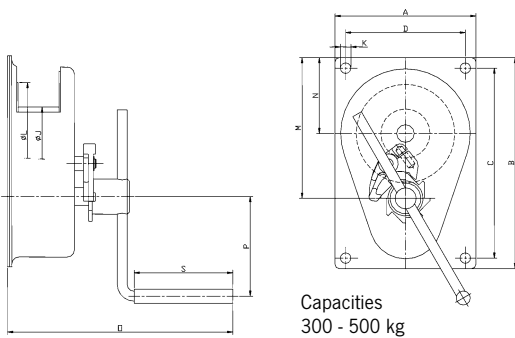
Model	Pulling force 1 st rope layer daN	Pulling force top rope layer daN	Crank effort 1 st rope layer daN	Rope advance per one crank rotation 1 st rope layer mm	Ratio	Weight without wire rope kg	Recommended rope diameter* mm
MWS 125	125	55	11	120	1:1	7	3
MWS 300 MWS 500	300 500	120 323	7 13	21 30	1:7,4 1:7,4	10 11	5 6
MWS 1000 MWS 2000	1000 2000	684 1712	15 24	21 16	1:17 1:25,7	28 32	9 13

Model	Breaking load of wire rope min. kN	Wire rope storage max. m	Number of rope layers max.
MWS 125	5,7	52	18
MWS 300 MWS 500	15,9 22,9	26 12	9 5
MWS 1000 MWS 2000	51,0 106,0	27 7	5 2

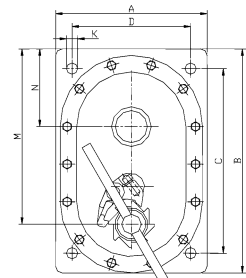
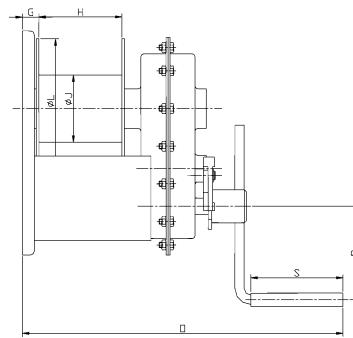


Capacity 125 kg

*acc. DIN 3060 FE-znk 1770sZ-spa



Capacities
300 - 500 kg



Capacities
1.000 - 2.000 kg

Capacities kg	A mm	B mm	C mm	D mm	G mm	H mm	ØJ mm	K mm	ØL mm	M mm	N mm	O mm	P mm	S mm
125	70	305	270	-	40	85	32	14	141	-	153	325	300	128
300	200	300	268	168	15	60	50	12	140	198	108	263	250	128
500	200	300	268	168	15	60	70	12	140	198	108	263	250	128
1000	230	340	280	180	27	126	102	17	212	266	118	425	250	128
2000	230	340	280	180	27	126	121	17	212	288	118	425	250	128

**Yale hoists are not designed
for passenger elevation applications
and must not be used for
this purpose!**



Certified since November 1991

Your local distributor: