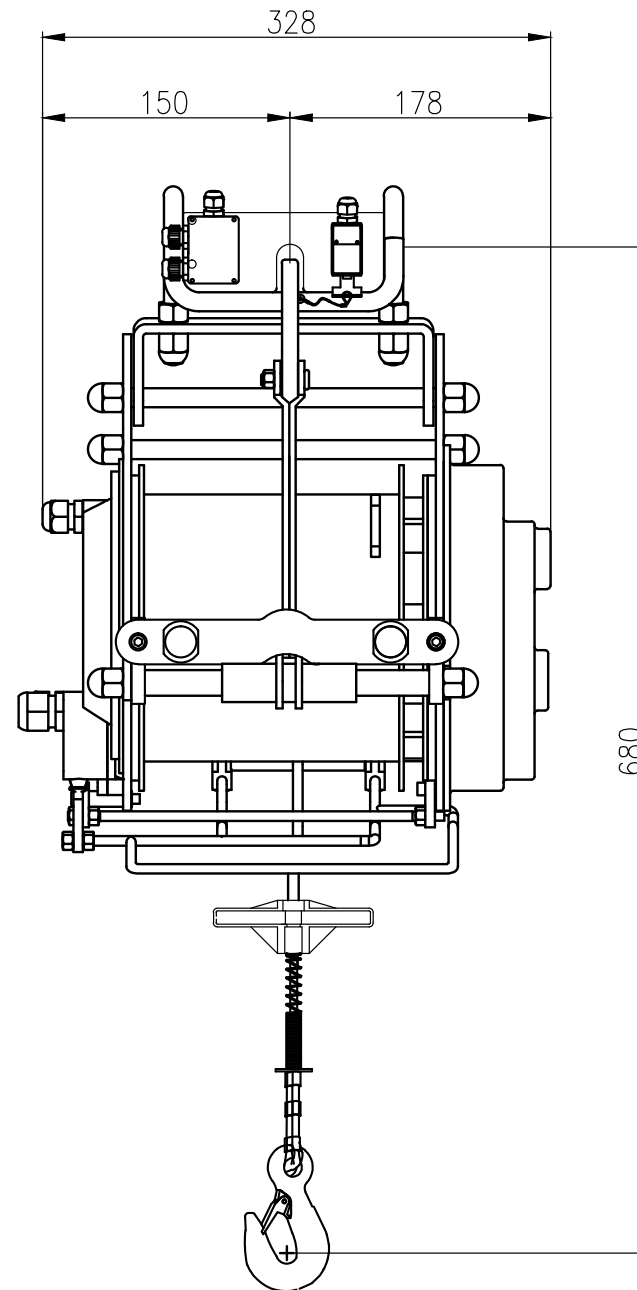
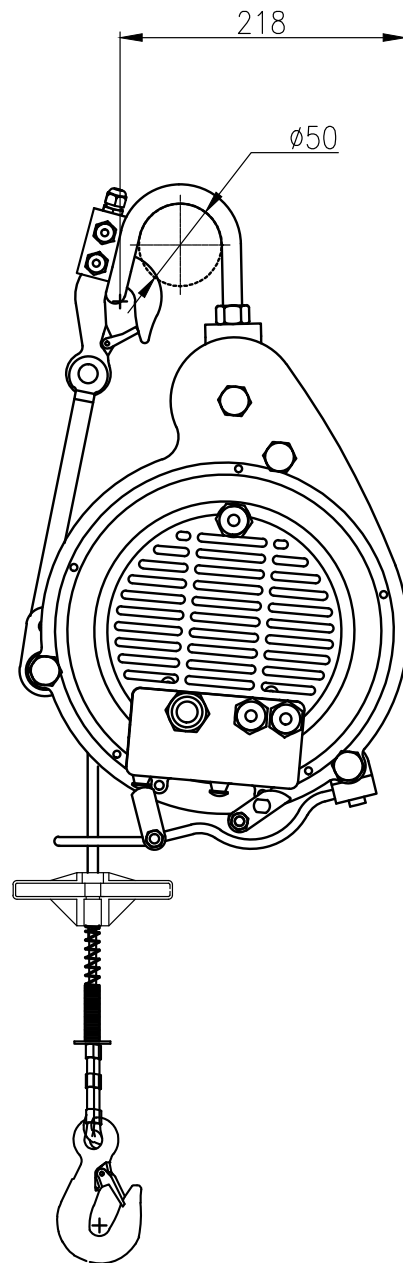




SCAFFOLD HOIST TECHNICAL DIAGRAM



VALUE WITHOUT COMPROMISE