

HW200-800/..

WINCH
SHOP

www.winchshop.co.uk
sales@winchshop.co.uk



orplex

www.orplexltd.co.uk
sales@orplexltd.co.uk



Spur gear winch

Hand driven spur gear winch:

- safe hoisting winch
- load pressure brake with ratchet system
- maintenance-free bearing
- ergonomic grip
- painted or stainless steel version
- in compliance with DIN 15020



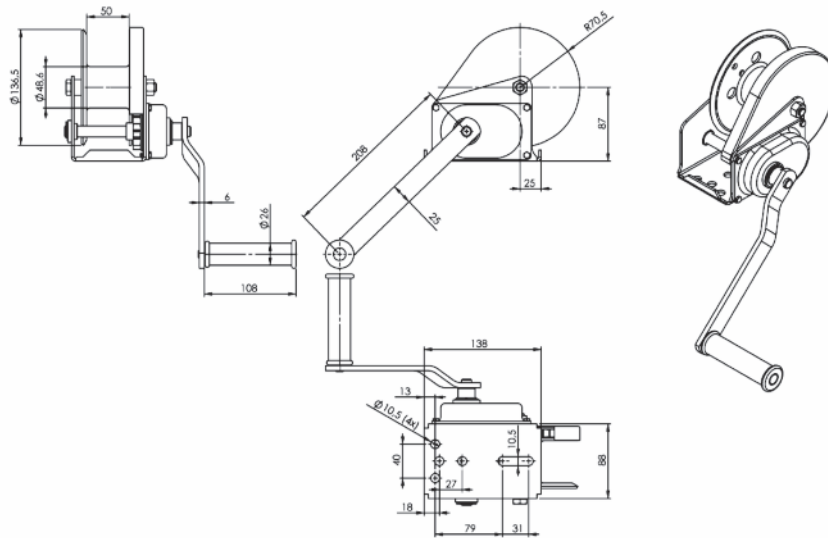
GEBUWIN
metal products



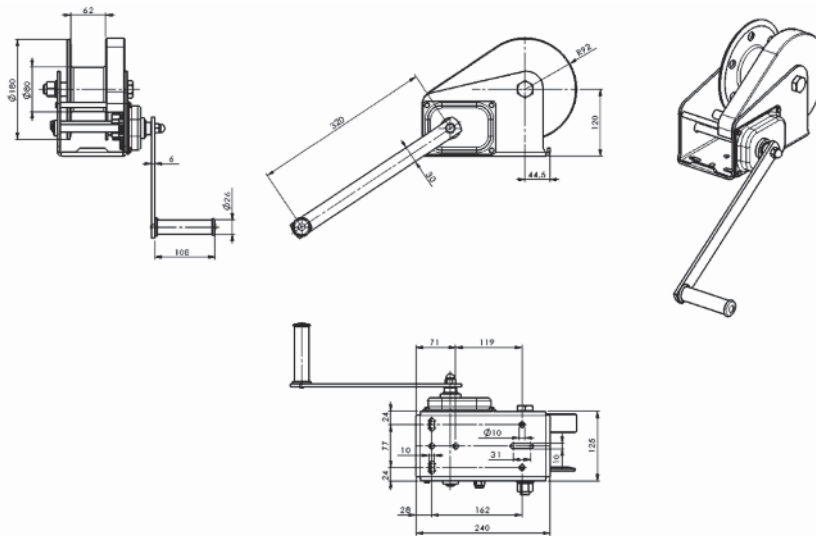
Industrieweg 6 7102 DZ Winterswijk The Netherlands
T +31 (0)543 532600 F +31 (0)543 532601
info@gebuwin.com www.gebuwin.com

Technical specifications HW200-800 ../..

HW200



HW800



Type	Mounting	Material	Remarks
HW200 GR	Ground, 3x M8 class 8.8	Painted finish	RAL 7038 (dark grey)
HW200 SS	Ground, 3x M8 class 8.8	Stainless steel	
HW800 SS	Ground, 4x M8 class 8.8	Stainless steel	

Technical specifications	HW200	HW800
Capacity:		
1 st cable layer	200 kg	800 kg
Last cable layer	86 kg	491 kg
Crankforce 1 st cable position	8 daN	13 daN
Hoisting length by one rotation of the crank, 1 st layer	40 mm	26 mm
Cable capacity	31 m	15 m
Diameter cable (EN 12383-4)	4 mm	8 mm
Min. breaking load cable	9 kN	34 kN
Own weight	4 kg	10 kg

subject to changes

www.gebuwin.com