



Tiger Ceiling Mounted Winches



SF-5000



SF-5000-S

Ceiling Mounted Winch SF-5000 (wire)/SF-5000-S (strap)

- 5000lb/2270kg capacity
- Split reel, which allows for operation of two cables
- Loop drive allows the winch to be mounted out of reach and operated with an extension pole fitted to engage the loop
- Positive load-actuated brake can hold the load in any position
- Gears and brake are fully covered to prevent dust, dirt and rain contamination
- Very low operator effort is required for easy operation



SF-5000E

Electric Ceiling Mounted Winch SF-5000E (wire)/SF-5000E-S (strap)

- 5000lb/2270kg capacity
- Compact and light weight
- Split reel, which allows for operation of two cables
- Completely sealed to prevent dust, dirt and rain contamination
- Brake motor for quick and safe stopping
- Very low operator effort is required for easy operation
- Powerful and smooth
- Can be operated manually during power failure (option)



WL-4600

Heavy Duty Ceiling Mounted Worm Gear Winch WL-4600

- 4600lb/2090kg capacity
- Self-braking
- Available in regular or split reel, which allows for operation of two line or cables for greater versatility
- Completely sealed to prevent dust, dirt and rain contamination



HW-2000

General Purpose Hand Winch HW-2000 (can be ceiling mounted)

- 2000lb/900kg capacity
- Available in regular or split reel, which allows for operation of two line or cables for greater versatility
- Available in handle or loop drive models
- Can be ceiling mounted with loop drive
- Operating temperature -20°C to +80°C (temperature range of -40°C to +80°C available as an option)



HW-2000 with handle

Some of the HW-2000 stock precedes the enhancements with the additional gear cover. Please contact us for details.





Tiger Lifting



www.tigerlifting.com

Tiger

Home of the Tiger hoisting, winching and height safety ranges

Certification:

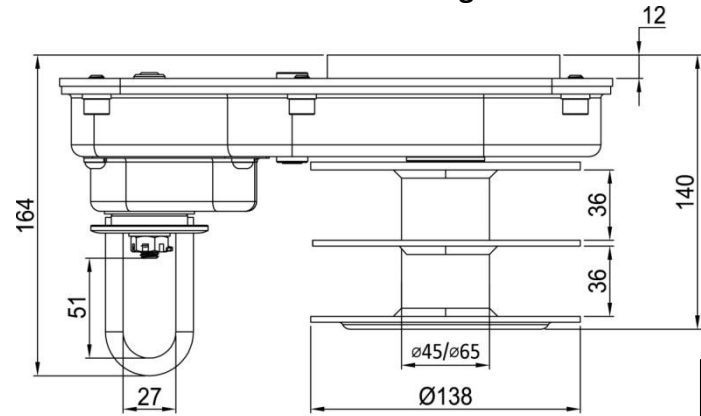
Each unit comes fully certified with a test certificate or an EC Declaration of Conformity stating compliance with the essential health and safety requirements of the Machinery Directive 2006/42/EC.

Technical Data

Product Code	Pulling Capacity (lbs/kg)	Lifting capacity (first layer)	Lifting capacity (last layer)	Hand Force Required (kg)	Gear Ratio	Hub Diameter (mm)	Handle Length (mm)	Unit Weight (with handle) (kg)	Unit Weight (with loop) (kg)	Cable Diameter (mm/inch)	Cable Storage Cap. (m)
SF-5000	5000/2270	5000/2270	2670/1210	4	90.24:1	ø65	--	--	9.3	ø6.4/ø1/4	11*2
SF-5000-S	5000/2270	5000/2270	2670/1210	4	90.24:1	ø45	--	--	9.3	--	4.5*2
SF-5000E	5000/2270	5000/2270	2670/1210	--	90.24:1	ø65	--	--	23.14	ø6.4/ø1/4	11*2
SF-5000E-S	5000/2270	5000/2270	2670/1210	--	90.24:1	ø45	--	--	23.14	--	4.5*2
WL-4600	4600/2090	4600/2090	2285/1035	6.0	65:1	ø65	--	--	12.5	ø6.4/ø1/4	11*2
HW-2000	2000/900			4.5	41:1	ø48	195	*5.1	*4.8	ø5.6/ø7/32	11*2

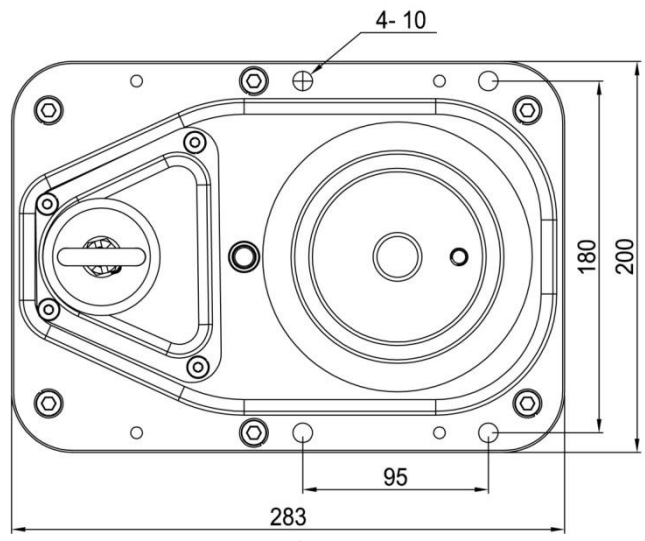
*Weights for HW range are for single reel model
For winches with split reels, each side has half the capacity.

Technical Drawings



Drum diameter:
SF-5000 (for wire) = ø65mm
SF-5000-S (for strap) = ø45mm

Other loop sizes available.



SF-5000 (wire)/SF-5000-S (strap)





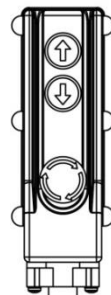
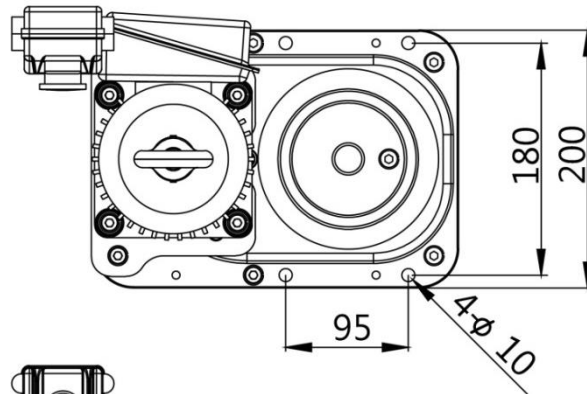
Tiger Lifting



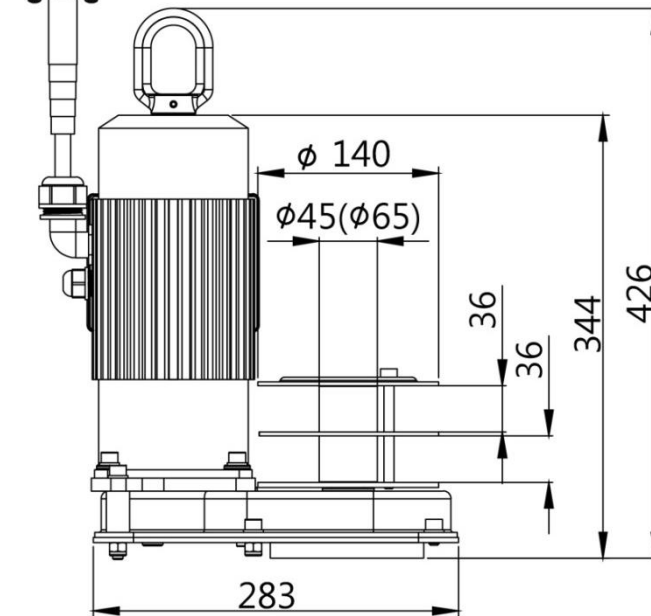
www.tigerlifting.com

Tiger

Home of the Tiger hoisting, winching and height safety ranges



Drum diameter:
SF-5000E (for wire) = $\varnothing 65\text{mm}$
SF-5000E-S (for strap) = $\varnothing 45\text{mm}$
Other loop sizes available.



SF-5000E (wire)/SF-5000E-S (strap)





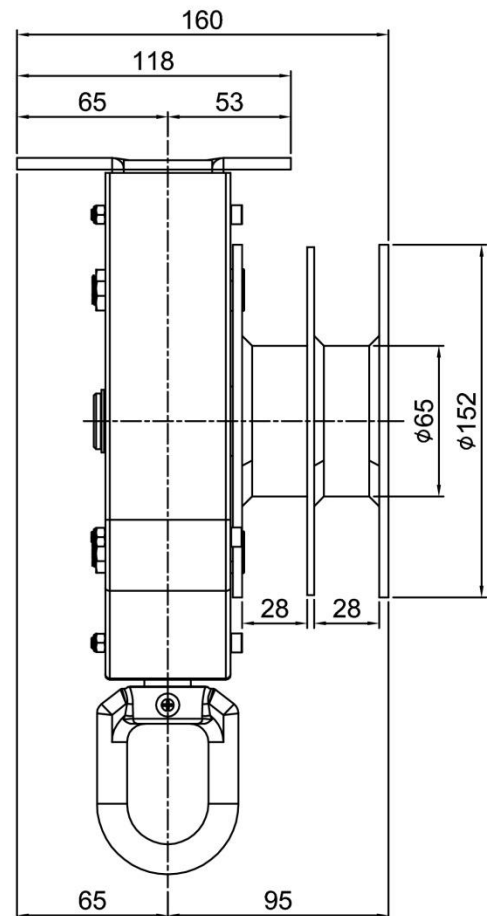
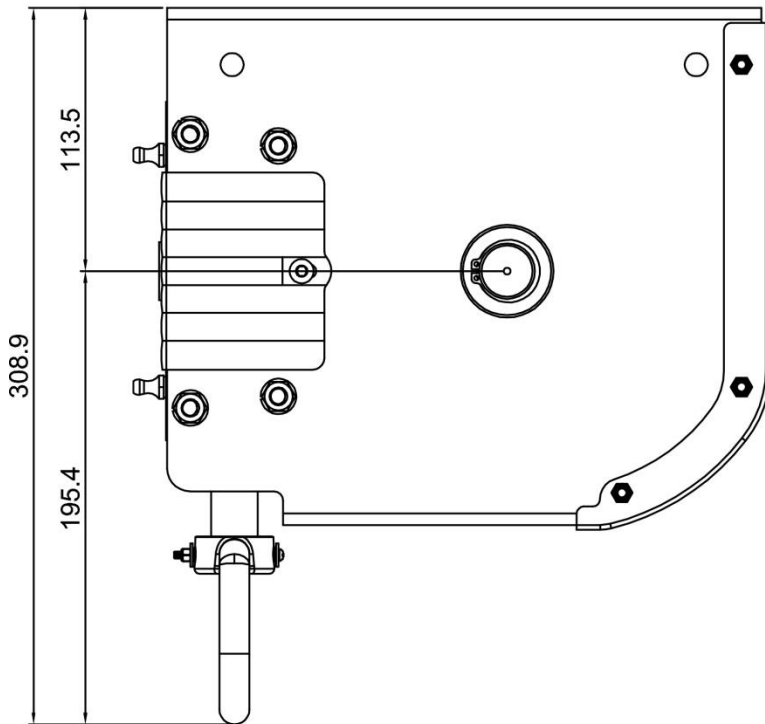
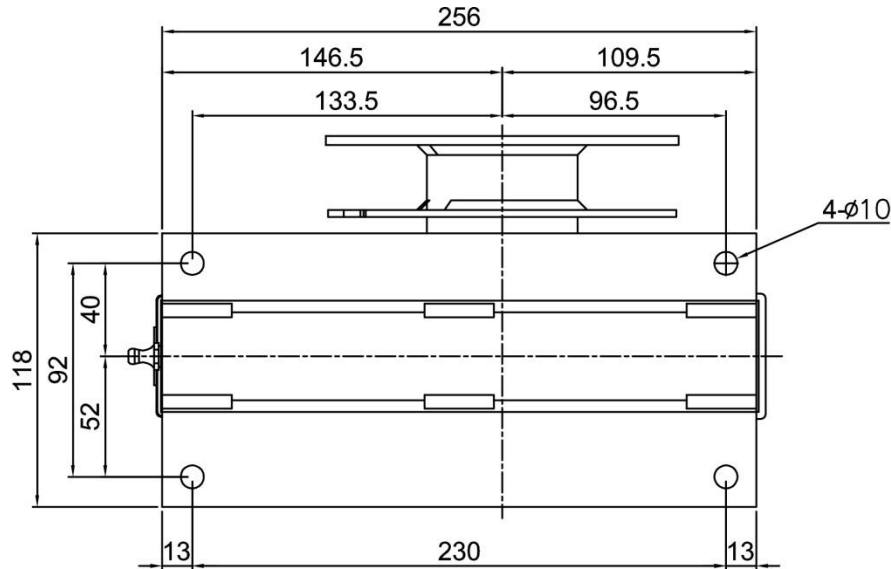
Tiger Lifting



www.tigerlifting.com

Tiger

Home of the Tiger hoisting, winching and height safety ranges



WL-4600





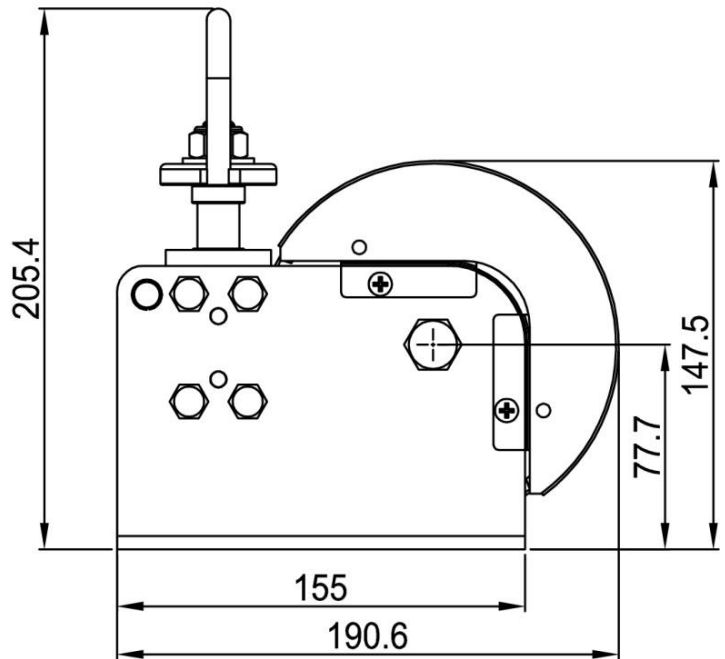
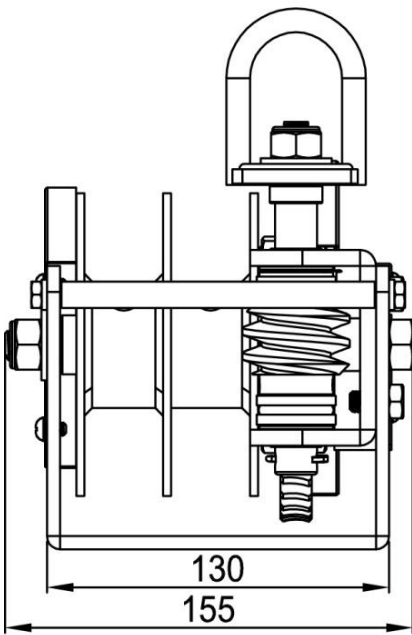
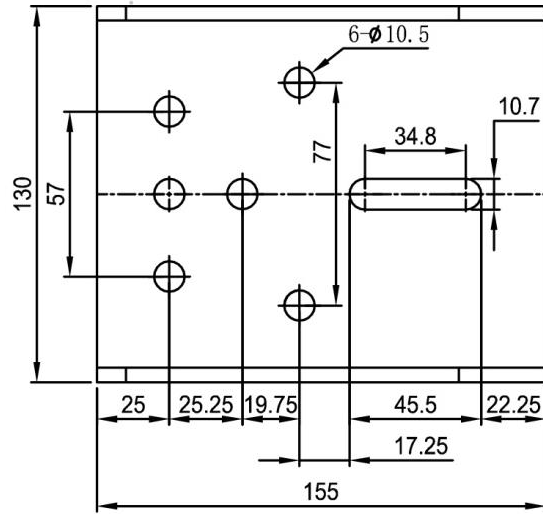
Tiger Lifting



www.tigerlifting.com

Tiger

Home of the Tiger hoisting, winching and height safety ranges



HW-2000 (with loop)

Due to our policy of continual product development, dimensions, weights and specifications may change without prior notice. Please check with your Tiger sales team when ordering.

