



PULLEY'S 2018



PULLEYS

Orplex offer a wide range of pulleys:

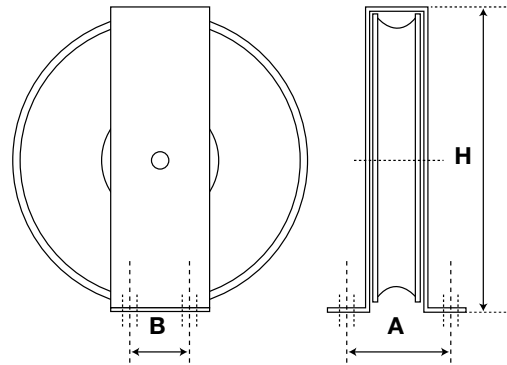
- Zinc finish
- Stainless steel
- Cast Pulleys
- With or with out bracket
- Polyamide
- Single grooved and twin grooved
- From 0.5kg to 7.5t
- From 2mm to 20mm rope options

Orplex also offer a bespoke Pulley service, please see our quotation request form at the end of the pulley section.

If we don't have it we will try and make it for you.



© winchshop.co.uk



© winchshop.co.uk



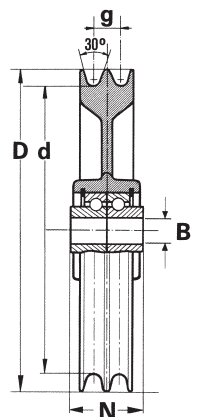
© winchshop.co.uk



© winchshop.co.uk



© winchshop.co.uk

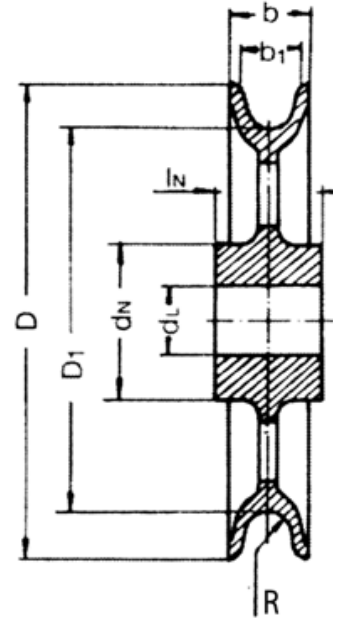


PULLEY TYPE 1A(PT1A) -WITH BRONZE BUSH - FOR WIRE OR FIBRE ROPE Quick Ref:157.1

- Cast Iron Pulleys with bronze bush for use on their own or to assemble into brackets.
- Ideal for most applications where wire rope needs to be diverted.
- For use with wire or fibre rope.
- For use with powered or manual driven winches.
- Four model types available from stock, 500kg, 1,000kg, 2,000kg and 3,000kg

Cast iron with bronze bush for assembly into brackets.

Product code		PT1A500KG Ref:157.1.1	PT1A1000KG Ref:157.1.2	PT1A2000KG Ref:157.1.3	PT1A3000KG Ref:157.1.4
Capacity	(kg)	500	1000	2000	3000
D	(mm)	100	125	150	200
D1	(mm)	82	116	164	200
dL	(mm)	19	22	30	40
dN	(mm)	40	42	60	70
IN	(mm)	23	24	29	40
b	(mm)	21	22	26	37
b1	(mm)	14	16	18	26
R	(mm)	6	6.5	7	10
Max rope diameter (powered)	(mm)	10	12	13	18
Max rope diameter (Non powered)	(mm)	8-10	10-12	11-13	13-18
Weight	(kg)	0.6	0.9	1.7	3.7



Pulleys are manufactured by our own brand



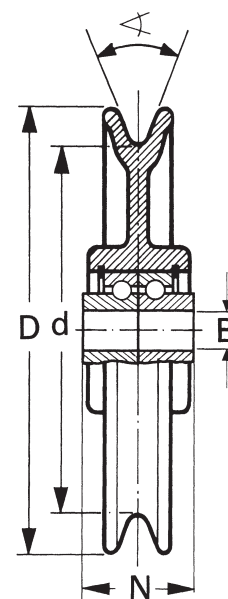
WEBI PULLEY TYPE ETT-74 - GALVANISED CAST IRON PULLEY (ETTER) Quick Ref: 155.2



- **WEBI galvanised cast iron single pulley / sheave ETT-74**
- **Complete with bearing and fixing bolt**
- **Material finish - galvanised cast iron**
- **Capacities from 200 kg to 1,000 kg**
- **To suit 3 mm - 12 mm wire rope (see specification PDF for full details)**
- **For use with manual and powered winches**
- **SWISS MANUFACTURED**

- With bearing and fixing bolt
- Material - galvanized cast iron

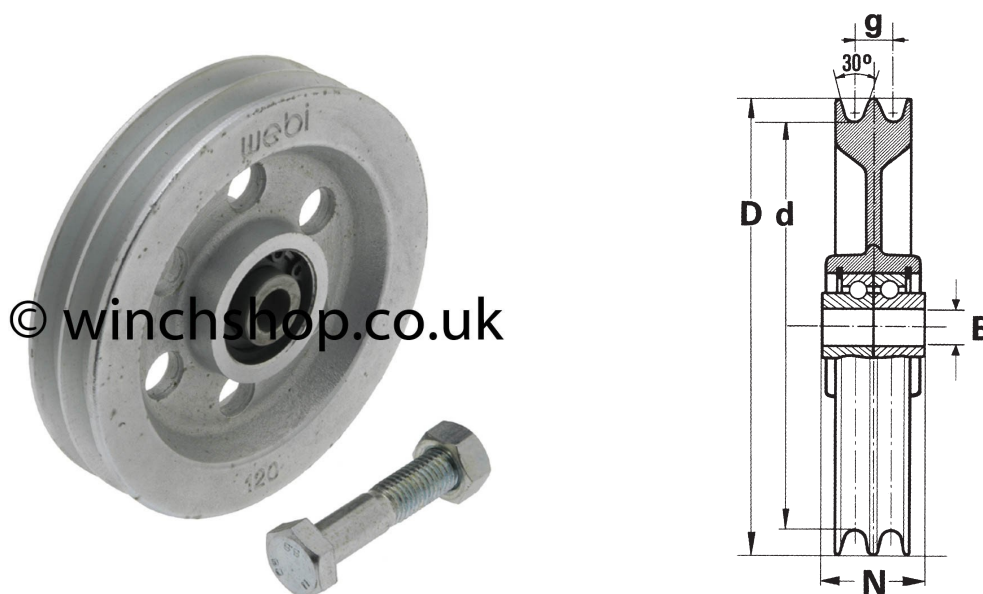
Product code			ETT-74-50 155.2.1	ETT-74-60 155.2.2	ETT-74-70 155.2.3	ETT-74-80 155.2.4	ETT-74-100 155.2.5	ETT-74-120 155.2.6	ETT-74-150 155.2.7	ETT-74-180 155.2.8	ETT-74-210 155.2.9	ETT-74-240 155.2.10	ETT-74-300 155.2.11
Diameter of pulley	D	MM	50	60	70	80	100	120	150	180	210	240	300
Load capacity		KG	100	100	200	200	300	400	500	500	800	800	1000
Max fleet angle	FLEET ANGLE	MM	40	40	40	40	40	40	40	40	40	30	30
Rope diameter			2.5	3	3	4	4	5	6.5	8	9	10	12
Width	N	MM	19	19	26	26	30	30	34	34	38	38	38
Fixing bolt		MM	6x35	6x35	8x45	8x45	10x55	12x60	14x65	14x65	16x70	16x70	16x70
	d	MM	37	46	56	65	83	100	130	160	185	206	265
Bore	B	MM	6.2	6.2	8.2	8.2	10.2	12.2	14.2	14.2	16.5	16.5	16.5
Number bearings			1	1	2	2	2	2	2	2	2	2	2
Weight per item		KG	0.19	0.27	0.37	0.41	0.6	0.9	1.6	2	3.4	4	6.5



WEBI Pulley Type ETT-74D - Galvanised Cast Iron Double Groove Pulley (ETTER) Quick Ref: 155.5

- WEBI Pulley / Sheave with double groove complete with bearing and fixing bolt Material galvanised cast iron
 - Complete with bearing and fixing bolt
 - Material finish - galvanised cast iron
 - Capacities from 300 kg to 800 kg
 - To suit 5mm, 6mm- or 6.5 mm wire rope (see specification PDF for full details)
 - For use with manual and powered winches (any applications where rope needs to be diverted)
 - SWISS MADE "ETTER"
- With bearing and fixing bolt
 - Material - galvanized cast iron

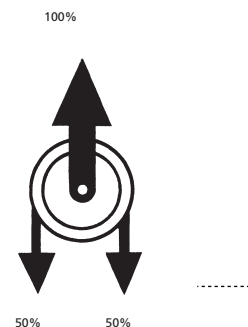
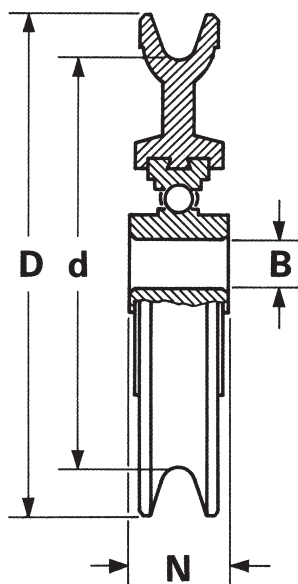
Product code			ETT-74D-100 155.5.1	ETT-74D-120 155.5.2	ETT-74D-180 155.5.3	ETT-74D-210 155.5.4
Diameter of pulley	D	MM	100	120	180	210
Load capacity		KG	300	400	500	800
Rope diameter	∅	MM	5	6	6.5	6.5
Width	N	MM	30	30	34	38
Fixing bolt		MM	10X55	12X60	14X65	16X70
	d	MM	86	106	162	192
Bore	B	MM	10.2	12.2	14.2	16.5
Distance grove	g	MM	10	12	12	12
Weight per item		KG	0.8	1.2	2.3	3.3



WEBI PULLEY, TYPE ETT-104P- POLYIMIDE (BLACK) PULLEY WITH BALL BEARINGS (ETTER) Quick Ref: 155.6

- WEBI, High-resistance Polyamide (Ultramide) black pulley with ball bearing - Type ETT-104P
- The 104P range has capacities from 60kg - to 150kg
- Four models, to suit 3, 4, 5 mm - wire rope (see specification PDF for full details)
- For use with manual and powered winches
- SWISS MADE "ETTER"
- All four model types available from stock
- Suitable for applications in wet / damp / offshore / pharmaceutical / oil & gas applications, where high resistance is required.

Product code			ETT-104P-50 155.6.1	ETT-104P-60 155.6.2	ETT-104P-80 155.6.3	ETT-104P-100 155.6.4
Diameter of pulley	D	MM	50	60	80	100
Load capacity		KG	60	70	100	150
Rope diameter	∅	MM	3	4	5	5
Width	N	MM	14	16	16	18
	d	MM	38	46	64	85
Bore	B	MM	6.2	6.2	8.2	10.2
Weight per item		KG	0.05	0.06	0.09	0.12

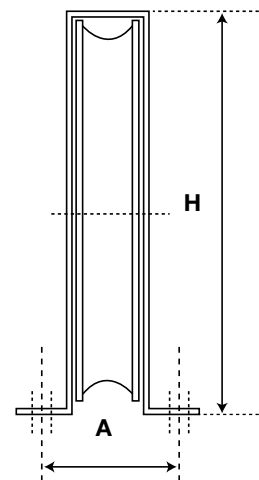
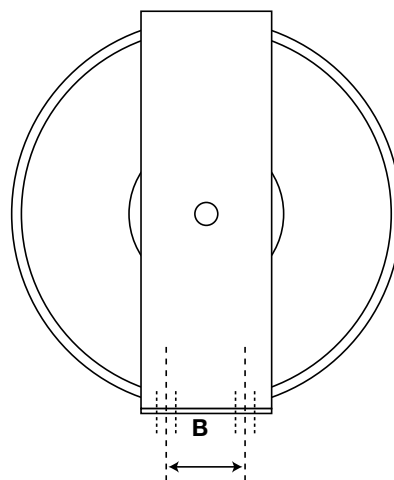


PULLEY TYPE ETT 116 P COMPLETE WITH BRACKET FOR WIRE ROPE Quick Ref: 155.1

- WEBI Polyamide pulley with bearing and galvanised bracket type ETT-116P
- Complete with bearing and fixing bolt
- Capacities from 60kg -to 150 Kg
- To suit 3mm - 5mm wire rope (see specification PDF for full details)
- Mounting hole diameter = 5mm
- For use with manual and powered winches
- SWISS MADE "ETTER"

Material - Polyamide pulley with bearing, galvanized steel bracket

Product code		ETT - 116 - P50 155.1.1	ETT - 116 - P60 155.1.2	ETT - 116 - P80 155.1.3	ETT - 116 - P100 155.1.4
Diameter of pulley	(mm)	50	60	80	100
Rope diameter Ø	(mm)	3	4	5	5
Capacity	(kg)	60	70	100	150
A	(mm)	41	43	48	54*
B	(mm)	20	20	24	42
H	(mm)	56	66	88	107
Mounting hole Ø	(mm)	5	5	6	6
Weight	(kg)	0,14	0,18	0,3	0,5

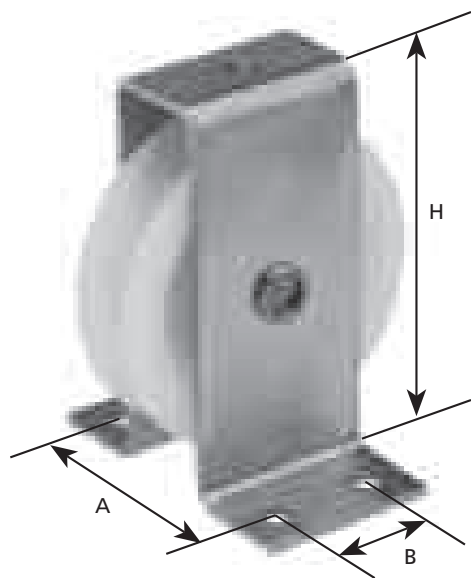


WEBI PULLEY TYPE ETT-156P- POLYIMIDE PULLEY WITH GALV BRACKET (ETTER) Quick Ref: 155.11



- WEBI Polyamide (Nylon) pulley with plain bearing and galvanised bracket Type ETT-156P
- Capacities from 30kg -to 90kg
- 5 models, to suit 8mm - 12mm wire rope (see specification PDF for full details)
- Mounting hole diameter = 5mm
- For use with diversion of rope is required in winching applications
- SWISS MADE "ETTER"
- Five model types available from stock
- Suitable for applications in offshore, gas & oil, utilities, water treatment works

Product code			ETT-156P-40 155.11.1	ETT-156P-50 155.11.2	ETT-156P-60 155.11.3	ETT-156P-80 155.11.4
Diameter of pulley	D	MM	40	50	60	80
Load capacity		KG	30	40	60	90
Rope diameter	Ø	MM	8	8	10	12
Width	A	MM	40	42	45	54
Fixing bolt		MM	57x35	60x35	60x35	74x50
Height	H	MM	56	66	76	98
Fixing hole space	B	MM	20	20	20	30
Screw holes		MM	5	5	5	5
Weight per item		KG	0.09	0.12	0.16	0.35



© winchshop.co.uk



© winchshop.co.uk



PULLEY TYPE ETT 160 COMPLETE WITH BRACKET - FOR WIRE ROPE Quick Ref: 155.4

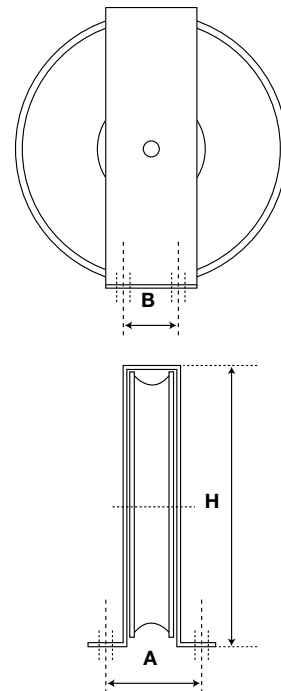
- WEBI Galvanised cast iron pulley with bearing and pressed steel bracket
- Complete with bearing and fixing bolt
- Material finish - galvanised cast iron
- Capacities from 100 kg to 400 kg
- To suit 3 mm - 5 mm wire rope (see specification PDF for full details)
- For use with manual and powered winches (any applications where rope needs to be diverted)
- SWISS MADE "ETTER"

ETT-160 PULLEY COMPLETE WITH BRACKET - FOR WIRE ROPE

Material - galvanized cast iron pulley with pressed steel bracket

Product code		ETT - 160-60 155.4.1	ETT - 160-80 155.4.2	ETT - 160-100 155.4.3	ETT - 160-120 155.4.4
Diameter of pulley	(mm)	60	80	100	120
Groove for wire cable Ø	(mm)	3	4	4	5
Load Capacity	(kg)	100	200	300	400
A	(mm)	46	60	78*	70
B	(mm)	20	24	42	46
H	(mm)	66	88	109	130
Mounting hole Ø	(mm)	5	6	7	10
Weight per item	(kg)	0,35	0,6	1,1	1,6

© winchshop.co.uk

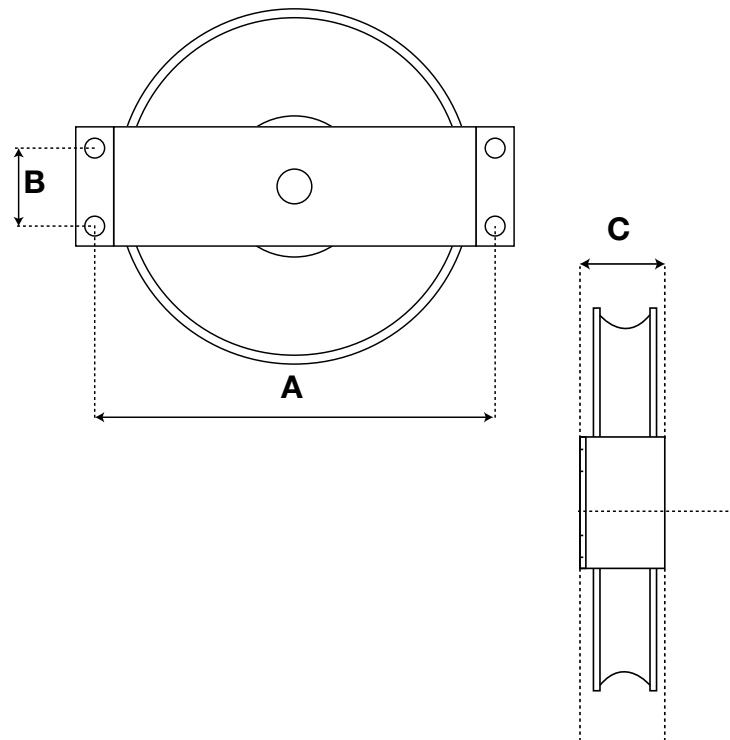


WEBI Pulley Type ETT-170 - Galvanised Cast Iron Side Mounted Pulley (ETTER) Quick Ref:155.3

- WEBI Galvanised cast iron pulley with bearing and pressed steel bracket
- Complete with bearing and fixing bolt
- Material finish - galvanised cast iron
- Capacities from 100 kg to 500 kg
- To suit 3 mm - 12 mm wire rope (see specification PDF for full details)
- For use with manual and powered winches (any applications where rope needs to be diverted)
- SWISS MADE "ETTER"

Material - galvanized cast pulley with bearing - pressed steel bracket

Product code			ETT - 170-50 /155.3.1	ETT - 170-60 /155.3.2	ETT - 170-80 /155.3.3	ETT - 170-100 /155.3.4	ETT - 170-120 /155.3.5	ETT - 170-150 /155.3.6
Diameter of pulley	D	(mm)	50	60	80	100	120	150
Rope diameter	Ø	(mm)	2,5	3	4	4	5	6,5
Load capacity		(kg)	100	100	200	300	400	500
Screw fixing plate		(mm)	90x35	100x40	130x50	145x50	185x60	230x80
Size	A	(mm)	74	84	112	132	160	200
Size	B	(mm)	20	24	32	32	40	56
Size	C	(mm)	26	26	35	40	47	55
Mounting hole	Ø	(mm)	5	5	6	6	8	10
Weight per item		(kg)	0,25	0,35	0,7	0,9	1,5	2,8



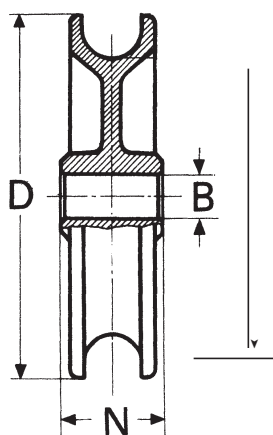
WEBI PULLEY, TYPE ETT-190P- POLYIMIDE (PA 6 WHITE) PULLEY (ETTER) QUICK REF: 155.9



- WEBI, Polyamide (PA 6 white)/ Nylon) pulley - Type ETT-190P
- The 190P range has capacities from 20kg - to 140kg
- Eight models, to suit 4 through to 16mm hemp or synthetic rope (see specification PDF for full details)
- For use with where diversion of rope is required.
- SWISS MADE "ETTER"

Product code			ETT-190P-20 155.9.1	ETT-190P-30 155.9.2	ETT-190P-40 155.9.3	ETT-190P-50 155.9.4
Diameter of pulley	D	MM	20	30	40	50
Load capacity		KG	20	20	30	40
Rope diameter	∅	MM	4	5	8	8
Width	N	MM	8	11	13	15
	d	MM	11	22	28	38
Bore	B	MM	5.2	5.2	6.2	6.2
Number bearings						
Weight per 10		KG	0.05	0.07	0.08	0.16

Product code			ETT-190P-60 155.9.5	ETT-190P-80 155.9.6	ETT-190P-100 155.9.7	ETT-190P-120 155.9.8
Diameter of pulley	D	MM	60	80	100	120
Load capacity		KG	60	90	120	140
Rope diameter	∅	MM	10	12	16	16
Width	N	MM	18	23	28	28
	d	MM	44	59	74	94
Bore	B	MM	8.2	10.2	12.2	14.2
Number bearings						
Weight per 10		KG	0.27	0.6	1.1	1.3



© winchshop.co.uk



© winchshop.co.uk



Pulley with Bracket (PT5)100mm \varnothing - Rope \varnothing 5-6.5mm - Sheave Stainless - Bracket Stainless (304) - 500kg SWL Quick Ref:152.14.6



- A 500 kg rope pulley complete with bracket.
- Stainless Steel (304), for use in aggressive environments.
- Pulley Diameter: 100mm
- For use with Rope Diameter \varnothing 5 to 6.5mm

STAINLESS STEEL WIRE ROPE PULLEYS

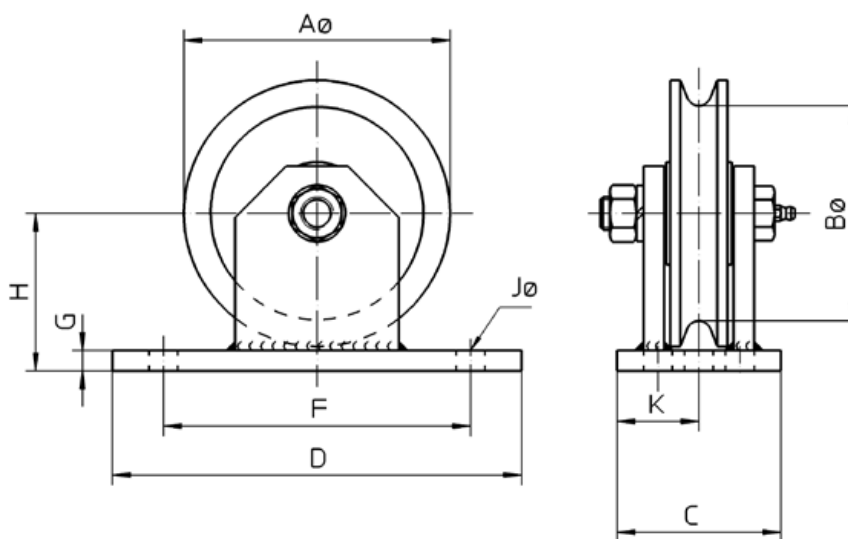
A 500 kg rope pulley complete with bracket, in stainless steel, for use in aggressive environments.

Product code		PT5-SS500KG 152.14.6
Capacity	(kg)	500
Materials		Stainless Steel V2A
Wire rope diameter	(mm)	5-6
Weight	(kg)	2



DIMENSIONS (mm)

Capacity (kg)	500
A	100
B	80
C	60
D	150
F	100
G	10
H	62
J	14
K	30



Pulley (PTM)with Bracket 55mm ϕ - Rope ϕ 2-4mm - Sheave Polyamide - Bracket Stainless Steel (304) or Zinc- 125kg SWL Quick Ref:152.14



PTM - Zinc

- A 125 kg SWL Rope Pulley Sheave made from Polyamide (PA 6)
- Complete with Steel with Zinc Coated (S235JR/ surface galvanised FeZn 12C) Bracket, for use in aggressive environments.
- Suitable for wire rope 2-4mm.
- Self weight 0.25kg

PTM - Stainless

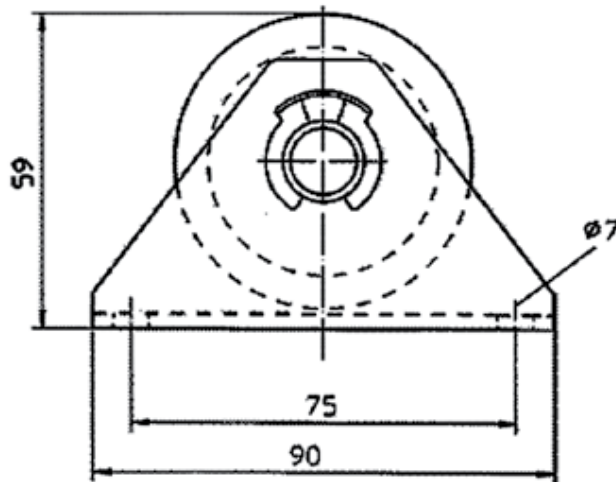
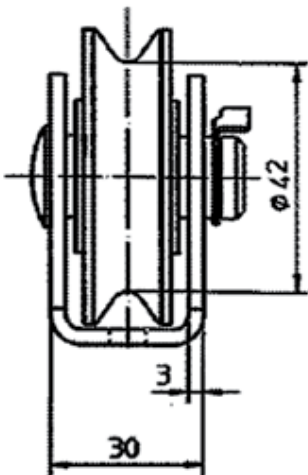
- A 125 kg SWL Rope Pulley Sheave made from Polyamide (PA 6)
- Complete with Stainless Steel (A304) Bracket, for use in aggressive environments.
- Pulley Diameter 55mm
- Suitable for wire rope 2-4mm.
- Self weight 0.25kg

PULLEY TYPE PTM - FOR WIRE ROPE

Simple low cost pressed bracket with polyamid pulley. steel or stainless steel options.



Product code	Max capacity (kg)	Rope dia ϕ (mm)	Weight (kg)	Rope pulley material	Bracket material
PTM-125G 152.14.7	125	2-4	0.25	Polyamid	Steel, zinc coated
PTM-125SS 152.14.8	125	2-4	0.25	Polyamid	Stainless steel



Gebuwin Pulley block 150 - 7500 kg Quick Ref:156.20

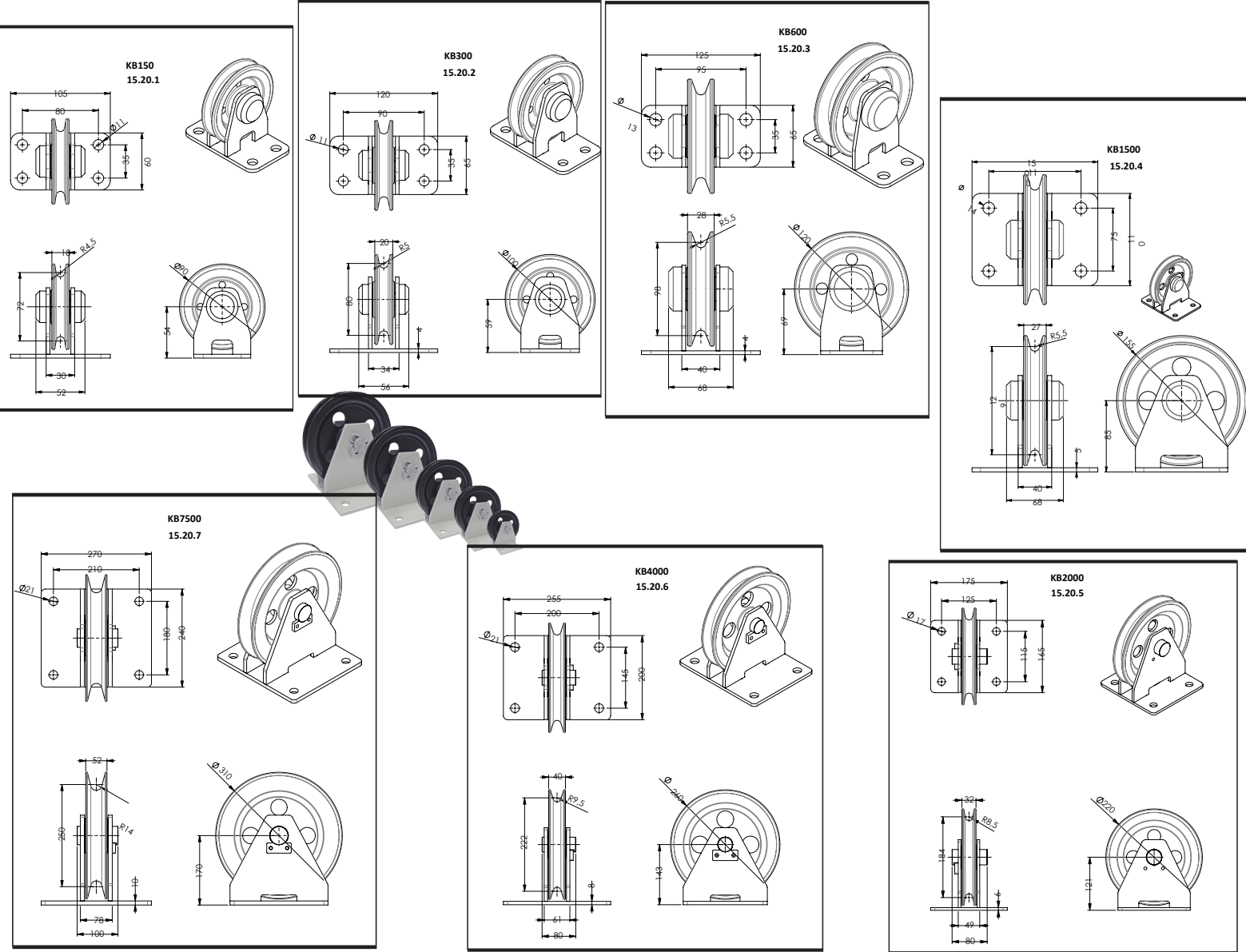


Product specifications

- Robust construction due to a cast iron cable pulley in a steel frame
- Suitable only for hand winch applications
- Cable pulleys are fitted with sliding bearings
- The numbers in the product name correspond with the maximum load capacities
- Standard paint finish in grey (RAL 7035) and black (RAL 9005) according to DIN 12944, C1M



Product code			KB150 15.20.1	KB300 15.20.2	KB600 15.20.3	KB1500 15.20.4	KB2000 15.20.5	KB4000 15.20.6	KB7500 15.20.7
Load capacity		KG	150	300	600	1500	2000	4000	7500
Rope diameter	Ø	MM	4	4	6	10	12	16	22
Weight per item		KG	1	1	1.5	3	6.5	11.5	21



Pulley quotation form

Pulleys are manufactured



Designed to be affordable,
with quality never being
compromised.

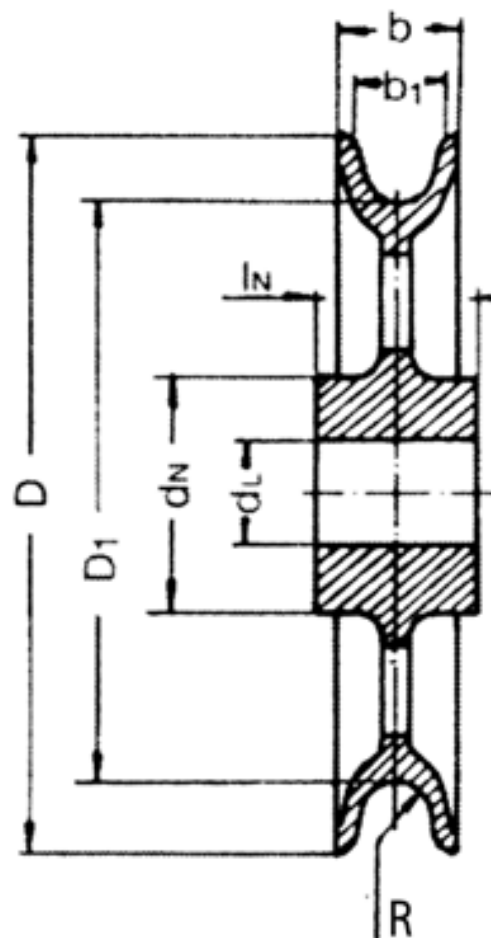


Please fill in required information below and email back to : sales@winchshop.co.uk

Description			Info required
Load capacity			KG
	D		MM
	D1		°
	dL		MM
	dN		MM
	IN		MM
	b		MM
	b1		MM
Rope diameter			MM

Other info		
Material	Cast	YES - NO
Material	Steel	YES - NO
	Polyamide	YES - NO
Support	Bracket	YES - NO

Customer Notes





orplex



Orplex Limited
Unit 4 Portland Ind Est
Portland Street
Bury
Lancashire
BL9 6EY
United Kingdom