

Worm gear hand winch

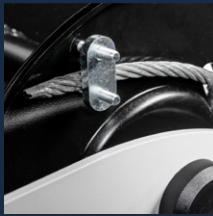
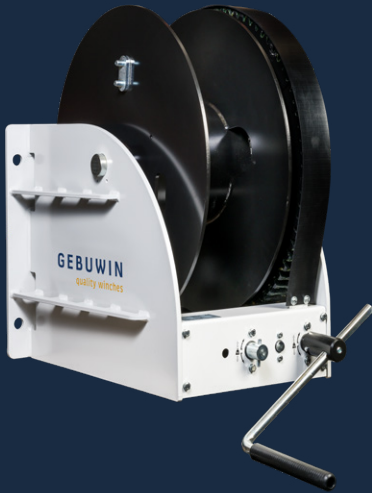
2000 – 7500 kg

Description of the winch

This hand winch is very safe due to the natural braking effect of the worm gear transmission in combination with the load pressure brake. In addition, the winch is easy to use, can be mounted in various ways and has a cable storage up to 120 meters.

Product specifications

- > robust and safe lifting and pulling winch in compliance with EN13157
- > static safety factor 4
- > two lifting speeds
- > right angled, easy to grease worm transmission and maintenance free bearings
- > load pressure brake with double ratchet system for safe stable hold of the load in any position
- > cable outlet upwards, downwards or at rear
- > adjustable crank, with ergonomic grip
- > suitable for wall and floor mounting
- > large rope capacity
- > simple and quick attachment
- > paint thickness is 60 - 80 micron in 1 layer and in compliance with DIN/ISO 12944, C1M - RAL 7035 (grey)
- > corrosion resistant



Options (code)

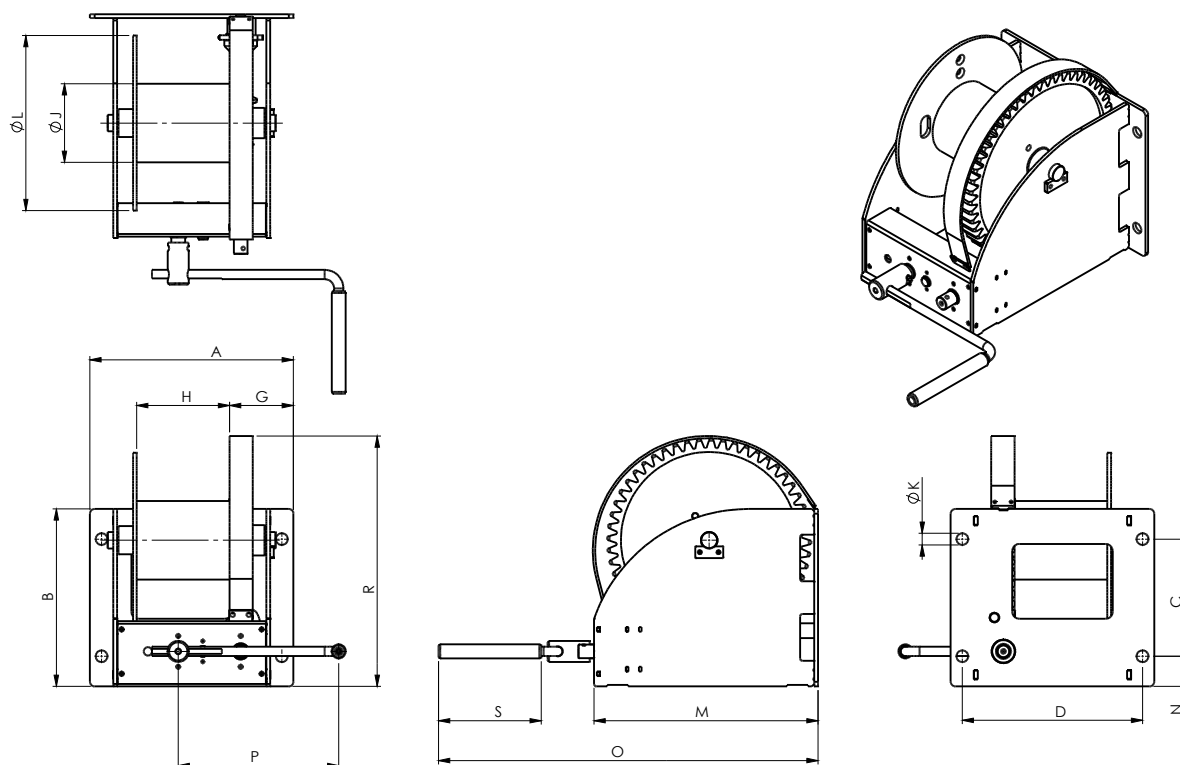
- zinc-plated finish 6 - 8 micron (EV)
- 2 layers of paint according to C3M (2L)
- grooved drum (GD)
- 2 drum compartment (2D) or multiple up to 8 (XD)
- suitable for floor mounting (FM)
- free-spooling device for pulling applications. To disengage the drum (FS)
- free-spooling device with additional friction brake for controlled cable unwinding (FSB)
- ATEX certified zone 2 and 22 (EX)
 - CE II 3G Ex IIC T4 Gc, -20°C<T amb <+70°C
 - CE II 3D Ex IIIC T135°C Dc, -20°C<T amb <+70°C
- custom options possible - [on request](#)

Accessories

- steel or stainless steel wire rope ([p. 55](#))
- pulley block ([p. 57](#))
- electric or airmotor as from WW1000 ([p. 59](#))

CE   [Product & instruction video on YouTube](#)

Technical specifications WW2000-7500



Dimensions (mm)	A	B	C	D	G	H	J	K	L	M	N	O	P	R	S
<u>WW2000</u>	410	310	196	360	137	177	133	25	312	372	57	705	380	434	220
<u>WW2500</u>	410	310	196	360	137	177	133	25	312	372	57	705	380	434	220
<u>WW3000</u>	436	380	251	386	137	203	168	25	375	480	65	813	380	536	220
<u>WW4000</u>	436	380	251	386	137	203	168	25	375	480	65	813	380	536	220
<u>WW5000</u>	436	467	316	386	137	200	219	25	437	515	75	847	380	618	220
<u>WW7500</u>	510	500	350	455	189	202	245	25	630	635	75	968	380	748	220

Technical specifications	Unit	<u>WW2000</u>	<u>WW2500</u>	<u>WW3000</u>	<u>WW4000</u>	<u>WW5000</u>	<u>WW7500</u>
Capacity 1st layer	kg	2000	2500	3000	4000	5000	7500
Capacity 4th layer	kg	1432	1748	2143	2755	3585	5249
Capacity top layer	kg	1038	1344	1667	2282	3276	3748
Rope diameter- ϕ	mm	12	12	14	16	18	22
Rope storage 1st layer	m	5,4	5,4	5,7	5,2	5,2	4,2
Rope storage 4th layer	m	30	30	32,5	30,8	31,5	27,9
Rope storage top layer	m	75,3	63,1	68,7	53	42,9	72,6
Lift per crank rotation	mm	12 (5)	12 (5)	11 (5)	11 (2)	13 (3)	11 (2)
Crank effort at full load	daN	27(15)	28(15)	31 (14)	30 (13)	73 (15)	78 (15)
Weight (without rope)	kg	60	60	78	80	117	190
Article number	no.	77276000	77276200	77277000	77278000	77279000	77279500