

Spur gear boxes

550 – 840 Nm

Description

The TK1000 and 1500 gearboxes are equipped with a load pressure brake; this brake holds the load. The units have an output shaft with a keyway. The TK1001 and 1501 cabinets have an input and output shaft with keyway and can be used where low speed is required. Most parts are made of steel with an electrolytic zinc coating.

Product specifications

- > robust and safe spur gear box
- > static safety factor 4
- > protection classification IP54
- > maintenance free bearings
- > TK1000-1500 with crank and load pressure brake
- > TK1001-1501 with input and output shaft
- > turning crank or input shaft clockwise will turn output shaft clockwise
- > zinc-plated finish 6 - 8 micron (EV)



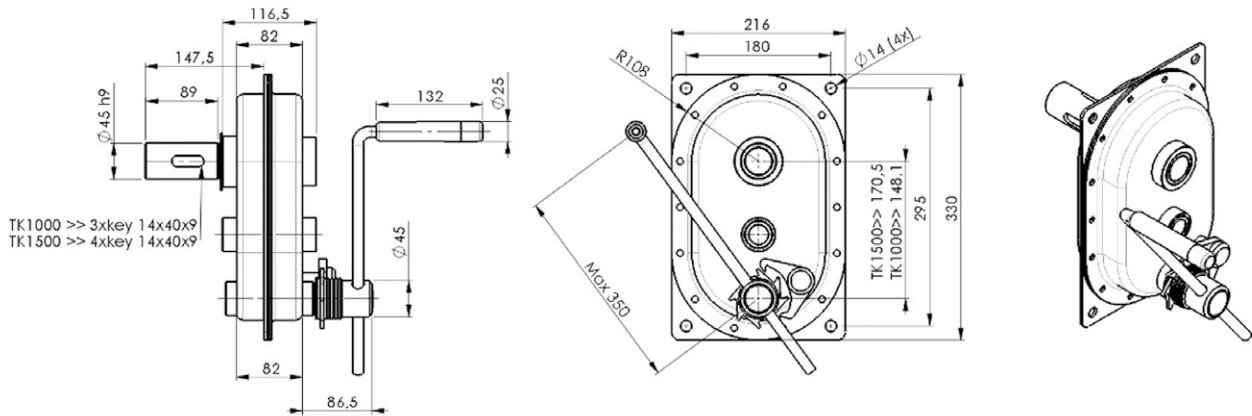
Options (code)

- ATEX certified zone 2 and 22 (EX)
 - CE II 3G Ex IIC T3 Gc, -20°C<T amb <+70°C
 - CE II 3D Ex IIIC T200°C Dc, -20°C<T amb <+70°C

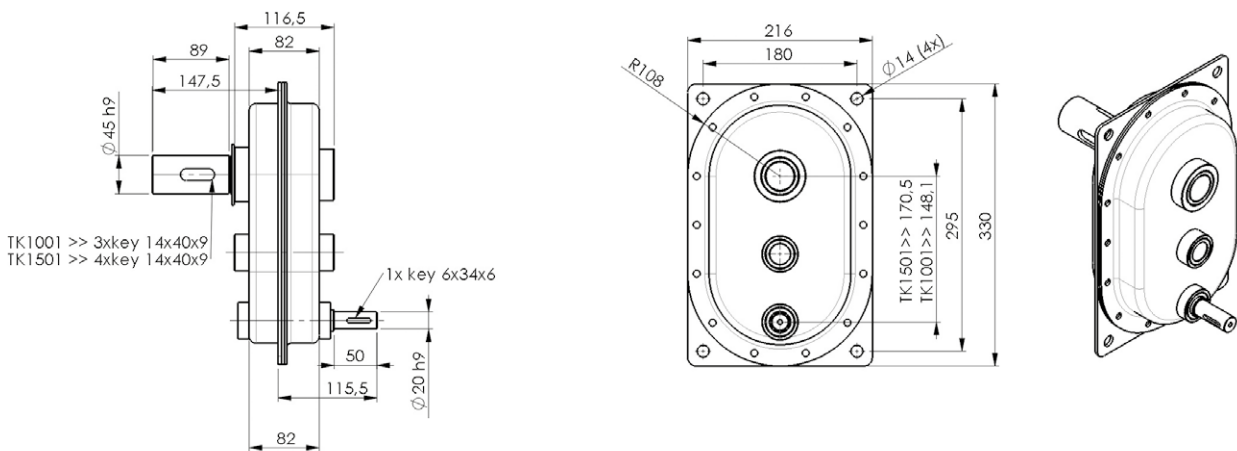


[Product & instruction video on YouTube](#)

Technical specifications TK1000-1500



Technical specifications TK1001-1501



Technical specifications	Unit	TK1000	TK1500	TK1001	TK1501
Max output torque	Nm	550	840	550	840
Crank effort at full load	daN	11	12	-	-
Max input torque	Nm	-	-	38	42
Max input speed	rpm	-	-	60	60
Transmission ratio		1:17	1:25	1:17	1:25
in- / output shaft diameter	mm	-45	-45	20/45	20/45
Own weight	kg	16,5	17	16	16,5
Article number	no.	77145905	77145920	77145915	77145925