

GEBUWIN KB PULLEY WITH BRACKET

CAPACITY RANGE FROM 150KG TO 7500KG

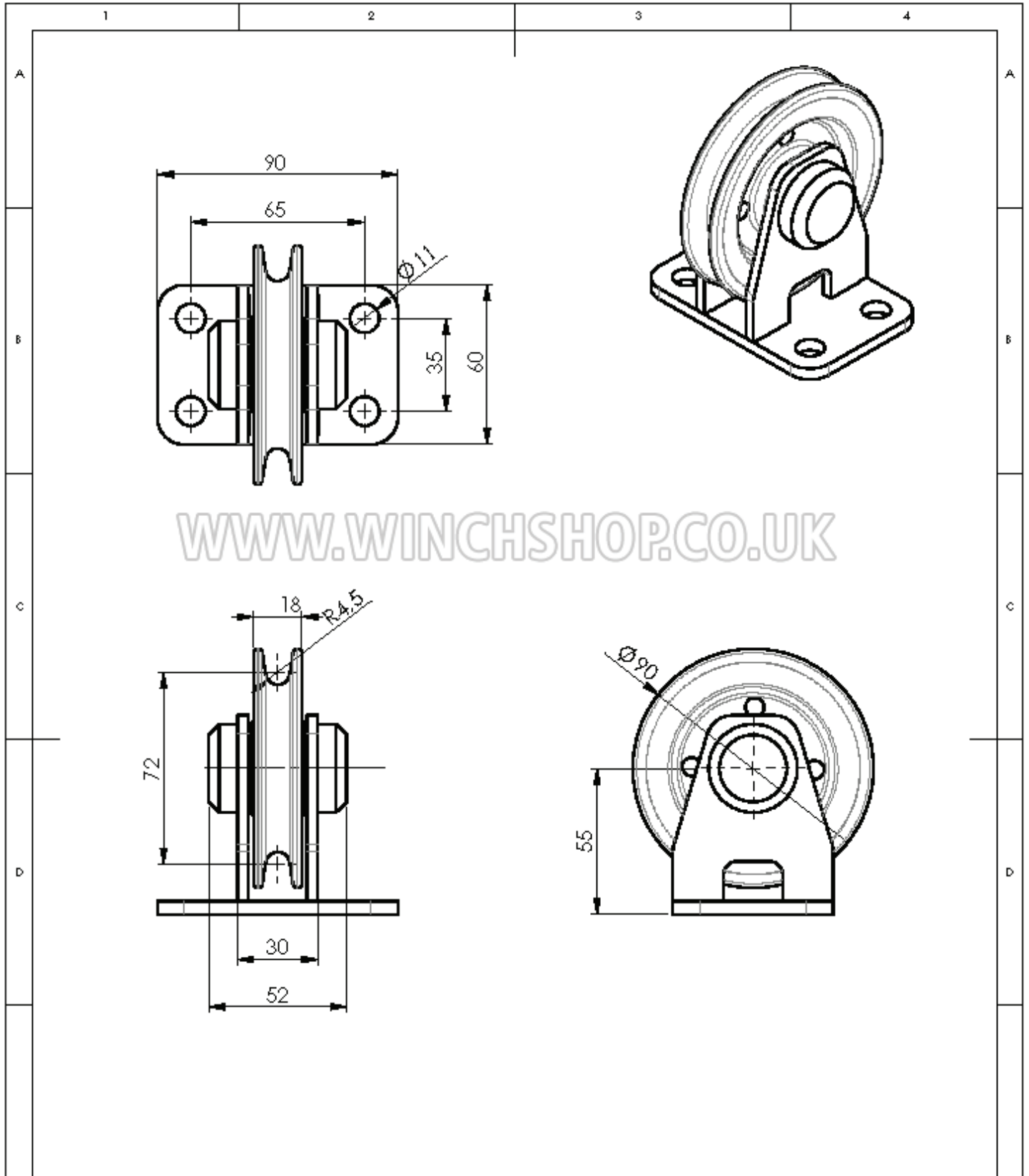


WWW.WINCHSHOP.CO.UK

- » Robust construction due to a cast iron cable pulley in a steel frame
- » Suitable only for hand winch applications
- » Cable pulleys are fitted with sliding bearings
- » The numbers in the product name correspond with the maximum load capacities
- » Standard paint finish in grey (RAL 7035) and black (RAL 9005) according to DIN 12944, C1M

Product Code	Model	Max Capacity (kg)	Max Diameter Cable (mm)	Diameter of Pulley Wheel (mm)	Width of Pulley Wheel (mm)	Bore (mm)	Own Weight (kg)
156-20-1	KB150	150	4	90	18	14.1	1
156-20-2	KB300	300	4	100	20	14.1	1
156-20-3	KB600	600	6	120	28	21.5	1.5
156-20-4	KB1500	1500	10	155	27	21.5	3
156-20-5	KB2000	2000	12	220	32	35.2	6.5
156-20-6	KB4000	4000	16	260	40	35.1	11.5
156-20-7	KB7500	7500	21	310	52	45.1	21

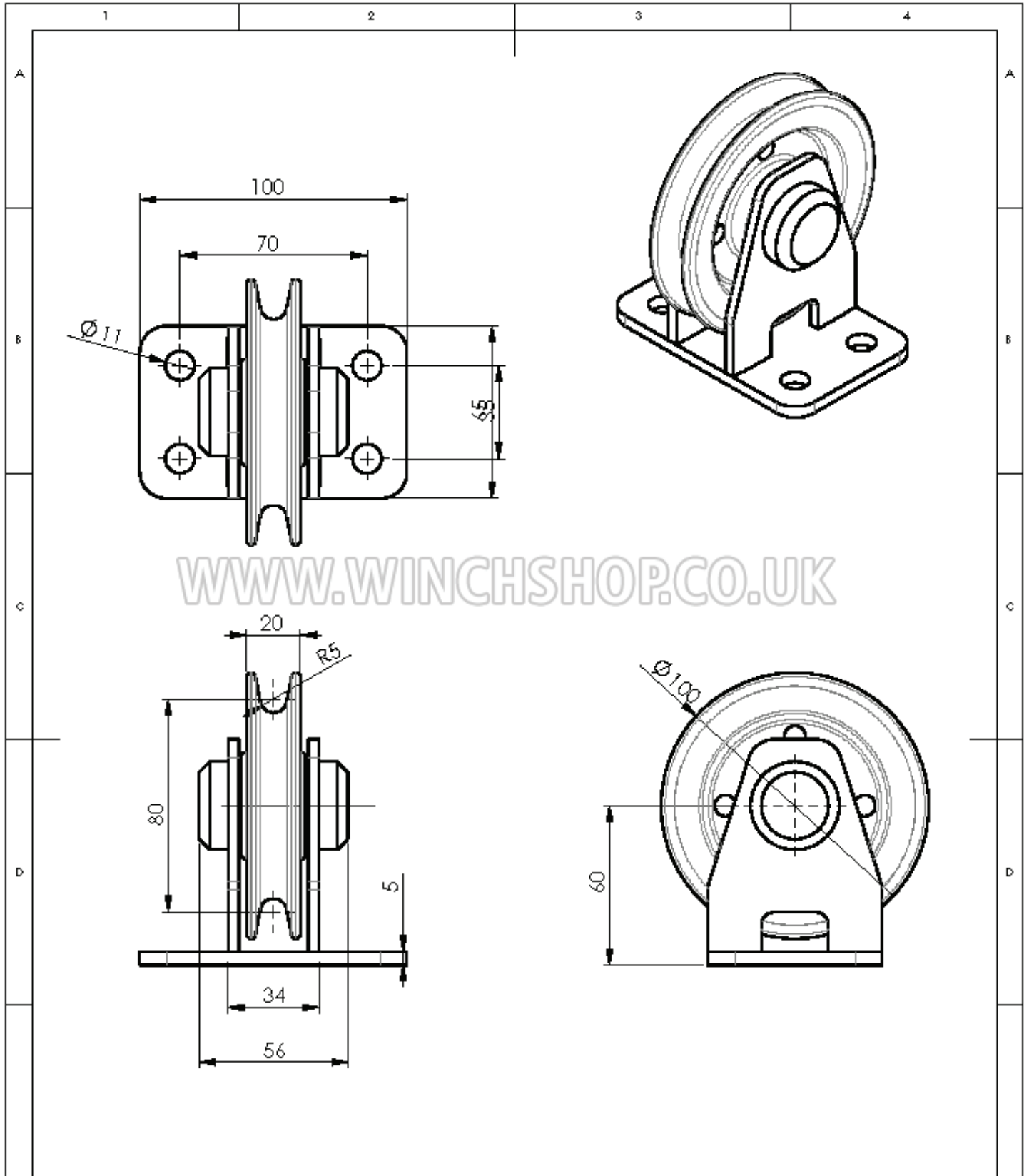
GEBUWIN KB PULLEY WITH BRACKET: KB150
PRODUCT CODE: 151-20-1
MAX CAPACITY: 150KG - WIRE ROPE DIAMETER 4MM



GEBUWIN KB PULLEY WITH BRACKET: KB300

PRODUCT CODE: 151-20-2

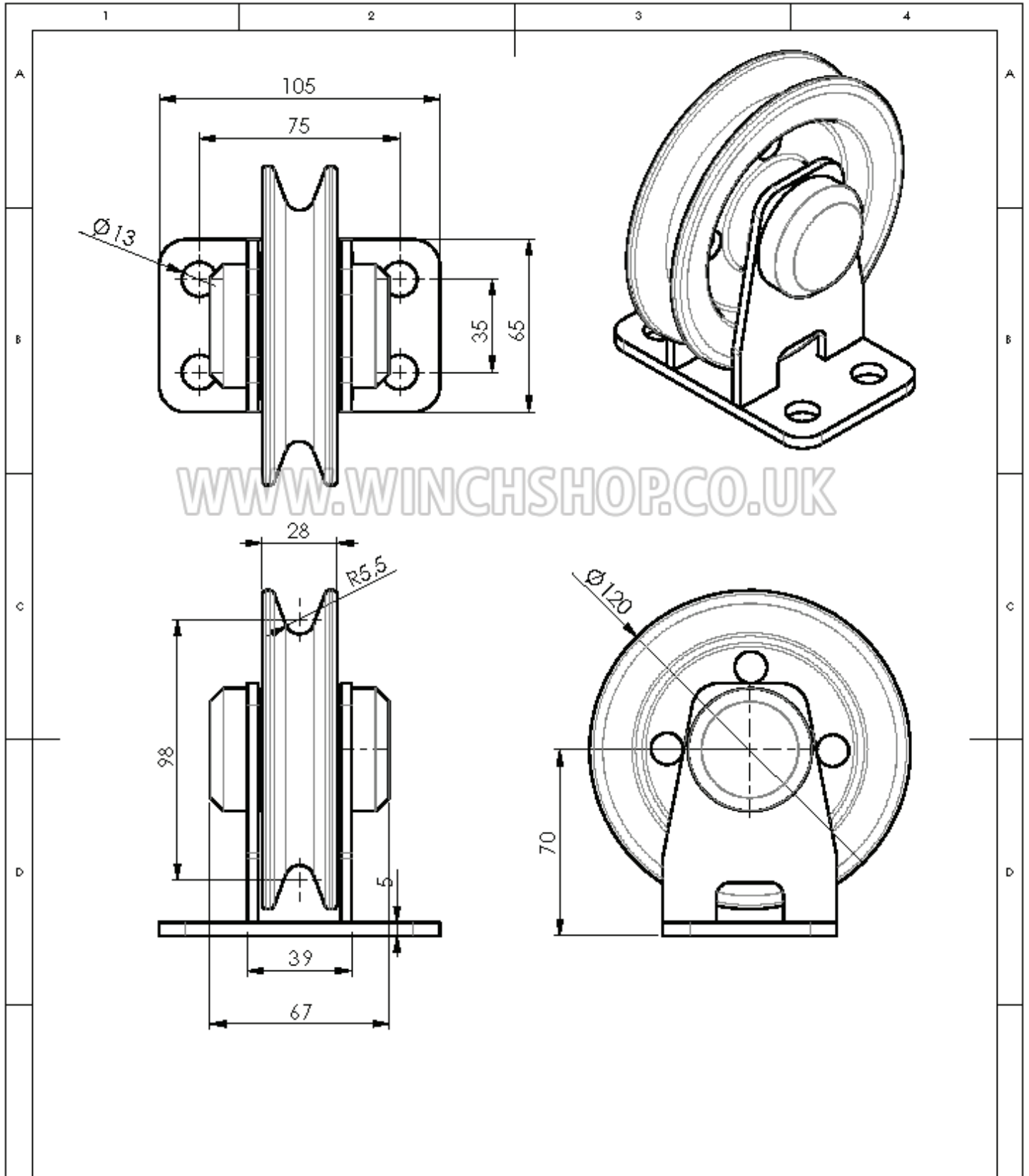
MAX CAPACITY: 300KG - WIRE ROPE DIAMETER 4MM



GEBUWIN KB PULLEY WITH BRACKET: KB600

PRODUCT CODE: 151-20-3

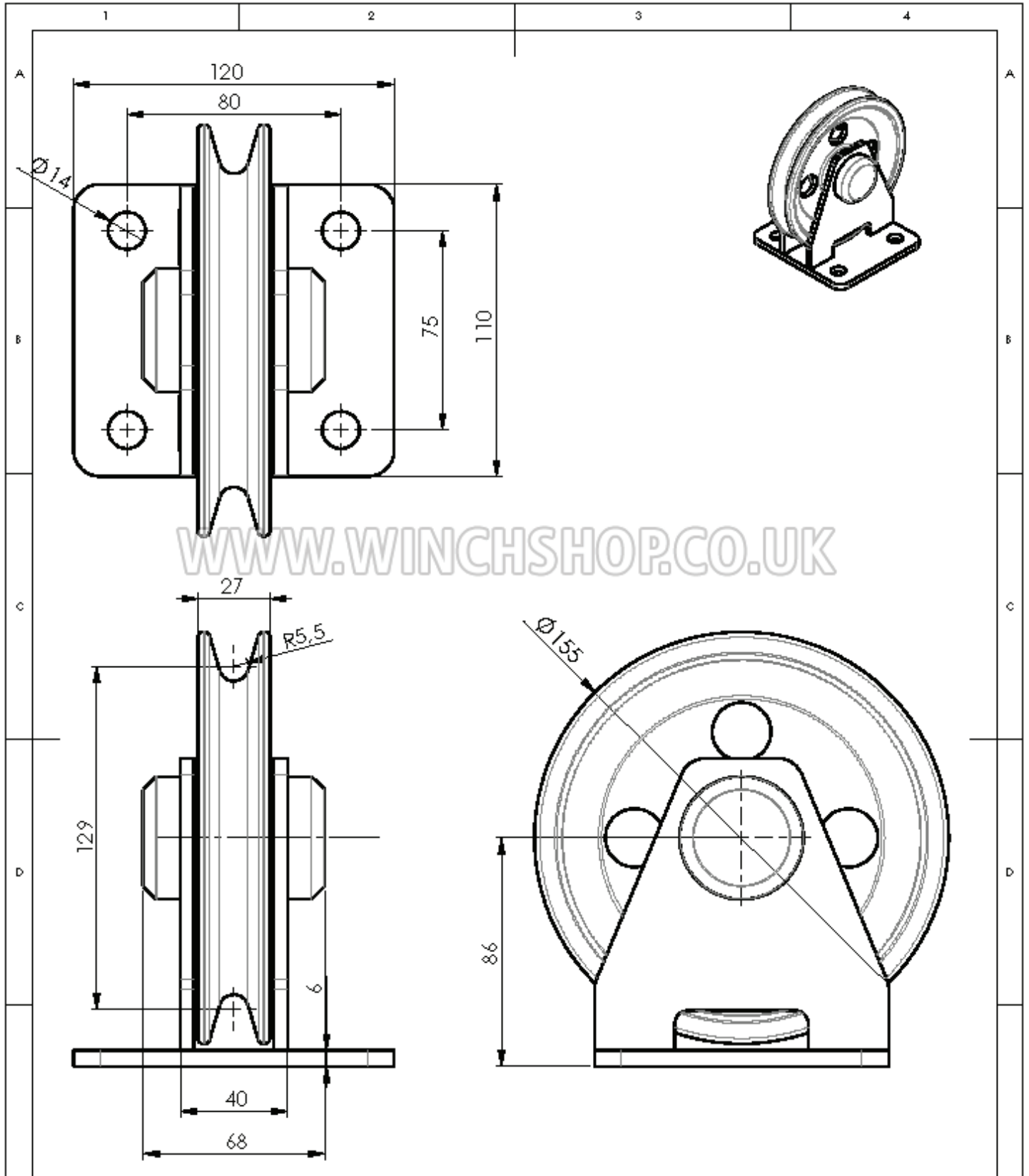
MAX CAPACITY: 600KG - WIRE ROPE DIAMETER 6MM



GEBUWIN KB PULLEY WITH BRACKET: KB1500

PRODUCT CODE: 151-20-4

MAX CAPACITY: 1500KG - WIRE ROPE DIAMETER 10MM

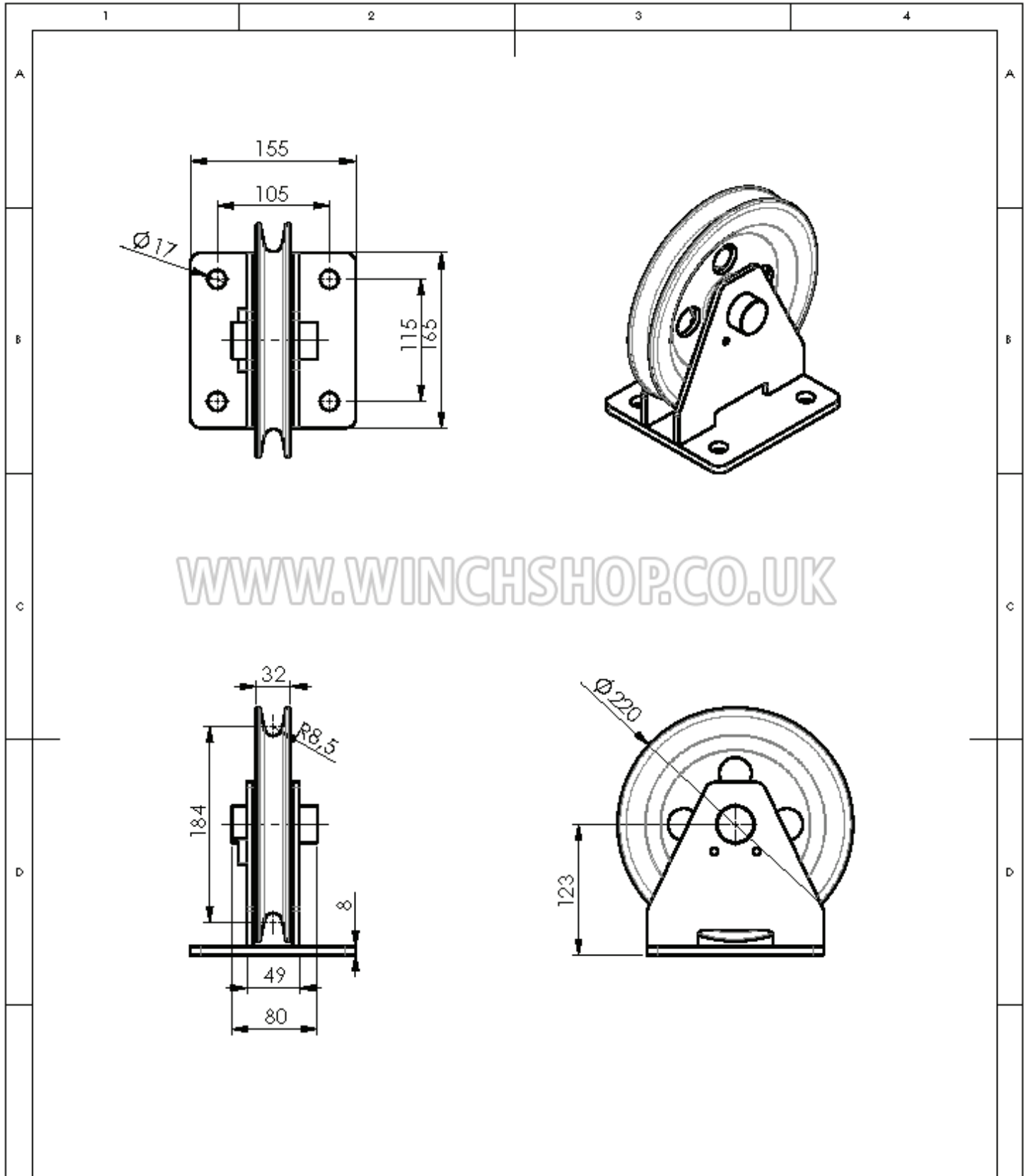


WWW.WINCHSHOP.CO.UK

GEBUWIN KB PULLEY WITH BRACKET: KB2000

PRODUCT CODE: 151-20-5

MAX CAPACITY: 2000KG - WIRE ROPE DIAMETER 12MM

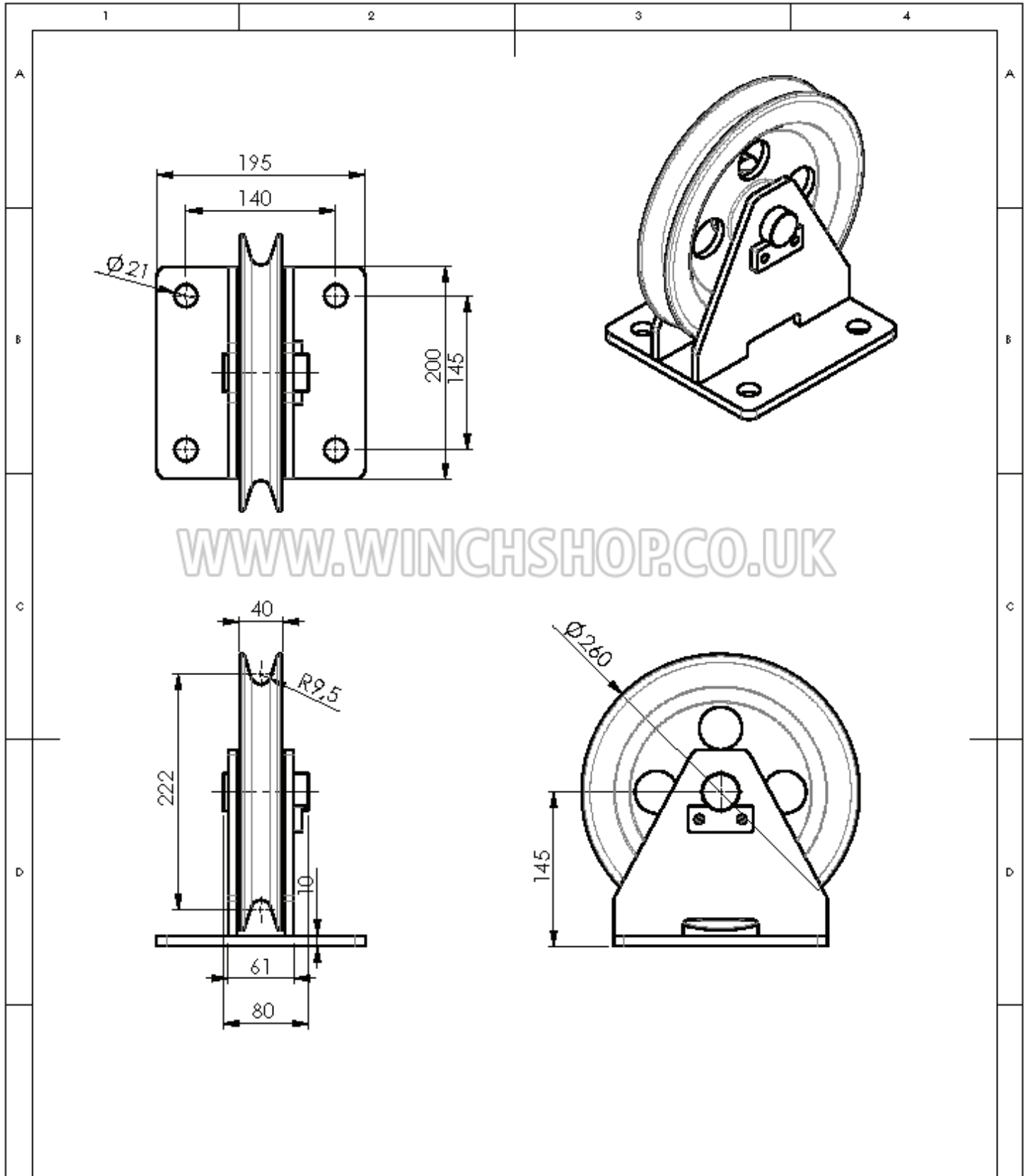


WWW.WINCHSHOP.CO.UK

GEBUWIN KB PULLEY WITH BRACKET: KB4000

PRODUCT CODE: 151-20-6

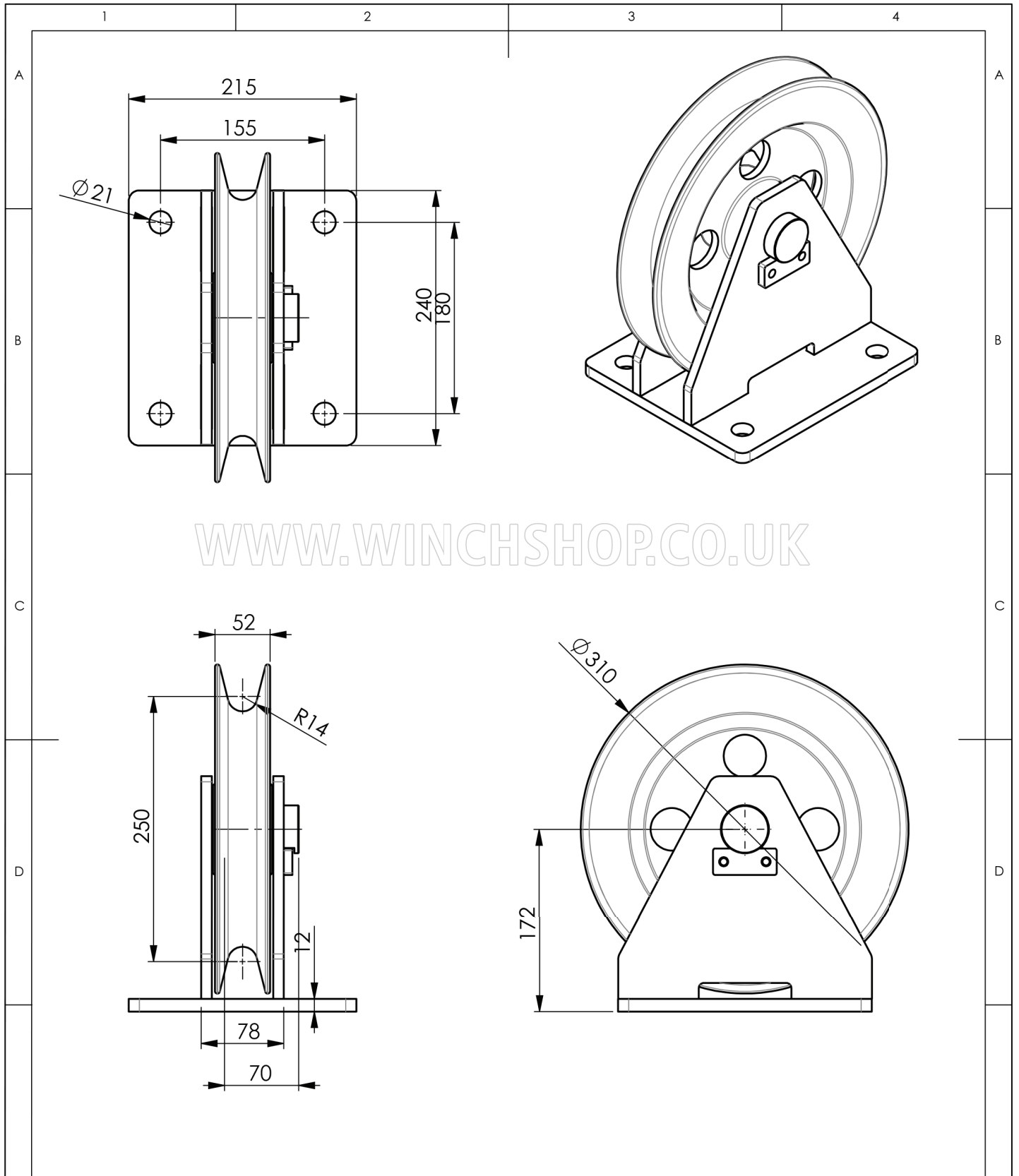
MAX CAPACITY: 4000KG - WIRE ROPE DIAMETER 16MM



GEBUWIN KB PULLEY WITH BRACKET: KB7500

PRODUCT CODE: 151-20-7

MAX CAPACITY: 7500KG - WIRE ROPE DIAMETER 21MM



WWW.WINCHSHOP.CO.UK