

EW125-250-500-990-1000-2000 ../..

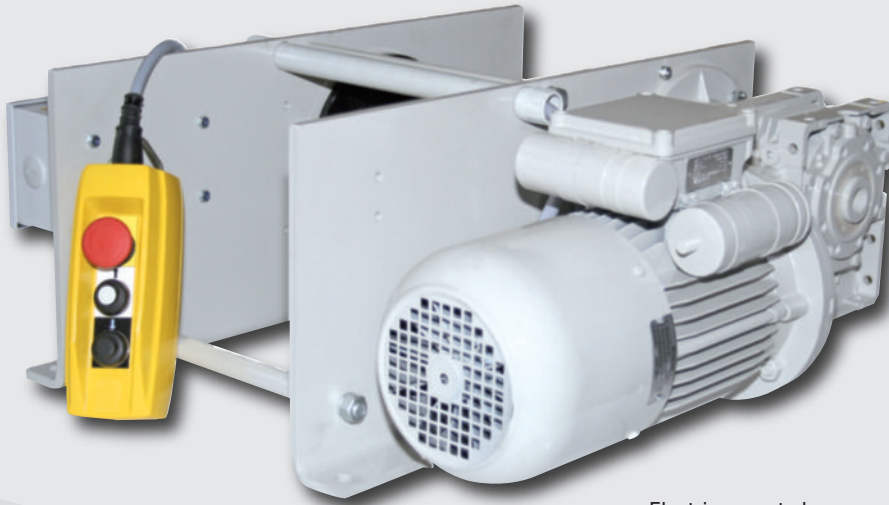
**WINCH  
SHOP**

www.winchshop.co.uk  
sales@winchshop.co.uk



**orplex**

www.orplexltd.co.uk  
sales@orplexltd.co.uk



# Electric worm gear winch

230V-50Hz



Electric operated worm gear winch 230V-50Hz:

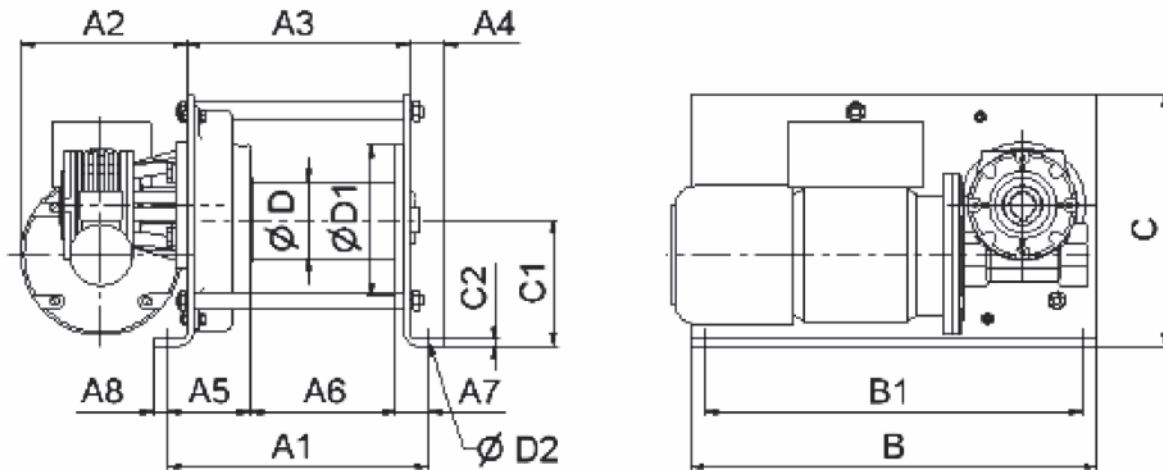
- robust and safe winch
- serial model as pulling winch
- maintenance-free ball bearing
- enclosure IP54, insulation class B
- standard overload protection from 1000 kg - 2000 kg
- pendant control switch with 1 m control cable
- operation mode S3 - 40% - 120 c/h
- as option:
  - available as hoisting winch (limitswitch and low voltage control required)
  - increase of cable storage by 10 m
  - grooved drum
  - 2 cable compartments
  - disengaging clutch (not for 125 kg model)
  - wall mounted control switch
  - operational limit switch for external installation
  - electric overload protection for 125 kg - 990 kg
  - low voltage 42V control
  - double speed (), only possible for 125, 250 and 500 kg
  - radio control
  - frequency control
  - ATEX certified  $\text{Ex}$  II 3 GD T4, suitable for zone 2 and 22

**G E B U W I N**  
metal products

Industrieweg 6 7102 DZ Winterswijk The Netherlands  
T +31 (0)543 532600 F +31 (0)543 532601  
info@gebuwin.com www.gebuwin.com



# Technical specifications 230V-50Hz EW125-250-500-990-1000-2000 ../..



Type	Mounting	Material finish	Remarks
EW125 D / 230V	Ground, 4x M8 class 4.6	Painted finish	RAL 7035 (grey)
EW250 D / 230V	Ground, 4x M10 class 4.6	Painted finish	RAL 7035 (grey)
EW500 D / 230V	Ground, 4x M10 class 4.6	Painted finish	RAL 7035 (grey)
EW990 D / 230V	Ground, 4x M12 class 4.6	Painted finish	RAL 7035 (grey)
EW1000 D / 230V	Ground, 4x M12 class 4.6	Painted finish	RAL 7035 (grey)
EW2000 D / 230V	Ground, 4x M16 class 4.6	Painted finish	RAL 7035 (grey)

Dimensions (mm)	A1	A2	A3	A4	A5	A6	A7	A8	B	B1	C	C1	C2	D	D1	D2
EW125	205	195	171	30	43	135	27	13	405	375	215	140	4	60	130	9
EW250	260	195	222	34	78	150	32	15	405	375	250	125	6	60	150	11
EW500	260	195	222	34	82	145	33	15	405	375	250	125	6	76	150	11
EW990	345	240	289	45	99	198	48	17	575	535	270	155	10	108	180	13
EW1000	345	240	289	45	99	198	48	17	575	535	270	155	10	108	180	13
EW2000	440	240	358	61	173	200	67	20	600	550	385	171	15	146	245	17

Technical specifications	EW125	EW250	EW500	EW990	EW1000	EW2000
Capacity:						
1 <sup>st</sup> cable layer	kg	125	250	500	990	1000
Last cable layer	kg	90	180	340	780	1560
Cable speed 1 <sup>st</sup> layer	m/min	7,8 (15)	5 (10)	2,5 (5)	4,5	4,5
Diameter cable	mm	4	4	6	8	8
Max. cable storage	m	32	35	30	30	30
Min. breaking load cable	kN	5	9	18	36	36
Motor output	kW	0,37 (0,75)	0,37 (0,75)	0,37 (0,75)	1,3	1,3
Current	A	4 (5,2)	4 (5,2)	4 (5,2)	9,1	9,1
Own weight	kg	27	37	40	88	88

( ) = version with double cable speed

subject to changes