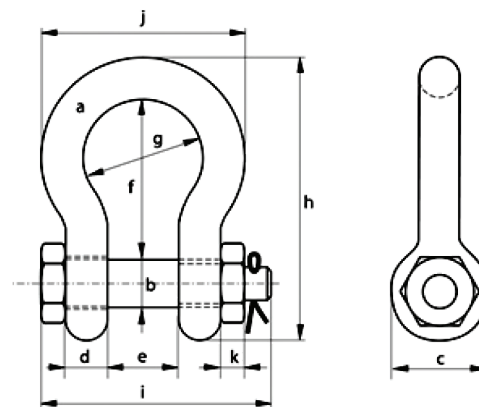
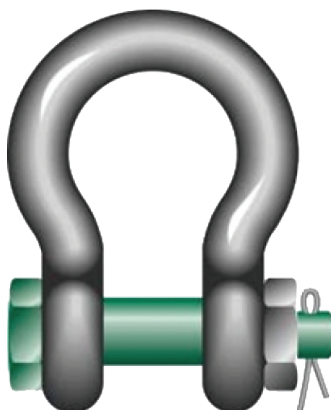


# GREEN PIN STANDARD BOW SHACKLES WITH SAFETY NUT AND BOLT PIN



- Grade 6 high tensile steel, quenched and tempered.
- Minimum breaking load is 6 times the W.L.L.
- Conforms to EN 13889 and meets the performance requirements of US Fed Spec RC-C-271 Type IVA class 2, Grade A. Hot dipped galvanised.
- Temperature range -20 ° C upto +200 ° C.
- Supplied with proof load certificate, material certificate available on request.
- DNV Type Approved product (see product support for the latest certificate).



Code	W.L.L	a	b	c	d	e	f	g	h	i	j	k	Weight
	(tonnes)	(mm)	(mm)	(mm)	(mm)	(mm)	(mm)	(mm)	(mm)	(mm)	(mm)	(mm)	(kgs)
269.4.1	0.5	7	8	17	7	12	29	20	54	43	37	4	0.06
269.4.2	0.75	9	10	21	9	13.5	32	22	61	51	42	5	0.11
269.4.3	1	10	11	23	10	17	36.5	26	71	61	49	8	0.16
269.4.4	1.5	11	13	26	11	19	43	29	80	68	54	11	0.22
269.4.5	2	13.5	16	34	13.5	22	51	32	91	83	63	13	0.42
269.4.6	3.25	16	19	40	16	27	64	43	114	99	79	17	0.74
269.4.7	4.75	19	22	47	19	31	76	51	136	115	94	20	1.18
269.4.8	6.5	22	25	53	22	36	83	58	157	131	107	23	1.77
269.4.9	8.5	25	28	60	25	43	95	68	176	151	124	25	2.58
269.4.10	9.5	28	32	67	28	47	108	75	197	167	137	28	3.66
269.4.11	12	32	35	74	32	51	115	83	218	179	154	31	4.91
269.4.12	13.5	35	38	80	35	57	133	92	240	198	170	34	6.54
269.4.13	17	38	42	89	38	60	146	99	262	202	183	19	8.19
269.4.14	25	45	50	104	45	74	178	126	314	244	226	24	14.22
269.4.15	35	50	57	111	50	83	197	138	358	270	250	27	19.85
269.4.16	42.5	57	65	134	57	95	222	160	414	302	287	30	28.33
269.4.17	55	65	70	145	65	105	260	180	463	330	329	33	39.59
269.4.18	85	75	83	163	75	127	329	190	556	376	355	40	62



[www.rigginguk.co.uk](http://www.rigginguk.co.uk)



[www.hoistshop.co.uk](http://www.hoistshop.co.uk)



[www.winchshop.co.uk](http://www.winchshop.co.uk)

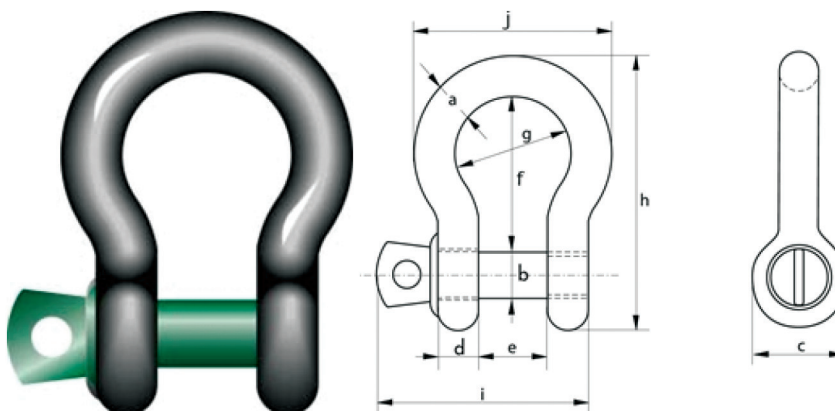


[www.cabledrumjacks.co.uk](http://www.cabledrumjacks.co.uk)

# GREEN PIN STANDARD BOW SHACKLES WITH SCREW COLLAR PIN



- Grade 6 high tensile steel, quenched and tempered.
- Minimum breaking load is 6 times the W.L.L.
- Conforms to EN 13889 and meets the performance requirements of US Fed Spec RC-C-271 Type IVA class 2, Grade A.
- Hot dipped galvanised.
- Temperature range -20 ° C upto +200 ° C.
- Supplied with proof load certificate, material certificate available on request.
- DNV Type Approved product (see product support for the latest certificate).



Code	W.L.L	a	b	c	d	e	f	g	h	i	j	Weight
	tonnes	(mm)	(mm)	(mm)	(mm)	(mm)	(mm)	(mm)	(mm)	(mm)	(mm)	kgs
269.2.1	0.33	5	6	12.5	5	9.5	22	16	41	31	28	0.02
269.2.2	0.5	7	8	17	7	12	29	20	54	40	37	0.05
269.2.3	0.75	9	10	21	9	13.5	32	22	61	49	42	0.1
269.2.4	1	10	11	23	10	17	36.5	26	71	56	49	0.14
269.2.5	1.5	11	13	26	11	19	43	29	80	68	54	0.19
269.2.6	2	13.5	16	34	13.5	22	51	32	91	76	63	0.36
269.2.7	3.25	16	19	40	16	27	64	43	114	93	79	0.63
269.2.8	4.75	19	22	47	19	31	76	51	136	107	94	1.01
269.2.9	6.5	22	25	53	22	36	83	58	157	123	107	1.5
269.2.10	8.5	25	28	60	25	43	95	68	176	141	124	2.21
269.2.11	9.5	28	32	67	28	47	108	75	197	158	137	3.16
269.2.12	12	32	35	74	32	51	115	83	218	176	154	4.31
269.2.13	13.5	35	38	80	35	57	133	92	240	192	170	5.55
269.2.14	17	38	42	89	38	60	146	99	262	208	183	7.43
269.2.15	25	45	50	104	45	74	178	126	314	250	226	12.84
269.2.16	35	50	57	111	50	83	197	138	358	281	250	18.15
269.2.17	55	65	70	145	65	105	260	180	463	355	329	37.6



[www.rigginguk.co.uk](http://www.rigginguk.co.uk)



[www.hoistshop.co.uk](http://www.hoistshop.co.uk)



[www.winchshop.co.uk](http://www.winchshop.co.uk)

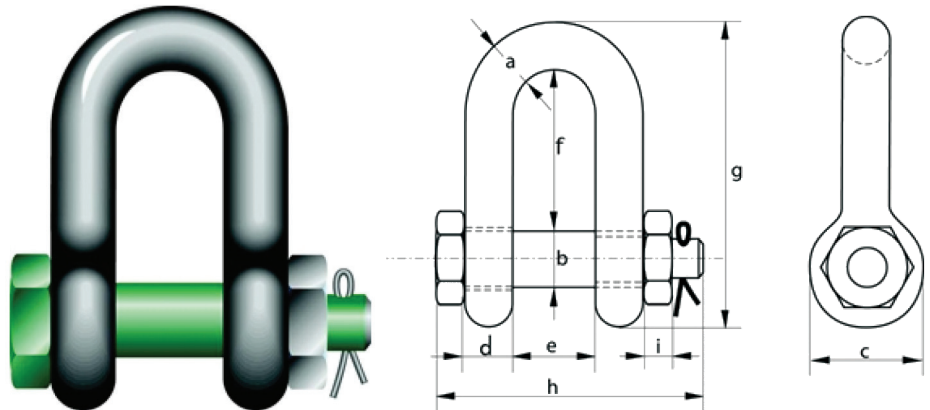


[www.cabledrumjacks.co.uk](http://www.cabledrumjacks.co.uk)

# GREEN PIN STANDARD DEE SHACKLES WITH SAFETY NUT AND BOLT PIN



- Grade 6 high tensile steel, quenched and tempered.
- Minimum breaking load is 6 times the W.L.L.
- Conforms to EN 13889 and meets the performance requirements of US Fed Spec RC-C-271 Type IVA class 2, Grade A.
- Hot dipped galvanised.
- Temperature range -20°C upto +200°C.
- Supplied with proof load certificate, material certificate available on request.
- DNV Type Approved product (see product support for the latest certificate).



Code	W.L.L	a	b	c	d	e	f	g	h	i	Weight
	(tonnes)	(mm)	(mm)	(mm)	(mm)	(mm)	(mm)	(mm)	(mm)	(mm)	(kgs)
269.5.1	2	13.5	16	34	13.5	22	43	85	83	13	0.39
269.5.2	3.25	16	19	40	16	27	51	105	99	17	0.67
269.5.3	4.75	19	22	47	19	31	59	125	115	20	1.08
269.5.4	6.5	22	25	53	22	36	73	144	131	23	1.66
269.5.5	8.5	25	28	60	25	43	85	161	151	25	2.46
269.5.6	9.5	28	32	67	28	47	90	179	167	28	3.4
269.5.7	12	32	35	74	32	51	94	199	179	31	4.51
269.5.8	13.5	35	38	80	35	57	115	220	198	34	6.1
269.5.9	17	38	42	89	38	60	127	239	202	19	7.63
269.5.10	25	45	50	104	45	74	149	283	244	24	13.25
269.5.11	35	50	57	111	50	83	171	333	270	27	18.53
269.5.15	42.5	57	65	134	57	95	190	360	302	30	25.94
269.5.12	55	65	70	145	65	105	203	399	330	33	35.33
269.5.13	85	75	83	163	75	127	229	455	376	40	52.97



[www.rigginguk.co.uk](http://www.rigginguk.co.uk)



[www.hoistshop.co.uk](http://www.hoistshop.co.uk)



[www.winchshop.co.uk](http://www.winchshop.co.uk)

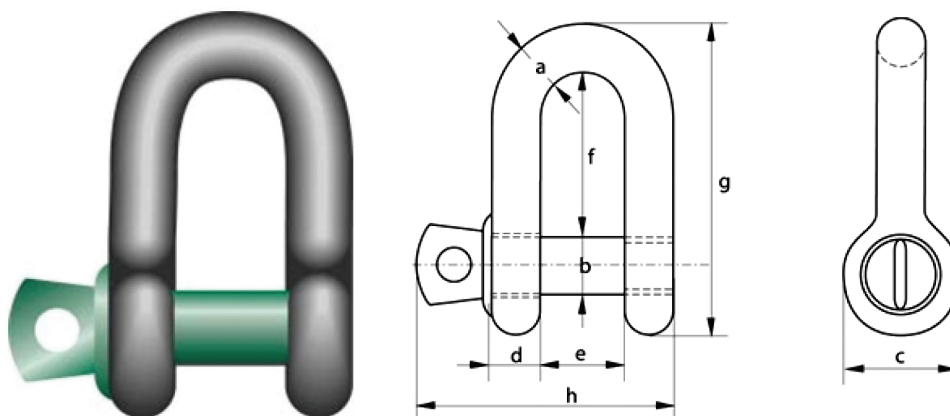


[www.cabledrumjacks.co.uk](http://www.cabledrumjacks.co.uk)

# GREEN PIN STANDARD DEE SHACKLES WITH SCREW COLLAR PIN



- Grade 6 high tensile steel, quenched and tempered.
- Minimum breaking load is 6 times the W.L.L.
- Conforms to EN 13889 and meets the performance requirements of US Fed Spec RC-C-271 Type IVA class 2, Grade A.
- Hot dipped galvanised.
- Temperature range -20 ° C upto +200 ° C.
- Supplied with proof load certificate, material certificate available on request.
- DNV Type Approved product (see product support for the latest certificate).



Code	W.L.L	a	b	c	d	e	f	g	h	Weight
	tonnes	(mm)	(mm)	(mm)	(mm)	(mm)	(mm)	(mm)	(mm)	kgs
269.3.1	0.33	5	6	12.5	5	9.5	19	38	31	0.02
269.3.2	0.5	7	8	17	7	12	22	47	40	0.05
269.3.3	0.75	9	10	21	9	13.5	26	56	49	0.09
269.3.4	1	10	11	23	10	17	32	66	56	0.14
269.3.5	1.5	11	13	26	11	19	37	74	68	0.19
269.3.6	2	13.5	16	34	13.5	22	43	85	76	0.32
269.3.7	3.25	16	19	40	16	27	51	105	93	0.54
269.3.8	4.75	19	22	47	19	31	59	125	107	0.87
269.3.9	6.5	22	25	53	22	36	73	144	123	1.34
269.3.10	8.5	25	28	60	25	43	85	161	141	2.08
269.3.11	9.5	28	32	67	28	47	90	179	158	2.77
269.3.12	12	32	35	74	32	51	94	199	176	3.72
269.3.13	13.5	35	38	80	35	57	115	220	192	5.14
269.3.14	17	38	42	89	38	60	127	239	208	6.85
269.3.15	25	45	50	104	45	74	149	283	250	11.45
269.3.16	35	50	57	111	50	83	171	333	281	16.86
269.3.17	55	65	70	145	65	105	203	399	355	32.65



[www.rigginguk.co.uk](http://www.rigginguk.co.uk)



[www.hoistshop.co.uk](http://www.hoistshop.co.uk)



[www.winchshop.co.uk](http://www.winchshop.co.uk)



[www.cabledrumjacks.co.uk](http://www.cabledrumjacks.co.uk)