

GO-AFD, AFID and AFDPS GOLIATH ZINC PLATED WINCH

Quick Ref: 151.1



Lifting capacity 190 kg - 1994 kg

- General purpose braked winch for base or column mounting
- Large rope capacity
- Corrosion resistant zinc plated with fully enclosed gears and brake encased in plastic cover
- Self locking internal brake with proven security concept
- Lightweight and compact
- Stamped gears with gear protection
- Folding crank
- supplied for webbing or wire rope
- **Stainless Steel version available material 316L**

FEATURES OF THIS WINCH AT A GLANCE

	Lifting capacity	190 - 1180kg
	Mounting	Base or column
	Gearing	Spur
	Crank	Fixed
	Self Sustaining	Yes
	Finish	Plated or Stainless Steel



WIRE ROPE WINCHES - PLATED FINISH

Product code		GO-4AFMD 151.1.1	GO-4AFD 151.1.2	GO-6AFD 151.1.3	GO-8AFD 151.1.4	GO-12AFD 151.1.5	GO-20AFD 151.1.6
Lifting capacity 1st layer	(kg)	190	340	500	650	900	1180
Lifting capacity last layer	(kg)	80	190	240	270	490	650
Rope diameter	(mm)	3	4	5	6	7	8
Rope capacity 1st layer	(m)	0.57	1.94	1.73	1.7	1.76	2.0
Rope capacity total	(m)	8	10	12	19	12	10
Drum diameter	(mm)	27	40	45	54	63	76
Number of rope layers		8	4	5	7	5	4
Gear ratio		2.57:1	2.57:1	3.5:1	4.85:1	9.71:1	9.71:1
Lift per crank turn (1st layer)	(mm)	37	54	45	39	23	25
Required effort	(kg)	15	24	24	23	25	19
Rolling load capacity on a 30% incline	(kg)	350	500	750	850	1500	2500
Weight	(kg)	2.2	2.7	3.7	5.5	7.4	7.8

WEBBING WINCHES - PLATED FINISH

Product code		GO-4 AFDPS 151.3.1	GO-6 AFDPS 51.3.2	GO-8 AFDPS 151.3.3	GO-12 AFDPS 151.3.4
Lifting capacity - 1st layer	(kg)	340	500	650	800
Lifting capacity - last layer (kg)	(kg)	120	200	250	300
Webbing size	(mm)	50	50	50	50
Drum capacity	(m)	4.6	6	8	8

WIRE ROPE WINCHES - STAINLESS STEEL

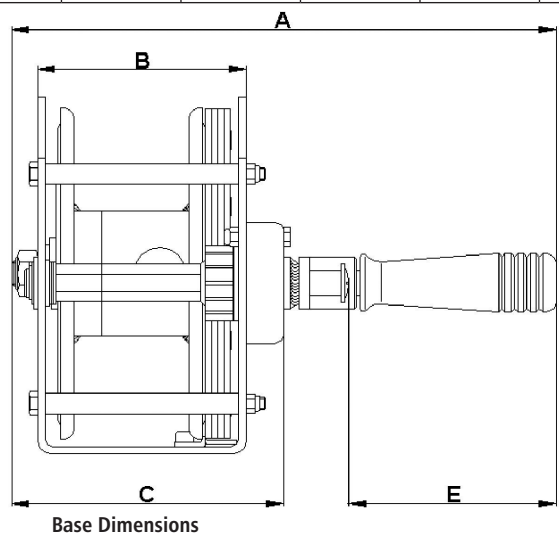
Product code		GO-4AFMD 151.5.1	GO-4AFID 151.5.2	GO-6AFID 151.5.3	GO-8AFID 151.5.4	GO-12AFID 151.5.5
Drum diameter	(mm)	27	36	45	54	63
Weight	(kg)	2.2	2.8	4.4	5.2	7.6



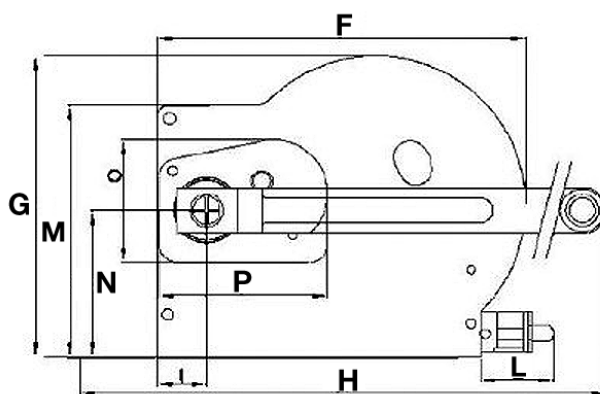
orplex GROUP LTD

DIMENSIONS (mm)

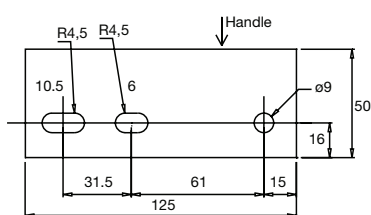
Product code	GO-4AFM	GO-4AF	GO-4AFI	GO-6AF	GO-6AFI	GO-8AF	GO-8AFI	GO-12AF	GO-12AFI	GO-12AFL	GO-20AF
A	211	250	245	265	265	265	270	294	294	294	294
B	50	90.5	88.5	99	99	100	100	119.5	119.5	119.5	119.5
C	78	117	117	132	132	132	130	155	155	155	155
E	100	100	96	100	100	100	100	100	100	100	100
F	126	128	128	161	165	200	200	214	214	214	214
G	96	96	96	128	130	167	167	170	170	170	170
H	195	197	202	240	232	290	290	295	295	295	330
I	27	27	27	27	27	27	27	28	28	28	28
L	-	-	-	-	-	-	-	-	-	40	-
M	80	80	80	117	117	140	140	140	140	140	140
N	31	31	31	58	58	81	81	81	81	81	81
O	68	68	58	68	58	68	58	68	68	68	68
P	92	92	92	92	92	92	92	92	92	92	92



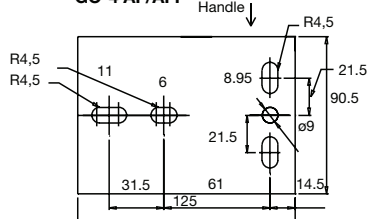
Base Dimensions



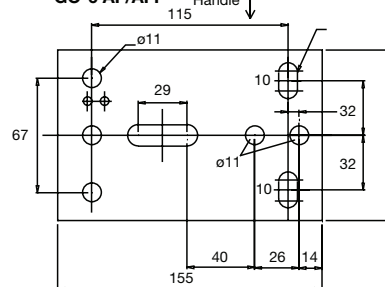
GO-4 AFM



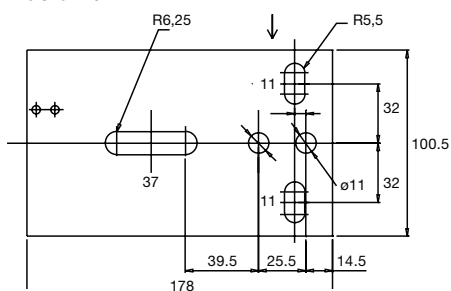
GO-4 AF/AFI



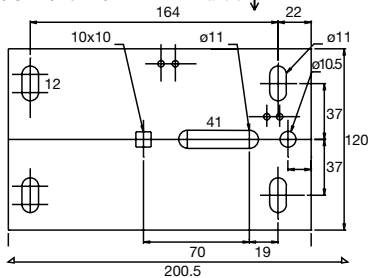
GO-6 AF/AFI



GO-8 AF/AFI



GO-12/20 AF/AFI



GO-30 AF

