

SupaScoota
Motorized vehicle
Shopper (STD-02)



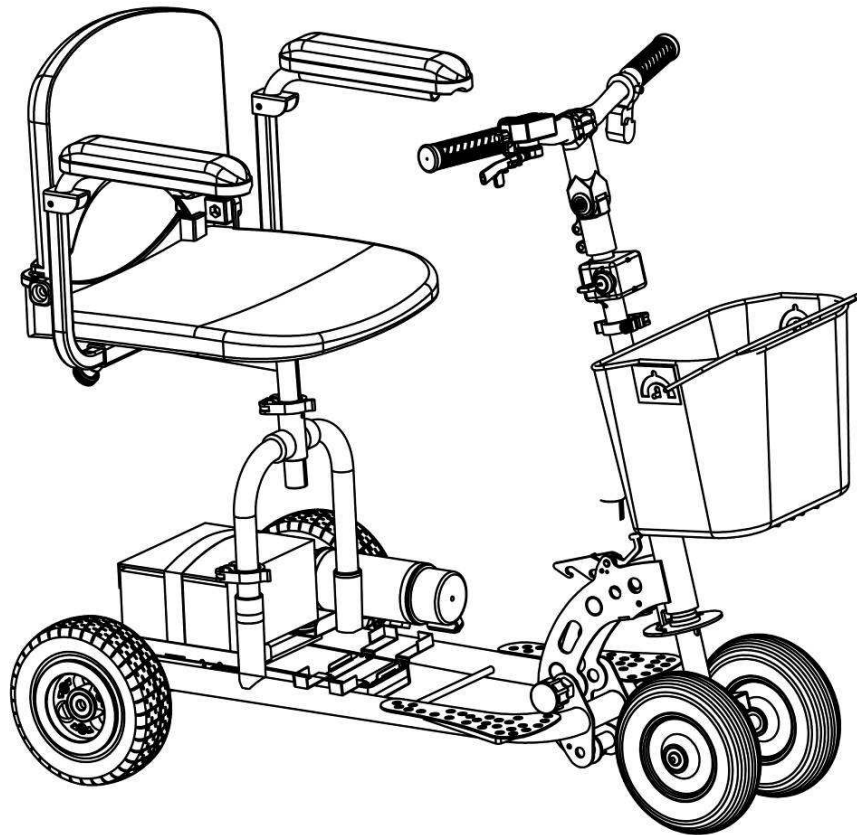
MDSS GmbH
Schiffgraben 41
30175 Hannover, Germany

SupaScoota

Distributor:

SUPASCOOTA USA

www.supascootaUSA.com



User Manual

You must read this manual before using your SupaScoota

P/N: 903441STD02 Rev. 04/15

Table of contents

Contents	Pages
Intended use- - - - -	-2
Recognize Safety Symbols, Words and Labels - - - - -	-3
Safety Instructions - - - - -	-4
Electromagnetic Interference - - - - -	-8
Assembling the Seat - - - - -	11
To Open the SupaScoota - - - - -	-12
Anti-Tip wheel- - - - -	-16
Drive Wheel Release Mechanism- - - - -	17
Lights and Switches - - - - -	-18
Auto. Switch Off / Electronic System - - - - -	19
Electronic Stability Control (ESC)- - - - -	20
Front Wheel Removal (Optional) - - - - -	-21
Precaution - - - - -	22
Folding the SupaScoota- - - - -	-23
Battery and Charging- - - - -	26
Battery Charger (SLA battery) - - - - -	27
Battery Care & Maintenance - - - - -	28
Specifications - - - - -	29
SupaScoota Warranty - - - - -	30

Manufacturer: EUROGREEN INTERNATIONAL INC.
No.48, Ln.220, Sec.1, Fuzun Rd, Yuanlin Township,
Changhua County, 51055, TAIWAN

SAVE THIS MANUAL FOR FUTURE REFERENCE.

INTENDED USE

- Intended use of device

As a motorized portable electric vehicle for indoor or outside use by persons with medical conditions requiring assistance.

- Device description

A battery operated lightweight portable mobility device designed for personal travel indoors and limited outdoor use and available in 3 or 4 wheel configurations.

It is used in a sitting position and operated by a hand controlled throttle located on the handle bars. Braking is automatically controlled when releasing the throttle by the electronic controller and magnetic motor brake.

The product is supplied ready to use with a battery and charger and it can be disassembled and folded for transport.

- Technological characteristics

Unique one piece folding frame available in several models to suit different users and applications. The compact design and minimal component weight are of significant benefit to the elderly who are independent and have a need to transport the scooter in their motor vehicle. The electronically controlled speed reduction system which operates when turning is a valuable safety features for elderly users.

SAFETY SYMBOLS AND LABELS

What You Need to Know About Safety Instructions

Warning and Important Safety Instructions appearing in this manual are not meant to cover all possible conditions and situations that may occur. Common sense, caution and care must be exercised when operating or cleaning Supascoota.

Always contact your dealer, distributor, service agent or manufacturer about problems or conditions you do not understand.



This is the safety alert symbol. It is used to alert you to potential personal injury hazards. Obey all safety messages that follow this symbol to avoid possible injury or death.



WARNING indicates a potentially hazardous Situation, which, if not avoided, could result in death or serious injury.



CAUTION indicates a potentially hazardous Situation, which, if not avoided, may result in minor or moderate injury.



Radio wave sources may affect motorized vehicle.

SAFETY INSTRUCTIONS



- Read this manual before using your SupaScoota.
- Check the folding lock and all clamps before using your SupaScoota.
- Do not turn your Scoota on before you are seated ready to go.
- Practice riding in an open area free of vehicles, pedestrians and obstacles before using your SupaScoota near other people. It is also recommended that you have someone accompany you during practice.
- The SupaScoota was designed for hard and flat surfaces. It should not be used on steep slopes or loose surfaces
- Reduce speed when turning.
- Driving in wet conditions is not recommended.
- For your safety, it is recommended that you wear a helmet.
- Do not operate the Forward/Reverse switch while moving. This could damage your SupaScoota.
- Do not use the SupaScoota on slopes over 8 degrees.
- When the yellow battery light comes on, you should recharge your battery as soon as possible. If the red battery light comes on or is flashing, you should stop immediately and recharge, or fit a spare battery if you have one.
- Always switch the power off before leaving your scooter or while it is unattended.
- Do not put your fingers on the Speed Lever before you turn the key switch on. This could cause the SupaScoota to move without warning.
- Your key switch must be in the “Off” position before connecting battery lead.



WARNING

A. ENVIRONMENTAL CONDITIONS WARNING: The scooter is not designed for use in a heavy rain storm, or in snowy or icy conditions.

- i. Contact with water or excessive moisture can cause an electrical malfunction. The frame, motors and other scooter parts are not water-tight and may rust or corrode from the inside.

To avoid a scooter failure:

- Minimize exposure of your scooter to a rain storm or very wet conditions.
 - Never take your scooter into a shower, tub, pool or sauna.
 - Do not use your scooter in fresh or salt water (such as at the edge of a stream, lake or ocean).
 - Make sure all electrical connections are secure.
- ii. Proceed slowly and use extra care if you must operate your scooter on a wet or slick surface.
 - Do so only if you are sure it is safe.
 - Stop if one or both main wheels lose traction. If this occurs, you may lose control of your scooter or fall.
 - Never operate your scooter on a slope or ramp if there is snow, ice, water or oil film present.
 - iii. When not in use, keep your scooter in a clean, dry place.

B. TERRAIN

- i. This scooter is designed for use on firm, even surfaces such as concrete, asphalt and indoor flooring.
- ii. Do not operate your scooter in sand, loose soil or over rough terrain. Doing so may damage wheels, bearings, axles or motors, or loosen fasteners.

C. STREET USE WARNING: In most states, scooters are not legal for use on public roads. Be alert to the danger of motor vehicles on roads or in parking lots.

- i. At night, or when it is hard to see, use reflective tape on your scooter and clothing.
- ii. It may be hard for drivers to see you. Make eye contact with drivers before you proceed. When in doubt, yield until you are sure it is safe.

D. MOTOR VEHICLE SAFETY

- i. Never sit in this scooter while in a moving vehicle. In an accident or sudden stop you may be thrown from the scooter.
- ii. Always move to an approved vehicle seat. You must be secured with proper motor vehicle restraints.
- iii. Never transport this scooter in the front seat of a vehicle. It may shift and interfere with the driver.
- iv. Always secure this scooter so that it cannot roll or shift.

E. TRANSFERS WARNING: It is dangerous to transfer on your own. It requires good balance and agility. Be aware that there is a point during every transfer when the seat is not below you.

To avoid a fall:

- i. Always turn off power before you transfer to or from your scooter. If you fail to do so you may touch the throttle control lever and cause your scooter to move when you do not expect it.
- ii. Make sure scooter is turned "Off". This keeps the scooter from moving when you transfer.
- iii. Move your scooter as close as you can to the seat you are transferring to.
- iv. Transfer as far back onto the seat surface as you can. This will reduce the risk that you will miss the seat or fall.

F. REACHING OR LEANING WARNING: Reaching or leaning affects the center of balance of your scooter. If done improperly, a fall or tip-over is likely. When in doubt, ask for help or use a scooter to extend your reach.

To reduce the risk of injury and/or damage to the scooter:

- i. Never reach or lean if you must shift your weight sideways or rise up off the seat.
- ii. Never reach or lean if you must move forward in your seat to do so. Always keep your buttocks in contact with the backrest.
- iii. Never try to pick up an object from the floor by reaching down between your knees.
- iv. Never reach or lean over the top of the seat back. This may damage the backrest and cause you to fall. If you must reach or lean; do so at your own risk. Remember to:

ELECTROMAGNETIC INTERFERENCE



It is very important that you read this information regarding the possible effects of Electromagnetic Interference on your Supascoota.

This motorized scooter has an immunity of 20 V/m which should protect it from Electromagnetic Interference (EMI) from Radio Wave Sources. These EM waves are invisible and their strength increases as one approaches the source. All electrical conductors act as antennas to the EM signals and to varying degrees, all power wheelchairs and scooters are susceptible to electromagnetic interference (EMI). This interference could result in abnormal, unintentional movement and/or erratic control of the vehicle.

Motorized scooters may be susceptible to electromagnetic interference (EMI), which is interfering electromagnetic energy (EM) emitted from sources such as radio stations, TV stations, amateur radio (HAM) transmitters, two-way radios, and cellular phones. The interference (from radio wave sources) can cause the motorized scooter to release its brakes, move by itself, or move in unintended directions. It can also permanently damage the motorized scooter control system. The intensity of the interfering EM energy can be measured in volts per meter (V/m). Each motorized scooter can resist EMI up to certain intensity. This is called its "immunity level." The higher the immunity level, the greater the protection. At this time, current technology is capable of achieving at least a 20 V/m immunity level, which would provide useful protection from the more common sources of radiated EMI.

Because EM energy rapidly becomes more intense as one moves closer to the transmitting antenna (source), the EM fields from hand-held radio wave sources (transceivers) are of special concern. It is possible to unintentionally bring high levels of EM energy very close to the motorized scooter control system while using these devices. Therefore, the warnings listed below are recommended to prevent possible interference with the control system of the motorized scooter, which should reduce the chance of unintended brake release or motorized scooter movement that could result in serious injury.

- i. Move your scooter as close as you can to the object you wish to reach.
- ii. Turn off all power to your scooter. If you fail to do so, you may touch the throttle control lever and cause your scooter to move when you do not expect it.

G. DRIVING IN REVERSE WARNING: Use extra care when you drive your scooter in reverse. You may lose control or fall if one of the rear wheels hits an object.

- i. Operate your scooter slowly and at an even speed.
- ii. Stop often and check to make sure your path is clear of obstacles.

H. WEIGHT LIMIT

- i. Never exceed the weight limit of the scooter.
- ii. The scooter is not designed for weight training and is unsafe for use as a seat while weight training. Weight training from the scooter substantially changes the stability of the scooter and may cause tipping.
- iii. Exceeding the weight limit is likely to damage the seat, frame or fasteners and may cause severe injury to you or others from scooter failure.

I. STAIRWAYS AND ESCALATORS WARNING:

The scooter is not designed to travel up or down stairs or escalators. Always use an elevator. **DO NOT** use an escalator to move the scooter between floors. Serious bodily injury may occur. **DO NOT** attempt to move an occupied scooter between floors using a stairway.



Do not operate hand-held personal communication devices such as citizens band (CB) radios, or turn ON personal communication devices and cellular phones while the motorized scooter is turned ON.

- 1) Be aware of nearby transmitters, such as radio or TV stations and try to avoid coming close to them.
- 2) If unintended movement or brake release occurs, turn the motorized scooter OFF as soon as it is safe.
- 3) Be aware that adding accessories or components, or modifying the motorized scooter, may make it more susceptible to EMI; and **NOTE: There is no easy way to evaluate their effect on the overall immunity of the motorized scooter.**
- 4) Report all incidents of unintended movement or brake release to the distributor listed on the back of this manual, and **Note whether there is a radio wave source of EMI nearby.**

TURN “OFF” YOUR SCOOTER AS SOON AS POSSIBLE WHEN EXPERIENCING THE FOLLOWING:

- **Unintended or uncontrollable movement.**
 - **Unexpected brake release**
- Be aware that adding accessories or components, or modifying the powered wheelchair, may make it more susceptible to interferences from radio wave sources (Note: There is no easy way to evaluate their effect on the overall immunity of the powered wheelchair)
 - Report all incidents of unintended movement or brake release to the powered of wheelchair manufacturer, and note whether there is a radio wave source nearby

• Important Information

- 1) 20 Volts per meter (V/m) is a generally achievable and useful immunity level against interference from radio wave sources (as of May 1994) (the higher the level, the greater the protection);
- 2) This product has an immunity level of following:

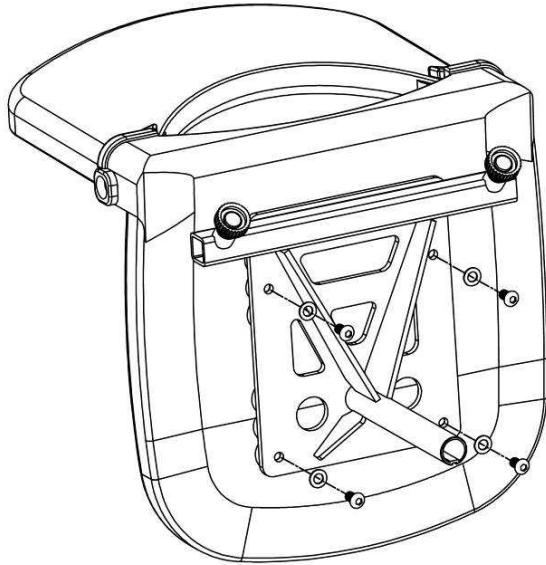
Guidance and MANUFACTURER’S declaration – electromagnetic IMMUNITY – for all ME EQUIPMENT and ME SYSTEMS

Guidance and manufacturer’s declaration – electromagnetic immunity			
The [ME EQUIPMENT OR ME SYSTEM] is intended for use in the electromagnetic environment specified below. The customer or the user of the [ME EQUIPMENT OR ME SYSTEM] should assure that it is used in such an environment.			
IMMUNITY test	IEC 60601 test level	Compliance level	Electromagnetic environment – guidance
Electrostatic discharge (ESD) IEC 61000-4-2	± 6 kV contact ± 8 kV air	± 6 kV contact ± 8 kV air	Floors should be wood, concrete or ceramic tile. If floors are covered with synthetic material, the relative humidity should be at least 30 %.
Electrical fast transient/burst IEC 61000-4-4	± 2 kV for power supply lines ± 1 kV for input/output lines	± 2 kV for power supply lines ± 1 kV for input/output lines	Mains power quality should be that of a typical commercial or hospital environment.
Surge IEC 61000-4-5	± 1 kV line(s) to line(s) ± 2 kV line(s) to earth	± 1 kV line(s) to line(s) ± 2 kV line(s) to earth	Mains power quality should be that of a typical commercial or hospital environment.
Voltage dips, short interruptions and voltage variations on power supply input lines IEC 61000-4-11	<5 % U_T (>95 % dip in U_T) for 0,5 cycle 40 % U_T (60 % dip in U_T) for 5 cycles 70 % U_T (30 % dip in U_T) for 25 cycles <5 % U_T (>95 % dip in U_T) for 5 s	<5 % U_T (>95 % dip in U_T) for 0,5 cycle 40 % U_T (60 % dip in U_T) for 5 cycles 70 % U_T (30 % dip in U_T) for 25 cycles <5 % U_T (>95 % dip in U_T) for 5 s	Mains power quality should be that of a typical commercial or hospital environment. If the user of the [ME EQUIPMENT OR ME SYSTEM] requires continued operation during power mains interruptions, it is recommended that the [ME EQUIPMENT OR ME SYSTEM] be powered from an uninterruptible power supply or a battery.
Power frequency (50/60 Hz) magnetic field IEC 61000-4-8	3 A/m	3 A/m	Power frequency magnetic fields should be at levels characteristic of a typical location in a typical commercial or hospital environment.
NOTE U_T is the a.c. mains voltage prior to application of the test level.			

ASSEMBLING THE SEAT

To assemble the seat

Assemble the seat frame as shown below

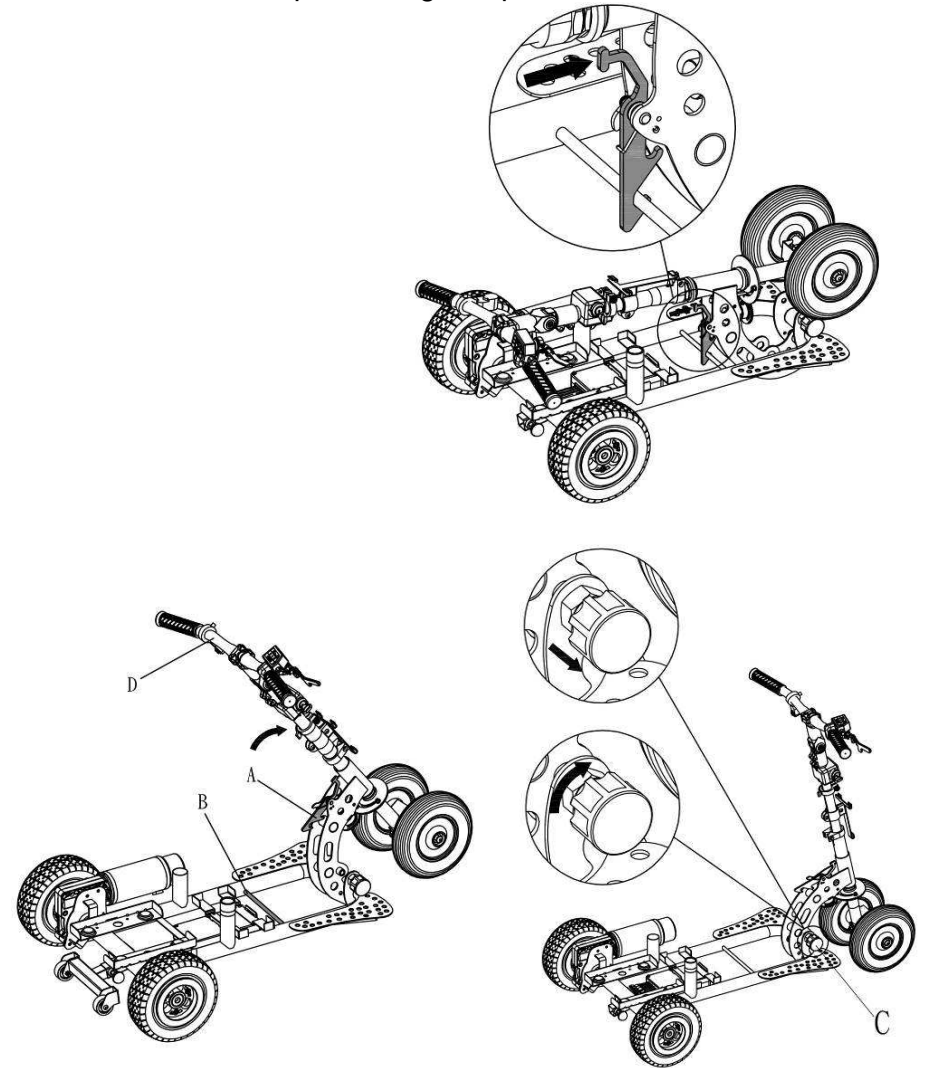


WARNING

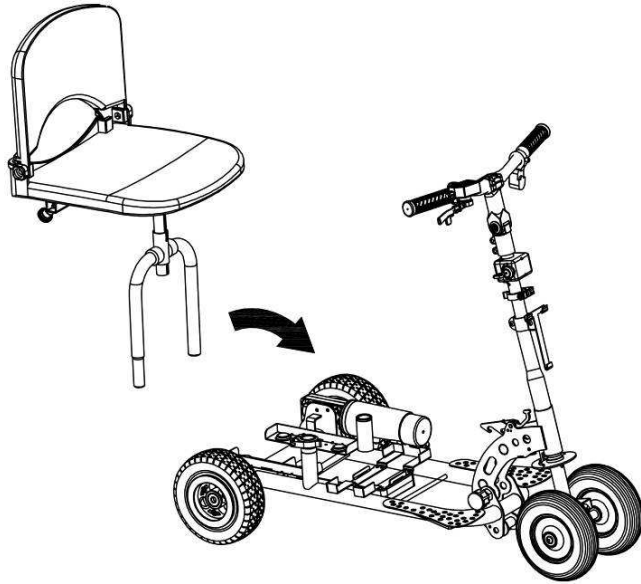
The armrests on your SupaScoota are not designed to be load bearing.
DO NOT PUT EXCESSIVE WEIGHT ON THE ARMRESTS

TO OPEN THE SUPASCOOTA

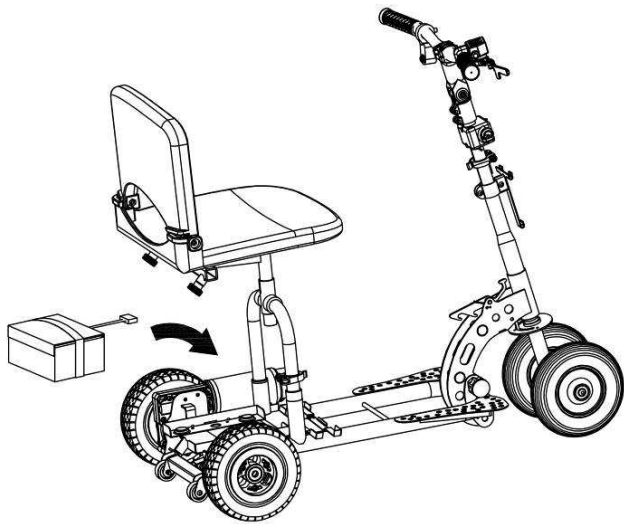
- Use one hand to hold the tiller handle (D) and use other hand to push the lock pin lever (A) as per illustration and lift the handle. Pull the tiller lock (C) and turn it clockwise. Continue lifting the tiller until you hear the “click” of the pin locking into position.



- Fit the seat onto the frame, inserting the seat frame tubes into the corresponding holes on the main frame, and then tighten the lever clamp.

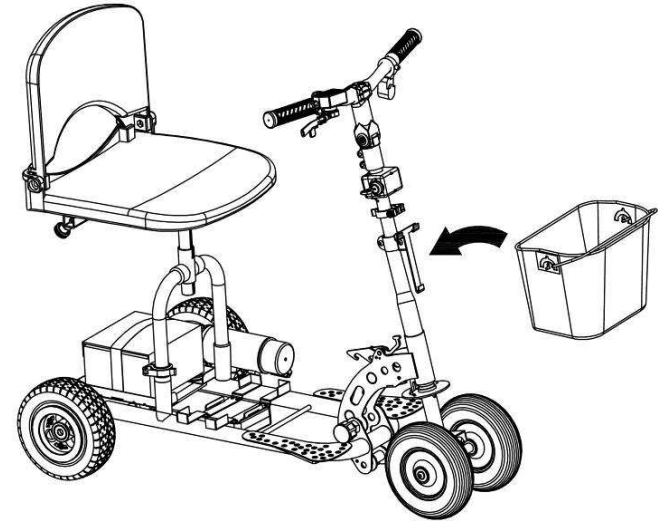


- Install the battery into the tray and fasten it securely.

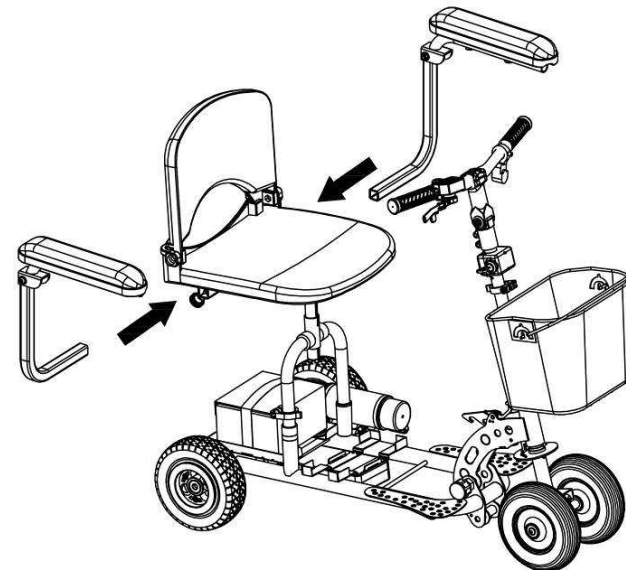


- 13 -

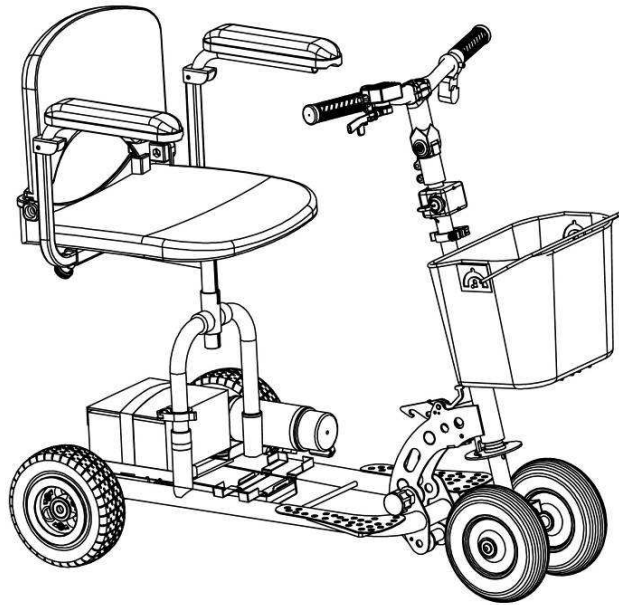
- Fit the front basket



- Insert arm rest as per illustration and tighten the screws.



- 14 -



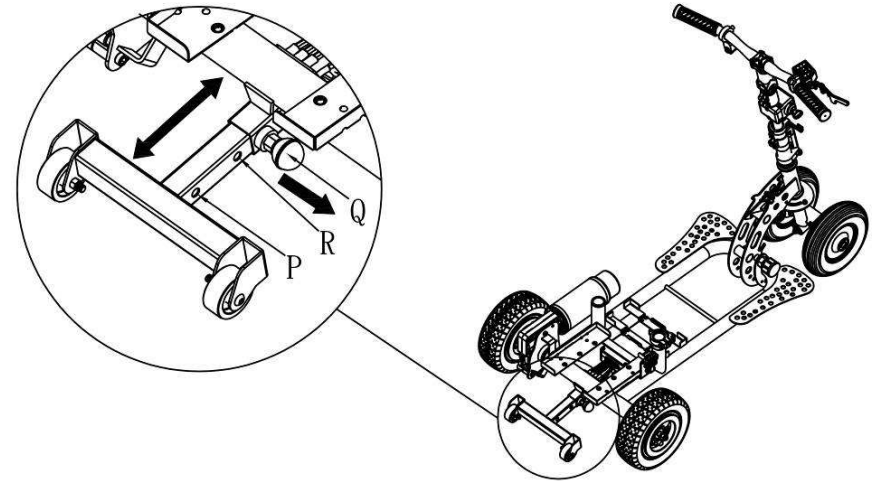
- Plug in the battery connector.
- The connectors are color matched. Do not force the plugs into the wrong position.
- Inflate the tyres to a maximum of 40 PSI.

ANTI-TIP WHEEL

⚠ WARNING

Ensure that the anti-tip wheels are extended and locked in either position “Q” or “R” when driving on sloping ground. (As per illustration below)

To change the lock position, just pull the knob “Q” and slide the tube to the preferred position. Position “Q” provides the greatest stability. Return the sliding tube to position “P” for transportation or dismantling.



⚠ CAUTION

- Do not turn key switch “On” before you are seated and ready to go.
- Always turn the key switch “Off” before getting off the scooter.

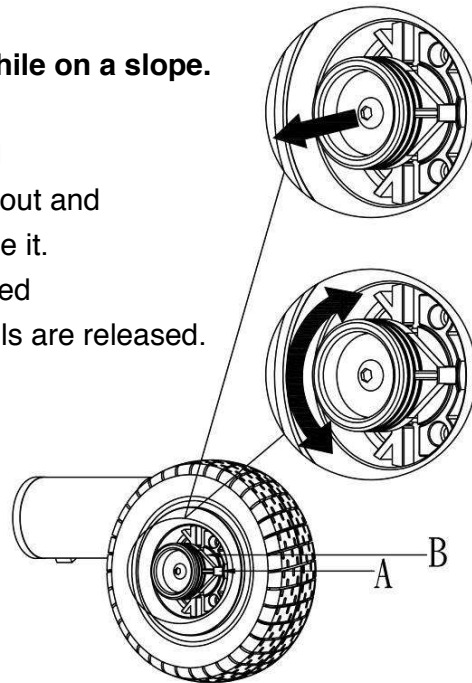
NOTE: Please be aware that should the scooter wheels meet an obstruction, you will need to help it out manually. Attempting to drive through an obstruction when the wheel is stuck could result in damage.

DRIVE WHEEL RELEASE MECHANISM

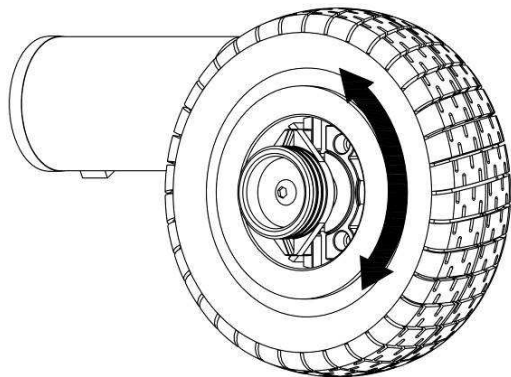


Do not operate this device while on a slope.

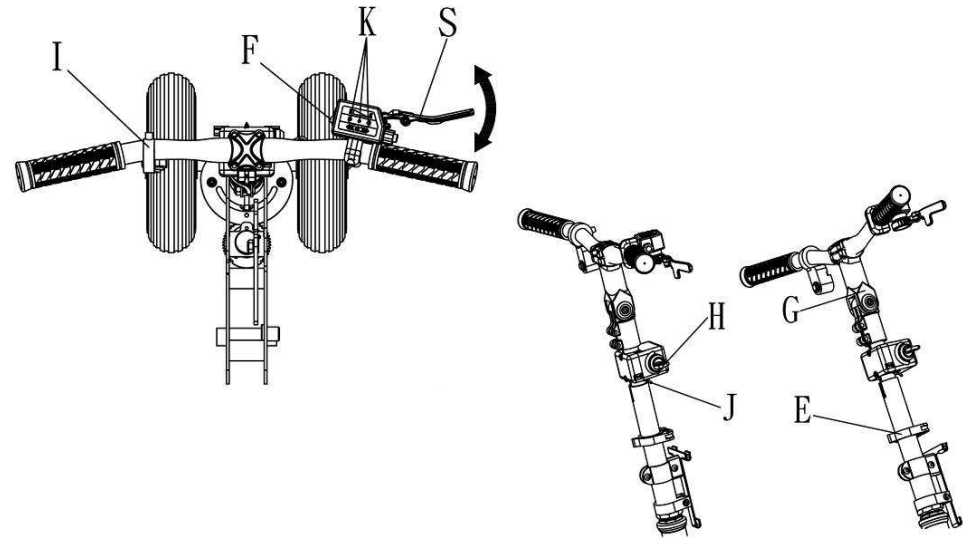
To disengage the drive wheel
Pull the drive collar (part "A") out and
turn it left or right, then release it.
Your SupaScoota can be moved
manually after the drive wheels are released.



To reconnect the drive wheel
Turn the drive collar (part "A") until it reconnects with the wheel and
then move the scooter until the collar connects with the drive. (a
loud click)



LIGHTS AND SWITCHES



- F : Forward and Reverse switch.
- S : Speed lever.
- K : Battery level indicator. (for lead-acid battery)
- H : Key switch
- J : Speed selection: F / full speed, S / reduced speed
- I : Disable button for ESC
- E : Clamp for height adjustment
- G : Handle bar angle adjustment



Do not place your fingers on the speed lever before you turn the key switch "On".

Do not operate speed selection switch "J" when scooter is moving.
Move the speed lever "S" slowly and accelerate smoothly. Do not pull lever "S" in quickly.

If the scooter will not move after the re-set, one of the following indicator light may be displayed:

Green light quick flashing	The magnetic brake either turn off or connectors are loose.
Green light slow flashing	Batteries on scooter for recharging with the key switch turn on.
Yellow & Red light ON	Low voltage of batteries detected by controller
Green, Red & Yellow light ON	Potentiometer broken down.
Red & Green light flashing alternately	Overload protection.
Red light ON	Battery needs recharging or connection faulty - check grey color connector.

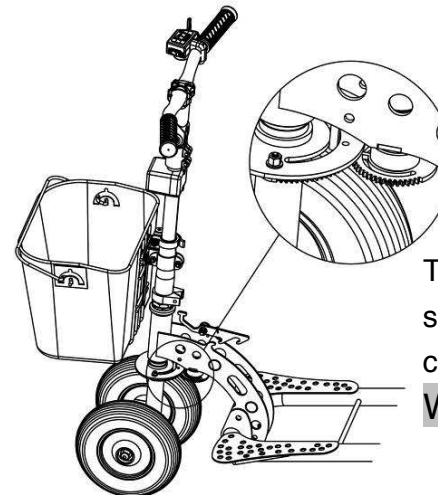
AUTO SWITCH OFF ELECTRONIC SYSTEM

- The electronic system of this scooter is protected by a digital over current cut-off system. If your SupaScoota stops, you will need to turn the main key switch to the “OFF” position, and then switch to “ON” position to reset the system.
- Possible causes of overcurrent cut-out are battery not fully charged or near the end of its life, or the slope is too steep for the scooter. Do not continue to overload the system as this may cause controller failure.
- The electronic system of this scooter will cut off if the key switch is left in the “ON” position when the scooter is not in use. You will then to turn the key switch to the “OFF” position, and then switch to “ON” position to reset the control system.

ELECTRONIC STABILITY CONTROL (ESC)

This is the most significant advancement in mobility scooter safety ever designed and will dramatically reduce accidents due to operator misuse. Turning corners at excessive speed has always been one of the most common causes of accidents but with clever engineering and sophisticated electronics we have all but eliminated this problem. The speed of the SupaScoota is now electronically governed in direct proportion to the rotation of the handle bars, virtually eliminating any possibility of over speeding when turning. With the handle bars at maximum rotation and the throttle at maximum speed the scooter will turn at a very low speed with complete safety. No other scooter can provide this level of safety.

Some situations may require maximum power to be used when turning and we have allowed for this with a handlebar mounted push button which will disable the ESC for 20 seconds if needed. (Push for one second)



WARNING
Keep fingers and clothing away from the Electronic Stability Control sensor.

This vital piece of equipment is very sensitive and could be damaged, or could cause damage, if tampered with.

Warning. If the ESC is disconnected or faulty, the scooter will continue to function normally **but the speed will not reduce when turning.**

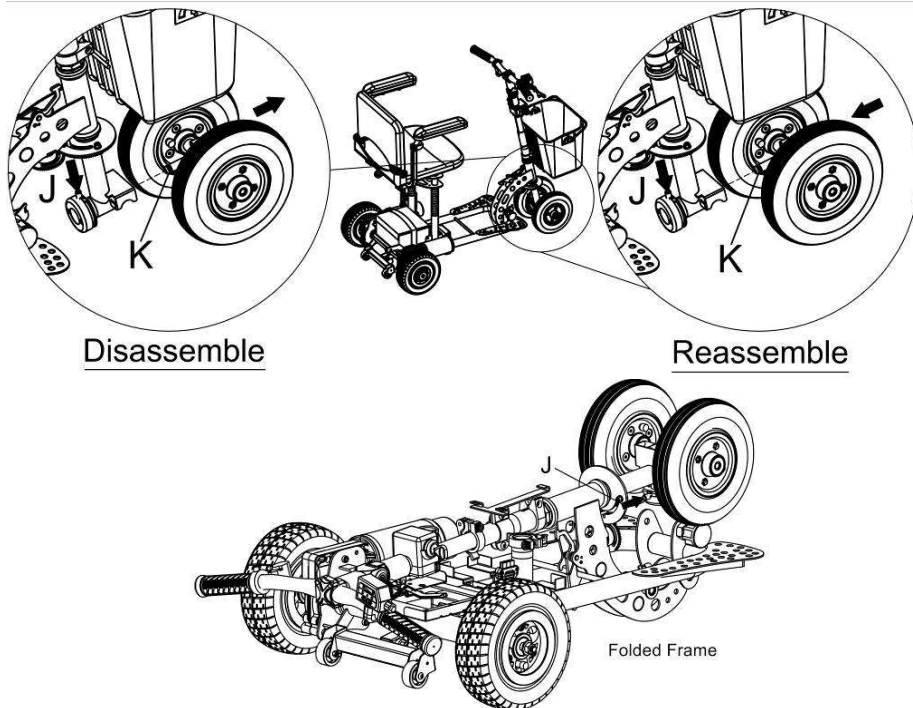
FRONT WHEEL REMOVAL (OPTIONAL)

To reduce weight when lifting the scooter

The front wheels of the scooter can be quickly removed when it is in the folded position by pushing the release pin "J" and pull front wheels out as per the illustration. This will reduce the weight by approximately 2 kg

Reassemble in the reverse order.

NOTE: Double check that the shaft "K" is locked in position before unfolding the frame and using the scooter.



PRECAUTION

- When using your scooter for the first time you should practice at slow speed in a flat open area free of obstacles until you are confident in turning, stopping, reversing and judging braking distance.
- This scooter is designed for a maximum rider weight of 80 kgs.
- Always switch power "OFF" (Key switch to "OFF" position) before leaving your scooter.
- Do not store your scooter outside without adequate protection.
- Keep the shipping carton in dry place after unpacking your SupaScoota in case it needs to be shipped for service.
- This appliance is not intended for use by persons (including children) with reduced physical, sensory or mental capabilities, or lack of experience and knowledge, unless they have been given instructions concerning use of the appliance by a person responsible for their safety. Children should be supervised to ensure that they do not play with the appliance.



Your SupaScoota is extremely maneuverable but sharp turns must only be done at very slow speed.



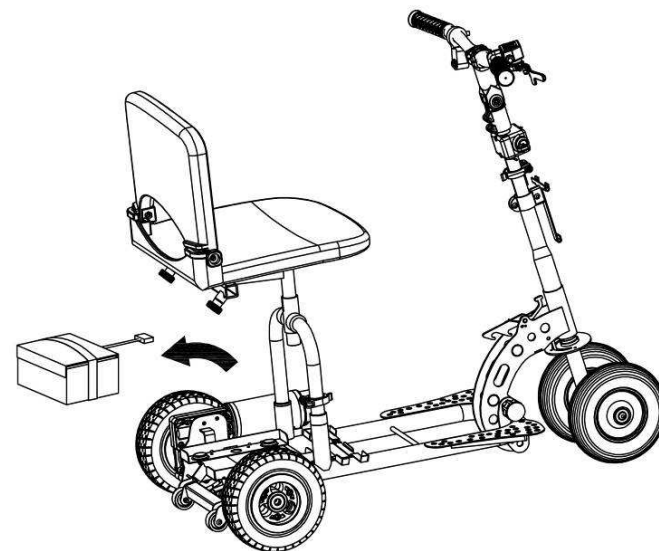
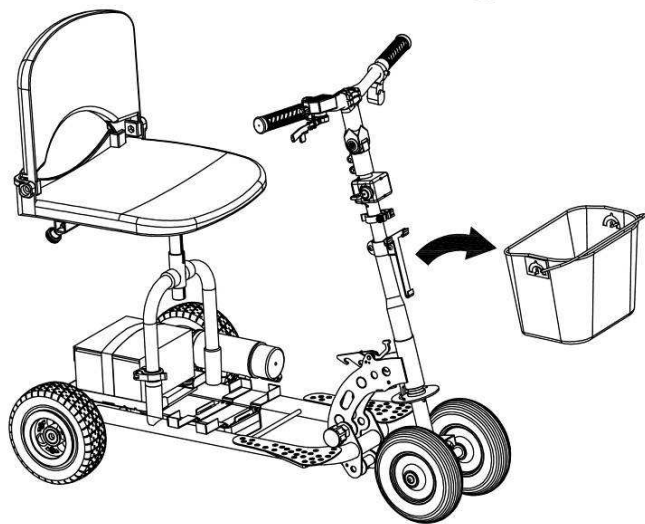
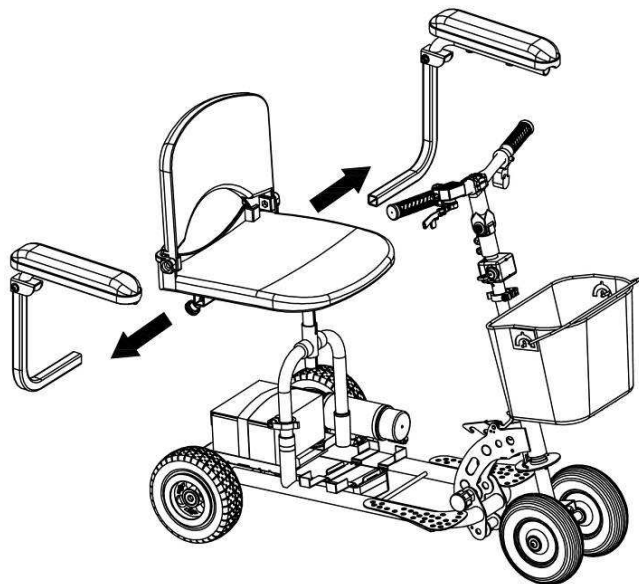
- Do not operate the Forward/Reverse switch while moving. This could damage your SupaScoota.

Avoid power spray water washing of the scooter as this could cause damage to the wire connectors and electronic system.

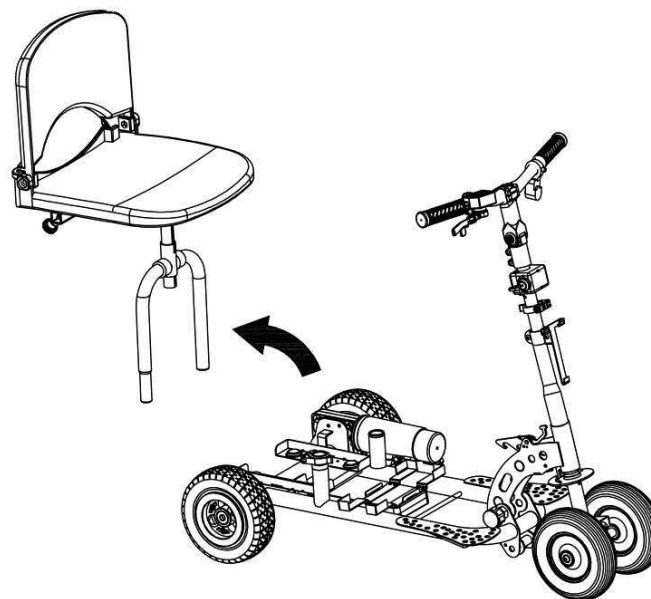
Completely dry off the scooter, if necessary using a dry cloth after cleaning your scooter.

FOLDING THE SUPASCOOTA

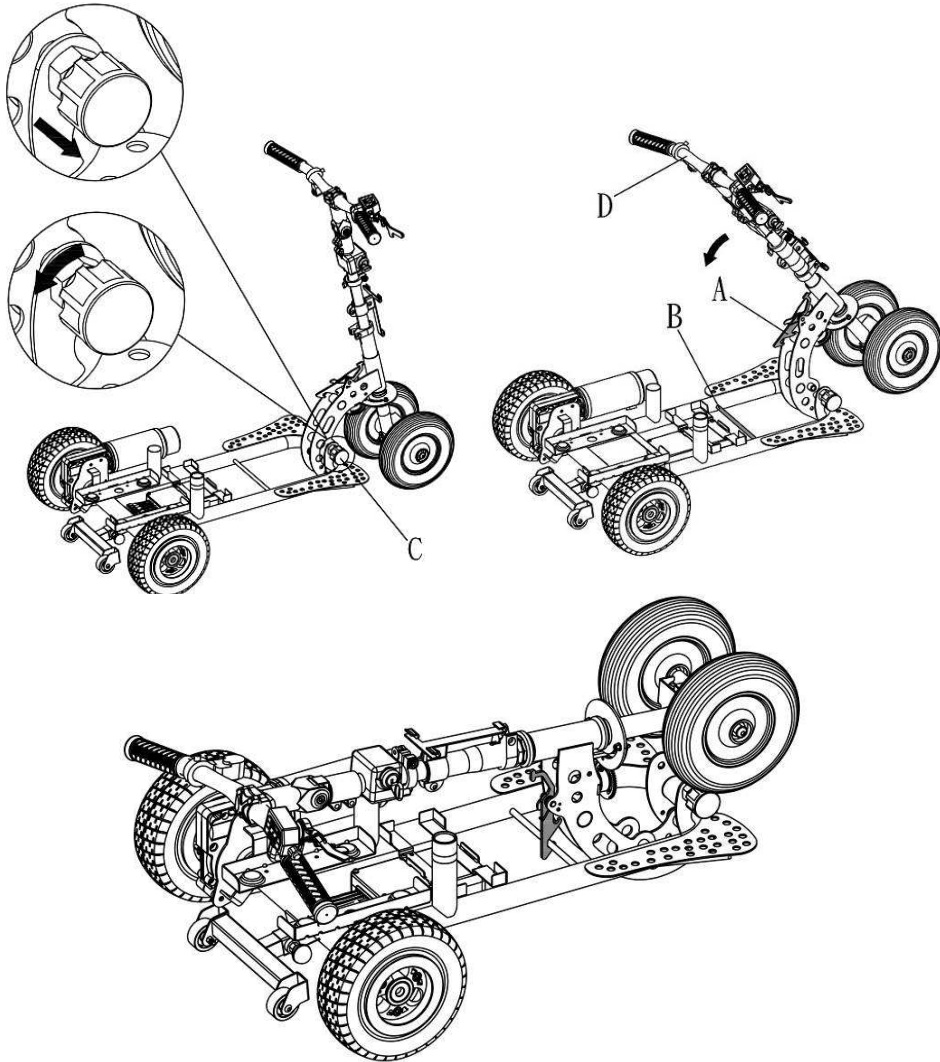
- Remove the arm rests from scooter.
- Remove front baskets from scooter.



- Unplug the battery connector, undo the strap and remove the battery.
- Remove the seat.



- Lower the tiller handles to the lowest position.
- Use one hand to hold the handle, and use other hand to pull the lock pin knob and turn it anticlockwise. Then fold the handle down until you hear the “click” of the locking pin lever (A) fitting into position on the main frame mechanism (B).



BATTERY AND CHARGING

- When you get your new battery put it on charge for at least 24 hours.
- When recharging your battery, always charge for at least 12 hours.
- Do not connect the battery charger to the connector on the scooter.
- Never use the battery for any purpose other than to power this scooter.
- The battery charger can become hot during charging so your charger should be placed in a suitable place with good air flow and away from children.

Lithium battery & charger are optional accessories.



IMPORTANT NOTICE:

The battery terminal covers must be kept in place at all times to avoid the possibility of something falling across the terminals and causing a short circuit. This could damage the battery or even cause it to explode. To dispose of your battery, return it to your dealer or to a recycler. Improper disposal of the battery could result in an explosion causing injury and/or property damage.

Travel distance from battery indicator & Cycles life

Battery Type	Green light	Yellow light	Red light	Cycle life (battery's)
12V SLA Battery	10 Km (6.2miles)	3 Km (1.9 miles)		400
12V Lithium Battery	15 Km (9.3 miles)	1 Km (0.6 mile)		1000

BATTERY CHARGER



- Before charging, read the instructions. (included with charger)
- The charger is for indoor use only, do not expose to rain.
- Disconnect the charger power supply before making or breaking the connections to the battery.
- This appliance is not intended for use by persons (including children) with reduced physical, sensory or mental capabilities, or lack of experience and knowledge, unless they have been given instructions concerning use of the appliance, by a person responsible for their safety. Children should be supervised to ensure that they do not play with the appliance.
- This charger is not for recharging non-rechargeable batteries.
- Do not use for charging any batteries not specified by the manufacturer.

BATTERY CARE & MAINTENANCE



Important notes to help prolong the life of the battery:

- Before the first use of your battery, put it on charge for 24 hours, even if the battery is already fully charged.
- Do not place the battery on a concrete floor for charging, have the battery raised off the floor on wooden blocks or place the battery on a shelf.
- Always recharge your battery as soon as possible after use.
- Never use your battery when the red light is on. You will discharge the battery below its designated voltage and damage it.
- Do not drop the battery.
- **STORAGE:**
If you know that you will not be using your battery in the near future, disconnect the battery from the charger and store them in a suitable dry place.
Recharge your battery before you use it or **every 3 months (No more than 3 months) if it is not used in that period.**
- Always contact our service agent before you replace the battery or the charger. Using an incompatible battery or charger may damage the scooter and void your warranty.

Specifications

Number of Wheels	4
Front Wheel Size	200mm (8")
Rear Wheel Size	200mm (8")
Ground Clearance (tiller)	60mm (2.4")
Length	1000mm (39")
Width	550mm (22")
Weight Without Seat	14.9kg (33 lbs) Without Front Wheel 13.3kg(29.3 lbs)
Weight of Seat	5.8kg (13 lbs included seat frame & armrest)
Max Loading	80kg (175 lbs)
Turn Radius	900mm (35.5")
Motor Output	DC12v - 180 Watt
Transmission	Worm Drive Gearbox
Reverse	Forward/Reverse Switch
Brakes	Dynamic Braking and Electromagnetic Brake
Battery (SLA / Lithium)	12v - 20 ah 6.6kg (14.5 lbs)/2.9 kg (6.5 lbs)
Charger (SLA / Lithium)	Off board 12 volt 3 amp / 12V 5 amp
Lithium Battery (Optional)	12V / 20ah 2.9 kgs (6.5 lbs)
Max Speed SLA Battery	6.5 kph—4 mph(2 nd speed choice—3.9 Kph-2.4 mph)
Max Speed Lithium Battery	6.5 kph
Slope Grade Ability	Maximum Recommended - 9 Degrees.(80kg load)
Travel Distance	Up to 13km(8 miles) with standard SLA battery, up to 16km (10 miles) on Lithium battery.
Arm Rests	Distance between armrests 45cm - 55cm (18 -22")

SupaScoota Warranty

Your SupaScoota is fully guaranteed against faults arising due to defects in manufacture or materials as follows

Frame: **2 years**.

The height adjustable tiller and all other components except those listed below: **1 year**.

Subject to availability of parts, any such defects will be rectified, either by repair or by unit replacement.

Warranty does not cover

Any damage due to improper use nor the replacement of parts arising from normal wear and tear such as potentiometers, tyres, arm rests and upholstery.

A normal increase in operational noise level.

Labour or service calls.

Batteries

Batteries are covered by a six month warranty from the original manufacturer. Gradual deterioration due to being left in a discharged state, being used when the red light is on, or being left in cold conditions for long periods is not covered.

This section **MUST BE READ** and **SIGNED** by the purchaser and stamped by the dealer

This warranty record must be kept by the purchaser and a copy supplied with any claim

I / we acknowledge that the SupaScoota has been delivered in good order and operating condition and that I / we have been instructed in the care and maintenance, safe operation and proper use of the unit.

Purchasers
name.....

Purchase date.....

Address

Serial NoKey No.....

Signature.....

Stamp of Dealer

Date: