

Sheet: Sheet5FCAF2A8

File: file5FCAF2A8.sch

Sheet: /
File: teensy40_480x320_lcd.sch

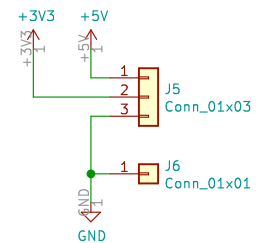
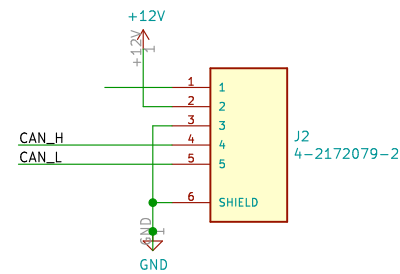
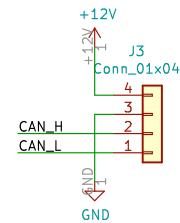
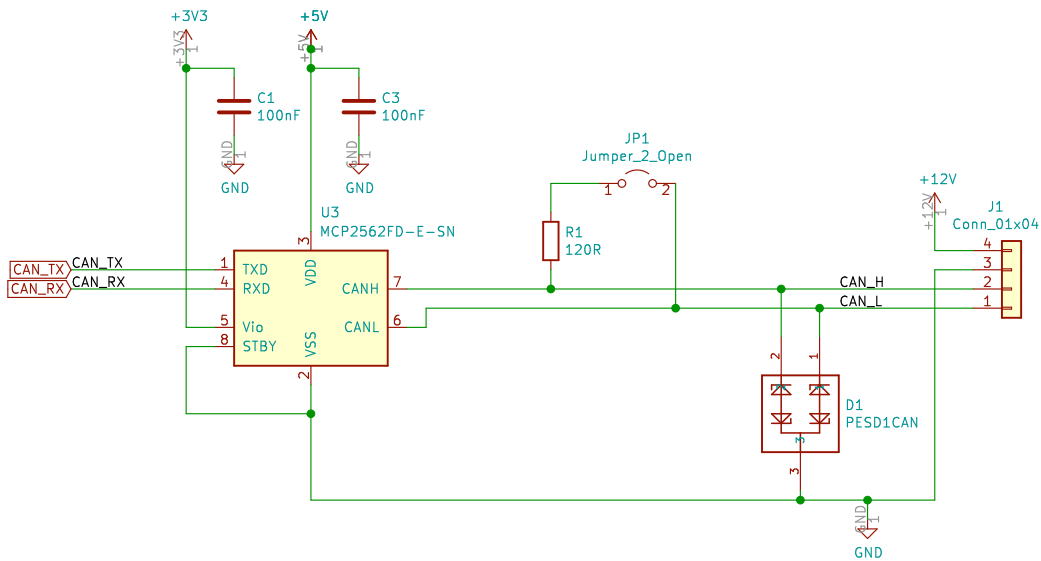
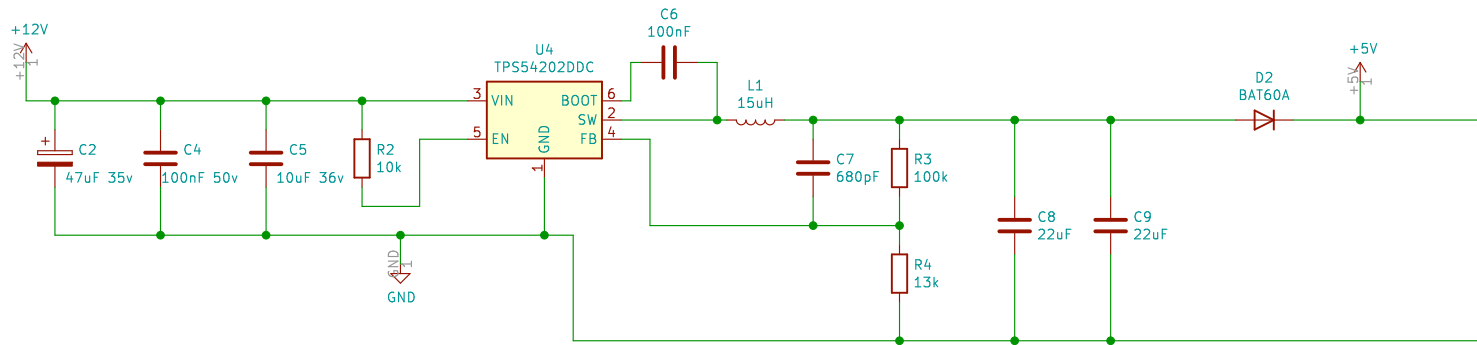
Title: Teensy 4.0 480x320 LCD

Size: A4
KiCad E.D.A. kicad (5.1.7-0-10_14)

Date: 2020-11-30

Rev: B

Id: 1/2



Sheet: /Sheet5FCAF2A8/
File: file5FCAF2A8.sch

Title: Teensy 4.0 480x320 LCD

Size: A4 Date: 2020-11-30

KiCad E.D.A. kicad (5.1.7-0-10_14)

Rev: B

Id: 2/2