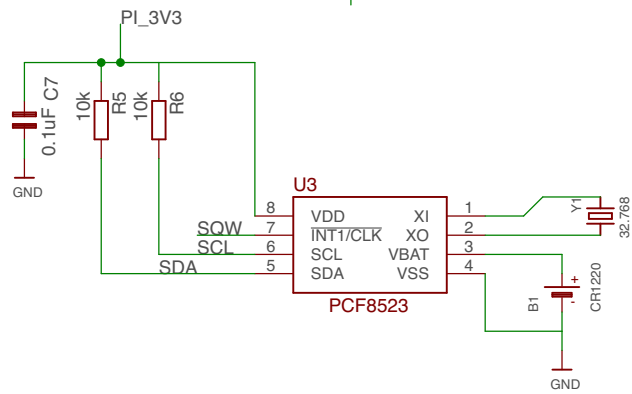


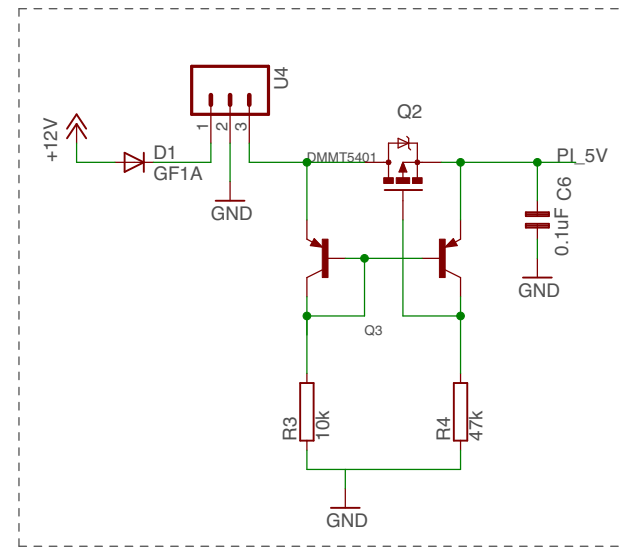
	CAN ANALYSER	OBDII	SOLDER-JOINT
CAN H	7	3	SJ2
CAN L	2	5	SJ3
GND	3	2	SJ1

PiCAN FD Board
www.skpang.co.uk

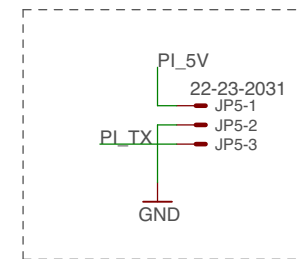
pican_fd_rtc_rev_B
03/12/2017 21:11
Sheet: 1/2
Rev B



Optional SMPS



NO FITTED



PiCAN FD Board www.skpang.co.uk	pican_fd_rtc_rev_B	
	03/12/2017 21:11	
	Sheet: 2/2	Rev B