

	CAN ANALYSER	OBDII	SOLDER-JOINT
CAN H	7	3	SJ2
CAN L	2	5	SJ3
GND	3	2	SJ1

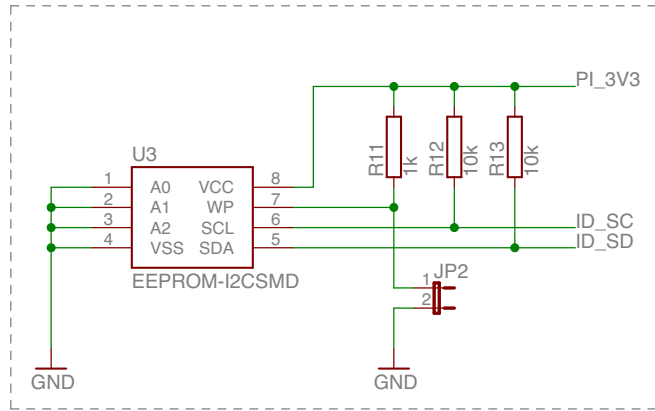
PiCAN 2 Board  
www.skpang.co.uk

pican2\_rev\_B  
21/12/2015 17:26

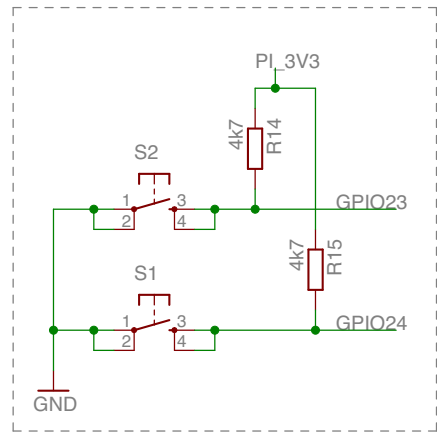
Sheet: 1/2

Rev B

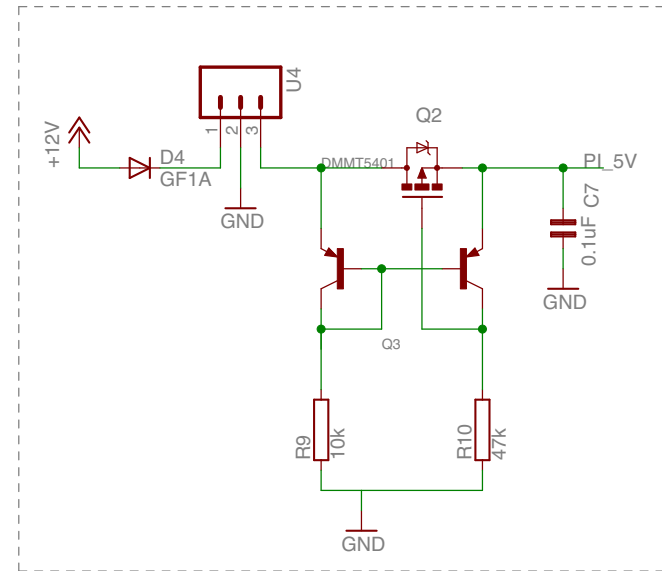
NO FITTED



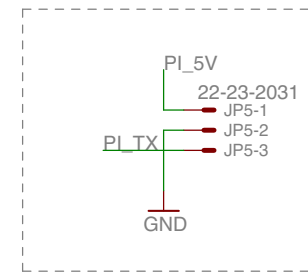
NO FITTED



Optional SMPS



NO FITTED



PiCAN 2 Board  
www.skpang.co.uk

pican2\_rev\_B

21/12/2015 17:26

Sheet: 2/2

Rev B