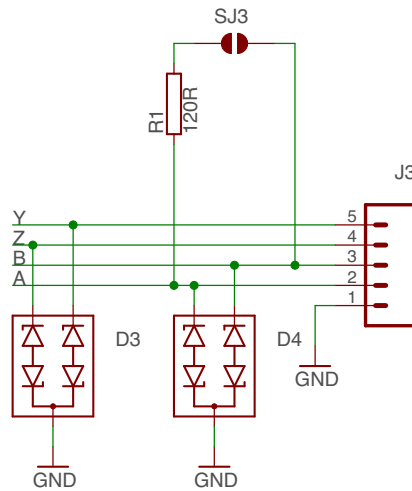
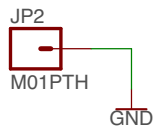
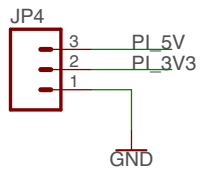
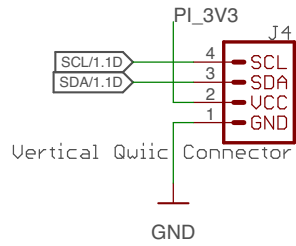
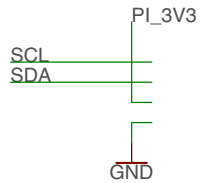
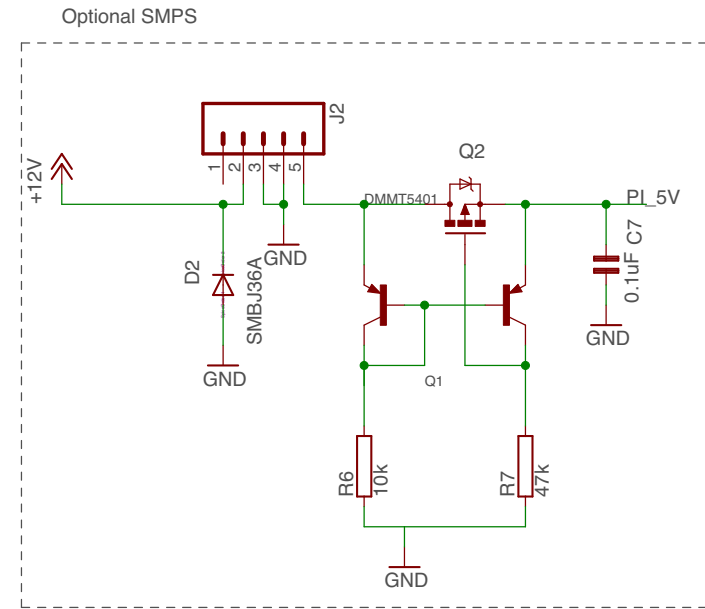
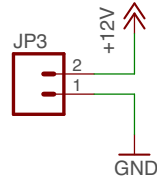
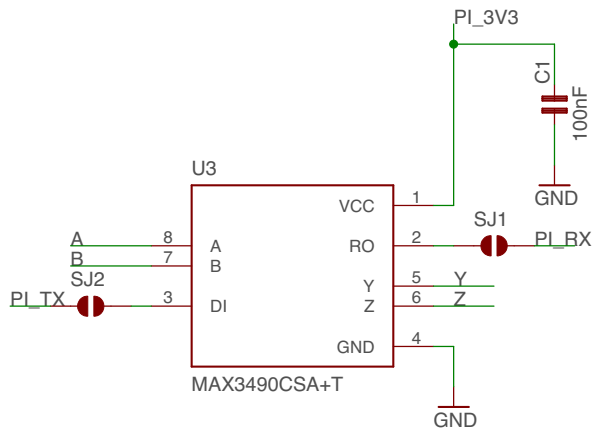


	CAN ANALYSER	OBDII	SOLDER-JOINT
CAN H	7	3	SJ2
CAN L	2	5	SJ3
GND	3	2	SJ1

PiCAN-M Board
www.skpang.co.uk

pican-m_rev_B
 27/01/2021 16:49
 Sheet: 1/2 Rev B



PiCAN-M Board
www.skpang.co.uk

pican-m_rev_B

27/01/2021 16:49

Sheet: 2/2

Rev B