

CM4 Cooler

EDA TECHNOLOGY CO.,LTD



Highlight

- ◆ Lower the temperature of CM4 module by up to 20°C
- ◆ Heat dissipation for CPU, PMU & Wireless module
- ◆ 1.5mm or 3mm height nylon washer to support CM4
- ◆ Dimension: 55*40*13.5mm
- ◆ Weight: 40g



Introduction

CM4 Cooler is a heatsink specially designed for Raspberry Pi Compute Module 4, which ensure Compute Module 4 to work reliably.

CM4 Cooler is a heatsink specially designed for Raspberry Pi Compute Module 4.

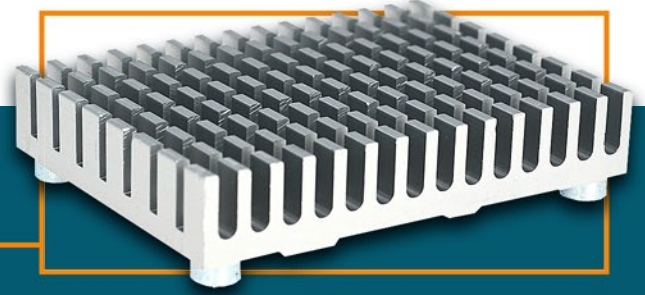
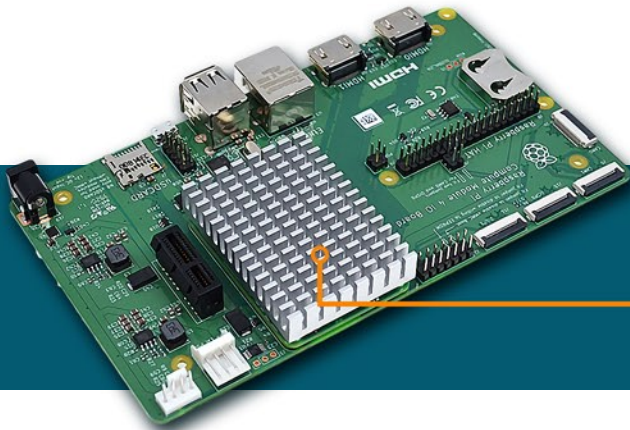
Due to the higher performance of Compute Module 4, its power consumption gets higher than Compute Module 3+. The temperature of CPU is close to the temperature limit-85° C when the environment temperature is 25 ° C and CPU is fully loaded. Besides that, PMU and Wireless Module (CM4 with wireless function) are also very hot. Three thermal-conductive pads are attached on the back of CM4 Cooler to ensure CM4 Cooler closely attached with the CPU, Wireless Module and PMU on the Compute Module 4. The heat of these three components is dissipated by CM4 Cooler through the three thermal-conductive pads.

There are four nylon washers packed with CM4 Cooler, 1.5mm height & 3mm height optional for 1.5mm and 3mm height 100pin board to board connector. They are used to support Compute Module 4 and avoid the damage of board-to-board connector or deformation of Compute Module 4 when the screws are used to fix CM4 Cooler on the Compute Module 4. There' s no need to solder the stand-off that secures the Compute Module 4 on the PCB when customers design their own baseboard, which saves money.

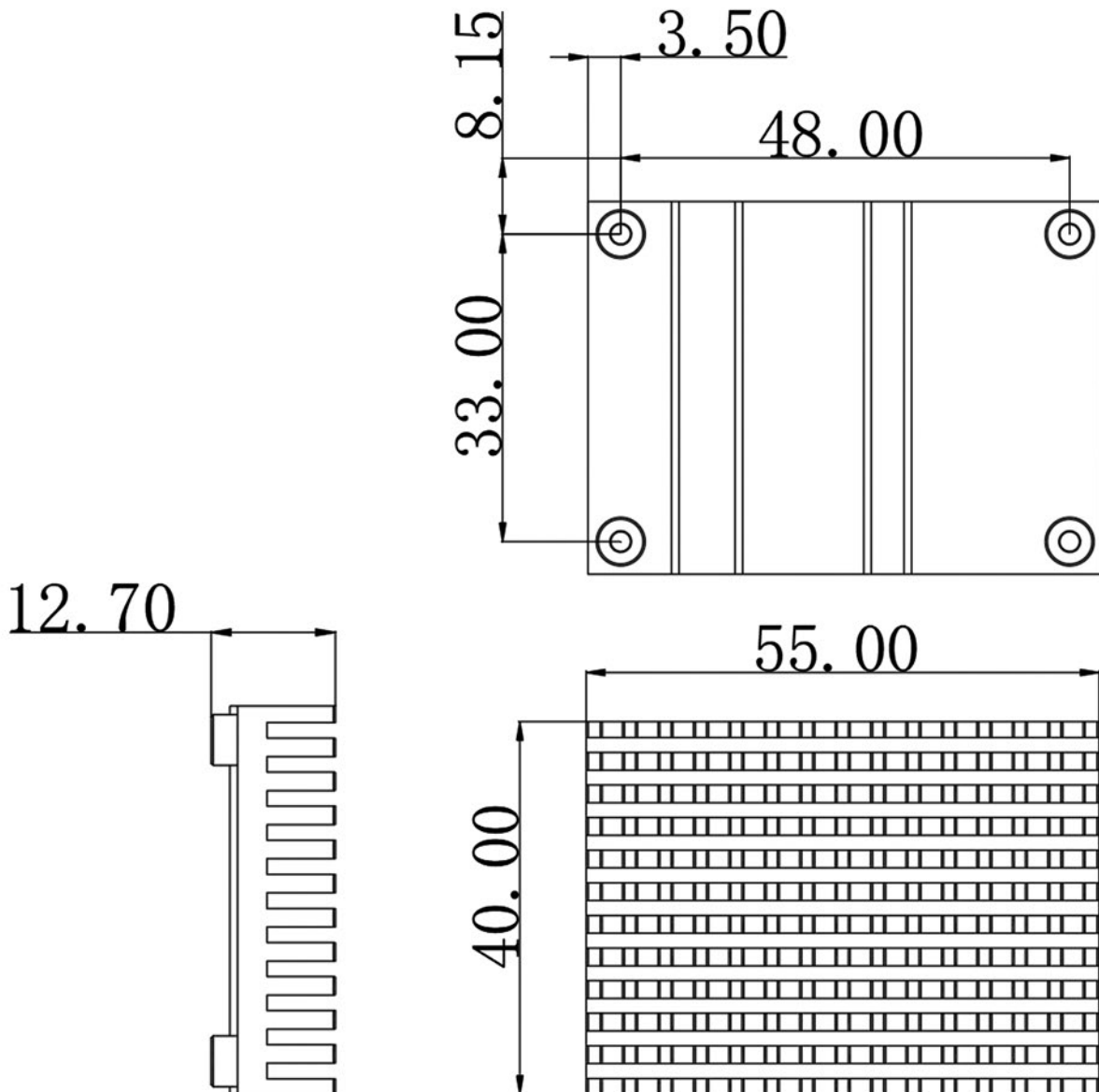
CM4 Cooler can reduce the temperature of Compute Module 4 by maximal 20 ° C when the room temperature is 25°C and CPU & DDR memory are fully loaded. The actual heat dissipation performance will be variable according to temperature difference between the environment and Compute Module 4. Please check CM4 Cooler cooling performance testing report for more details.

CM4 Cooler is available in black and silver. It also supports full series of Compute Module 4 including Wireless version.

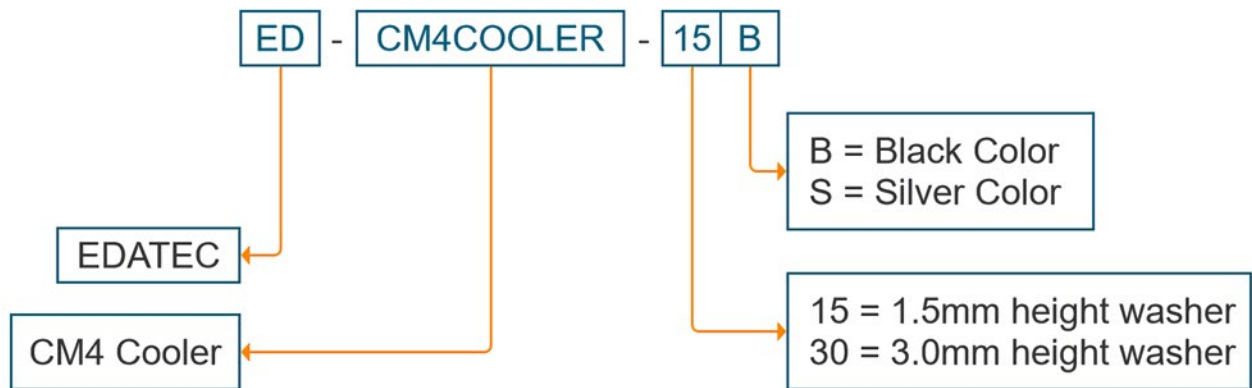
CM4 Cooler - Silver



Dimension Unit:mm



Order Information



Example

Part#: ED-CM4COOLER-15B
Configuration: CM4 Cooler
 1.5mm height washer
 Black Color

Contact Information

If you have any technical problems, please contact:

Support:support@edatec.cn

Business related, such as Quotation, Product Customization, please contact:

Sales:sales@edatec.cn

Web:www.edatec.cn

Tel / Mobile / Fax:+86-18621560183

