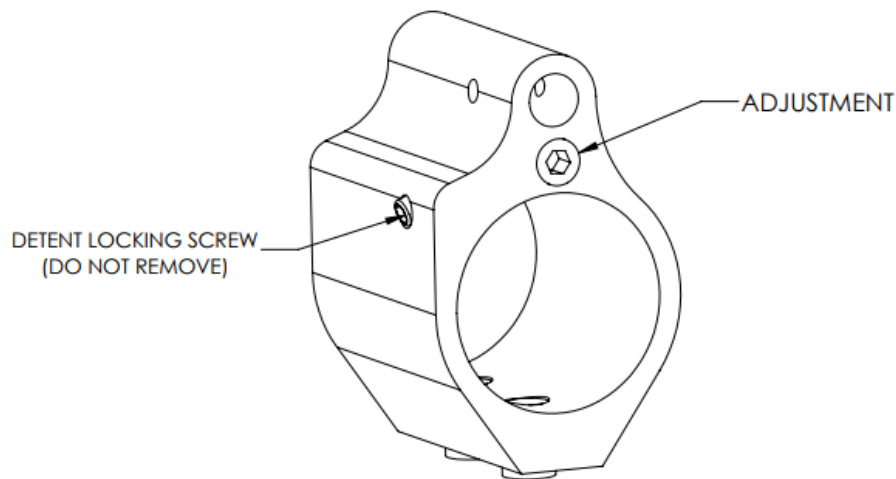




Always use firearm safety practices & personal protective equipment when handling, operating, assembling, or retrofitting a firearm. Weapon should be unloaded and barrel pointed in a safe direction, never look into the barrel of the gun while installing or adjusting the gas block for any reason. Always remember safety first, this is the #1 priority. Spear Manufacturing is not responsible for your safety while using or installing our products. If at any time you feel unsafe or unsure about installation stop immediately and consult a gunsmith. Read the entire document before proceeding with gas block adjustment.



The Gas block is treated with black nitride and compatible with the AR15/AR10 platform, .750 barrel. Please observe the following guidelines:

- There is only one screw that needs adjustment- it is shown in the above diagram, and there is a hex key supplied with the gas block.
- Clockwise rotation closes the gas port, CCW rotation opens the gas port
- Start with the adjustment screw set flush with the face of the gas block. If the system seems to have too much gas rotate clockwise, not enough rotate CCW
- Do not attempt to remove the detent locking screw, it is locked in place during the assembly process and is not intended to be removed.