

3 YEARS +



TINY LAND



DOLLHOUSE

ASSEMBLY INSTRUCTIONS

WARNING:

Avertissement: Risque d'étouffement - petites pièces.
Pas pour les enfants de moins de 3 ans.
Assemblage par un adulte requis.

Warnung: Erstickungsgefahr - Kleinteile.
Nicht für Kinder unter 3 Jahren.
Montage durch Erwachsene erforderlich.

**Choking hazard - small parts.
Not for children under 3 years old.
Adult assembly required.**

Avvertimento: Pericolo di soffocamento - piccole parti.
Non per bambini sotto i 3 anni.
È richiesto il montaggio di un adulto.

Advertencia: Peligro de asfixia: piezas pequeñas.
No para niños menores de 3 años.
Requiere montaje por adulto.

THANK YOU!

Thank you for choosing the Tiny Land Dollhouse! It's a terrific way to help nurture a child's creativity and imagination and to inspire story-telling and independent play for years to come.

NOW IT'S TIME TO PUT IT TOGETHER! PLEASE READ FIRST.

WARNINGS

- Do not over-tighten screws when assembling. Screws should be fully tightened once.
- Laying out all accessories on a hard, flat, and level surface for installation.
- Please follow the instructions step-by-step.

PARENTAL SUPERVISION REQUIRED

- This toy is intended for children aged above 3.
- Parents should supervise the play area so that children younger than the intended age range do not interact with this toy.
- Use this toy on a hard, flat, and level surface.
- Do not allow children to pull, climb, sit, or stand on any part of the dollhouse.

CLEANING INSTRUCTIONS

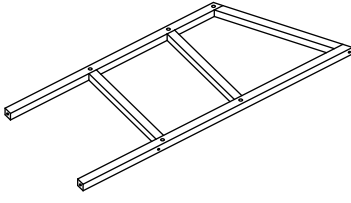
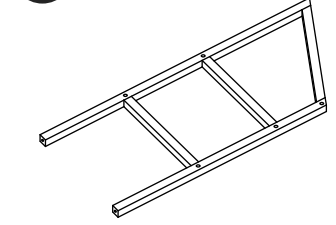
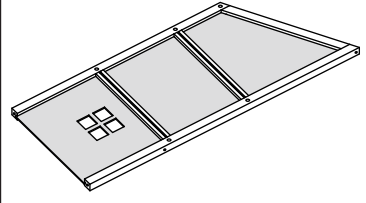
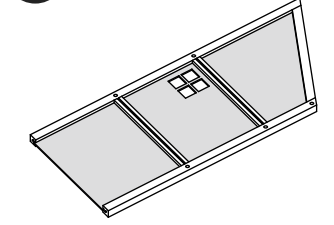
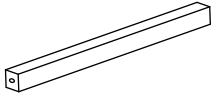
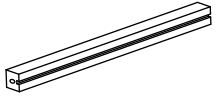
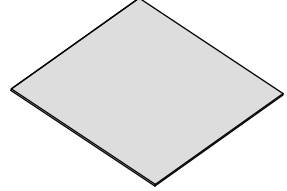
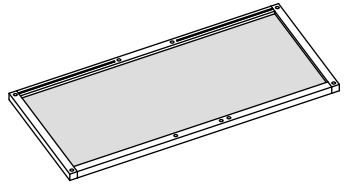
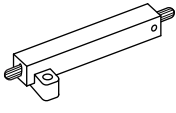
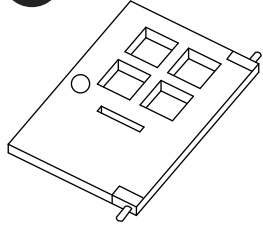
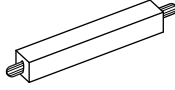
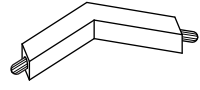
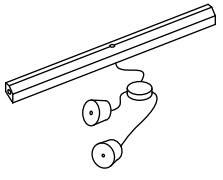
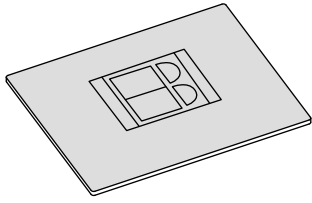
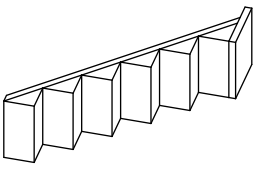
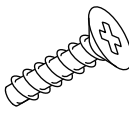
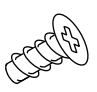
- Clean the surface using a slightly damp cloth and mild dish washing liquid if necessary.
- Don't use any cleaning product containing alcohol or ammonia, which may dull the surface of the product.

SOLE AND LIMITED WARRANTY

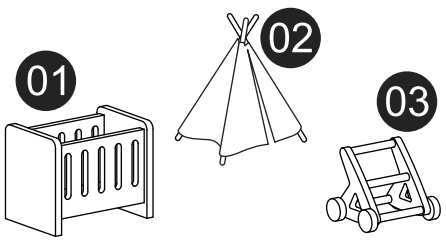
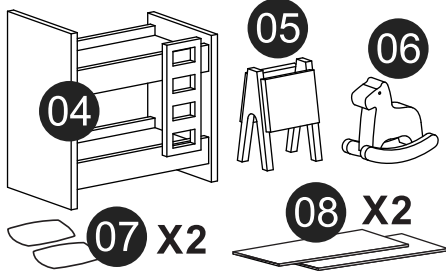
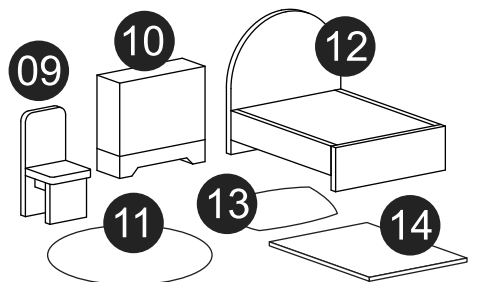
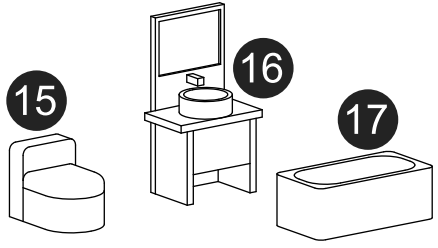


- This toy is warranted solely against manufacturing defects for a period of 90 days from the date of purchase, which runs only to the original user of the toy. Event of a manufacturing defect, parts will be replaced or the entire product will be replaced or the purchase price will be refunded, at the election of the manufacturer.
- To activate and protect this warranty, preserve evidence of original purchase and carefully inspect the condition of the toy prior to and after assembly, looking for missing degraded, broken or hazardous parts, including parts / which can be swallowed by a child, cause a child to choke or otherwise cause injury.
- When you observe any defects, don't use the toys and contact us immediately. Misuse, improper assembly, failure to honor a warning, failure to supervise, inspect or maintain the toy, or damage to the toy, whether intentional or inadvertent, shall invalidate this warranty.

**PLEASE FEEL FREE TO CONTACT US IF YOU HAVE ANY QUESTIONS.
WE ARE ALWAYS HERE TO HELP YOU BUILD YOUR LITTLE ONE'S WORLD!**

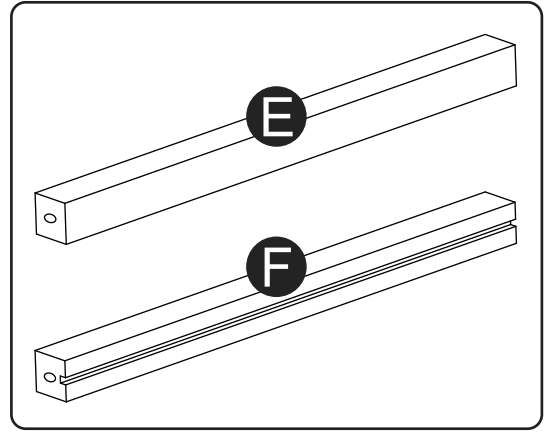
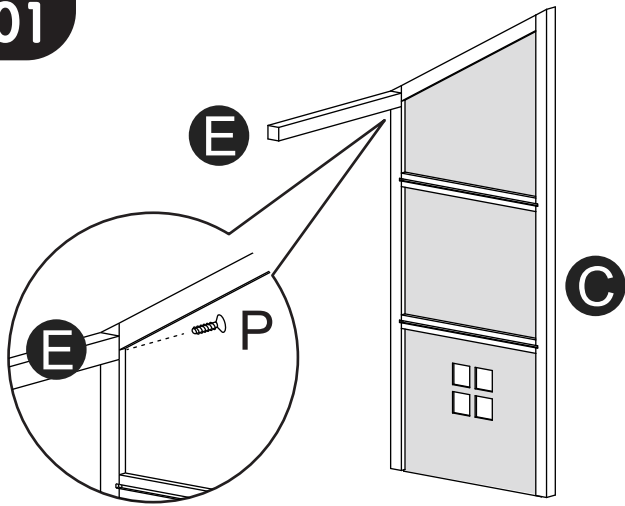
CONTENTS

A X1 	B X1 	C X1 	D X1 	
E X2  Without a groove	F X8  With a groove	G X4 	H X1 	
I X1 	J X1 	K X1 	L X2 	M X1 
N X2 	O X2 	P X30 	Q X12 	

FURNITURE

Baby room X3 	Children's room X7 	Bedroom X6 
Bathroom X3 	Living room X5 	Kitchen X6 

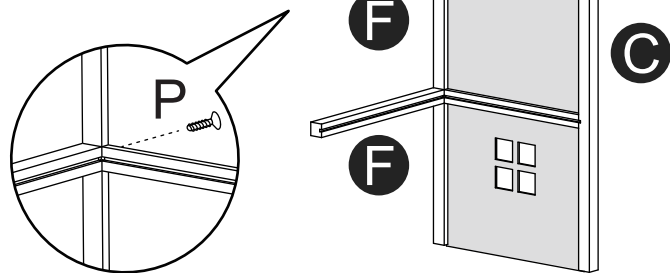
01



Connect part **C** and part **E** with a screw **P**.
 Tips: Part **E** is without a groove, part **F** is with a groove.

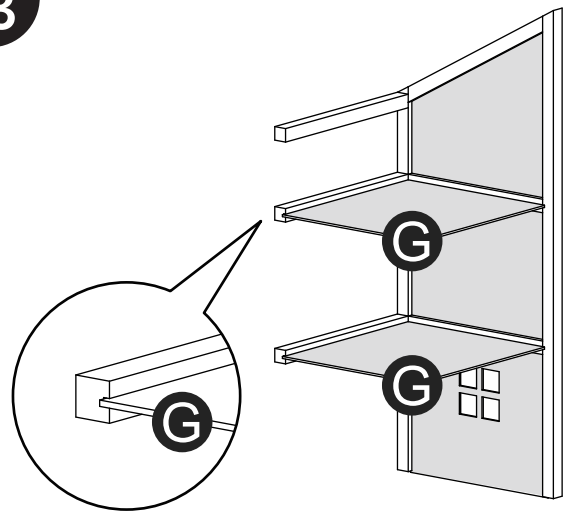
02

The groove side should inwards.



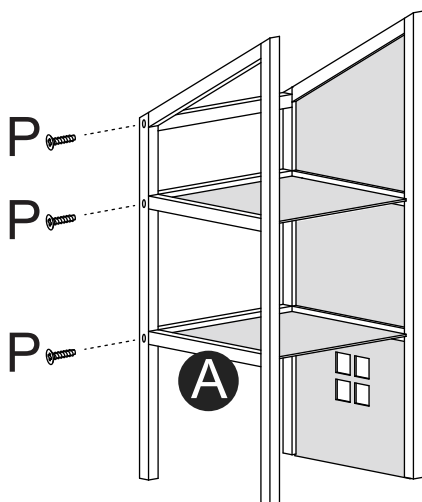
Line up two part **F** to the joint, attaching them with a screw **P** respectively.

03



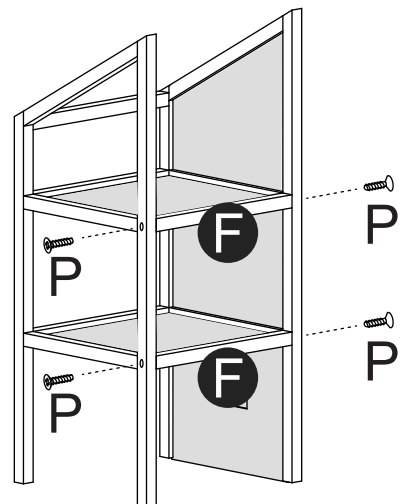
Insert two part **G** in to the joints.

04



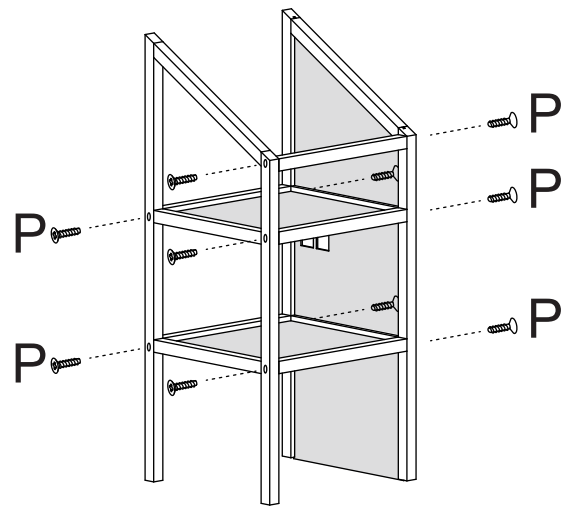
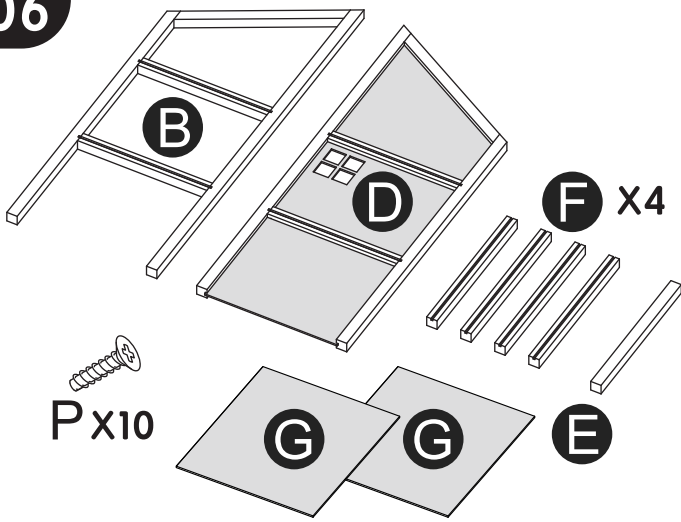
Connect part **A** with three screw **P**.

05



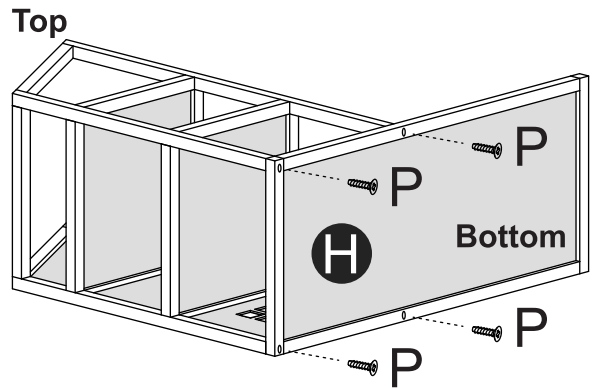
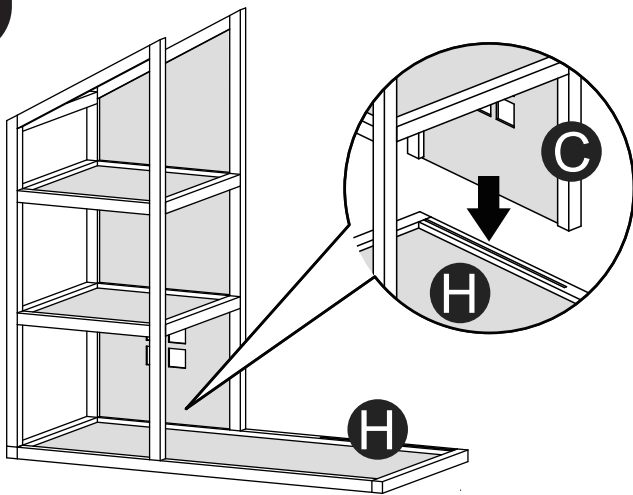
Insert two part **F** into part **G**.
 Connect part **F**, part **A** and part **C** by using four screw **P**.

06



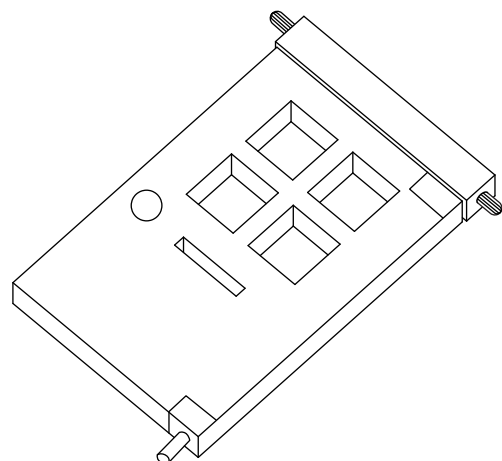
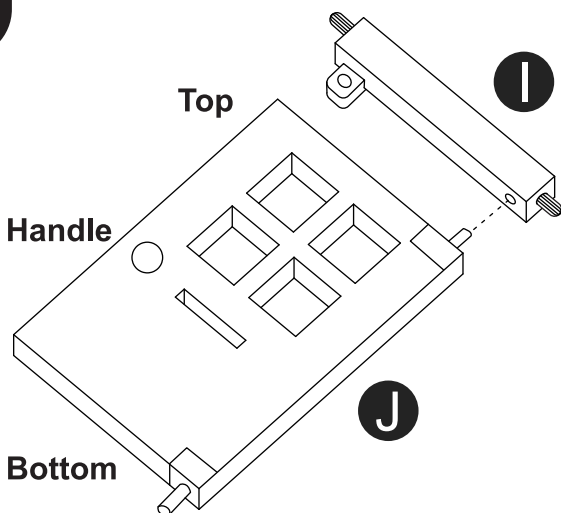
Repeat Steps 01-05 by using a part **B**, a part **D**, 4 part **F**, a part **E**, 2 part **G** and 10 screw **P** to build the right half of the doll house.

07



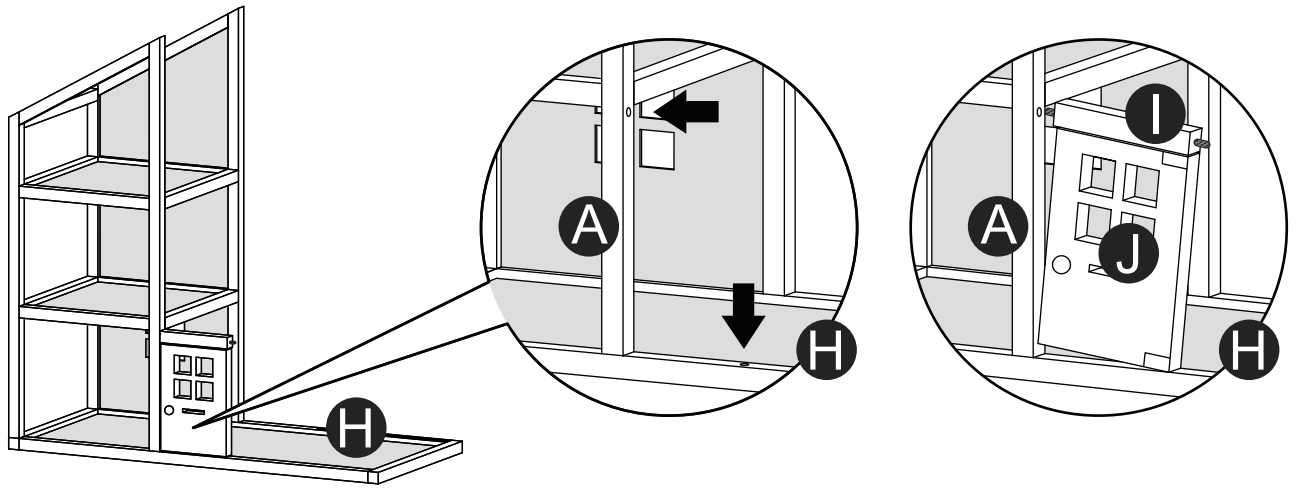
Lay flat the left half of the doll house. Attach it with the floor part **H** with 4 screw **P**. Part **C** should line up with the joint of part **H**.

08



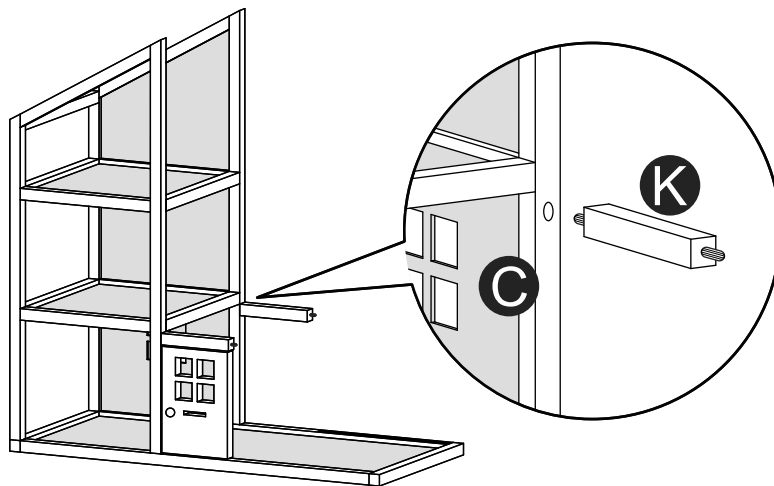
Snap the top of part **J** into part **I**.

09



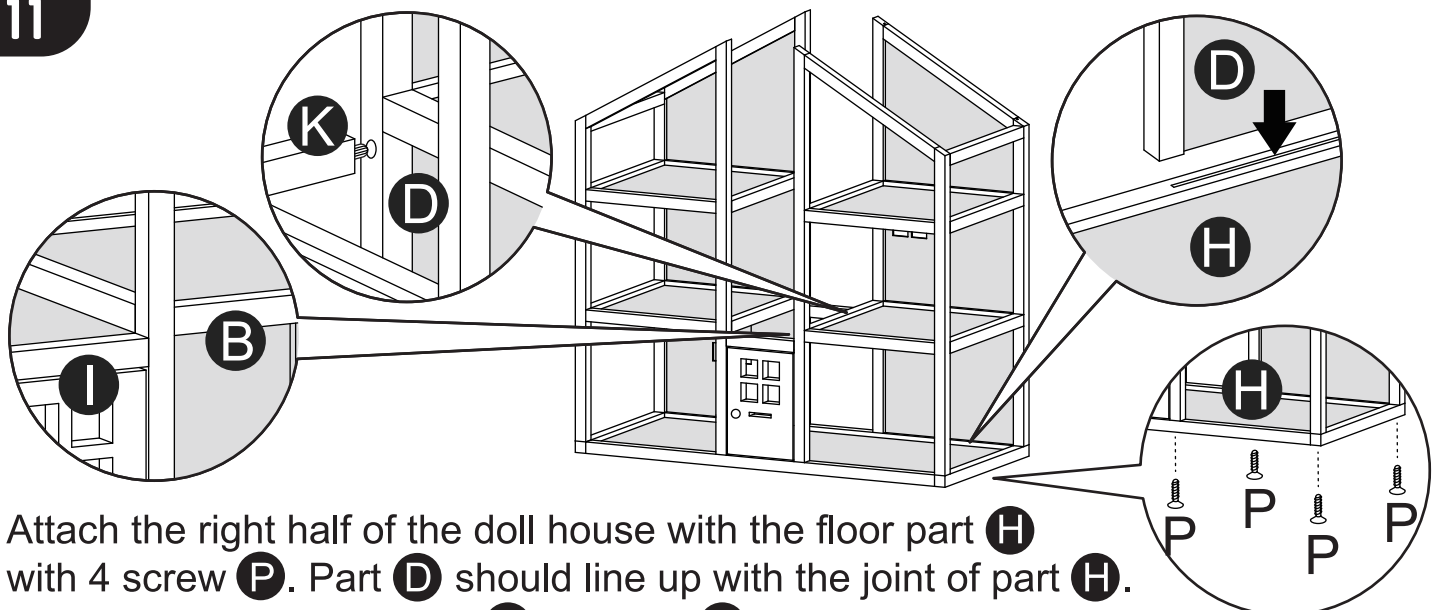
Snap the bottom of part **J** into the hole on part **H**. Snap the left side of part **I** into the hole on part **A**.

10



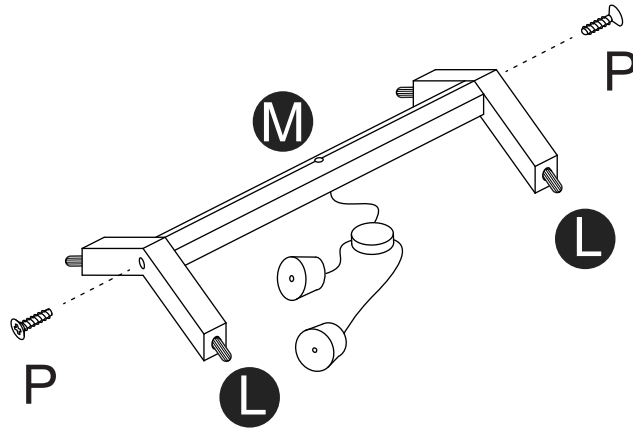
Snap the left side of part **K** into the hole on part **C**.

11



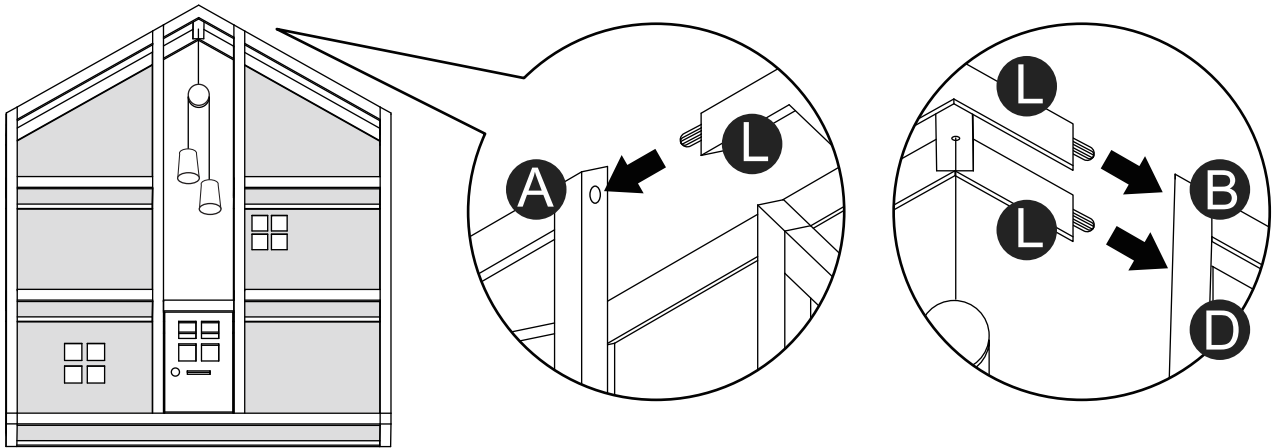
Attach the right half of the doll house with the floor part **H** with 4 screw **P**. Part **D** should line up with the joint of part **H**. Insert the right side of part **K** into part **D**.

12



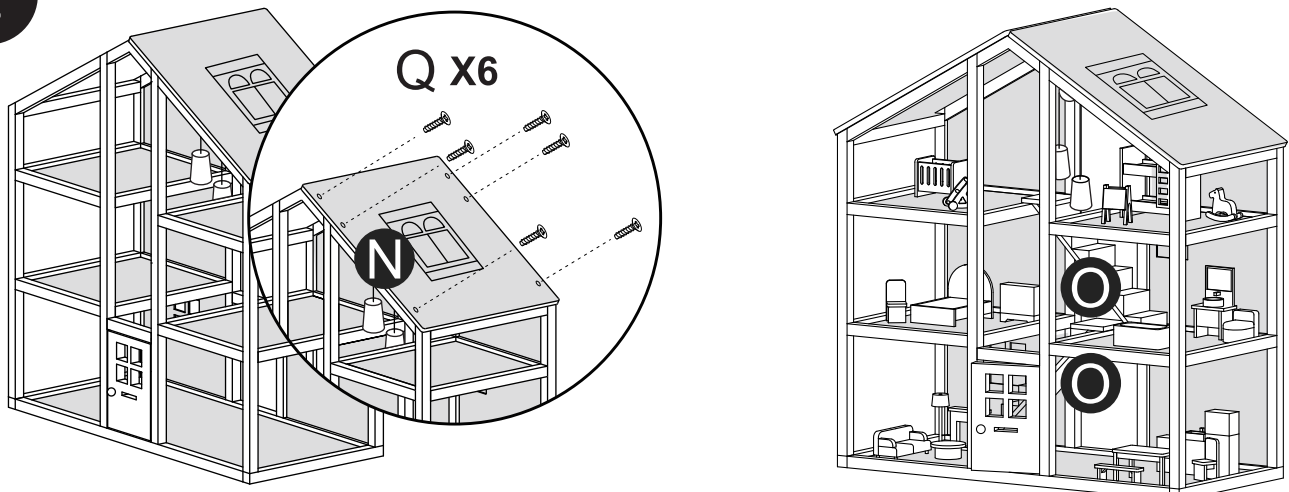
Attach part **L** to part **M** with 2 screw **P** to finish the roof beam.

13



Snap the roof beam into the holes of the house structure.

14



Attach part **N** on the roof with 6 screw **Q**. The four-screw-hole side should be on the top of the roof. The other side of the roof is the same. Decorate the house with part **O** and other accessories according to your desire.