

**⚠ WARNING**

**CHOKING HAZARD**

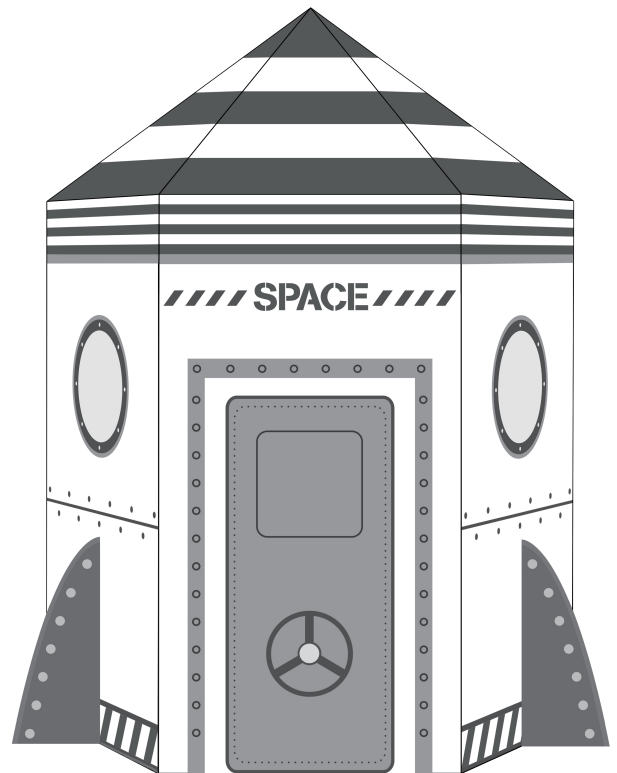
Small parts can be swallowed and block the airway. Do not allow children under the age of 3 to use this product. Use under adult supervision at all times.

**FIRE HAZARD**

Keep all flame and heat sources away from tent fabric.

**Assembly and usage guidelines:**

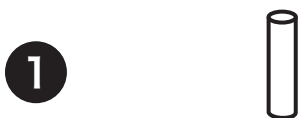
- Adult assembly required
- Adult supervision required at all times
- Ages 3+



Pole A -30 Pcs



Pole B -24 Pcs



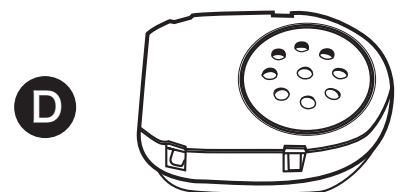
Connector Tubes -30 Pcs



Connector Tubes -6 Pcs



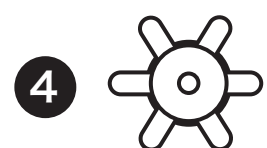
Connector Tubes -6 Pcs



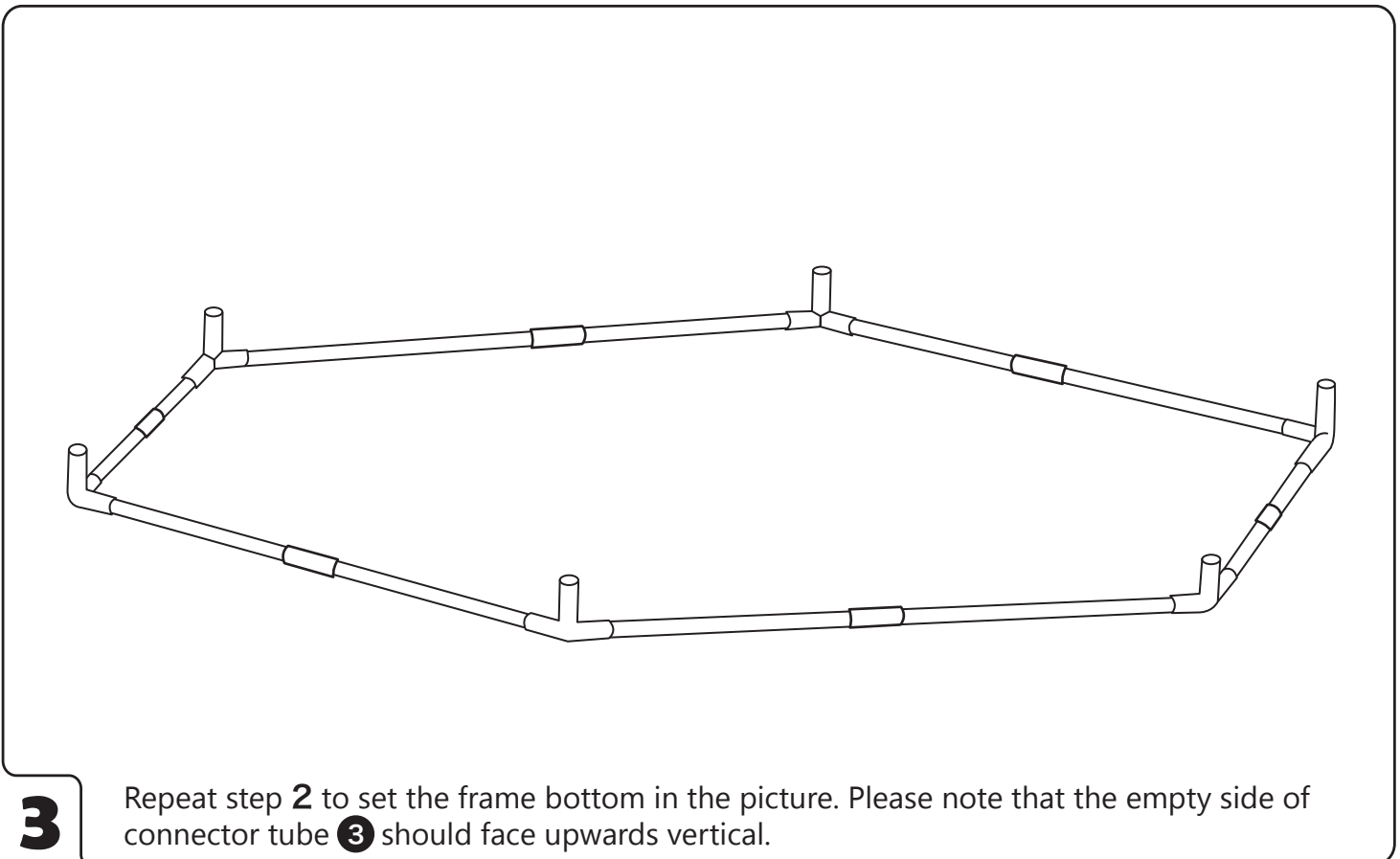
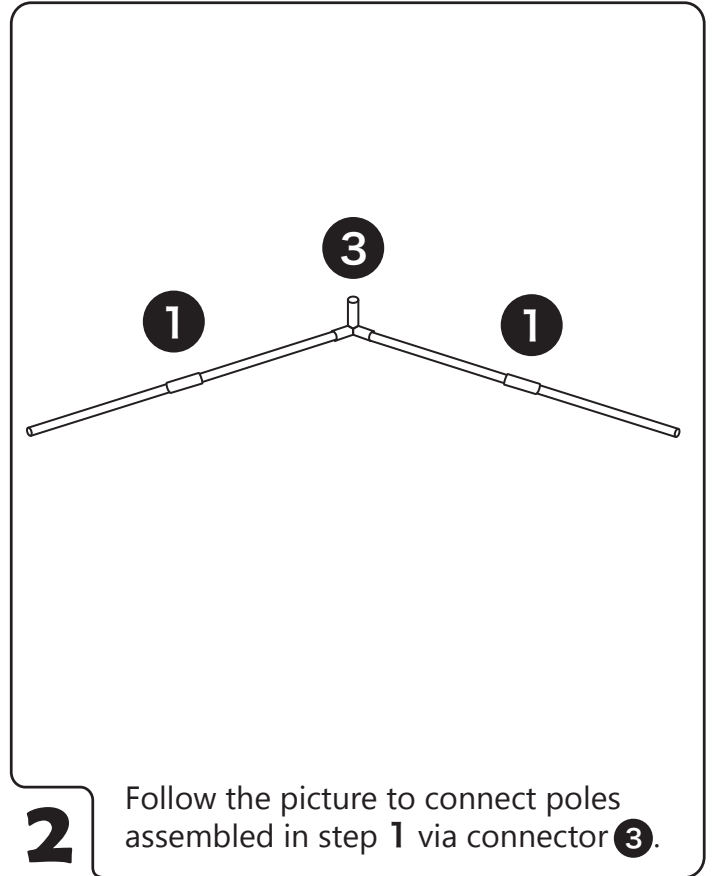
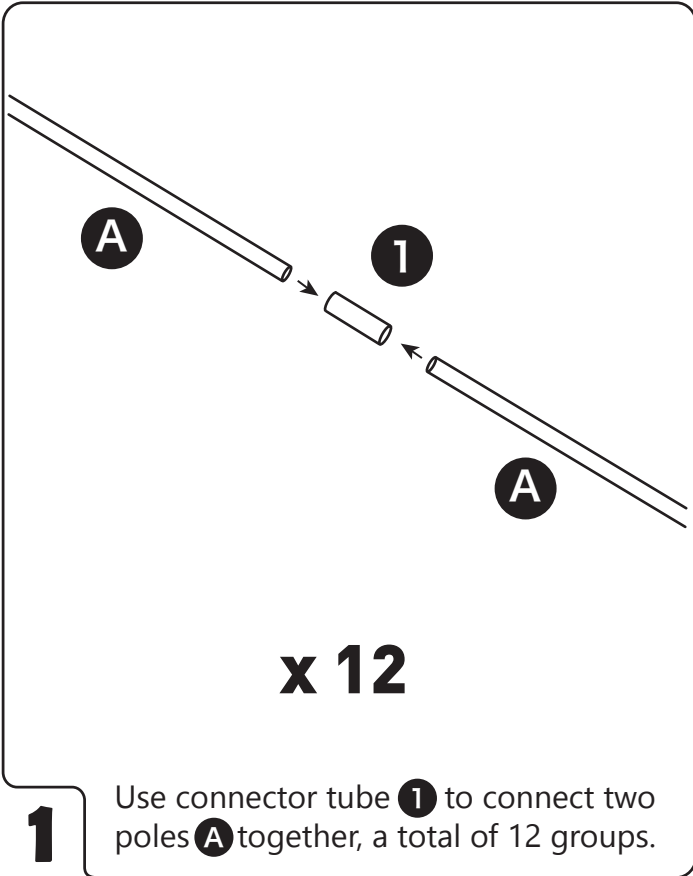
Sounder



Fabric Cover



Connector Tubes

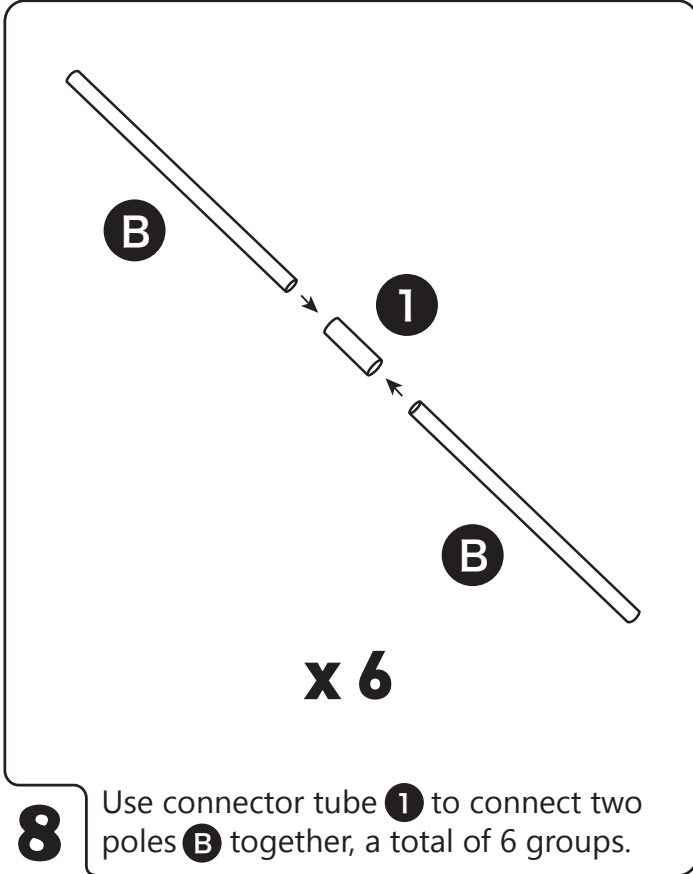


**4** Use two **1** connectors to connect 2 Poles **B** to 1 Pole **A** as shown, a total of 6 groups.

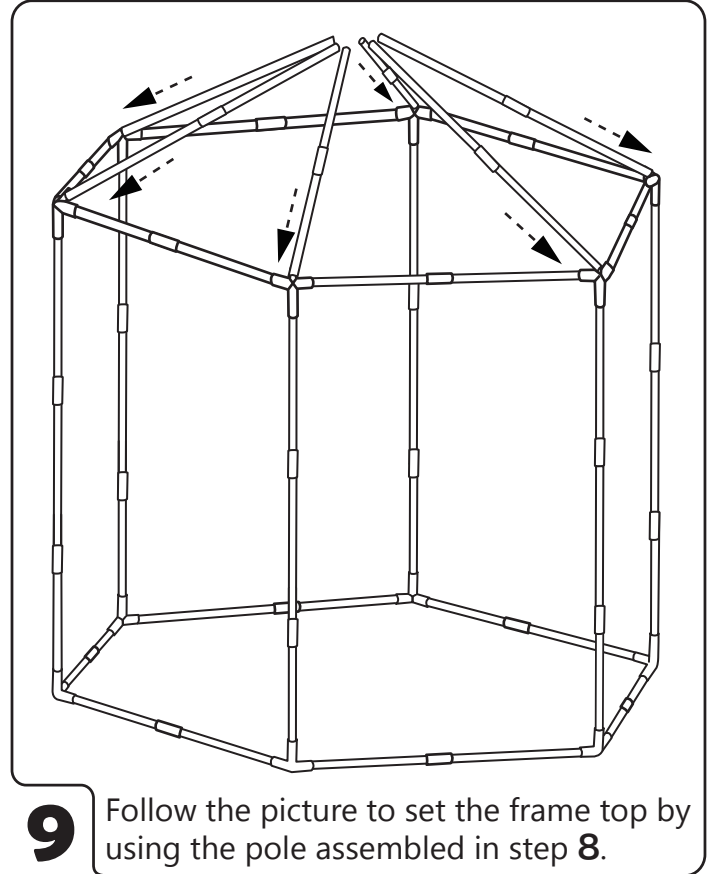
**5** Follow the picture to connect poles assembled in step 4 with the longest end of connector **2**.

**6** Follow the picture to vertically insert the poles assembled in step 5 on the frame bottom.

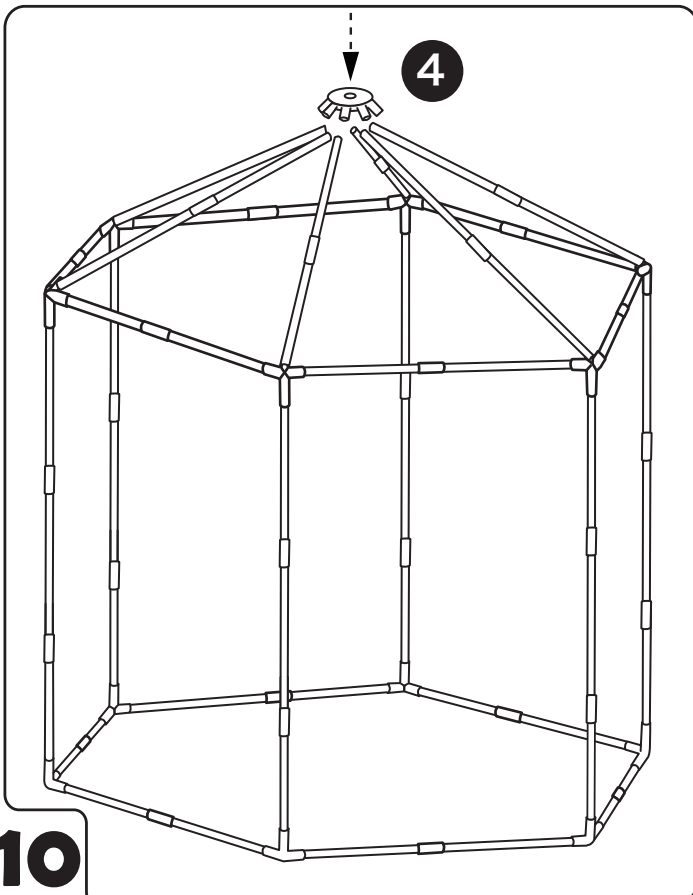
**7** Follow the picture to connect connector **2** with poles assembled in step 1.



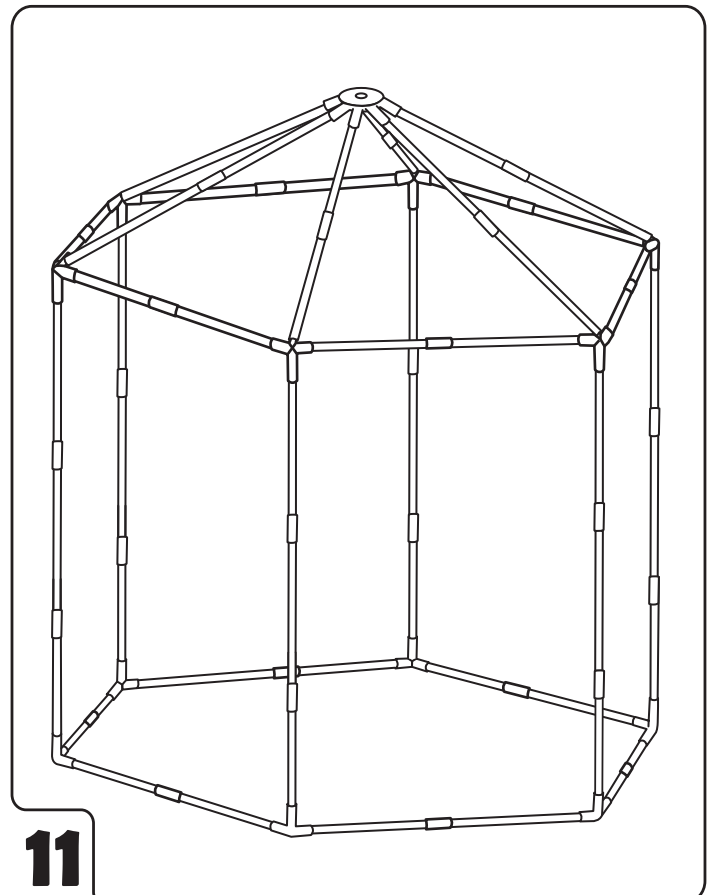
**8** Use connector tube **1** to connect two poles **B** together, a total of 6 groups.



**9** Follow the picture to set the frame top by using the pole assembled in step 8.



**10**



**11**

