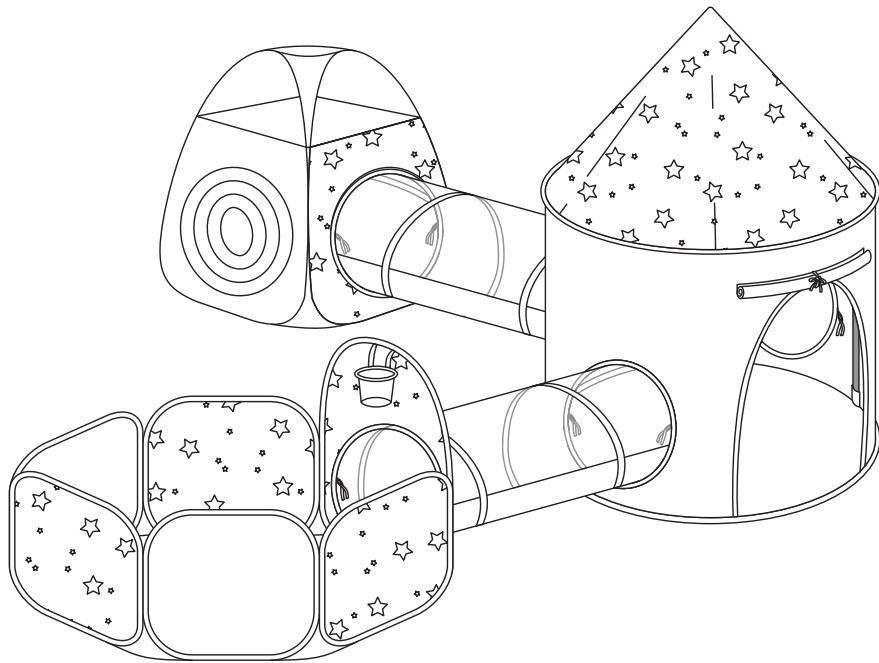


3 YEARS+


TINY LAND



Play Tunnel Set

ASSEMBLY INSTRUCTIONS



WARNING:

NEVER leave the child unattended.
Stay near and watch child during use.

CHOKING HAZARD: SMALL PARTS

**Not for children under 3 years old.
Adult assembly required.**

- This product is suitable for children 36 months +.
- Before giving the item to the children, remove and dispose of all packaging materials that are not part of the item and keep these out of reach of children.
- Check the product regularly for signs of wear and tear.
- Do not use the product if any part is broken, damaged, or missing.

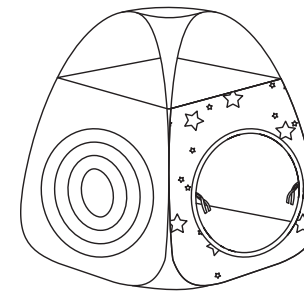
CONTENTS



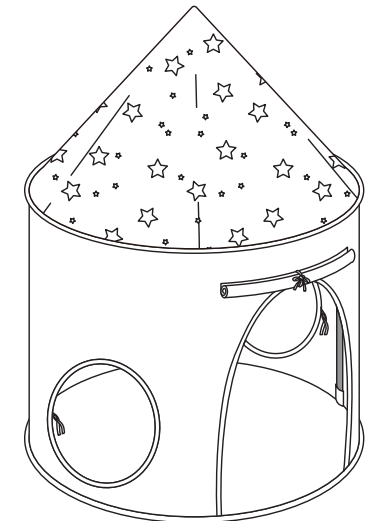
Carry Bag X1



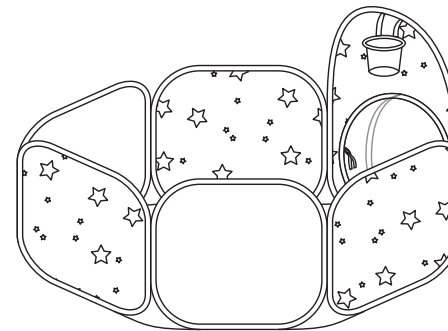
Fiberglass Poles X4



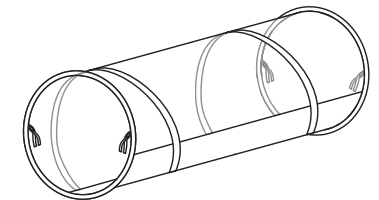
Pop Up Tent X1



Castle Tent X1

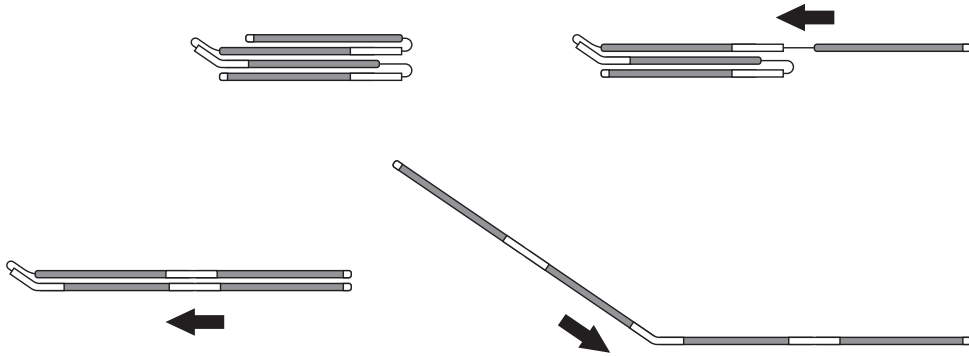


Ball Pit X1



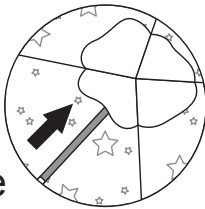
Crawl Tunnel X2

01 Assemble 4 fiberglass poles.

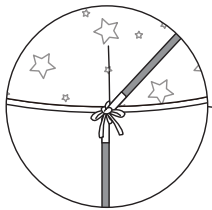


02 Repeat the below installation of 4 poles.

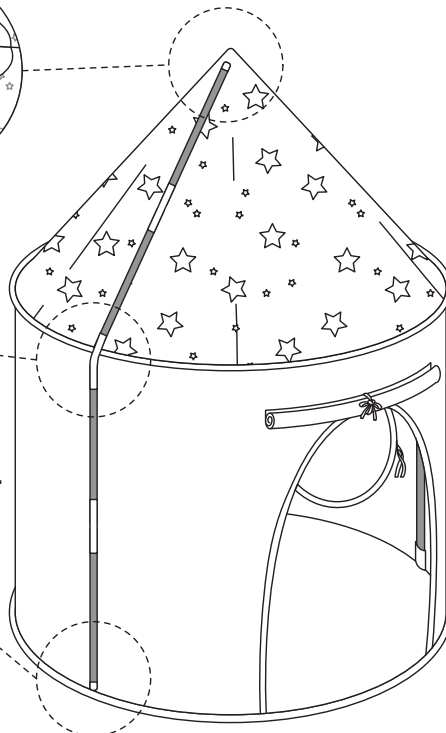
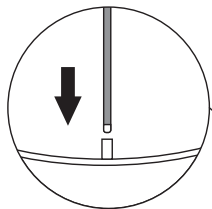
2 Insert the red end of the pole into the top pocket.



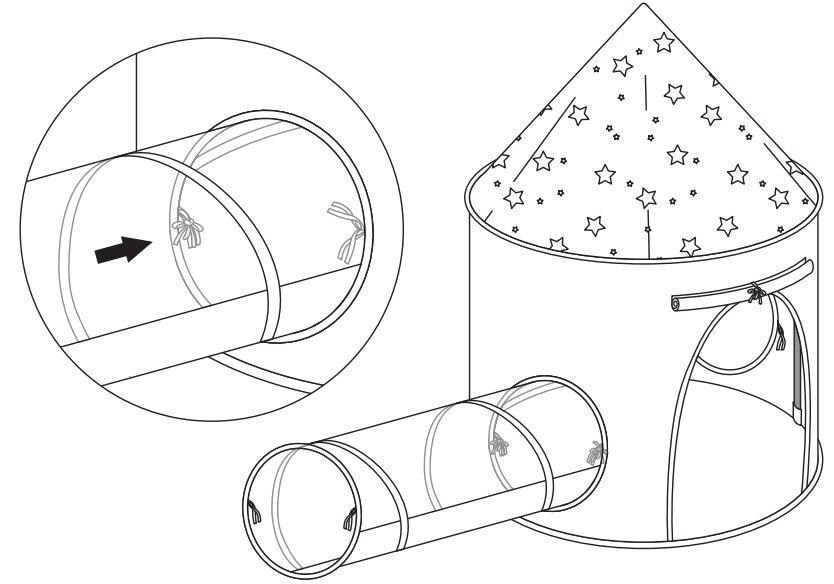
3 Secure the pole with ties.



1 Insert the black end of the pole into the bottom pocket.



03



04

