



⚠️ WARNING

CHOKING HAZARD

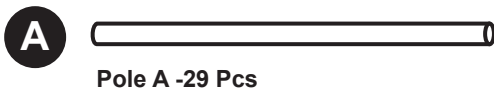
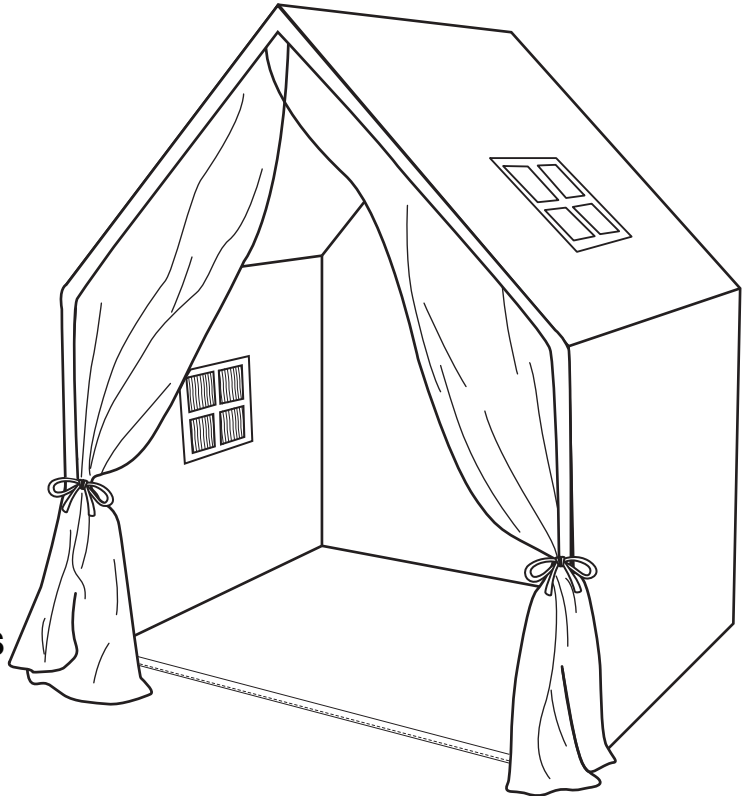
Small parts can be swallowed and block the respiratory tract. Do not allow children under the age of 3 to use this product. Use under adult supervision at all times.

FIRE HAZARD

Keep all flame and heat sources away from tent fabric.

ASSEMBLY AND USAGE GUIDELINES

- Adult assembly required
- Adult supervision required at all times
- Ages 3+



Pole A -29 Pcs



Fabric Cover



Pole B -3 Pcs



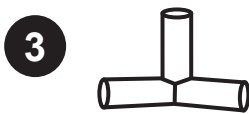
Pole Sleeve -1 Pcs



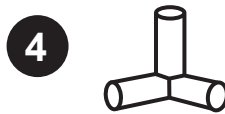
Connector Tubes -15 Pcs



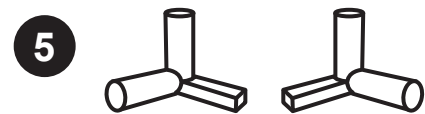
Connector Tubes -2 Pcs



135°
Connector Tubes -4 Pcs



90°
Connector Tubes -4 Pcs

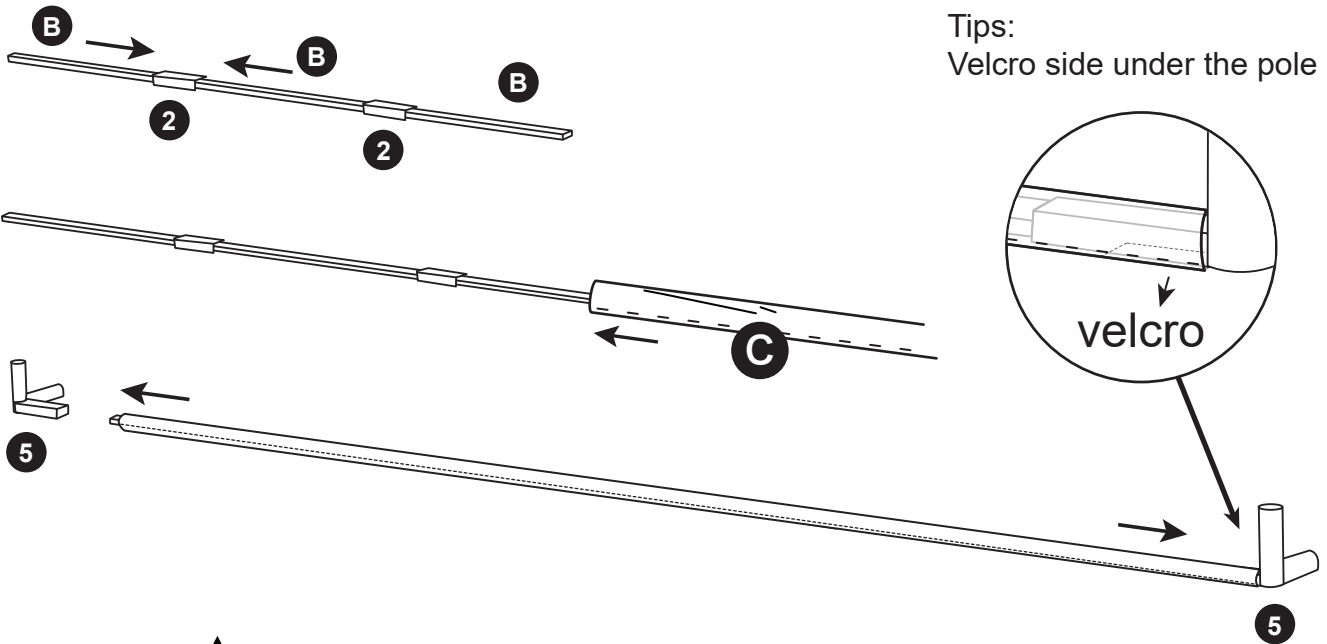


Connector Tubes -2 Pcs





1

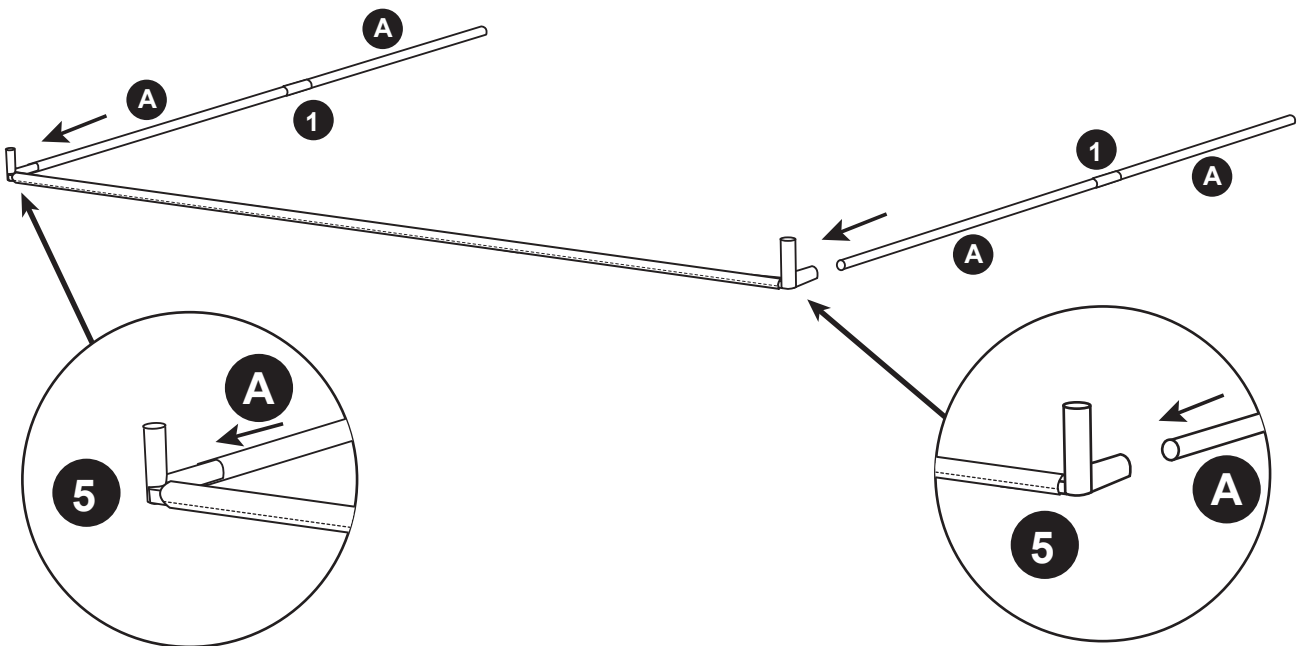


Tips:
Velcro side under the pole



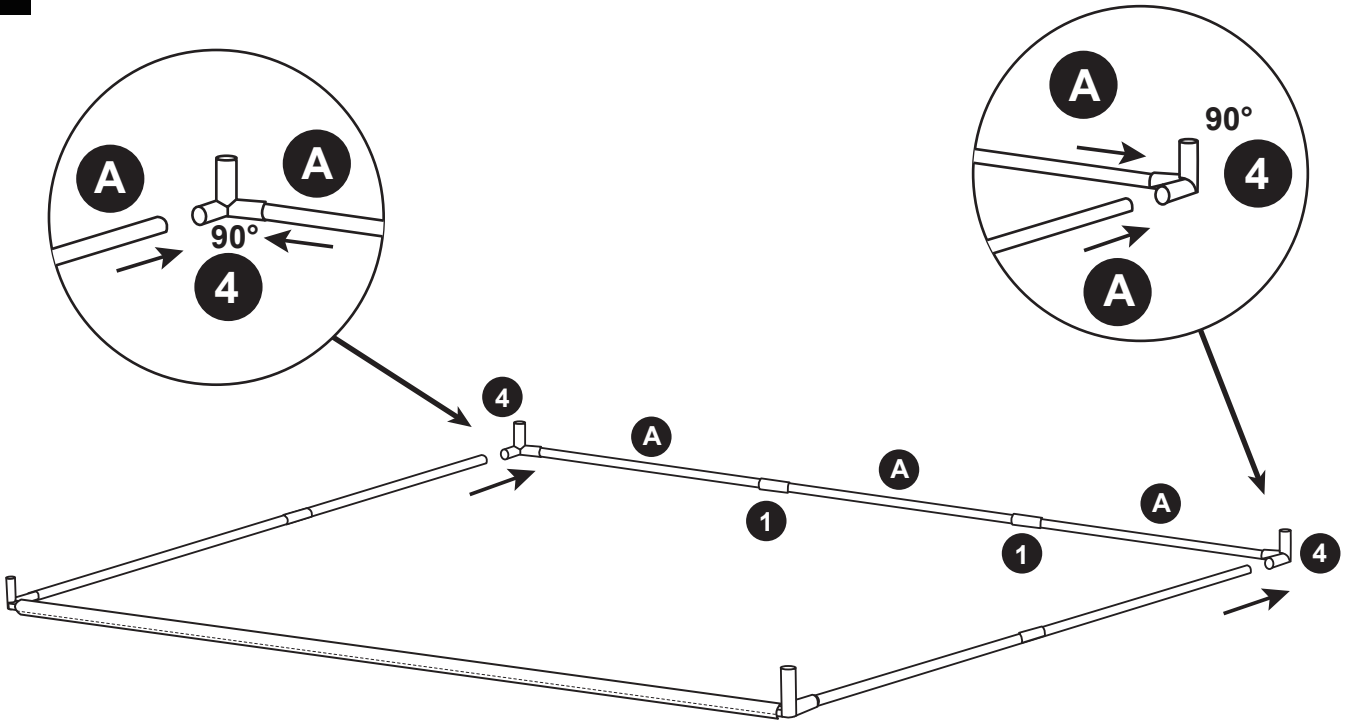
Note: The parts 5 are distinguished between left and right.

2

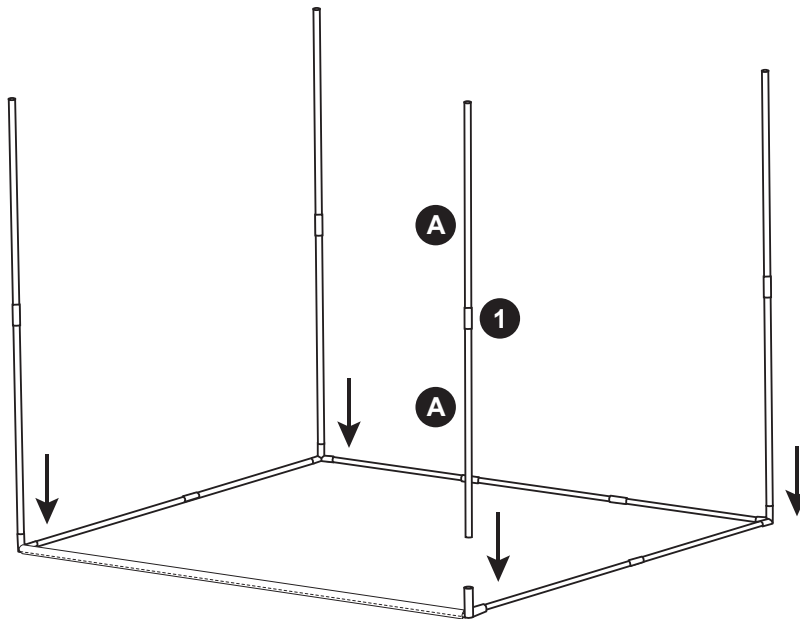




3



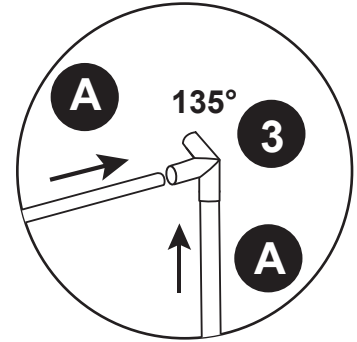
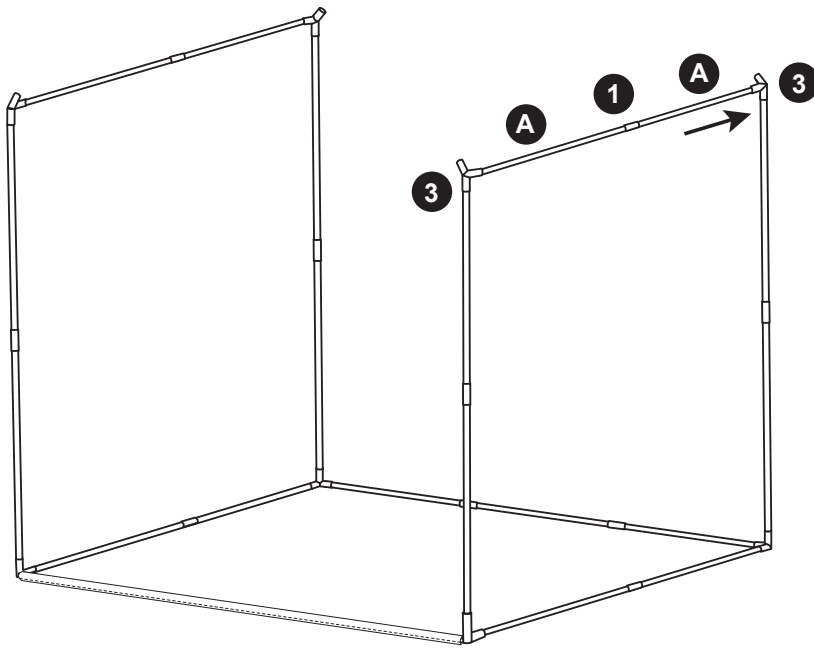
4



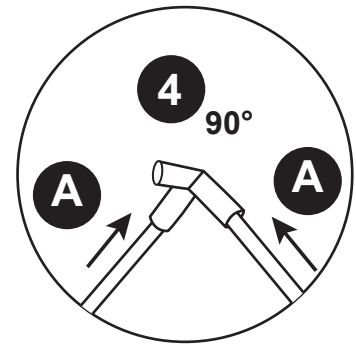
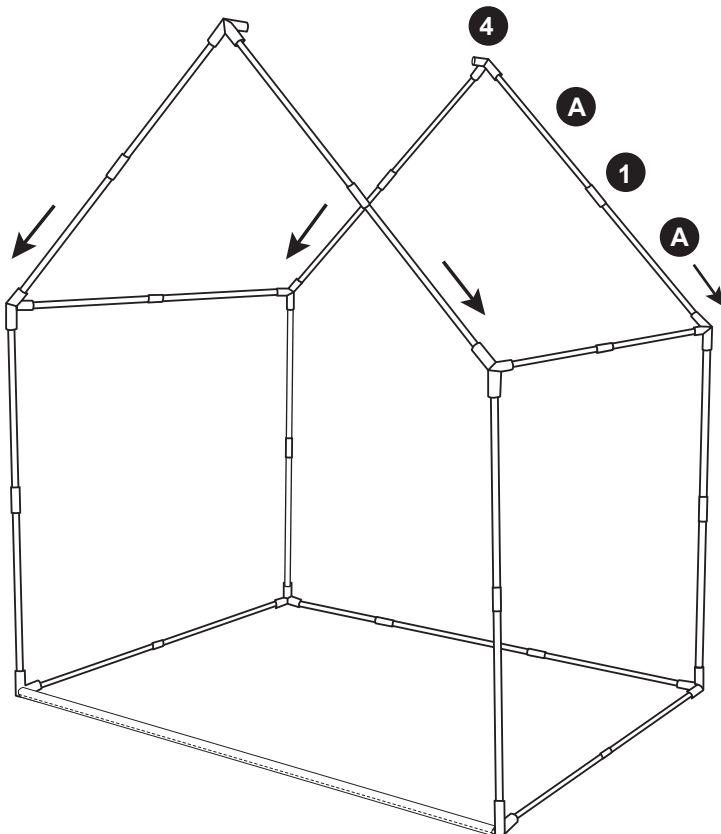


TINY LAND

5

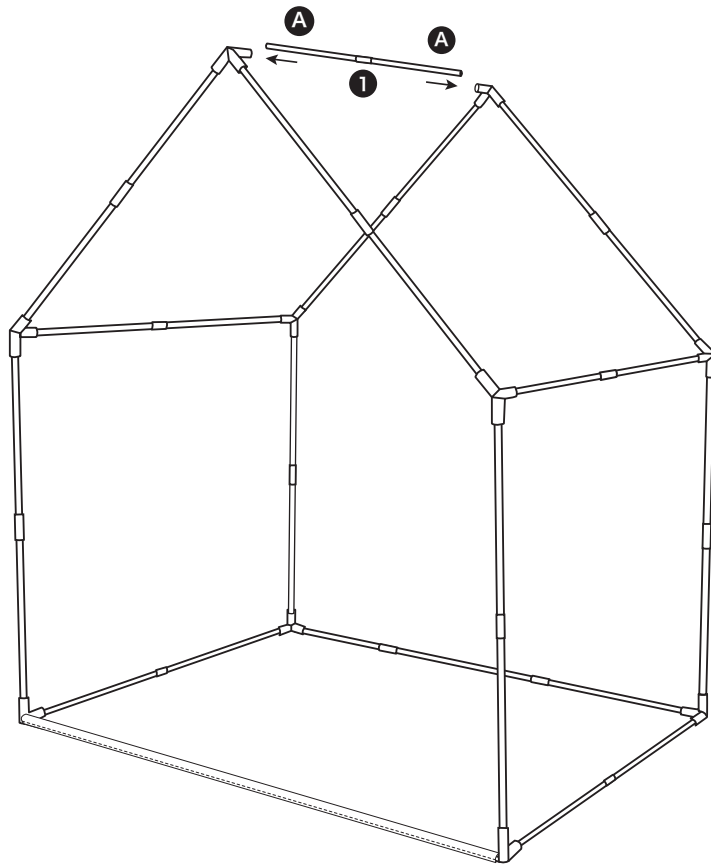


6

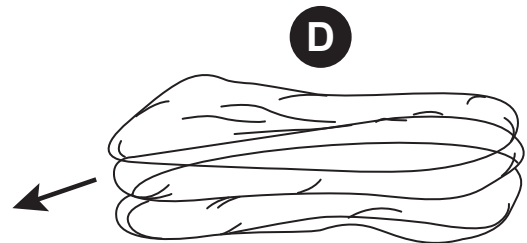
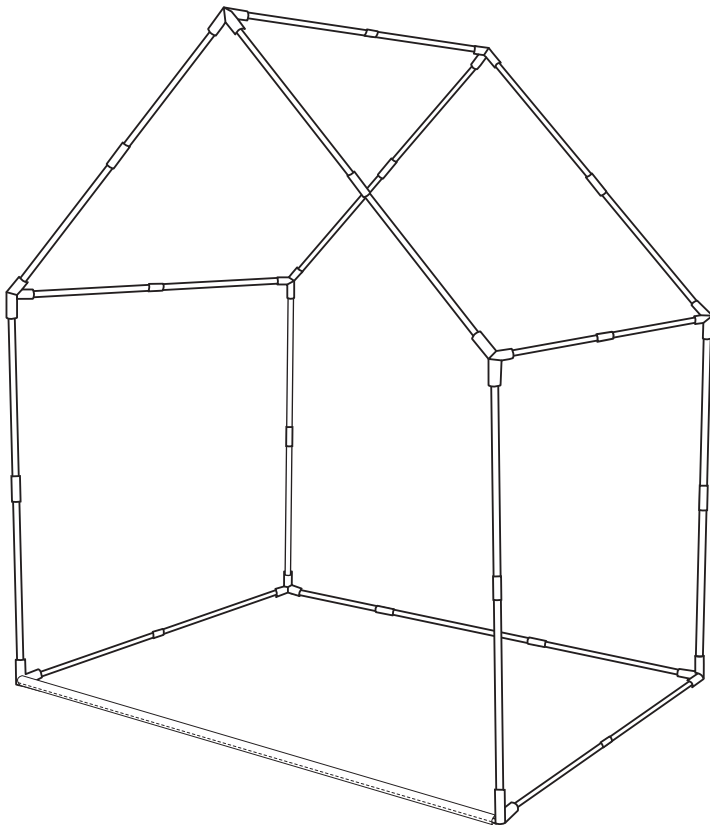




7



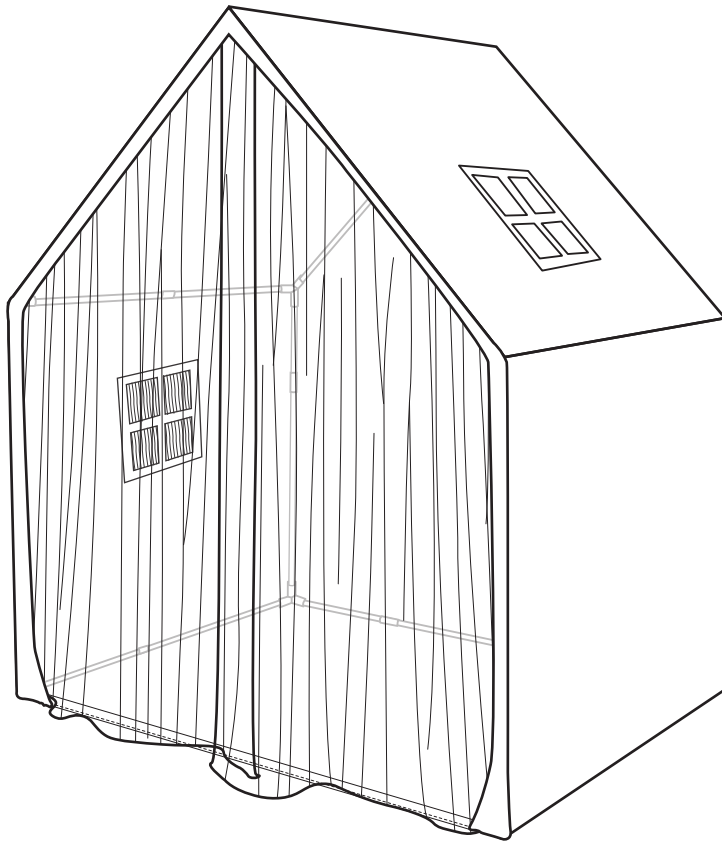
8



Follow the picture to fix the fabric cover **D** on the frame.

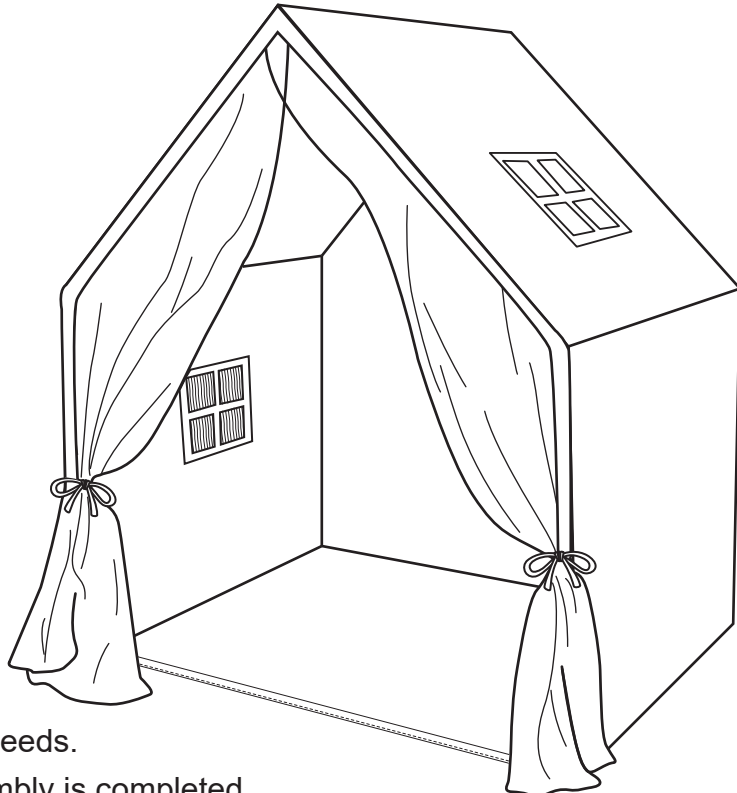


9



Connect the tent's bottom Velcro to the Velcro on the pole's bottom.

10



Tie the curtain according to your needs.
As shown in the picture, the assembly is completed.