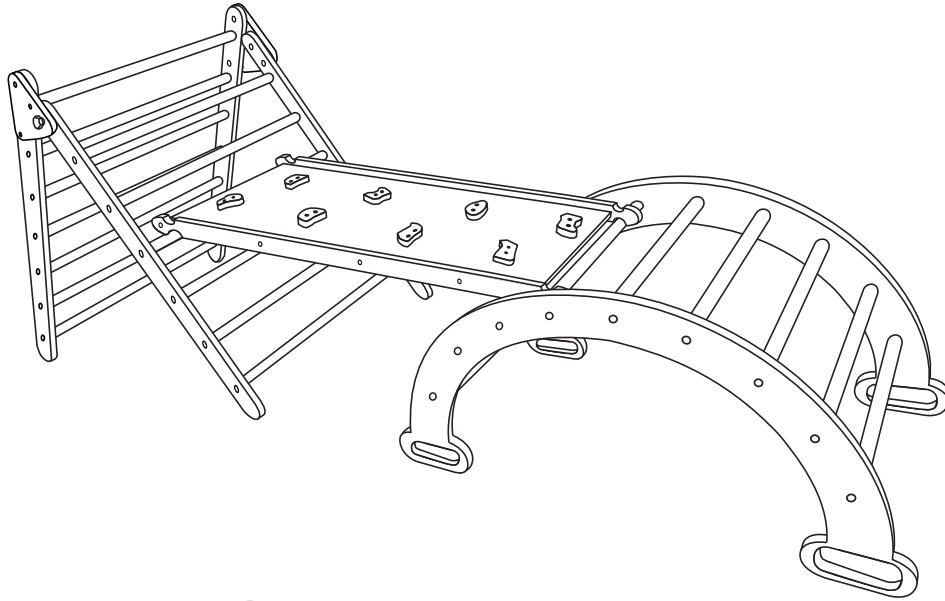




TINY LAND

Climbing Playset

Assembly Instruction



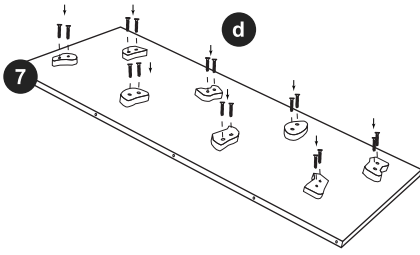
WARNING:

Not for children under 2 years. Adult assembly only.
Using align key is required when assembling.
There may be small parts and sharp objects while assembling.

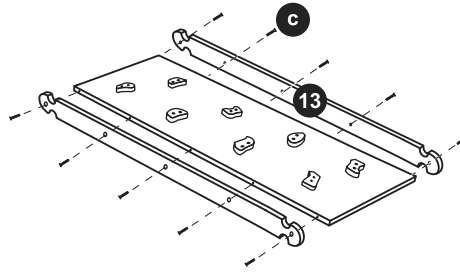
Before using this product, please read the instruction carefully and keep it safe for future reference. Failure to follow the instruction may result in damage to the product and put your baby at risk.

CONTENTS

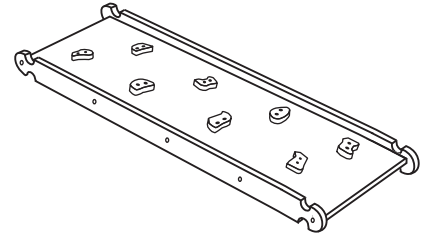
1 	2 	3 	4 	5A 	5B 	6 X2 	13 X2
7 	8 X13 2.5x63cm	9 X9 2.5x50cm	10 	11 	12 X2 		
14 	15 	16 	17 	18 	19 		
20 	21 	a X6 	b X6 6x25mm	c X54 6x48mm	d X16 4x28mm		

01**14** ~ **21** **d** X16

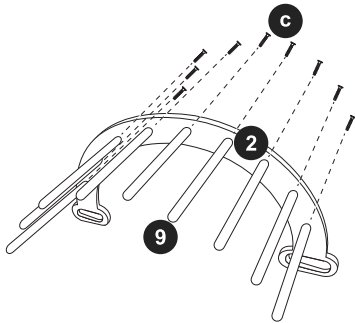
Place all the blocks randomly on the '7' board and screw each one using two 'd' screws.

02**c** X10 **13** X2

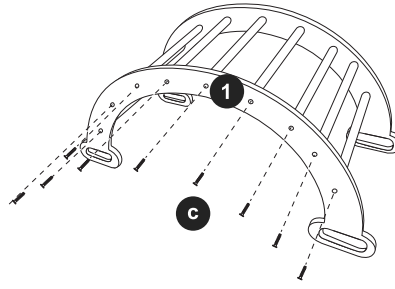
Place and fasten two '13' pillars on both sides of the ladder. Screw and tighten 5 'c' screws on each side.

03

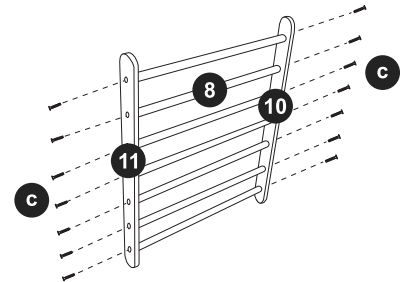
Once everything is fastened tightly, place the climbing board on a flat place.

04**c** X9 **9** X9

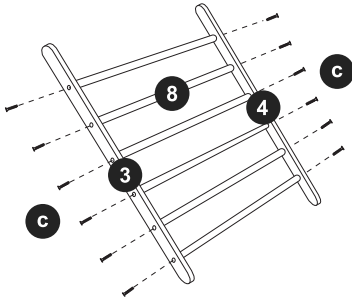
Place and fasten the provided poles on the arch with 9 'c' screws.

05**c** X9

Repeat the same step for the other side of the arch.

06**c** X14 **8** X7

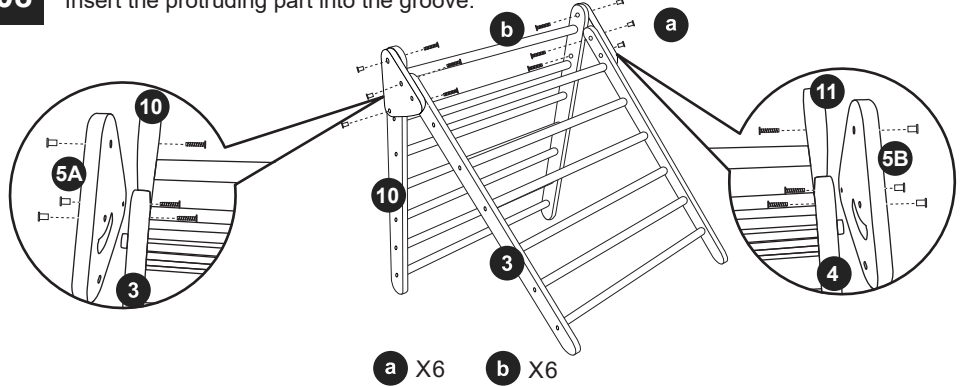
Place and tighten 7 'c' screws on each side of the ladder.

07**c** X12 **8** X6

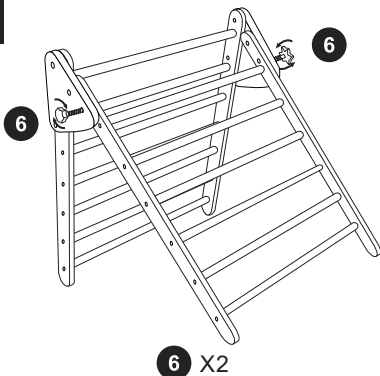
Repeat the same step for the other side of the ladder.

08

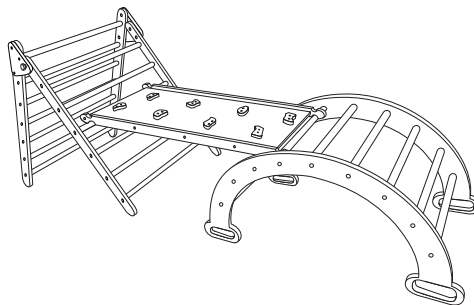
Insert the protruding part into the groove.

**a** X6 **b** X6

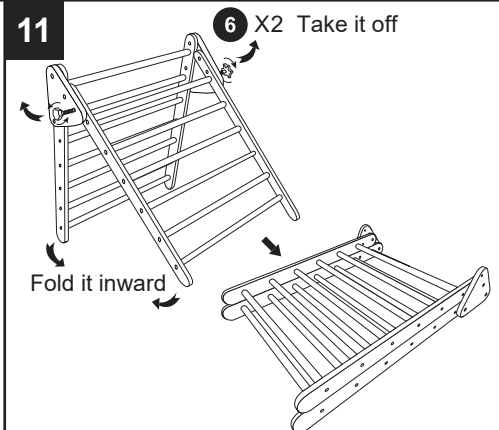
Place 3 'b' screws on each inner side and tighten the cat lock with the 'a' plastic plugs and repeat the same step to complete the ladder.

09**6** X2

Place and tighten two '6' screws on both sides of the ladder.

10

Place and fasten the climbing board between the ladder and the arch to complete assembly.

11**6** X2 Take it off

Fold it as shown when not in use.