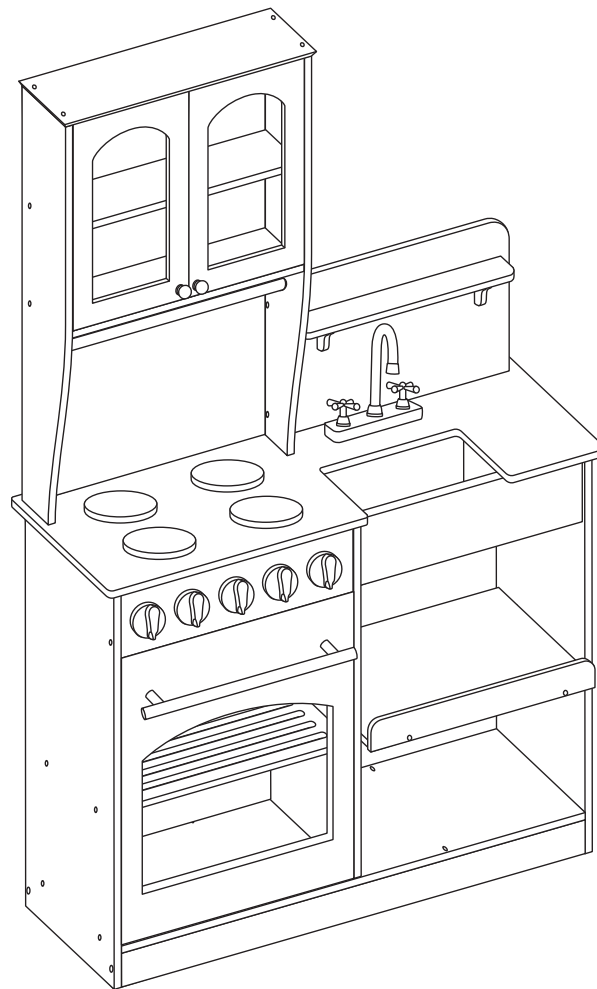


3 YEARS+



TINY LAND



Play Kitchen

ASSEMBLY INSTRUCTIONS

WARNING :

Avertissement: Risque d'étouffement - petites pièces.
Pas pour les enfants de moins de 3 ans.
Assemblage par un adulte requis.

Warnung: Erstickungsgefahr - Kleinteile.
Nicht für Kinder unter 3 Jahren.
Montage durch Erwachsene erforderlich.

**Choking hazard - small parts.
Not for children under 3 years old.
Adult assembly required.**

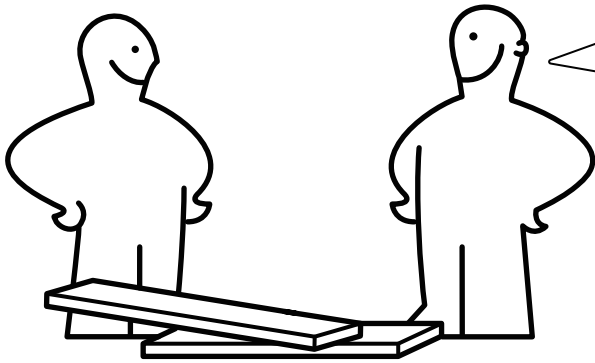
Avvertimento: Pericolo di soffocamento - piccole parti.
Non per bambini sotto i 3 anni.
È richiesto il montaggio di un adulto.

Advertencia: Peligro de asfixia: piezas pequeñas.
No para niños menores de 3 años.
Requiere montaje por adulto.

Thank you!

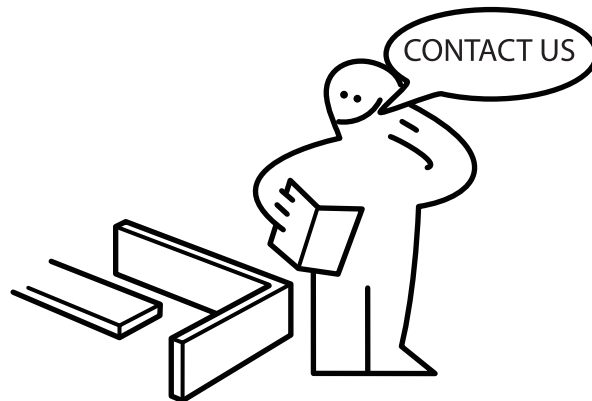
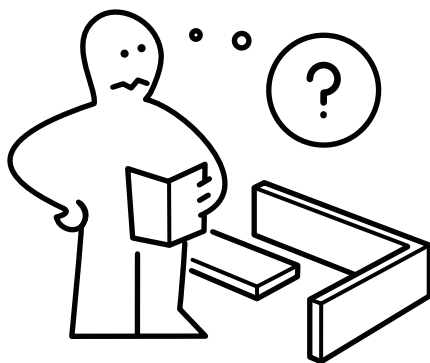
Thank you for choosing the Tiny Land Play Kitchen! It's a terrific way to help nurture a child's creativity and imagination and to inspire story-telling and independent play for years to come.

IMPORTANT INFORMATION-PLEASE READ FIRST.



⚠️ WARNING

- Do not over-tighten screws when assembling.
- When assembling a part using several screws, please align them with the corresponding holes and gently tightening them first. Ensure that all screws are properly aligned and secured and then proceed to gradually tighten each one.
- Laying out all accessories on a hard, flat, and level surface for installation.
- Please follow the instructions step-by-step.



Without your product review, we don't exist.

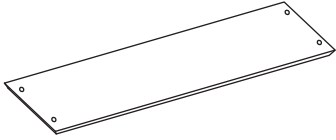
We hope you are satisfied with your purchase and we would love to hear about it. Your product review helps us continue providing the best quality product for all valued customers.

If you feel hard to assemble the toy or there is any other problem that makes you feel unhappy with the product, please contact us customer_care@tinylandus.com. We are glad to do our best to solve your problem and provide a solution to your satisfaction.

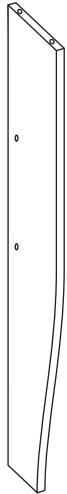
We appreciate your purchase and look forward to hearing from you.

CONTENTS

1 X1



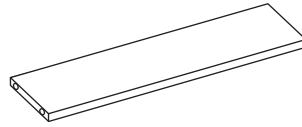
2 X1



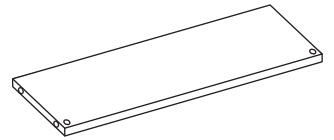
3 X1



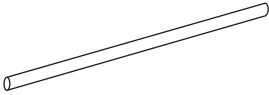
4 X1



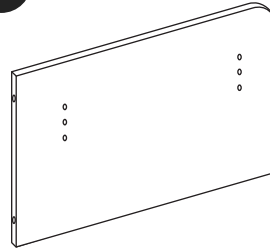
5 X1



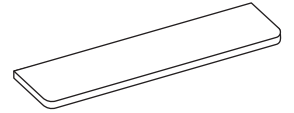
6 X1



7 X1



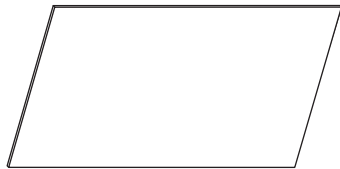
8 X1



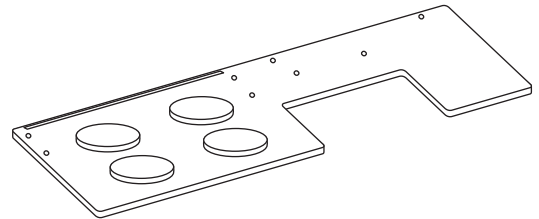
9 X2



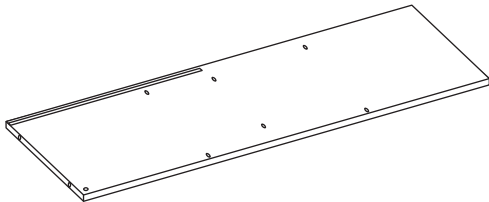
10 X1



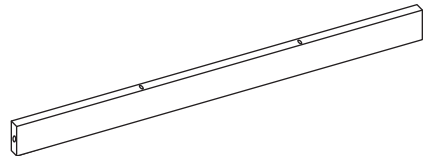
11 X1



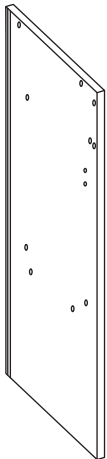
12 X1



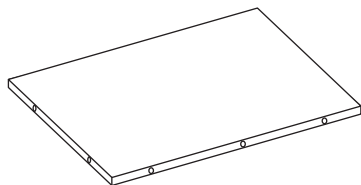
13 X2



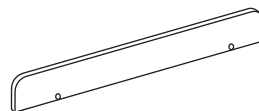
14 X1



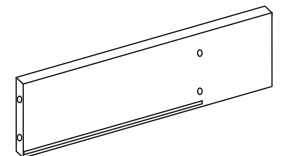
16 X1



17 X1



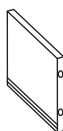
18 X1



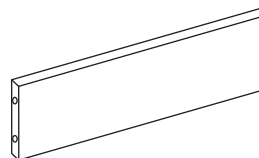
15 X2



19 X1



20 X1

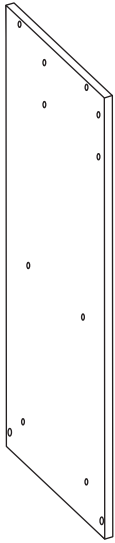


21 X1

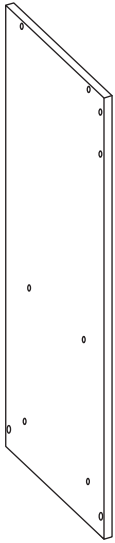


CONTENTS

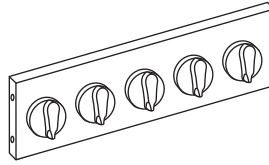
22 X1



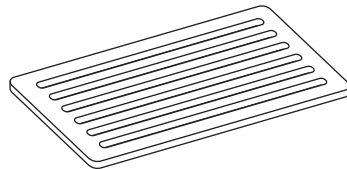
23 X1



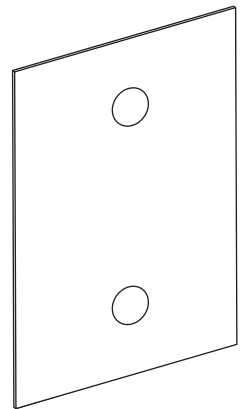
24 X1



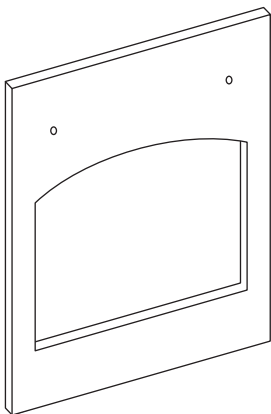
25 X1



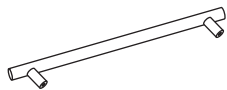
26 X1



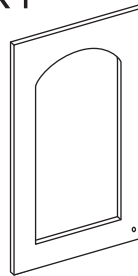
27 X1



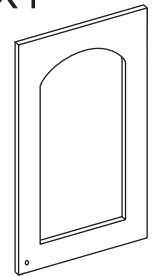
28 X1



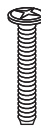
29 X1



30 X1



AX60



∅4x30

BX2



∅4x20

CX2



∅3x16

DX6



∅4x10

EX26



∅3x8

FX13



GX2



∅4x18

HX3



H1



H2

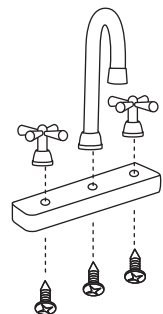
IX1



JX6



KX1



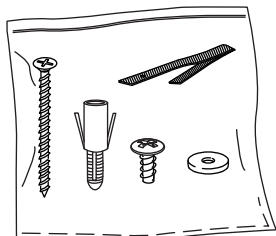
LX6



MX2



NX1

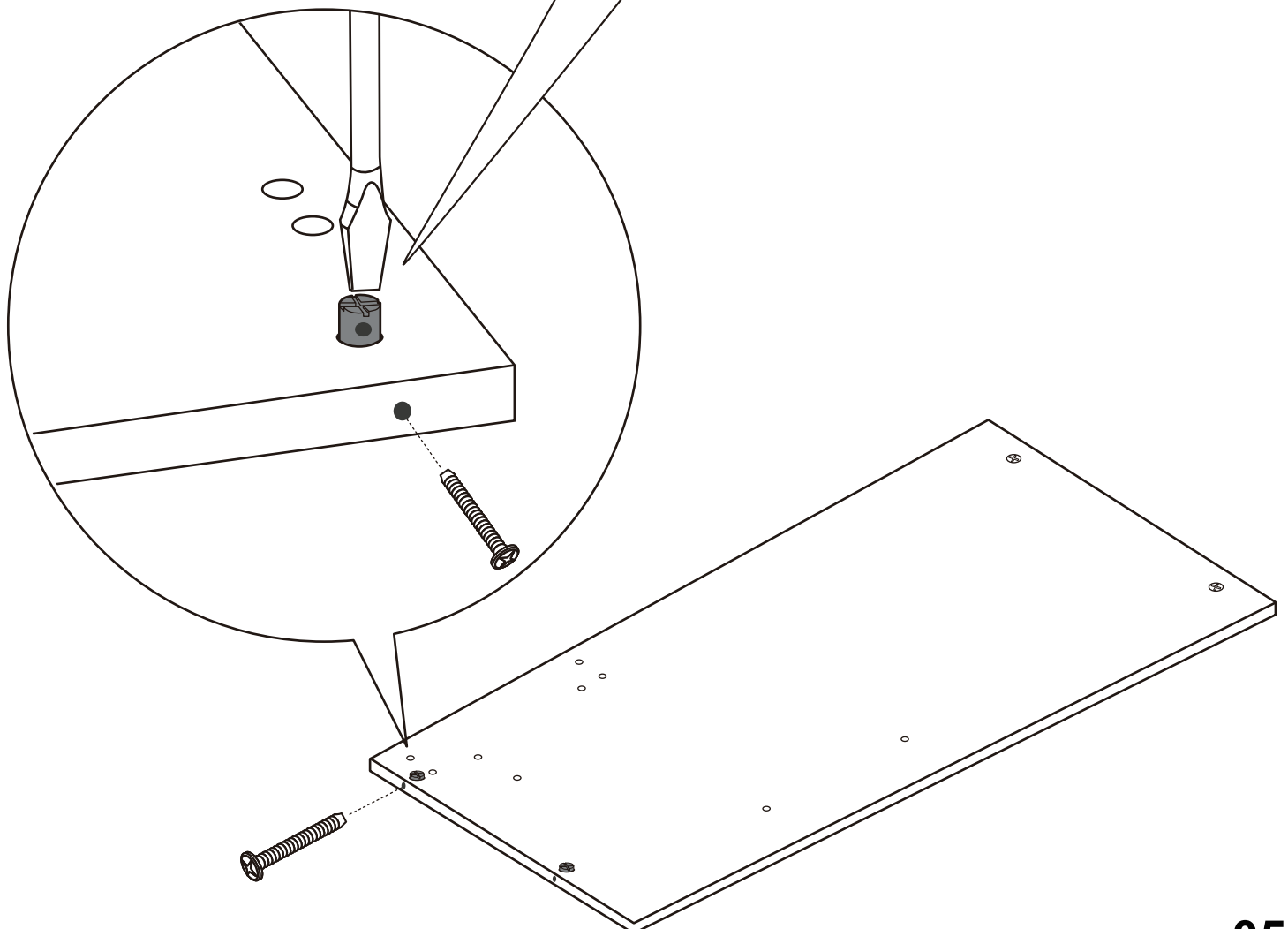


Helpful Hints and Tips

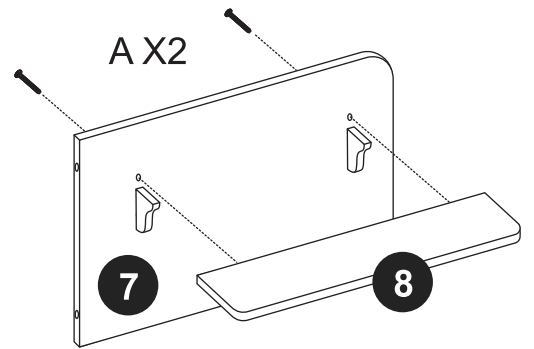
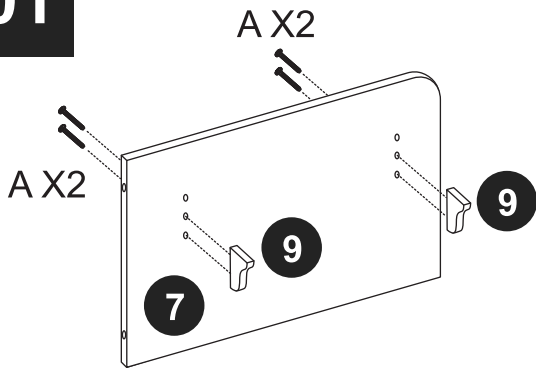
- Note: Some hardware packages may include extra pieces.
- To assemble the kitchen, you will need a Phillips head screwdriver and a slotted screwdriver.



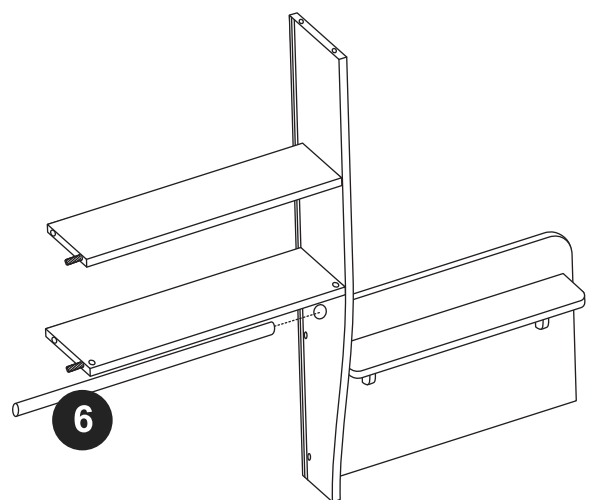
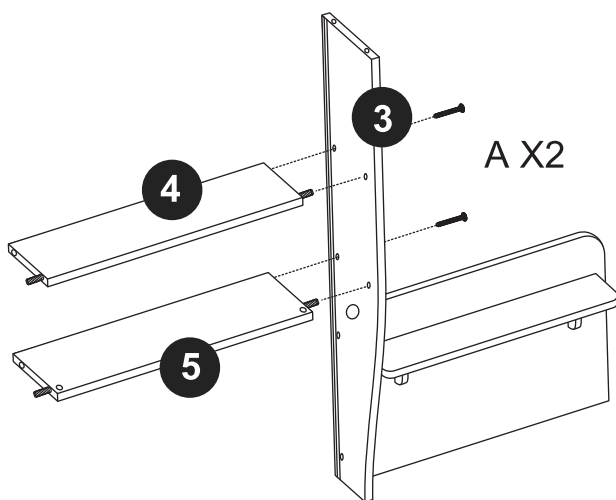
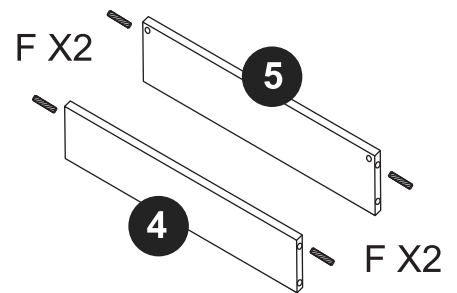
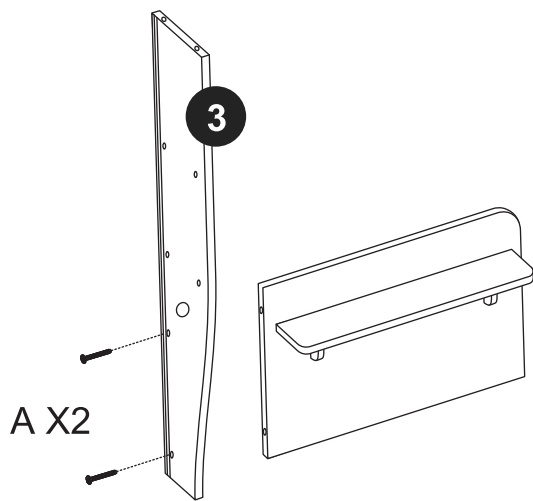
IMPORTANT: Barrel nuts and screws are used to join the main wood panels together. The barrel nuts have been pre-aligned at the factory to facilitate easy assembly with the screws. If any barrel nuts have shifted during shipping, use a slotted screwdriver to realign them.



01



02

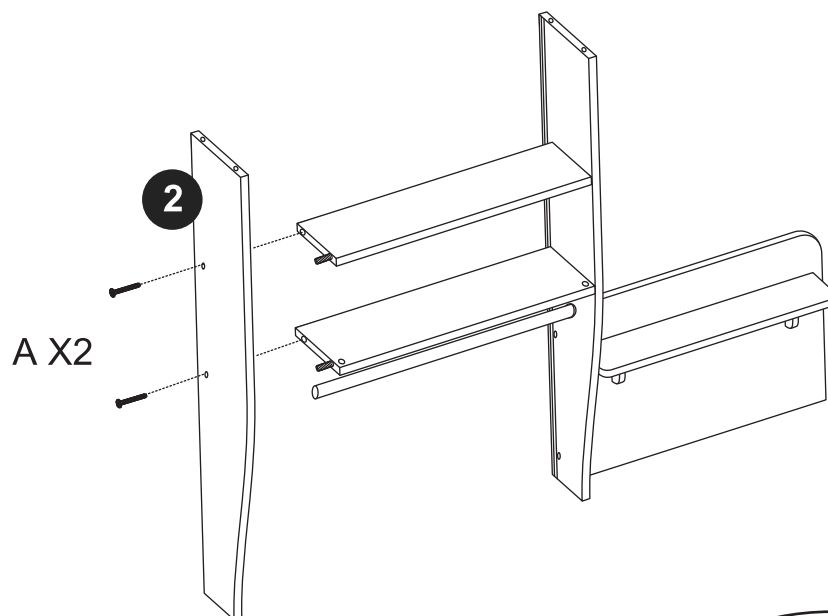


Note:

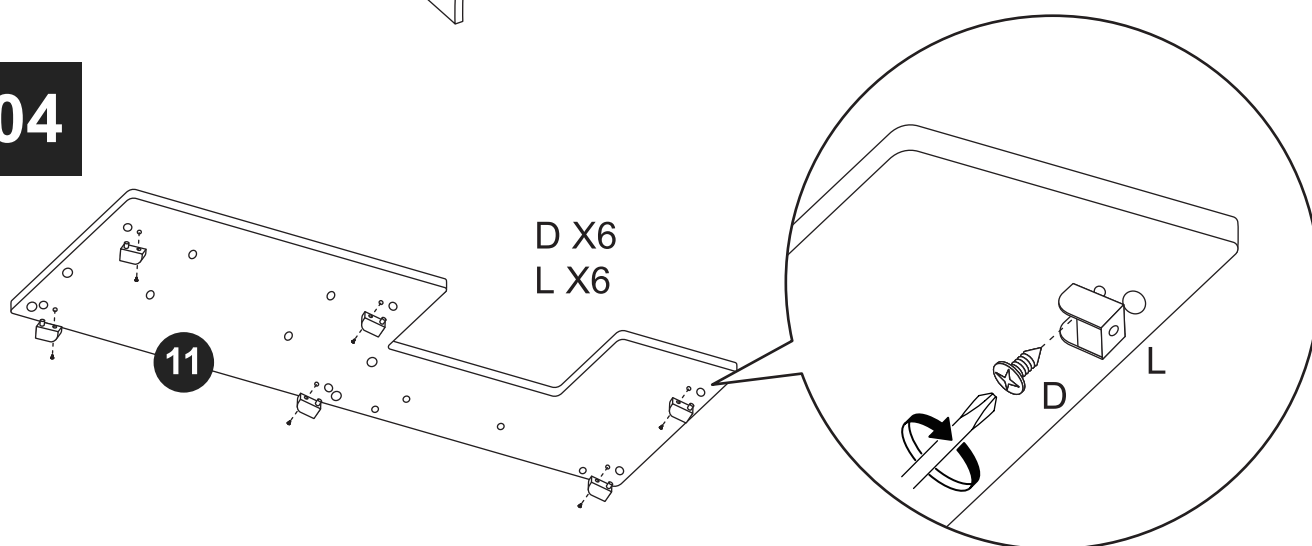
Make sure that the holes on part **5** are facing up!

06

03



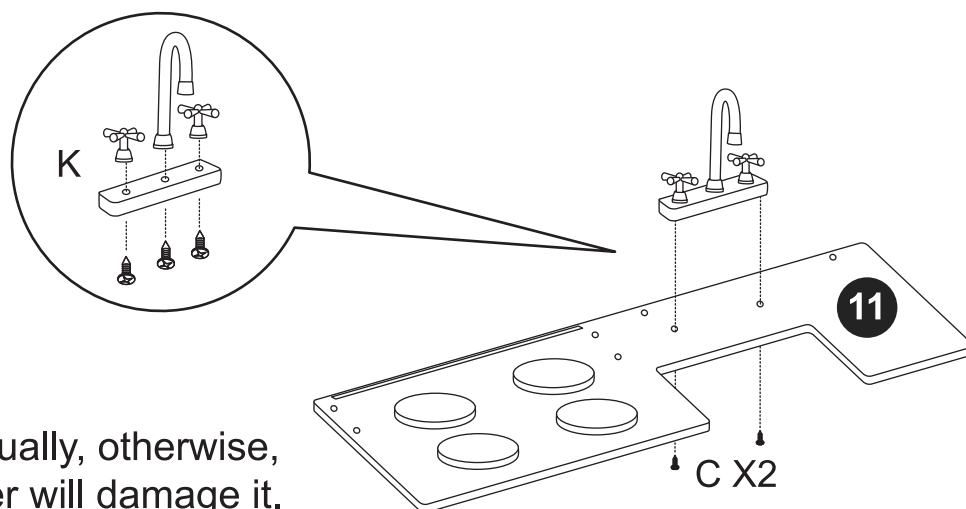
04



Note:

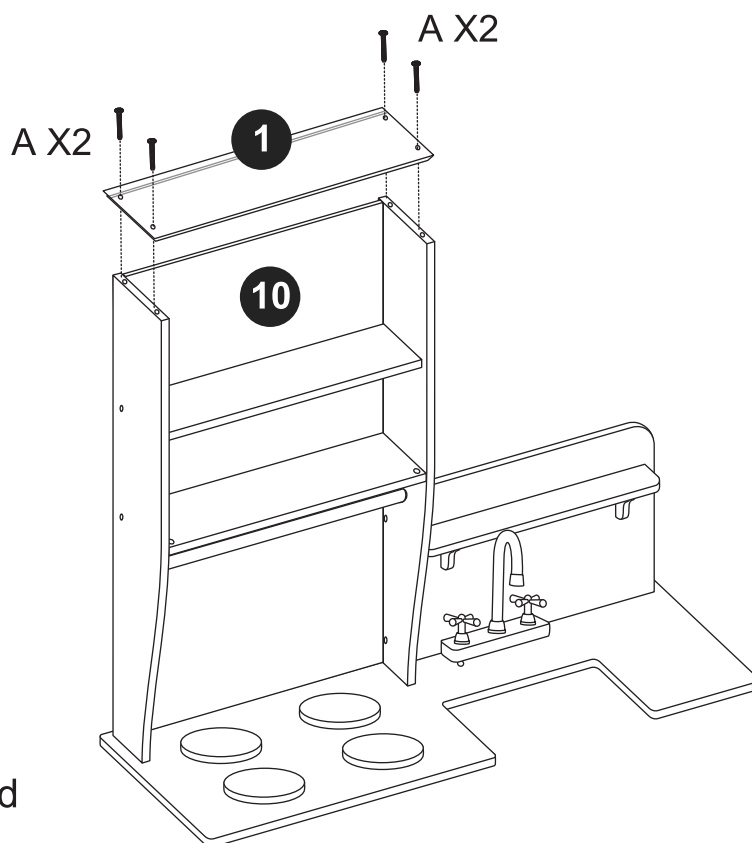
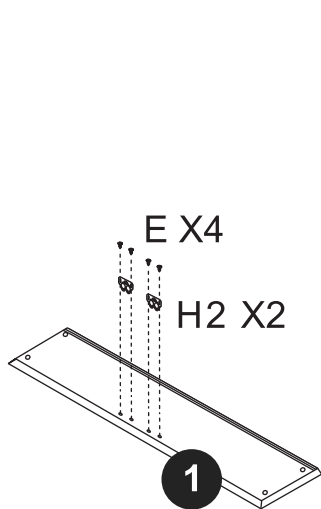
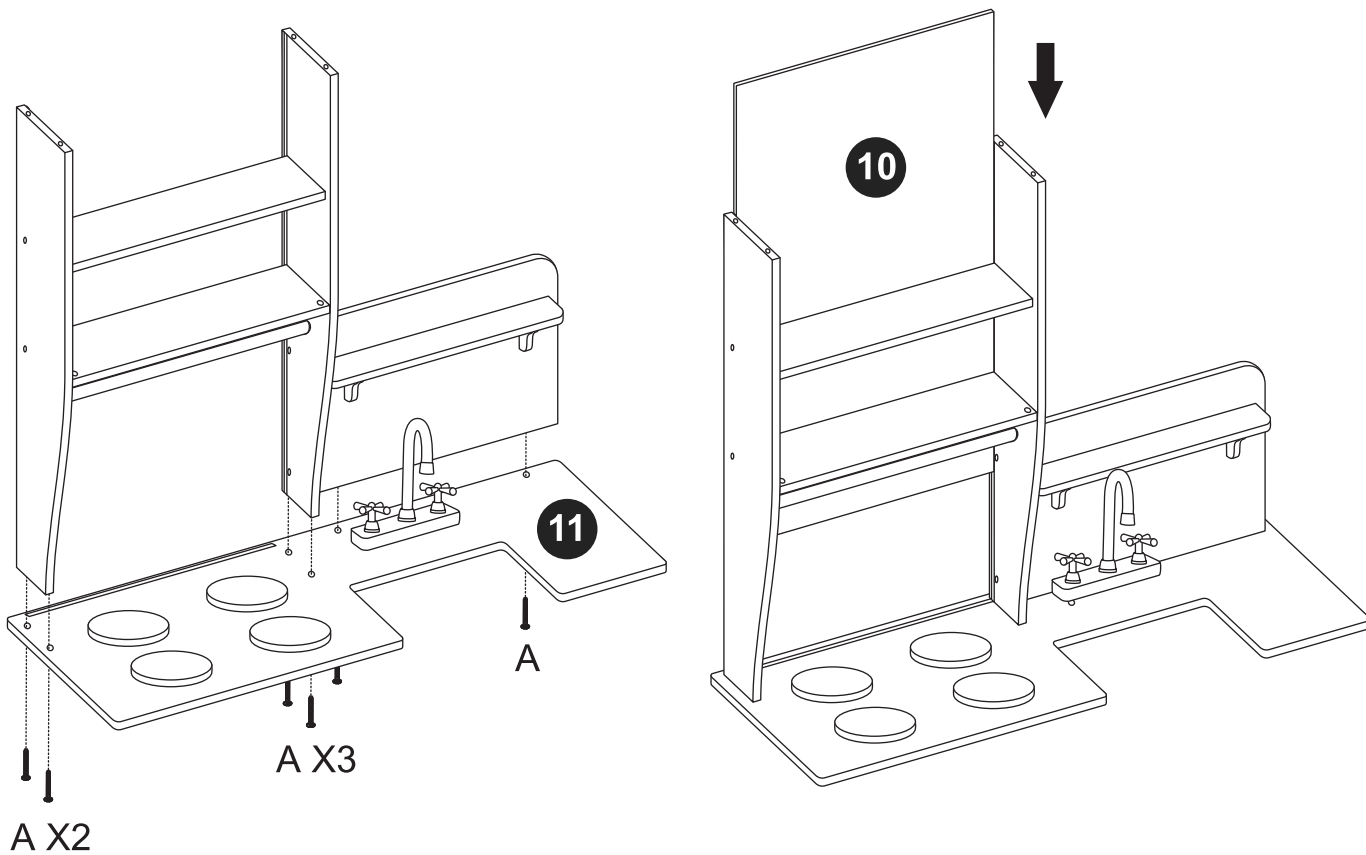
Tighten part **L** manually. Otherwise, an electric screwdriver will damage it.

05



Note:

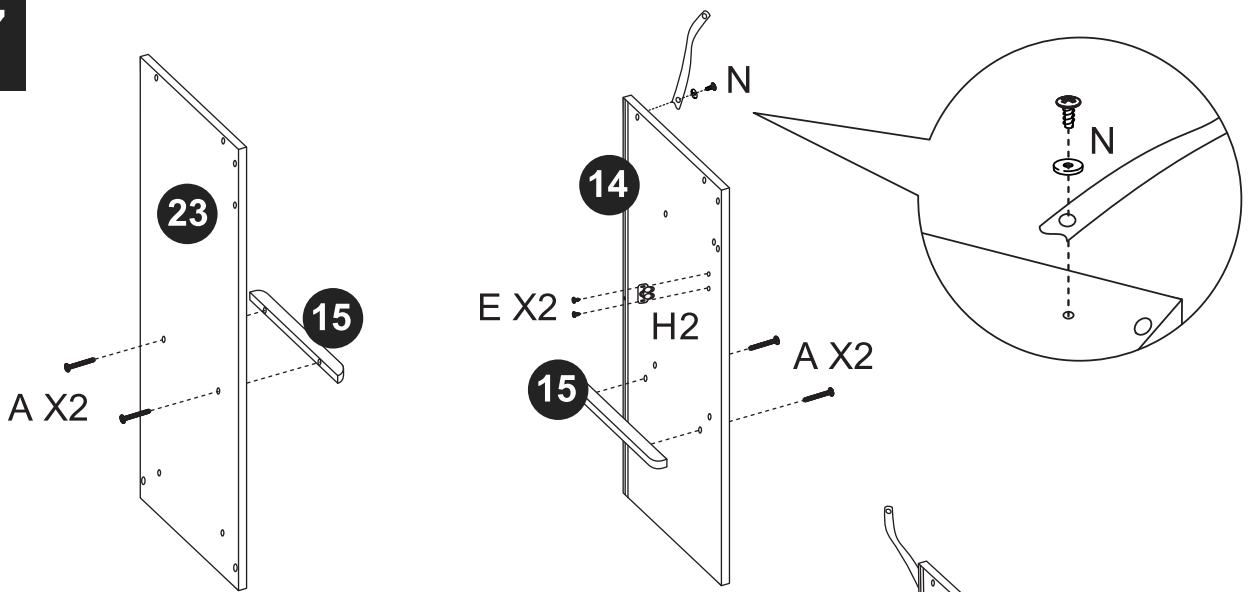
Screw the faucet manually, otherwise, the electric screwdriver will damage it.



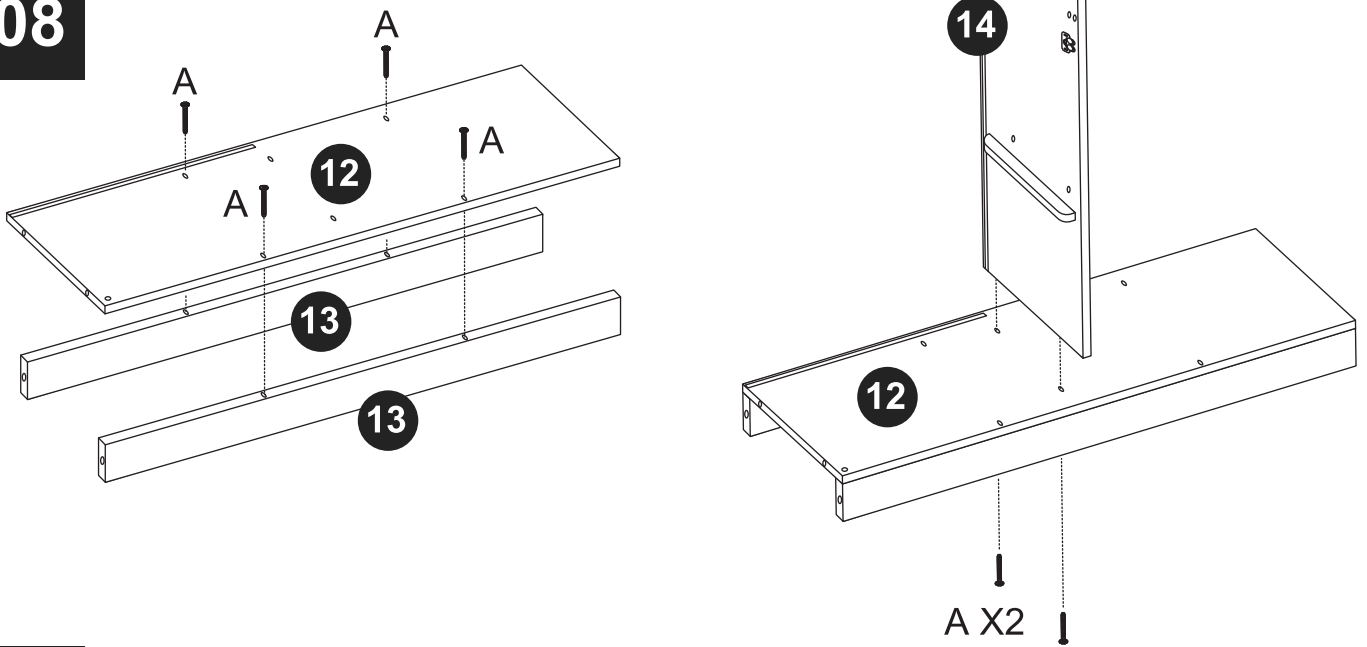
Note:

Flip the board **1**, the joints of the board should be aligned to board **10**.

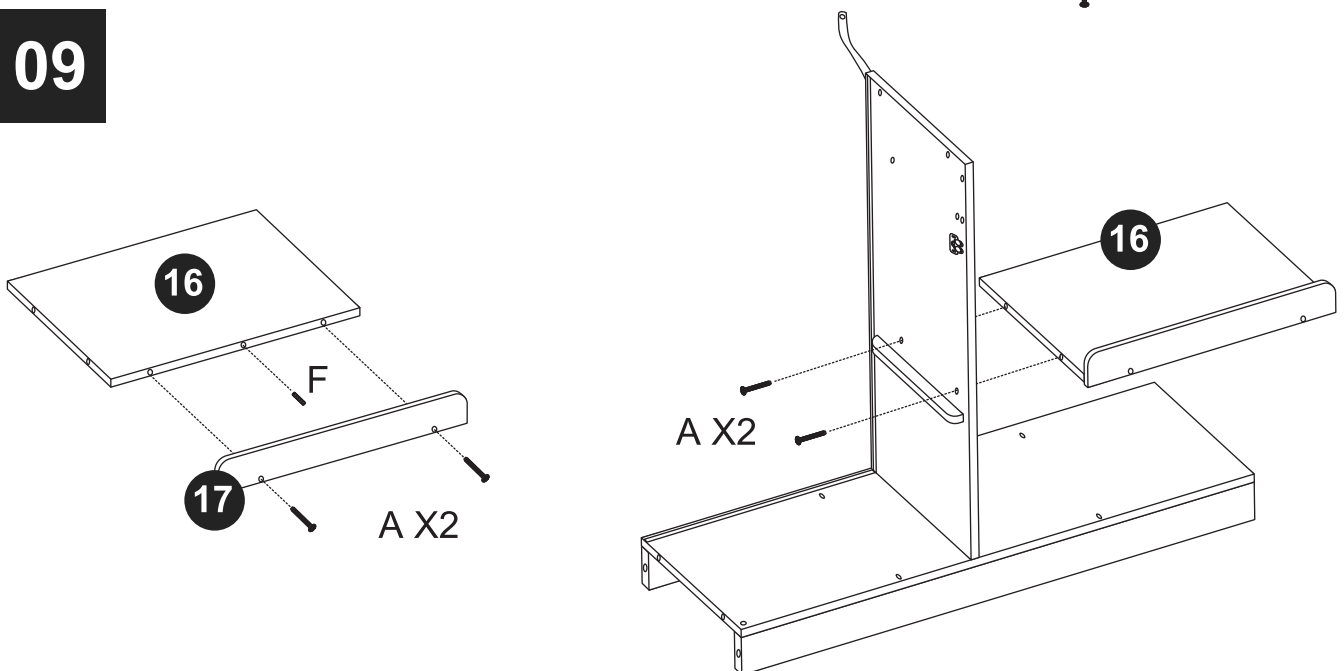
07



08

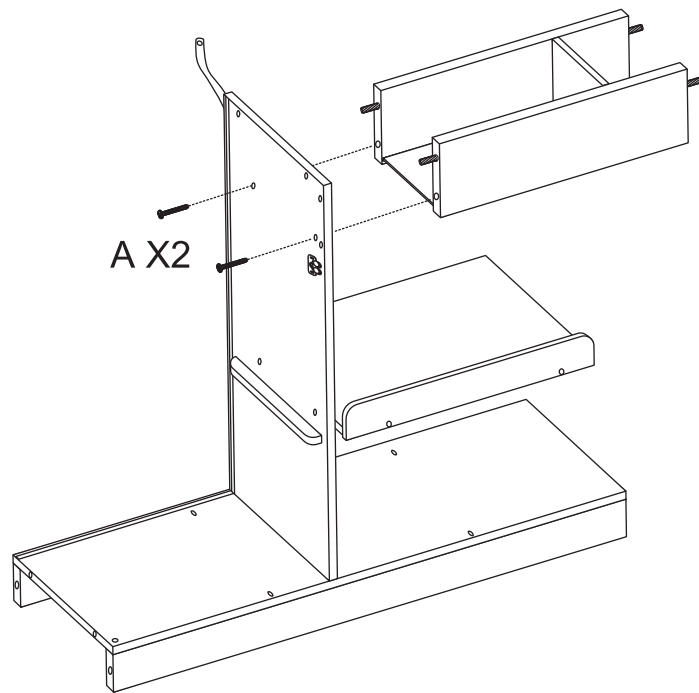
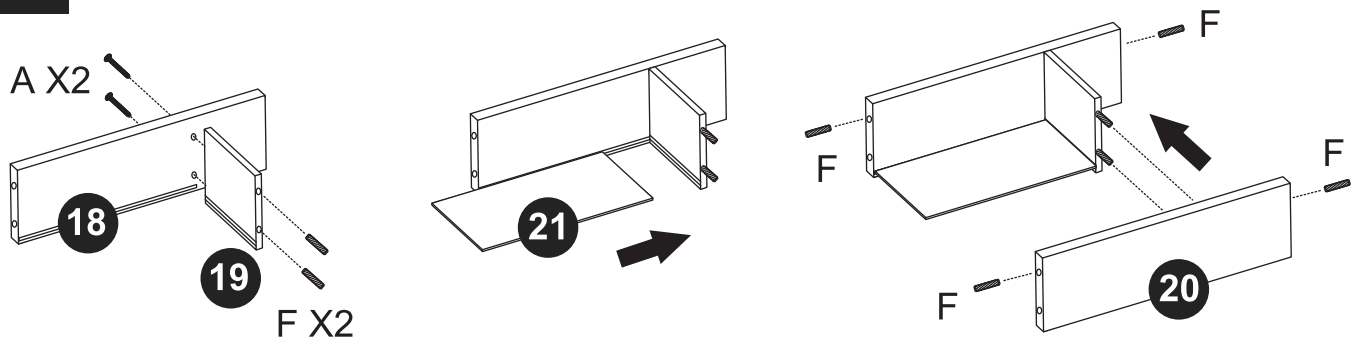


09

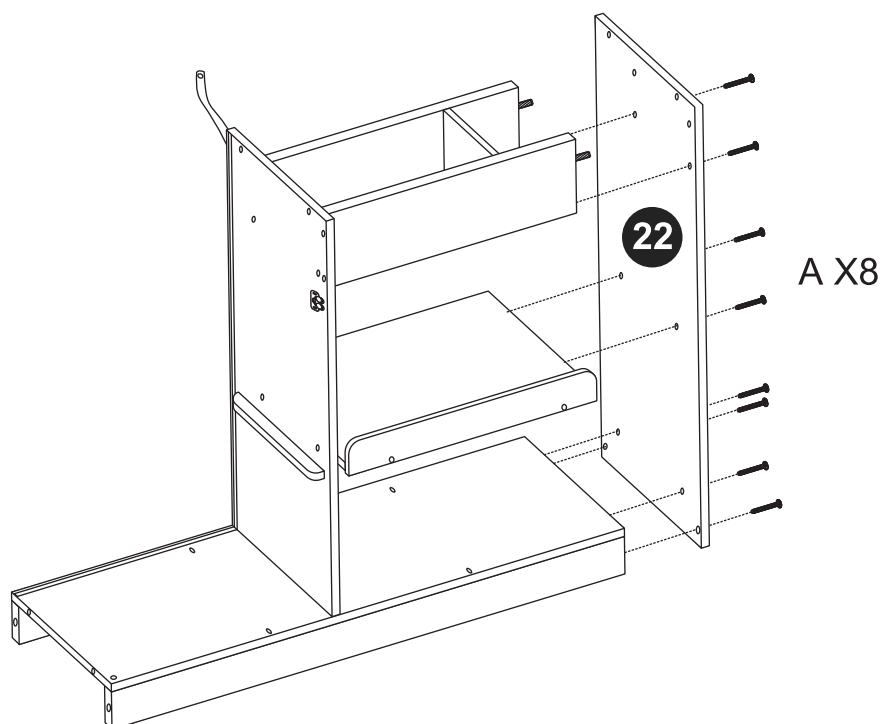


09

10

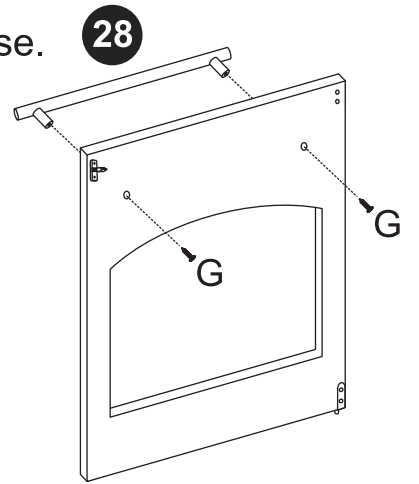
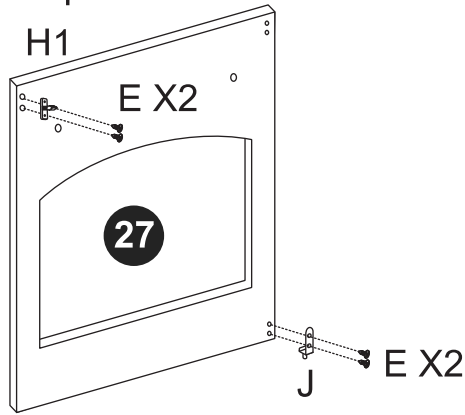
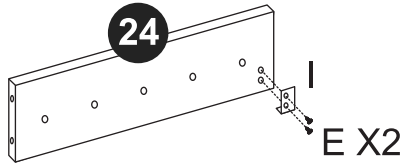


11

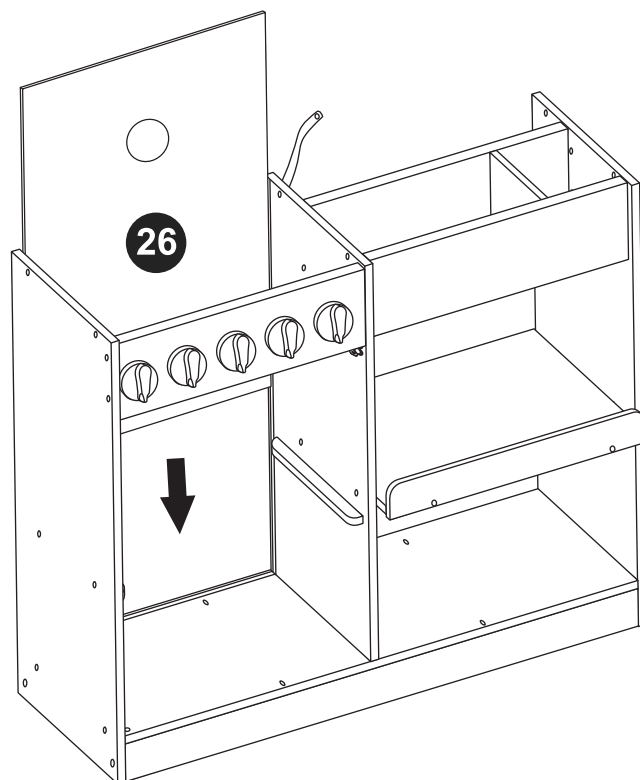
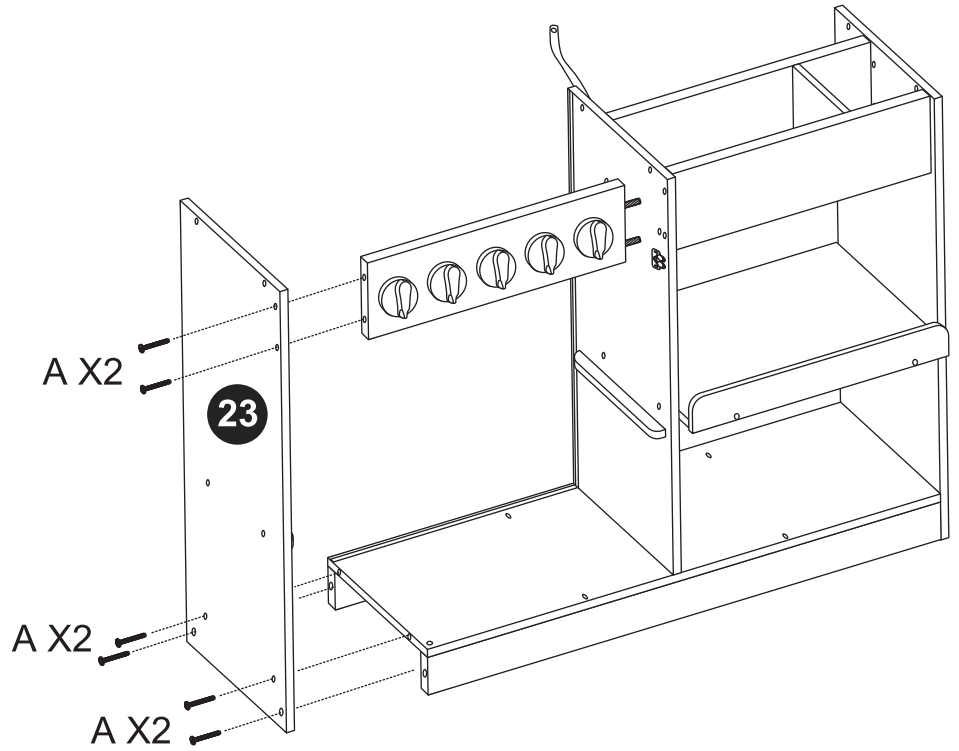
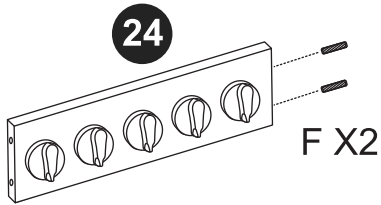


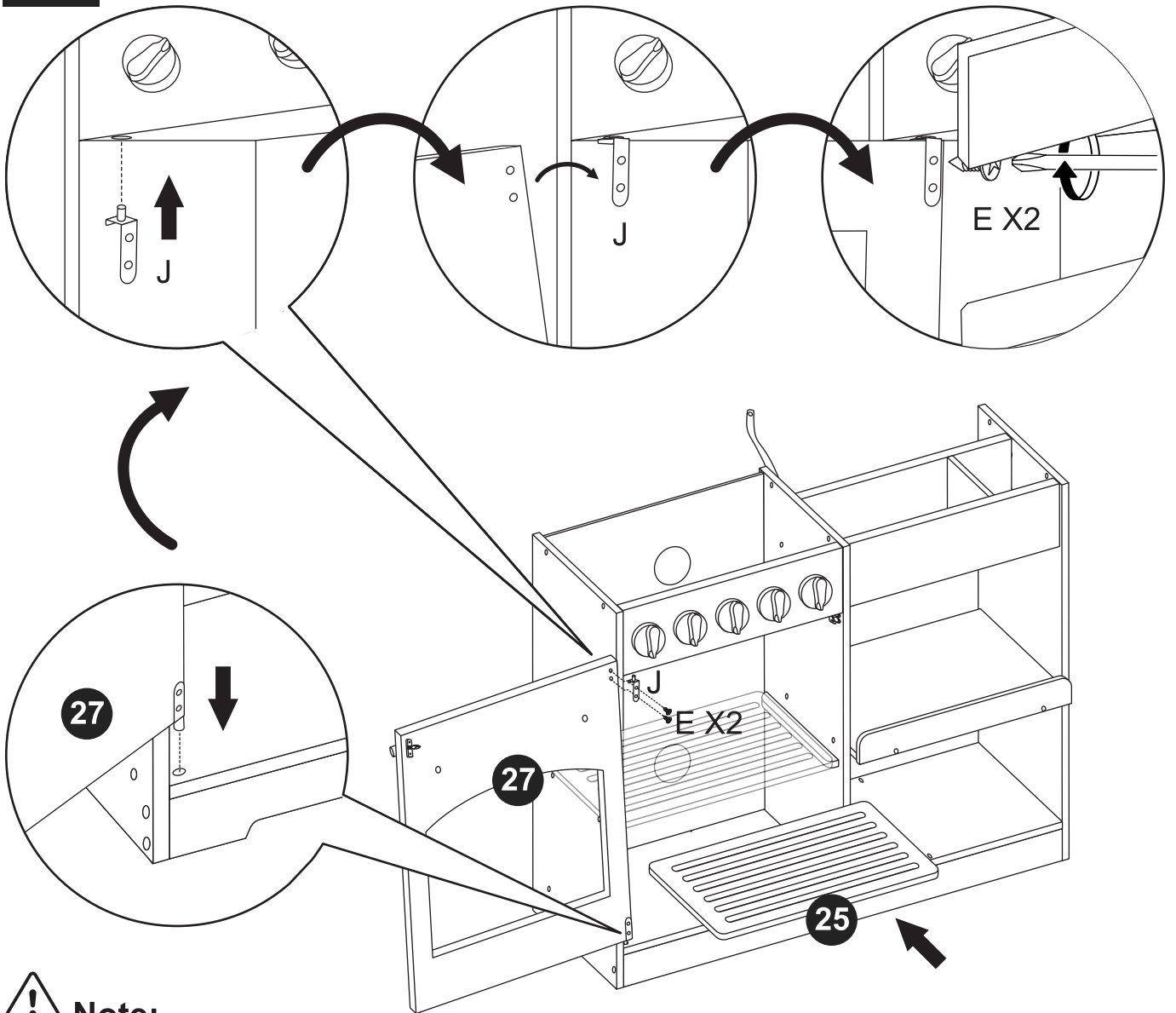
 **Note:** Remove protective film before use.

12



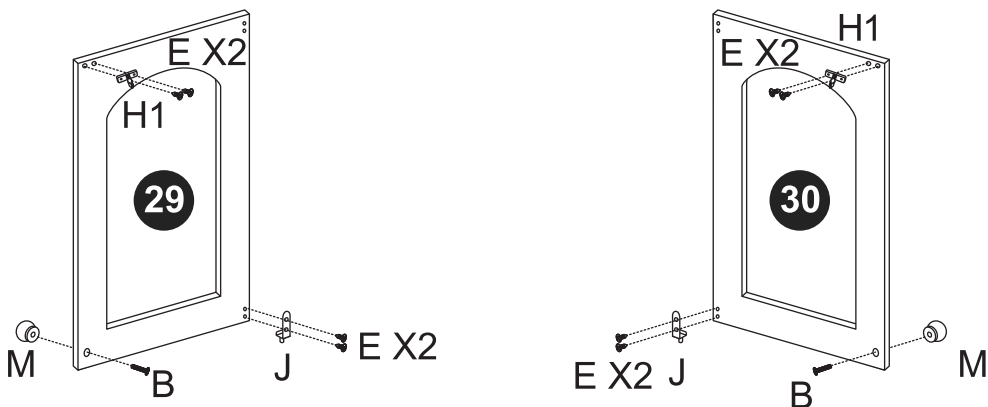
13



14

! **Note:**

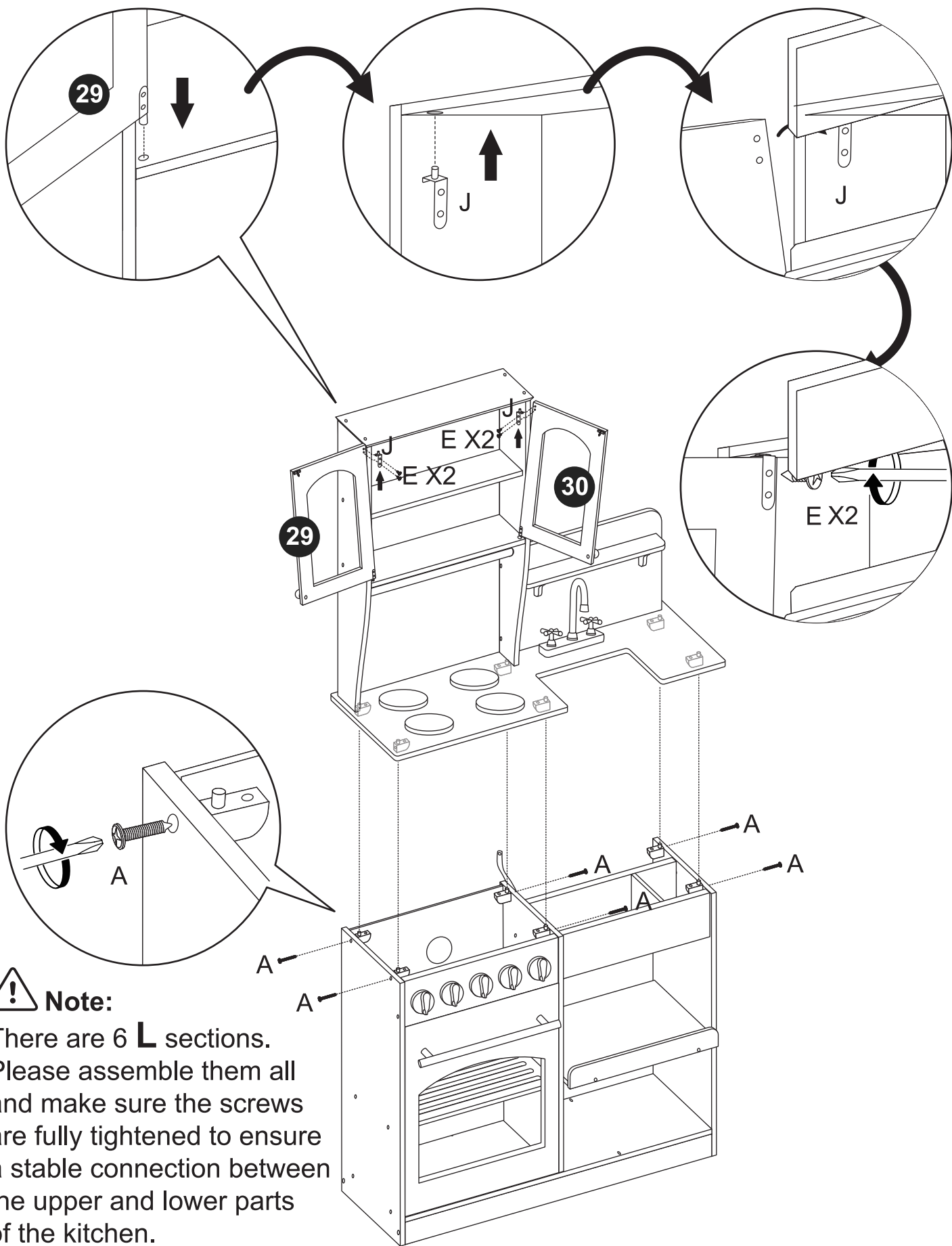
Firstly, insert part **27** into the bottom holes of the base. Then insert part **J** on the top. Align part **J** with the top of part **27** and screw them with two screw **E** .

15**12**

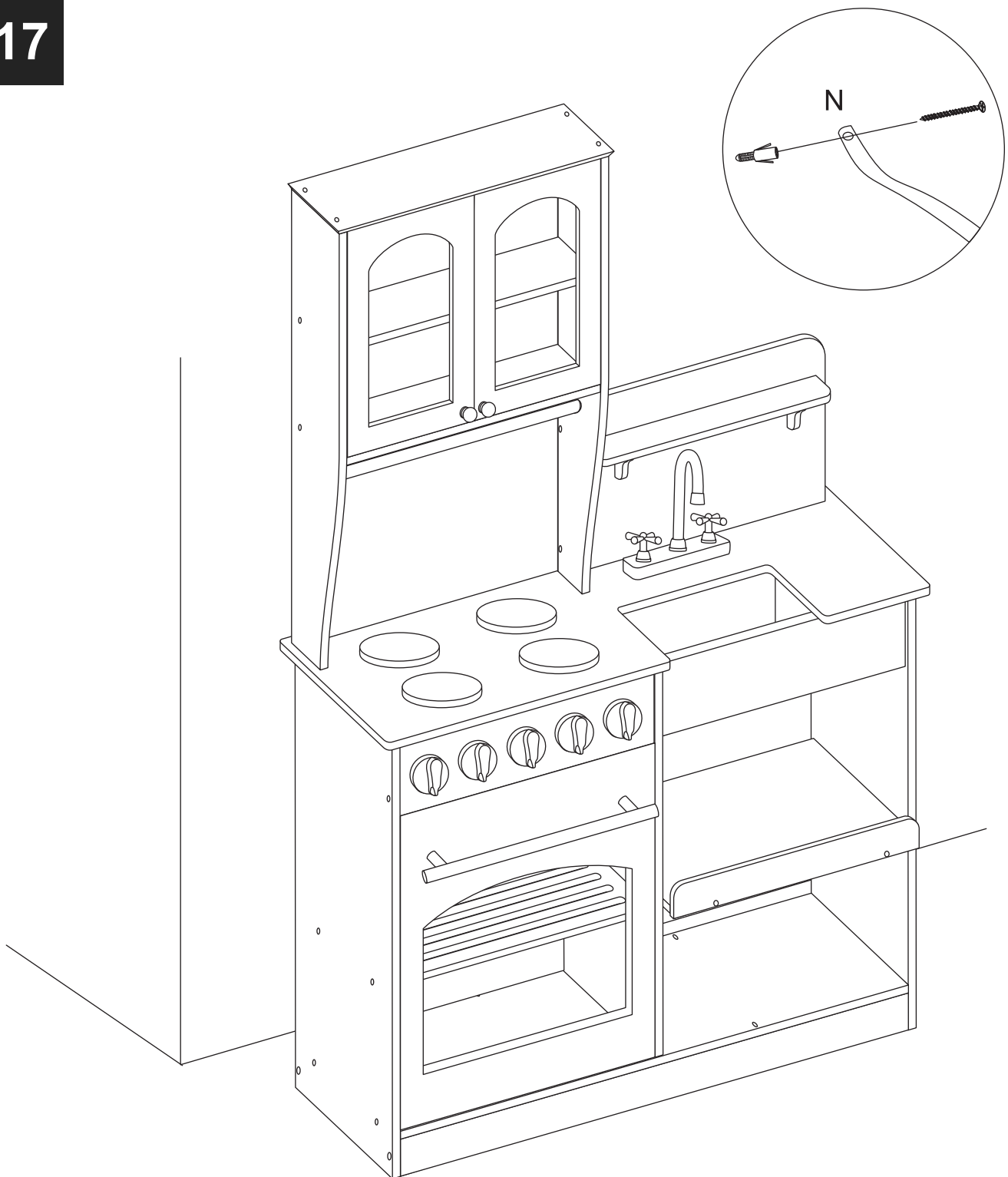
!

Note: Remove protective film before use.

16



! Note:
There are 6 L sections.
Please assemble them all
and make sure the screws
are fully tightened to ensure
a stable connection between
the upper and lower parts
of the kitchen.



Congratulation! You have finished assembling your adorable play kitchen!

This safety bracket is designed to fix the furniture to the wall and prevent it from tipping over if a child climbs or hangs on it. Do not allow children to climb. The package contains parts of 2 different ways to fix the bracket on the wall. Different wall materials require different types of fixing devices. If you are uncertain about what type of screw or fitting to use, please contact your hardware store.

Parental supervision required

- This toy is intended for children of a specific age or above.
- Parents should supervise the play area so that children younger than the intended age range do not interact with this toy.
- Use this toy on the floor.
- Do not allow children to climb on or around or in the toy.

Cleaning instructions

- Clean the surface using a dry cloth or a slightly damp cloth if necessary.
- Don't use any cleaning product containing alcohol or ammonia, which may dull the surface of the product.

Sole and limited warranty

- This toy is warranted solely against manufacturing defects for a period of 1 year from the date of purchase, which runs only to the original user of the toy. Event of a manufacturing defect, parts will be replaced or the entire product will be replaced or the purchase price will be refunded, at the election of the manufacturer.
- To activate and protect this warranty, preserve evidence of original purchase and carefully inspect the condition of the toy prior to and after assembly, looking for missing, degraded, broken or hazardous parts, including parts which can be swallowed by a child, cause a child to choke, or otherwise cause injury.
- When you observe any defects, don't use the toys and contact us immediately. Misuse, improper assembly, failure to honor a warning, failure to supervise, inspect or maintain the toy, or damage to the toy, whether intentional or inadvertent, shall invalidate this warranty.

Please feel free to contact us if you have any questions. we are always here to help you build your play kitchen.

 @tinylandus

 @tinylandtoy

 www.tinylandus.com

 customer_care@tinylandus.com

