

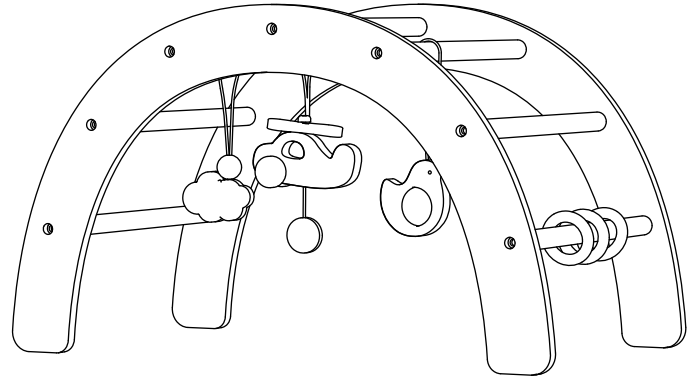


TINY LAND

## WOODEN PLAY GYM

### **WARNING:**

Choking Hazard - small parts.  
Adult assembly required.  
Only suitable to be used on the flat  
and level floor.  
Can not be used for carrying the child.



### **CAUTION:**

- Do not over-tighten screws when assembling.
- Screws should be fully tightened once.
- Laying out all accessories on a hard, flat, and level surface for assemble.
- Please follow the instruction step-by-step.

## WITHOUT YOUR PRODUCT REVIEW, WE DON'T EXIST.

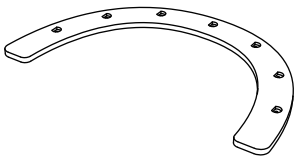
We hope you are satisfied with your purchase. Your product review helps us continue providing the best quality products for all of our valued customers.

If you find it difficult to assemble the toy or have any other problems with the product, please contact us via email at [customer\\_care@tinylandus.com](mailto:customer_care@tinylandus.com). We will do our best to resolve your problem and provide a solution to your satisfaction.

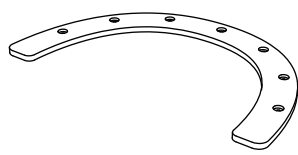
We appreciate your purchase and look forward to hearing from you.

# CONTENTS

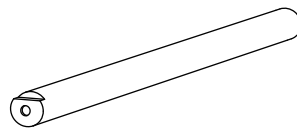
**A X1**



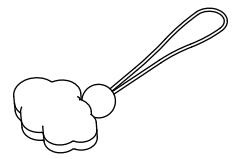
**B X1**



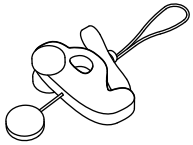
**C X7**



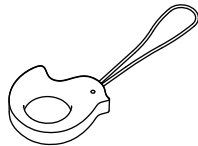
**D X1**



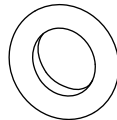
**E X1**



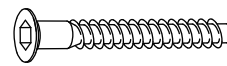
**F X1**



**G X3**



**H X14**

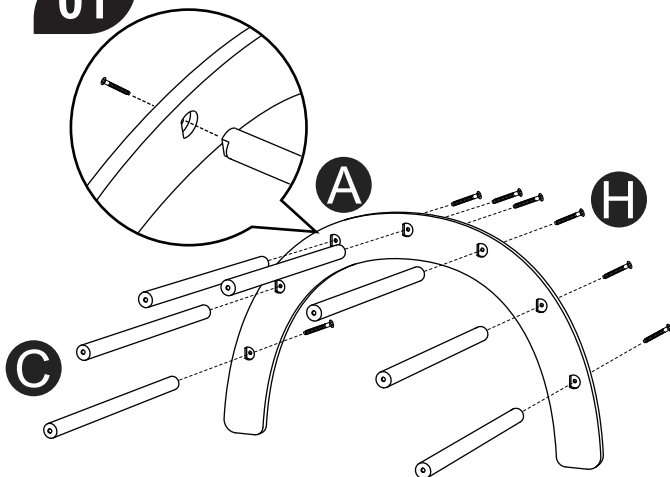


**I X1**



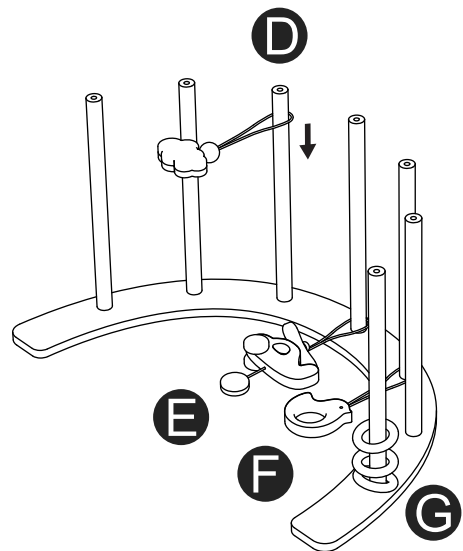
# INSTALLATION

**01**

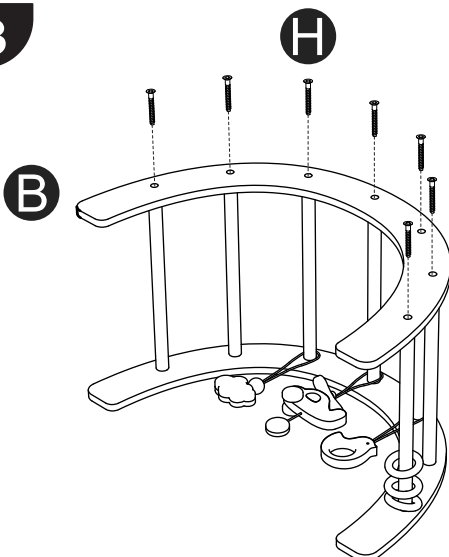


Align and insert the notched end of pole **C** into board **A**.

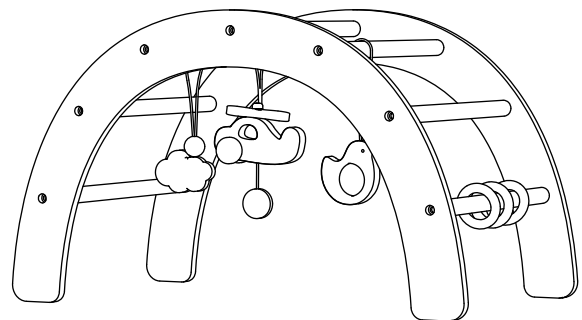
**02**



**03**



**04**



As shown in the picture, the assembly is completed.