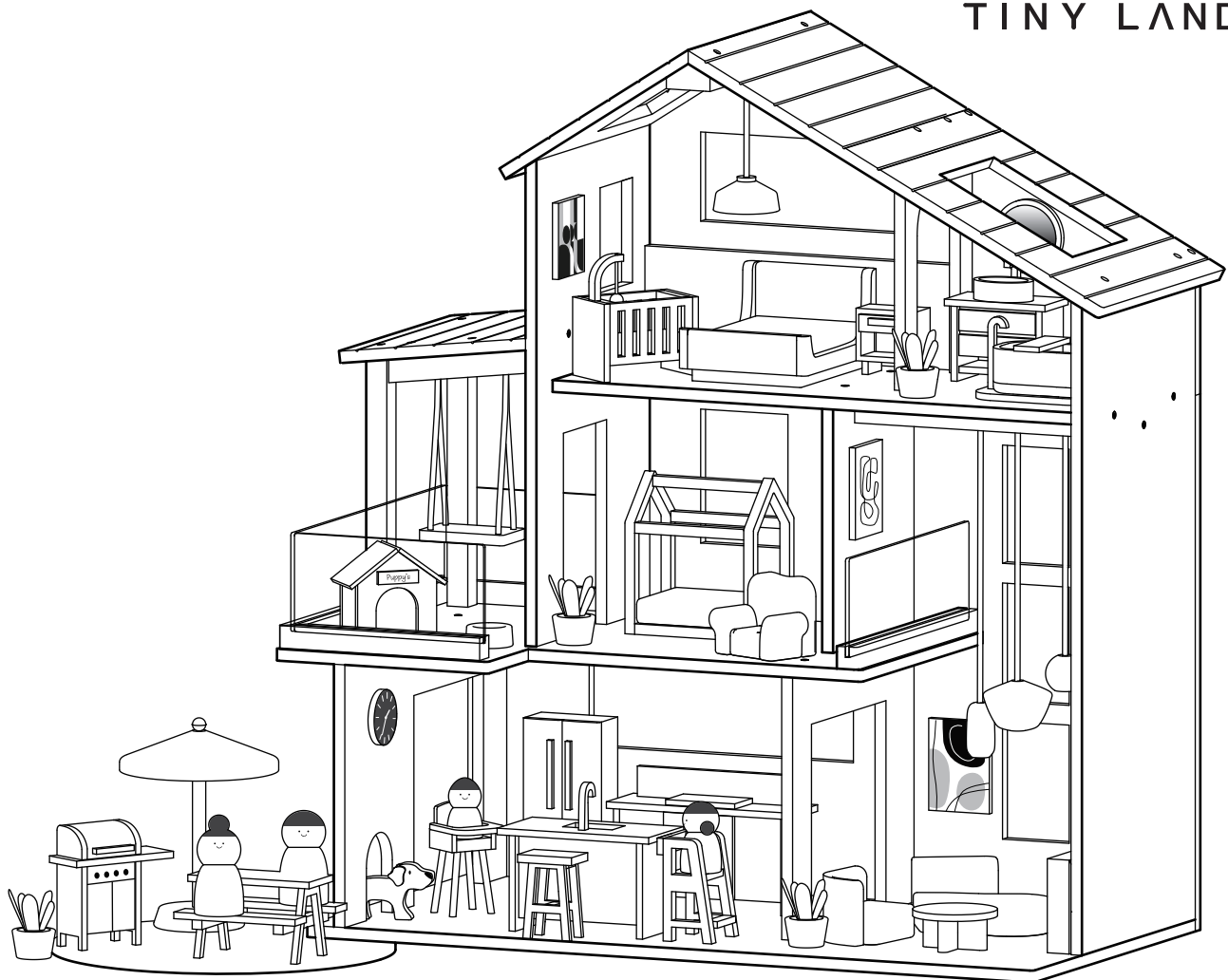


3 YEARS+



TINY LAND



MODERN FAMILY

DOLLHOUSE

ASSEMBLY INSTRUCTIONS

WARNING:

Choking hazard-small parts. Not for children under 3 years old. Adult assembly required.

Warnung:

Kleine teile drohen zu ersticken.
Kinder unter 3 Jahren sind nicht verfügbar.
Wir brauchen einen erwachsenen klempner.

Avertissement:

Risque d'étouffement — petites pièces.
Pas pour les enfants de moins de 3 ans.
Assemblage adulte requis.

Attenzione:

Parti a rischio soffocanti.
Non per bambini di meno di 3 anni.
Montaggio richiesto per adulti.

Advertencia:

Peligro de asfixia: partes pequeñas.
No para niños menores de 3 años.
Se requiere Asamblea de adultos.

THANK YOU!

Thank you for choosing the Tiny Land Dollhouse! It's a terrific way to help nurture a child's creativity and imagination and to inspire story-telling and independent play for years to come.

NOW IT'S TIME TO PUT IT TOGETHER! PLEASE READ FIRST.

WARNINGS

- Do not over-tighten screws when assembling.
- When assembling a part using several screws, please align them with the corresponding holes and gently tightening them first. Ensure that all screws are properly aligned and secured and then proceed to gradually tighten each one.
- Laying out all accessories on a hard, flat, and level surface for installation.
- Please follow the instructions step-by-step.

PARENTAL SUPERVISION REQUIRED

- This toy is intended for children aged above 3.
- Parents should supervise the play area so that children younger than the intended age range do not interact with this toy.
- Use this toy on a hard, flat, and level surface.
- Do not allow children to pull, climb, sit, or stand on any part of the dollhouse.

CLEANING INSTRUCTIONS

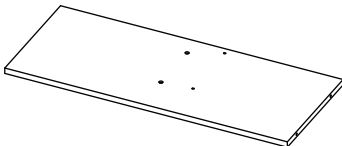
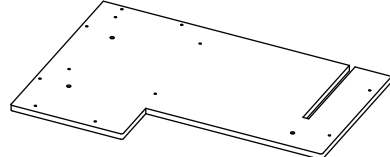
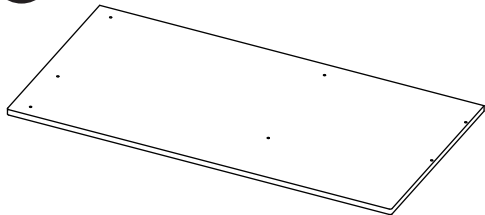
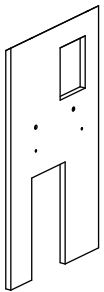
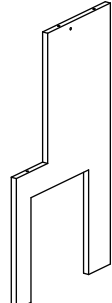
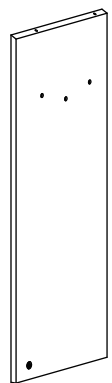
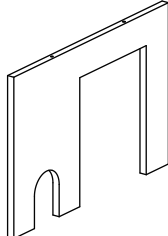
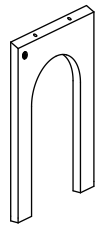
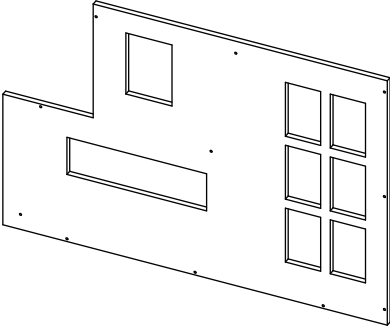
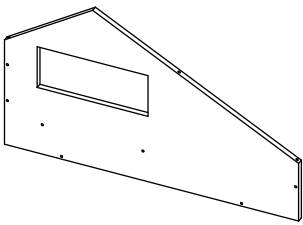
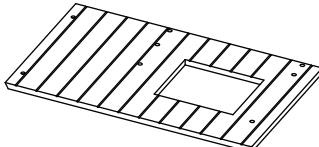
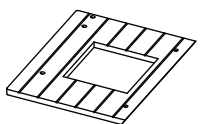
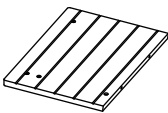
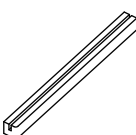
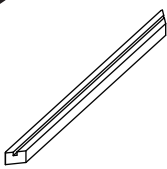




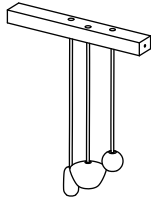

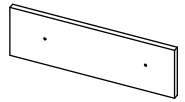
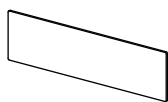





- Clean the surface using a slightly damp cloth and mild dish washing liquid if necessary.
- Don't use any cleaning product containing alcohol or ammonia, which may dull the surface of the product.

SOLE AND LIMITED WARRANTY












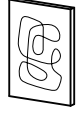






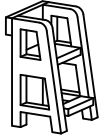

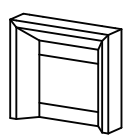


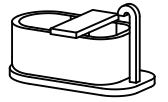
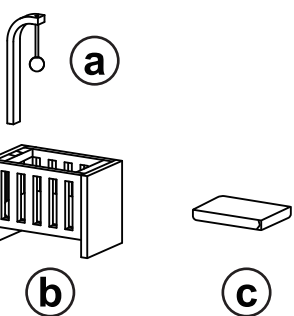

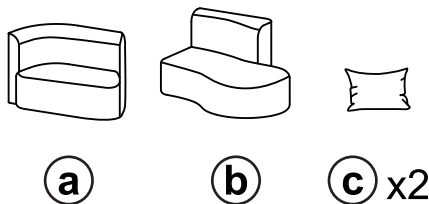
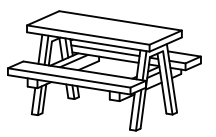
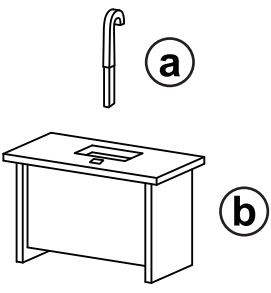
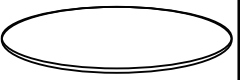
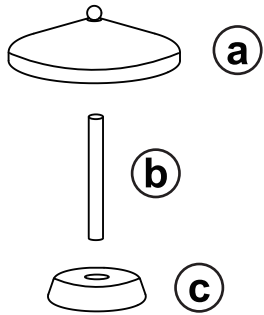
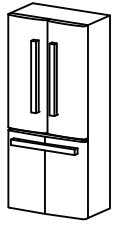
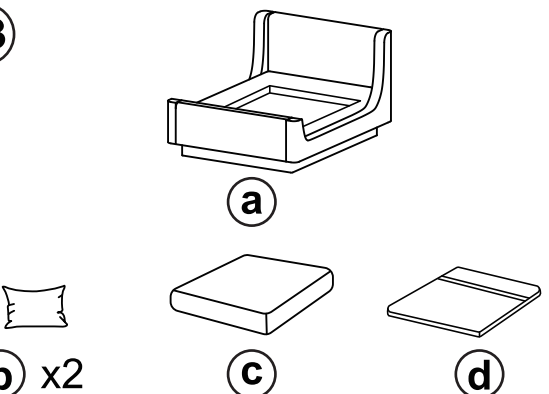
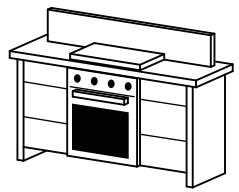
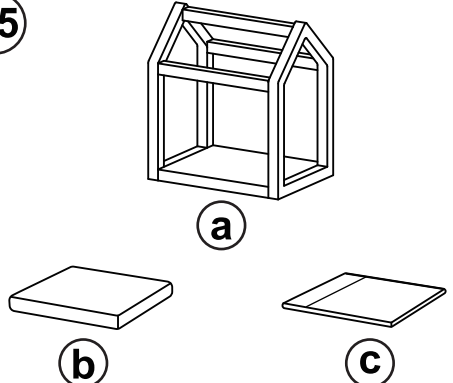
- This toy is warranted solely against manufacturing defects for a period of 90 days from the date of purchase, which runs only to the original user of the toy. Event of a manufacturing defect, parts will be replaced or the entire product will be replaced or the purchase price will be refunded, at the election of the manufacturer.
- To activate and protect this warranty, preserve evidence of original purchase and carefully inspect the condition of the toy prior to and after assembly, looking for missing degraded, broken or hazardous parts, including parts / which can be swallowed by a child, cause a child to choke or otherwise cause injury.
- When you observe any defects, don't use the toys and contact us immediately. Misuse, improper assembly, failure to honor a warning, failure to supervise, inspect or maintain the toy, or damage to the toy, whether intentional or inadvertent, shall invalidate this warranty.

**PLEASE FEEL FREE TO CONTACT US IF YOU HAVE ANY QUESTIONS.
WE ARE ALWAYS HERE TO HELP YOU BUILD YOUR LITTLE ONE'S WORLD!**

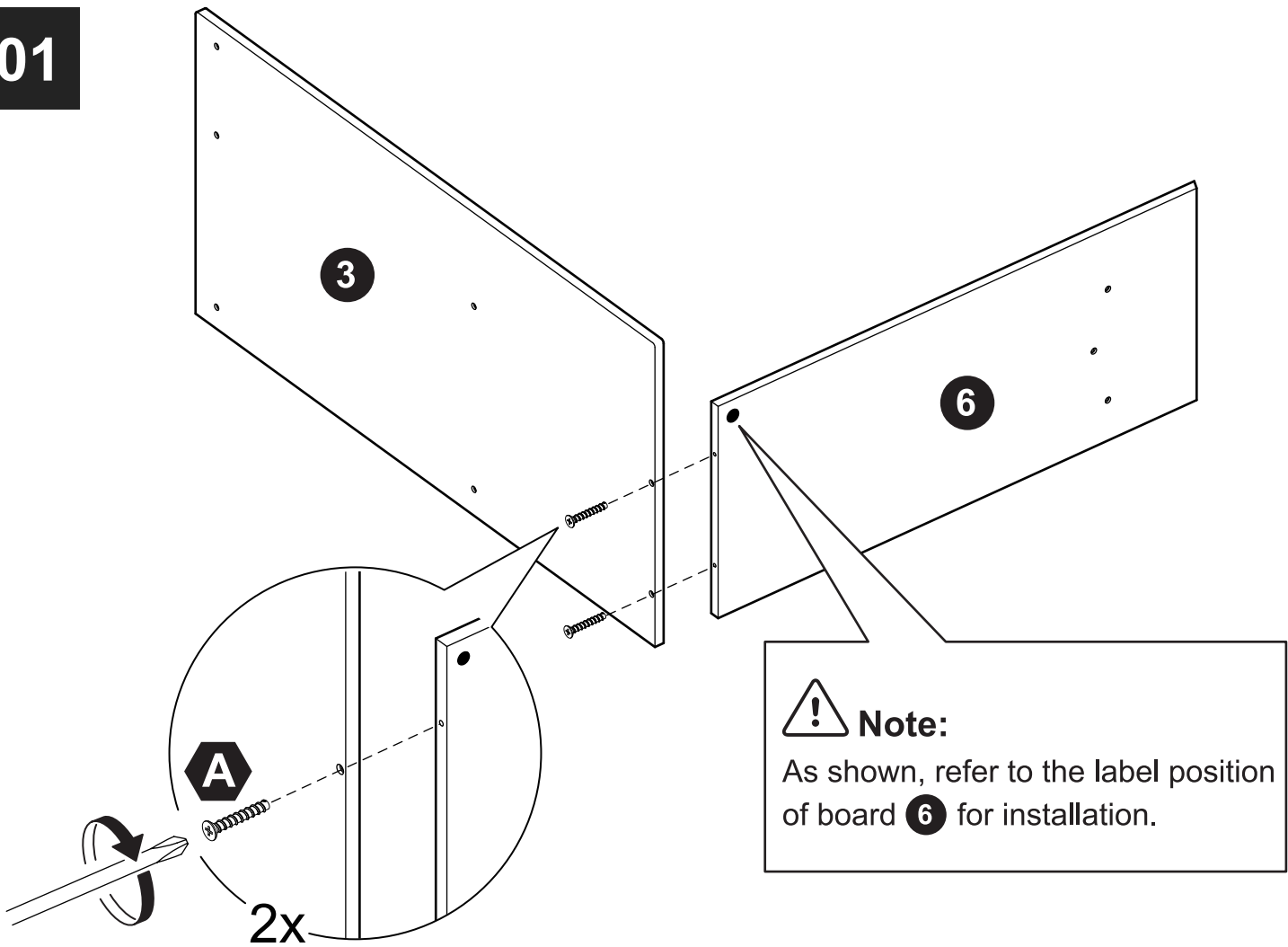
CONTENTS

| | | | | | |
|---|--|---|---|---|--|
| <p>1</p>  | <p>2</p>  | <p>3</p>  | | | |
| <p>4</p>  | <p>5</p>  | <p>6</p>  | <p>7</p>  | <p>8</p>  | |
| <p>9</p>  | <p>10</p>  | <p>11</p>  | <p>12</p>  | | |
| <p>13</p>  | <p>14</p>  | <p>15</p>  | <p>16</p>  | <p>17</p>  | |
| <p>18 x2</p>  | <p>19</p>  | <p>20</p>  | <p>21</p>  | <p>22</p>  | |
| <p>23</p>  | <p>24</p>  | <p>25 x2</p>  | <p>A x57</p>  <p>Ø 3X19mm</p> | <p>B x10</p>  <p>Ø 3X16mm</p> | <p>C x2</p>  <p>Ø 3X12mm</p> |

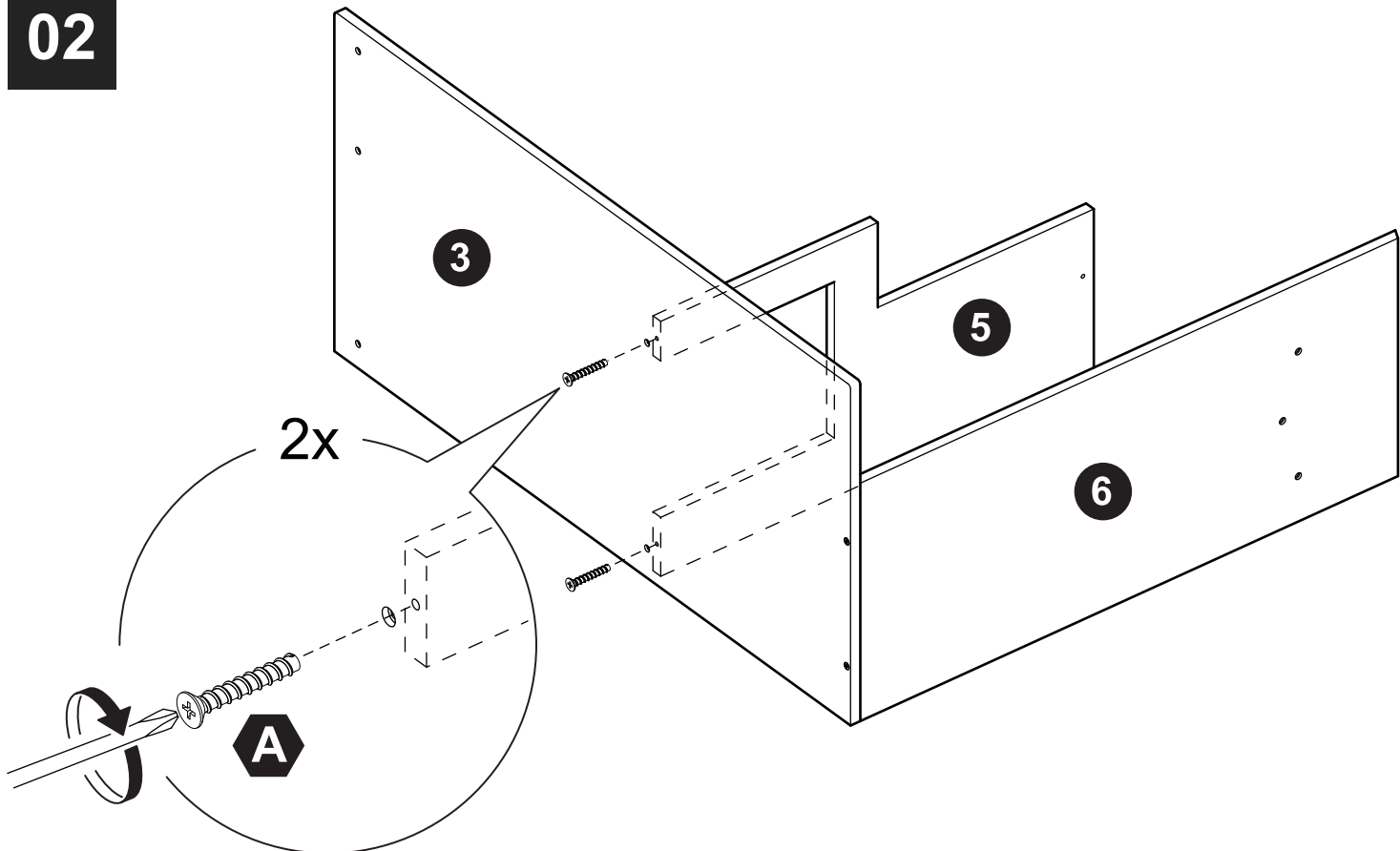
CONTENTS

| | | | | | | | | |
|---|---|--|---|--|---|---|---|---|
| 1  | 2  | 3  | 4  | 5  | 6  | 7 x4  | 8  | 9 x6  |
| 10  | 11  | 12  | 13  | 14  | 15  | 16  | 17  | |
| 18  | 19  | 20  a b | 21  | 22  | 23  | 24  | | |
| 25  a b c | 26  | 27  a b c x2 | 28  | | | | | |
| 29  a b | 30  | 31  a b c | 32  | | | | | |
| 33  a b x2 c d | 34  | 35  a b c | | | | | | |

01

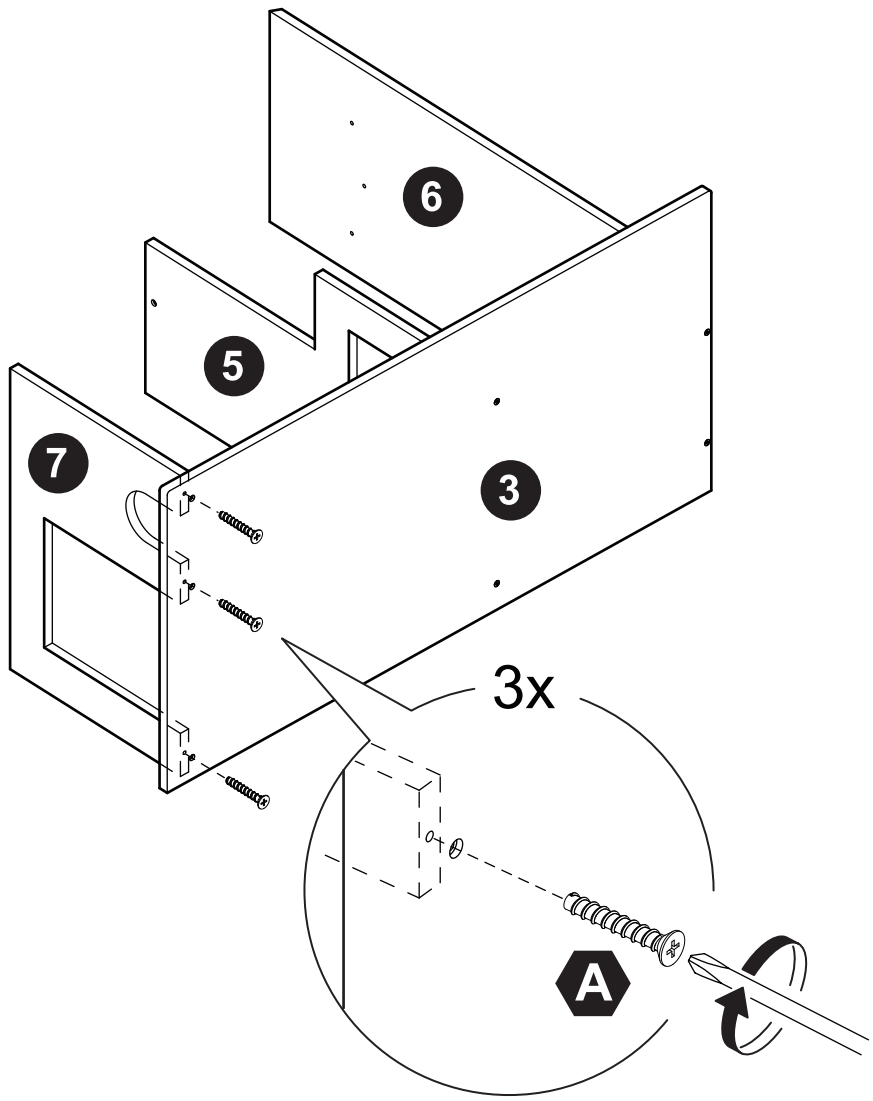


02

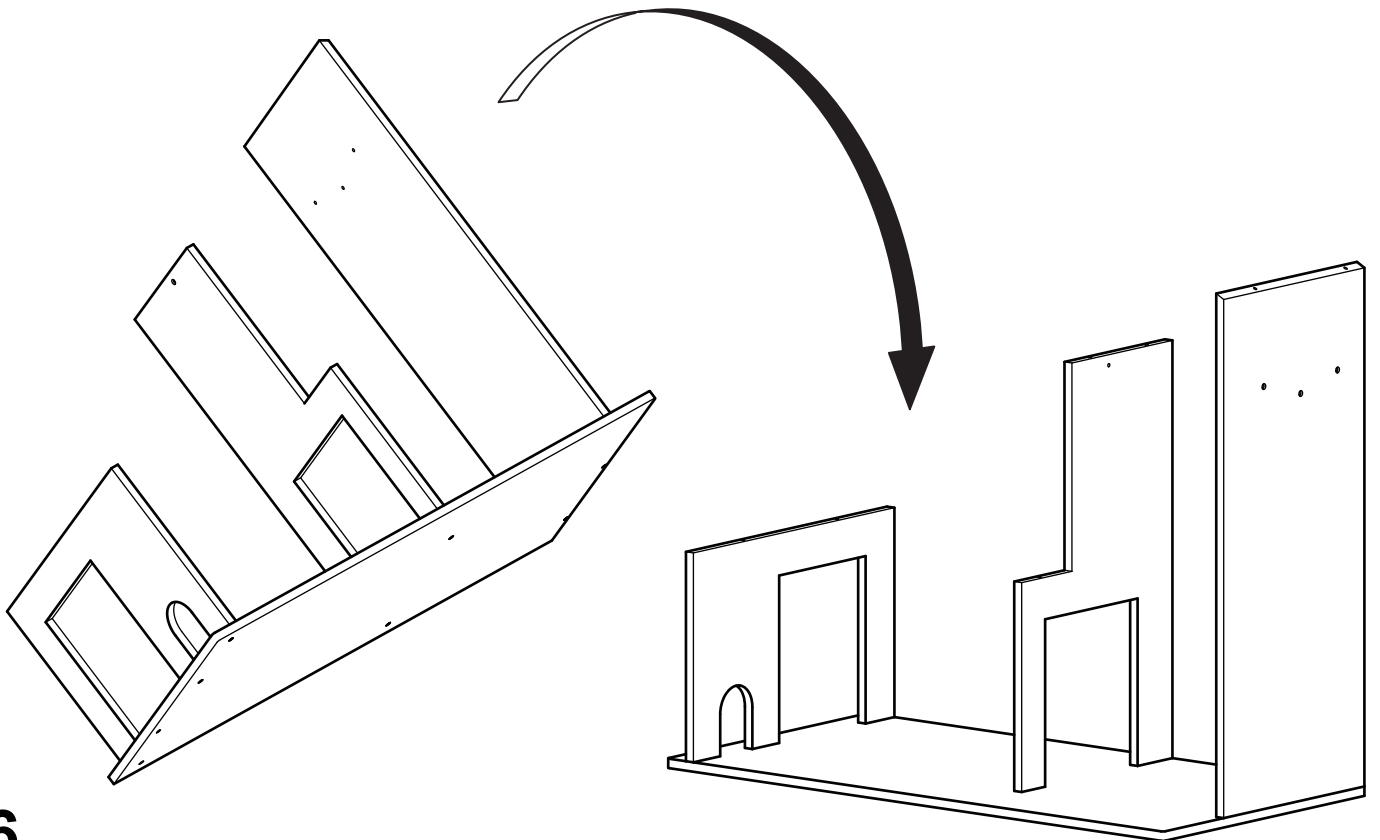


05

03

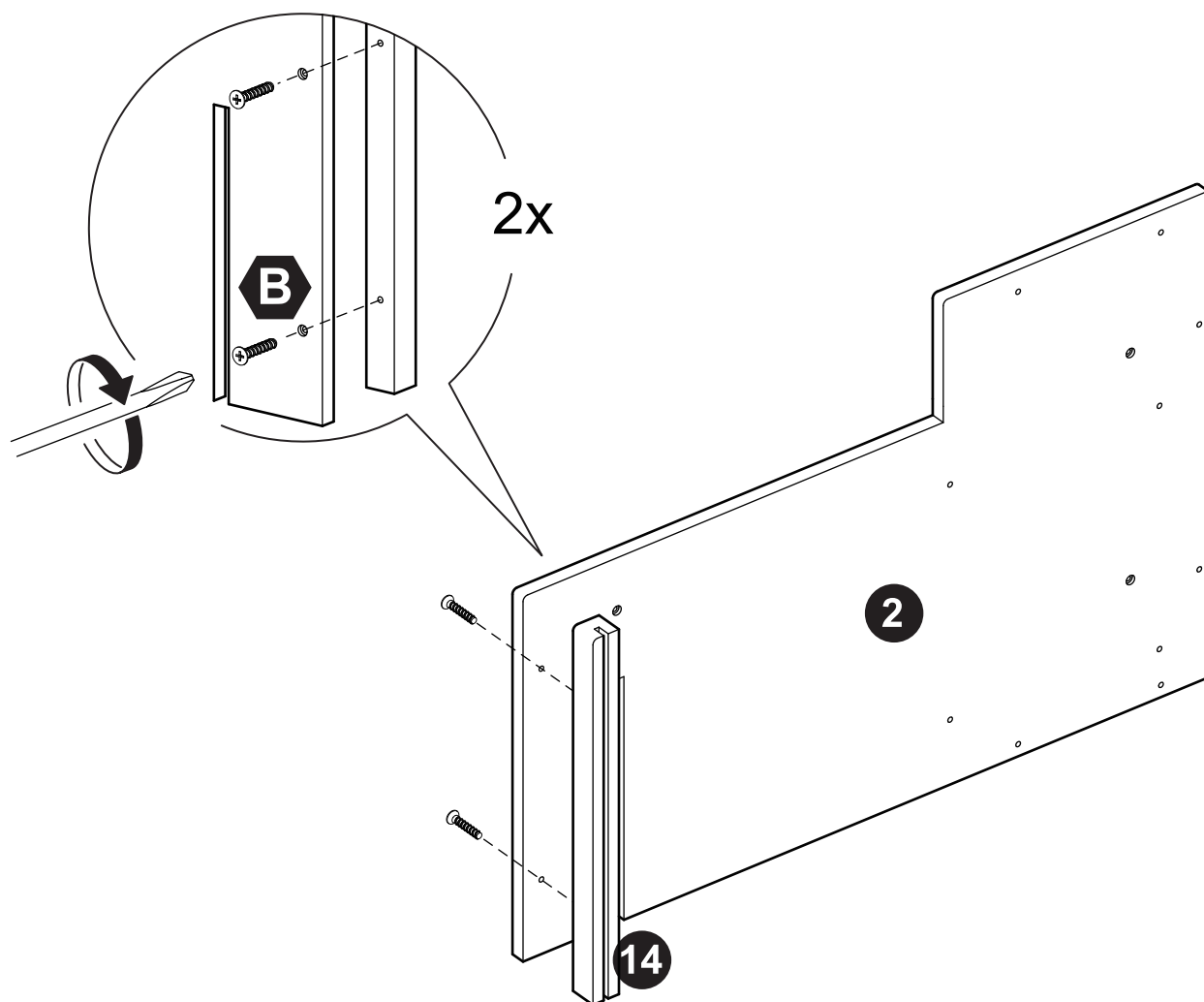


04

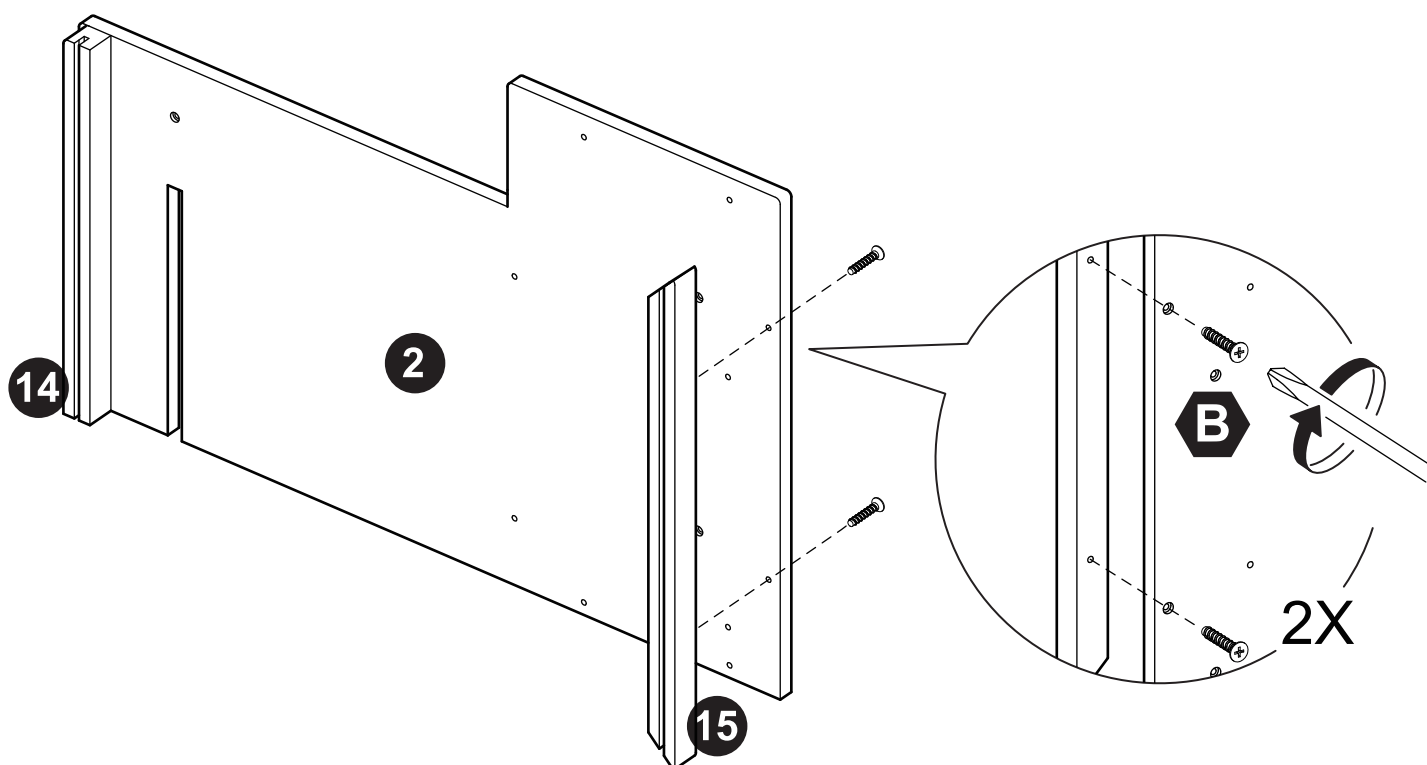


06

05

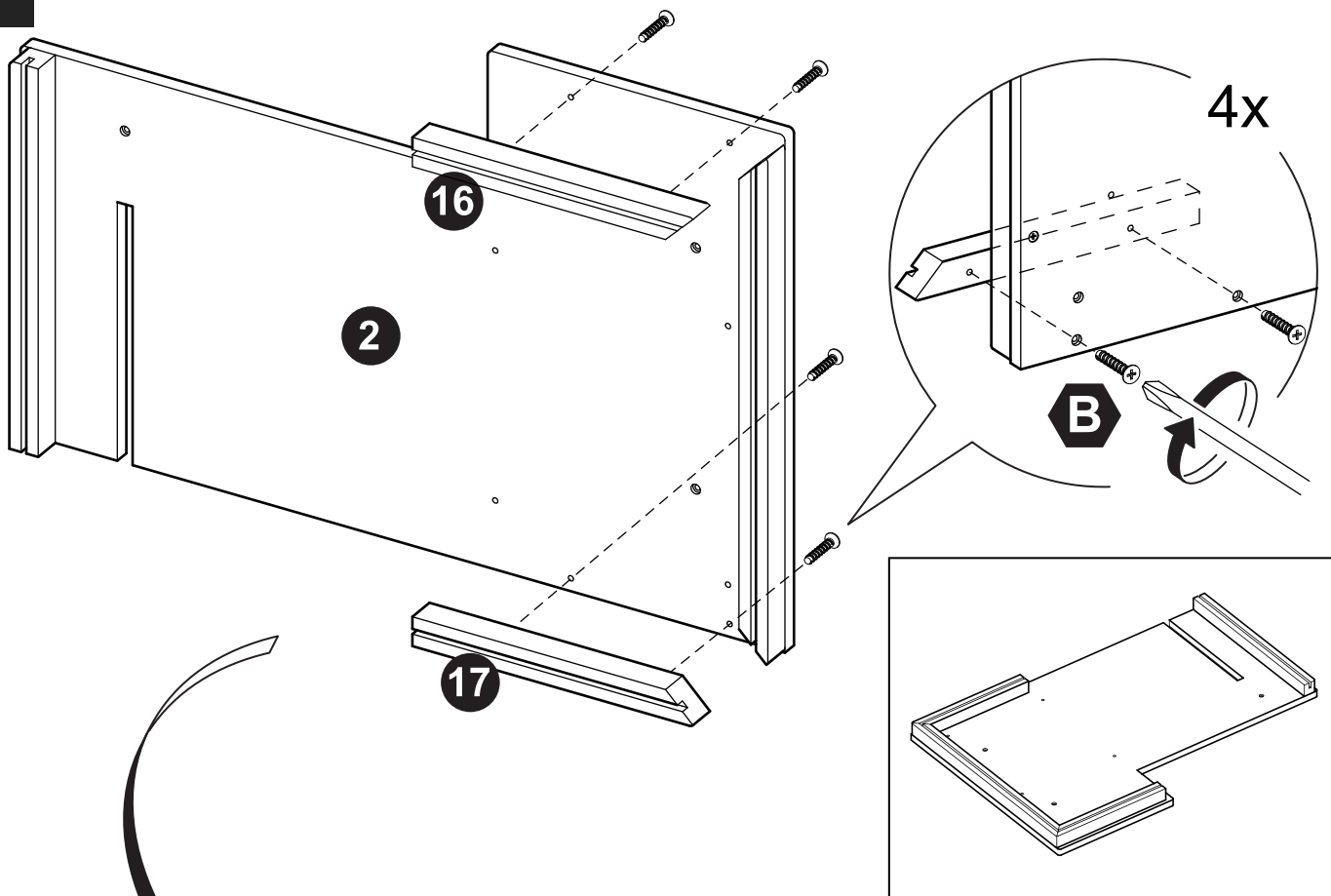


06

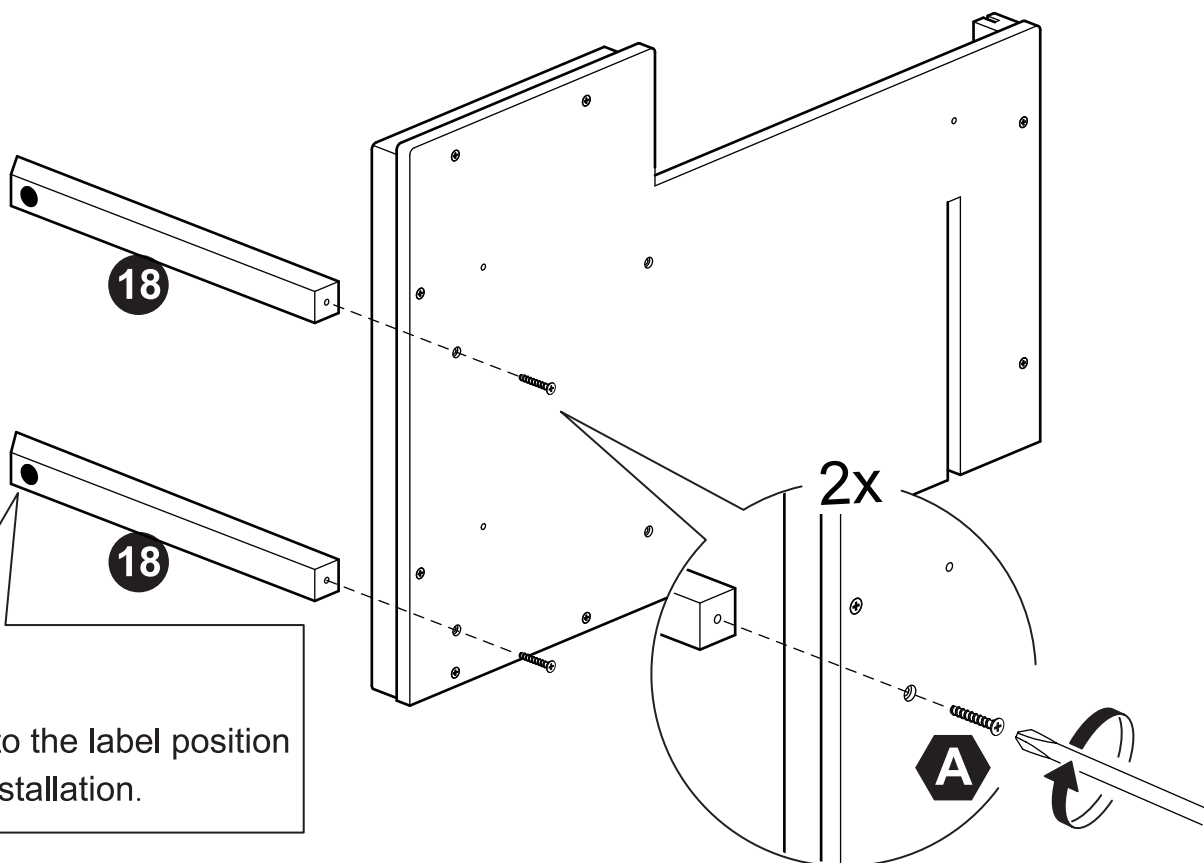


07

07



08

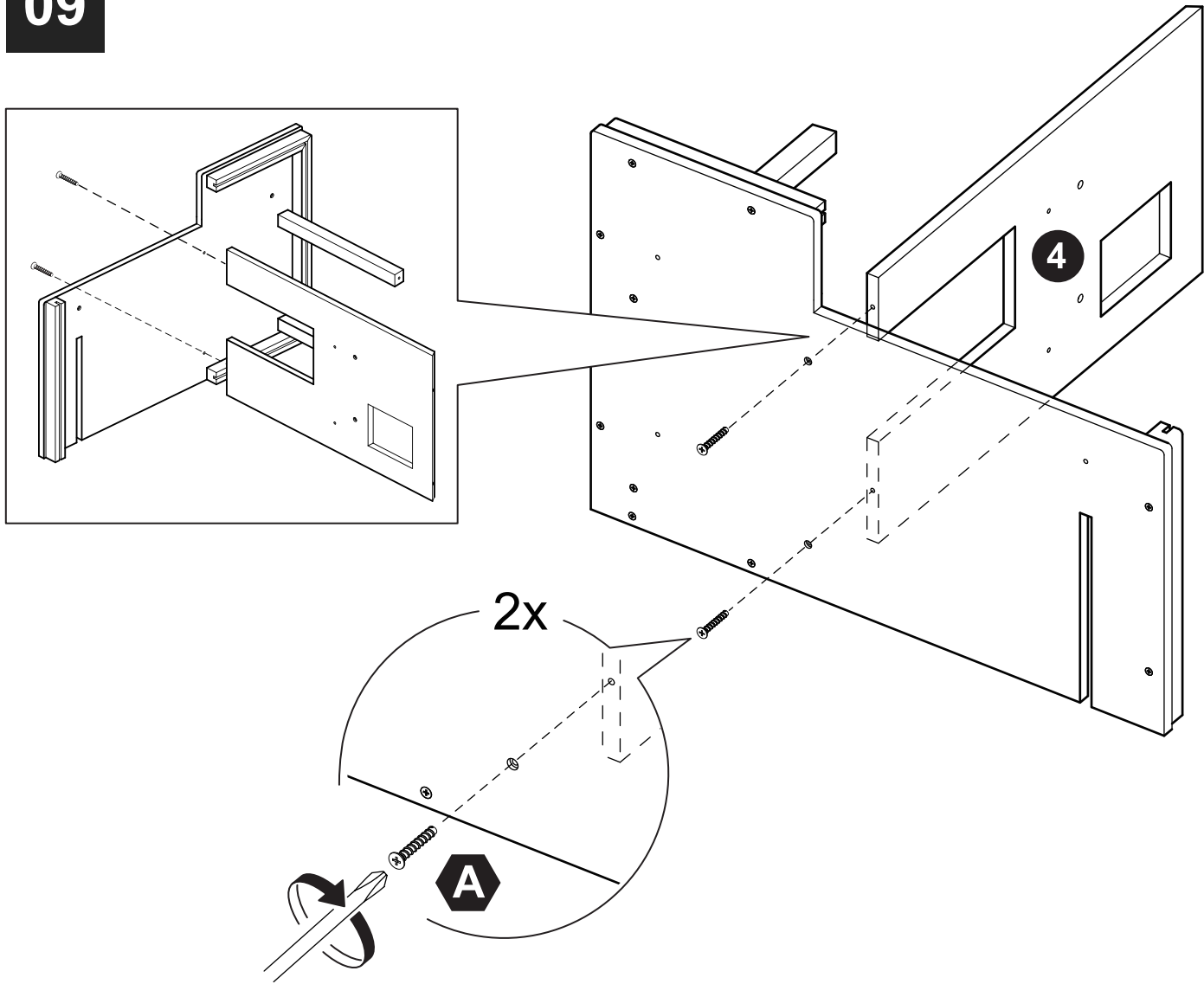


! Note:

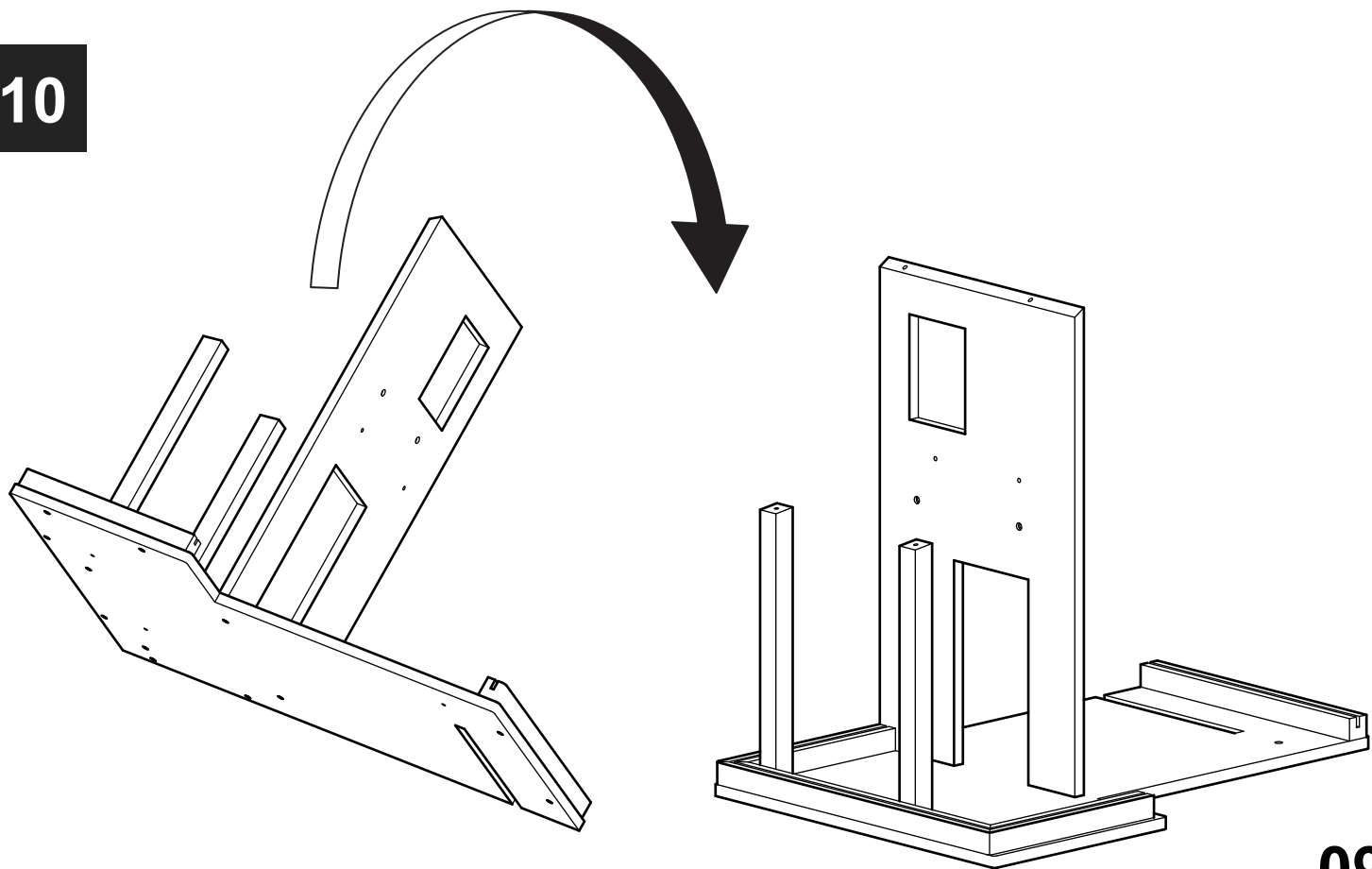
As shown, refer to the label position of piece 18 for installation.

08

09

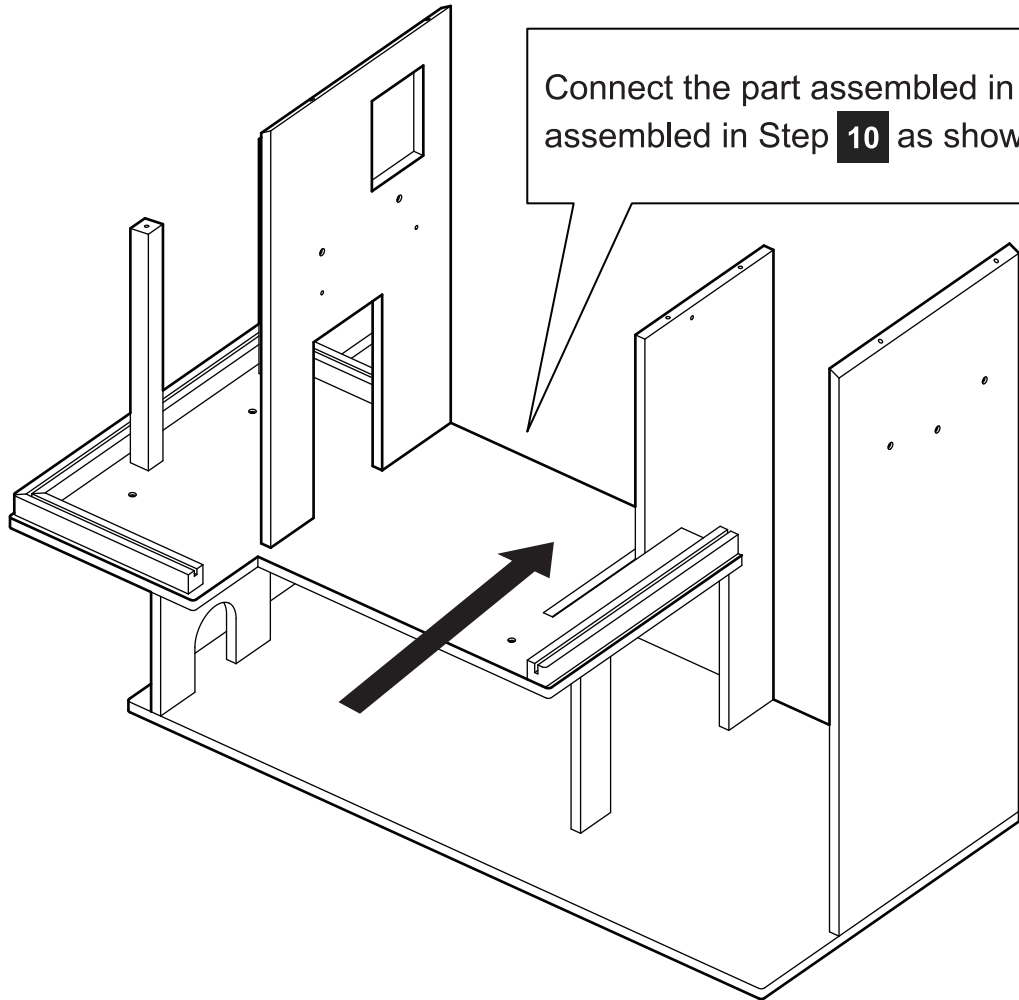


10

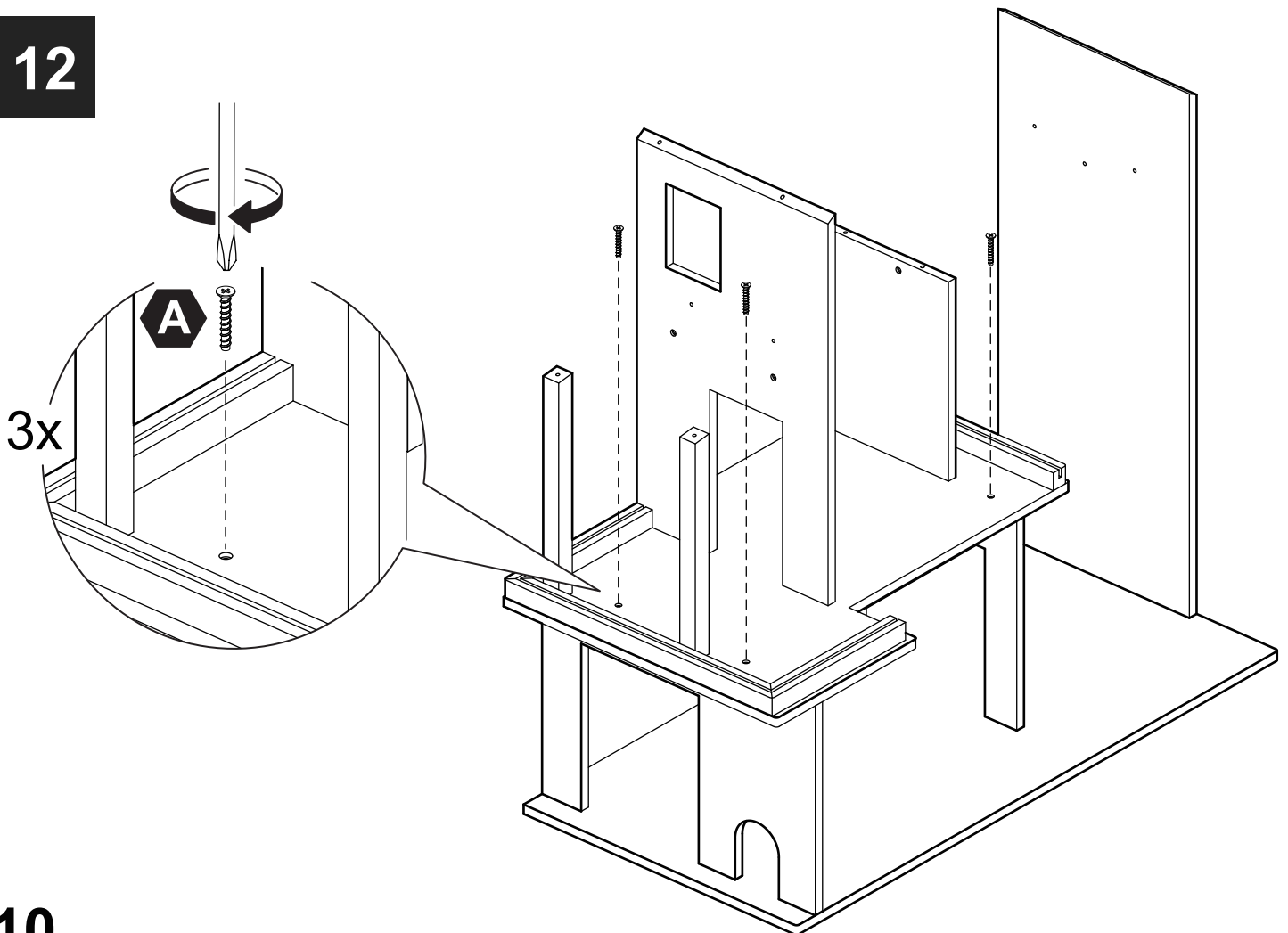


09

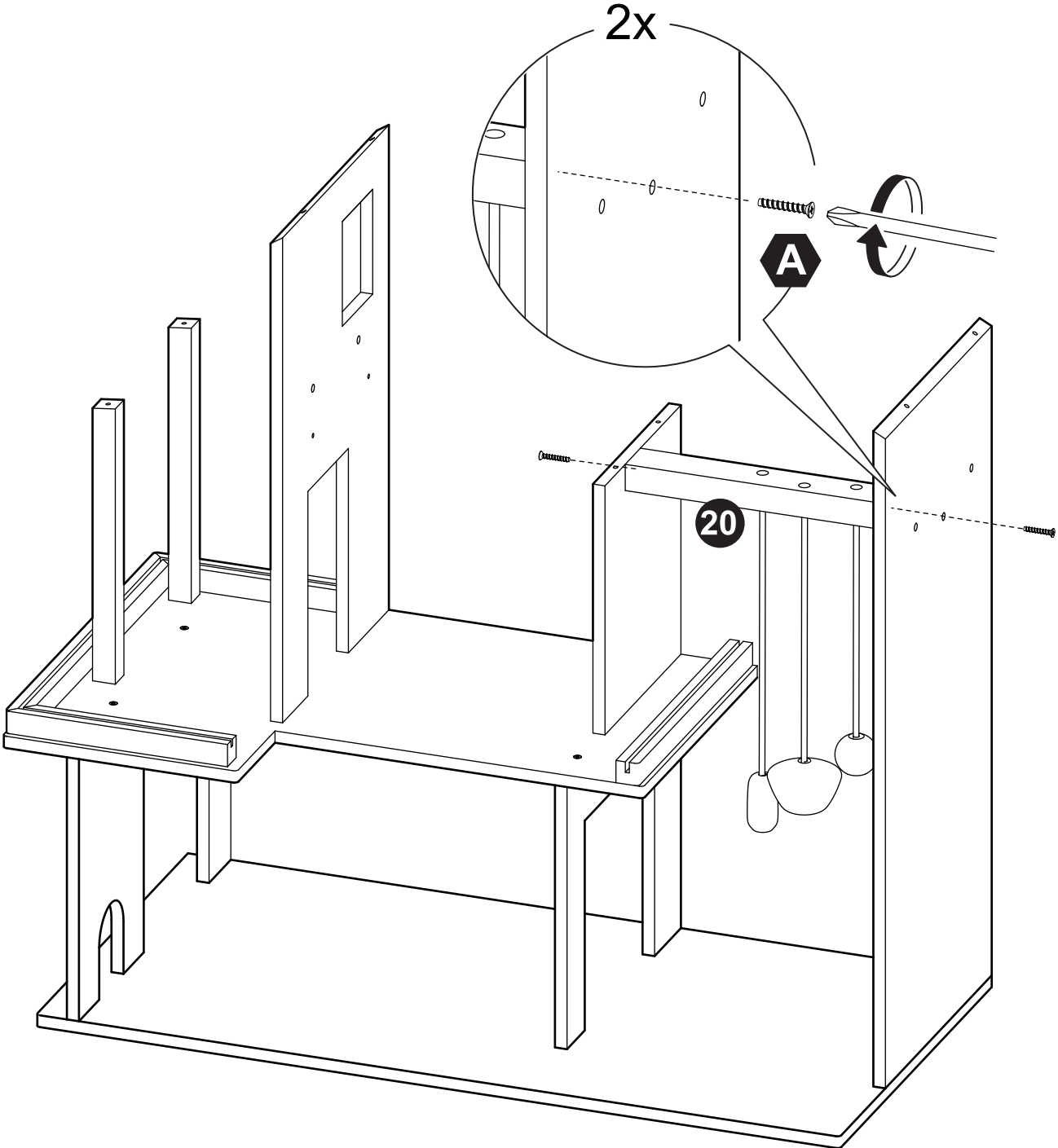
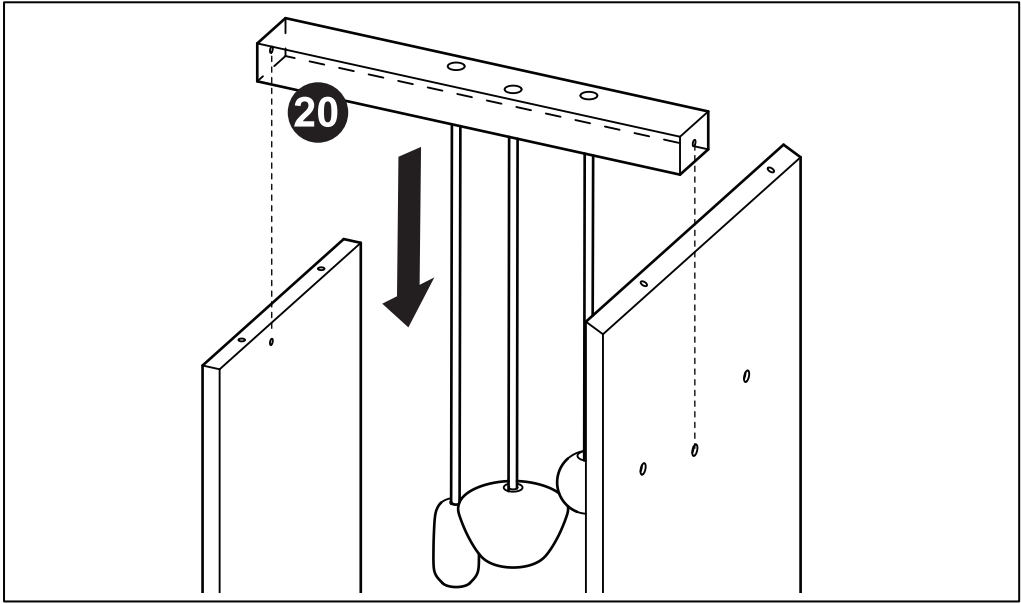
11



12

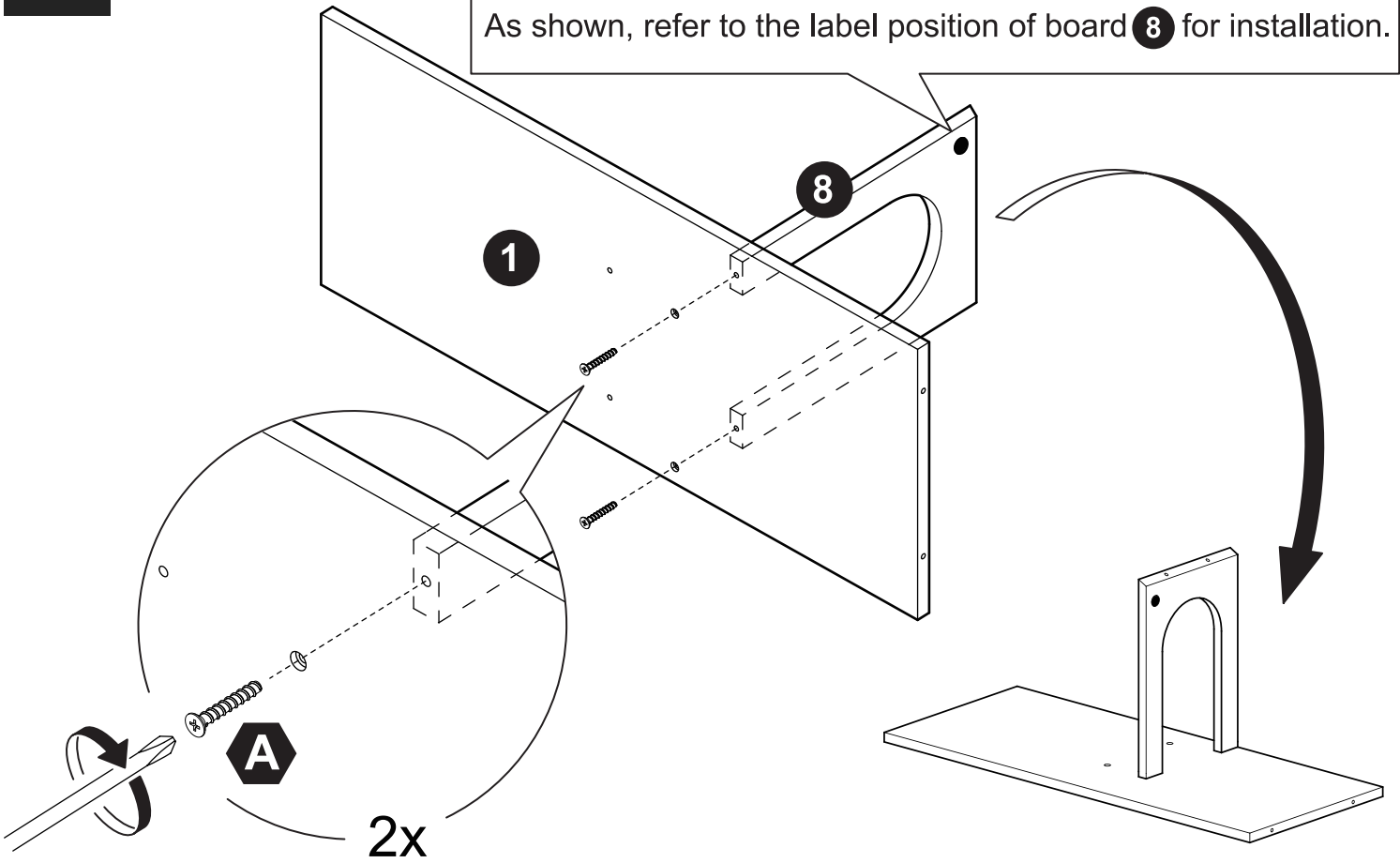


10



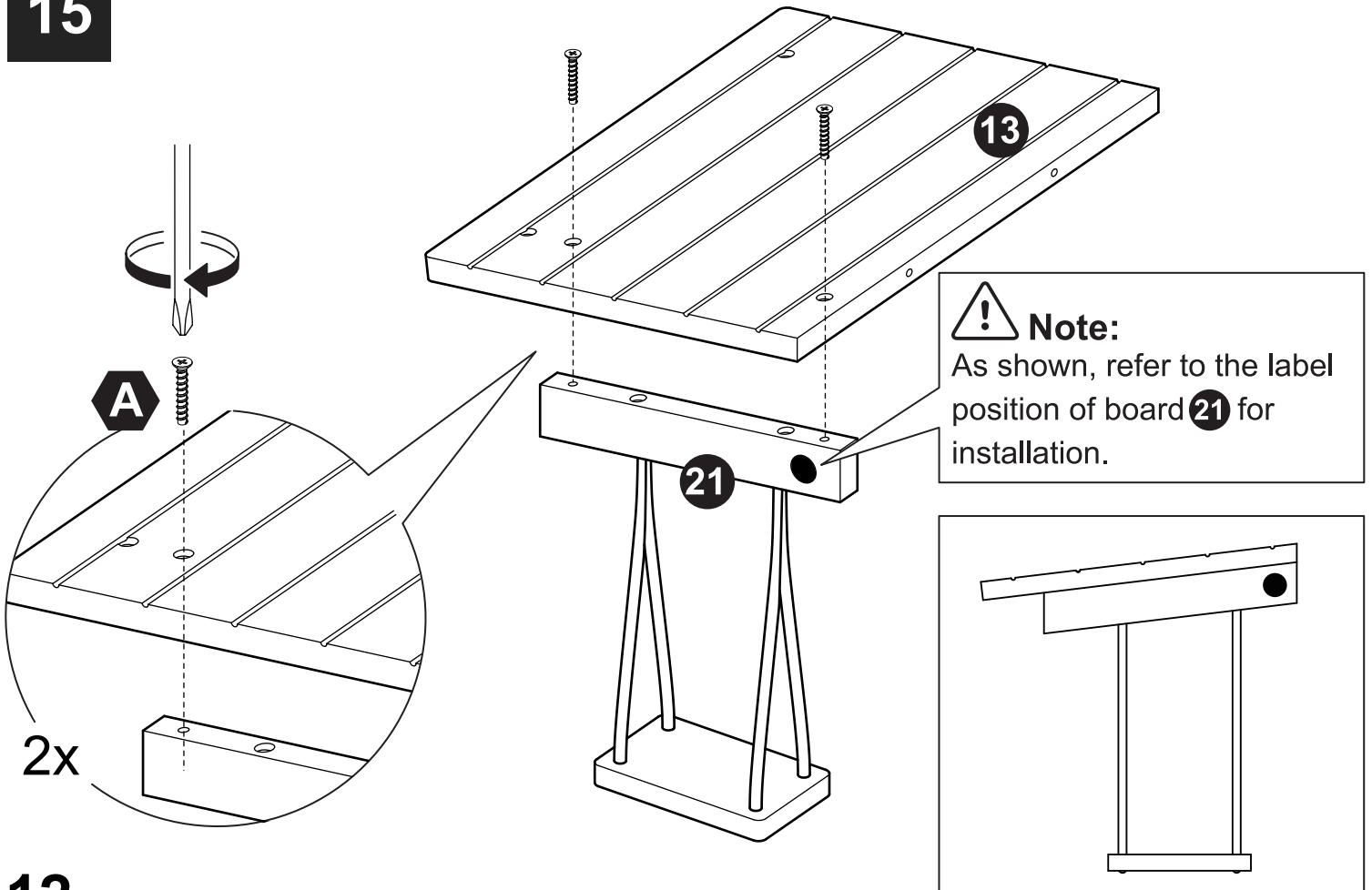
14

Note:
As shown, refer to the label position of board 8 for installation.



15

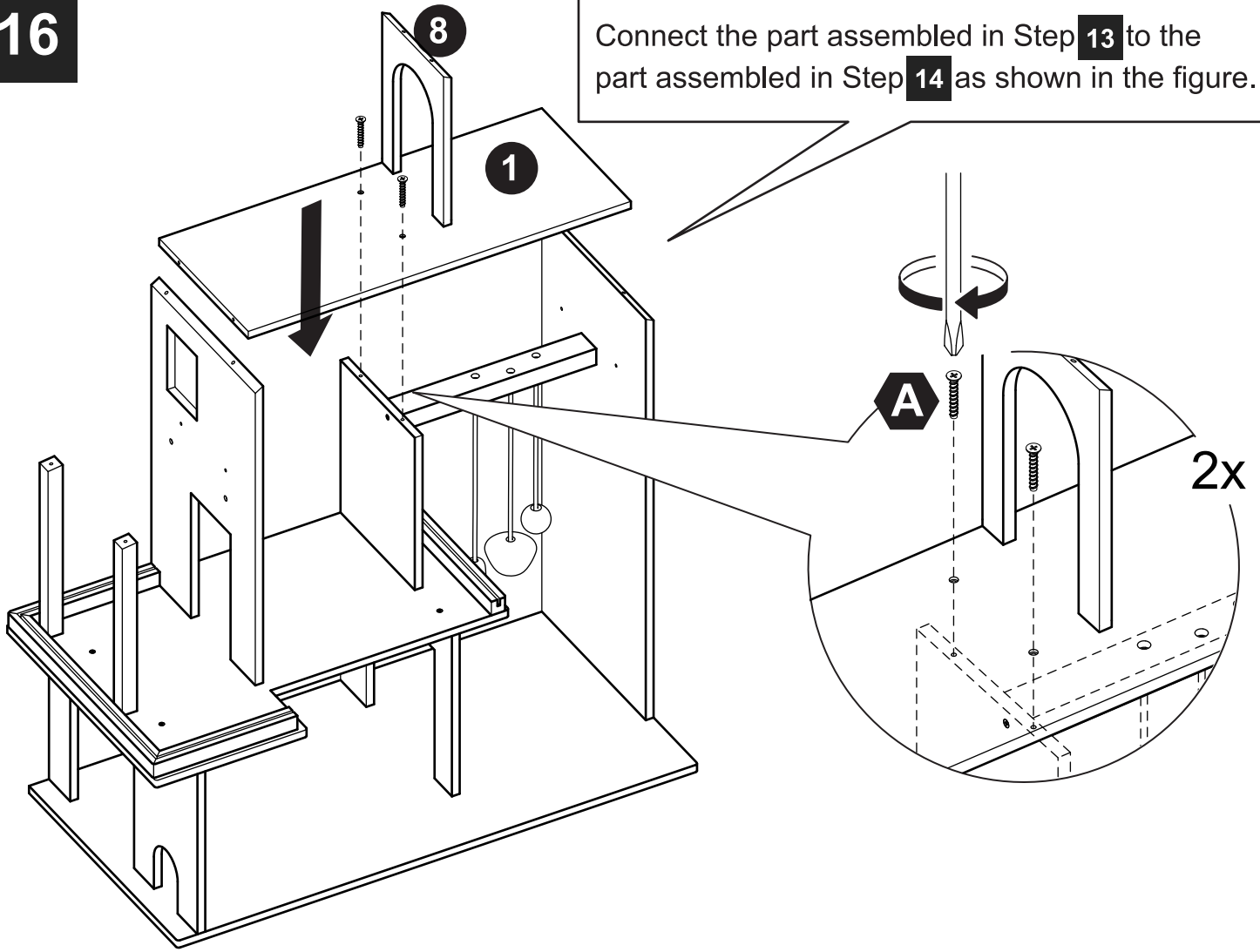
Note:
As shown, refer to the label position of board 21 for installation.



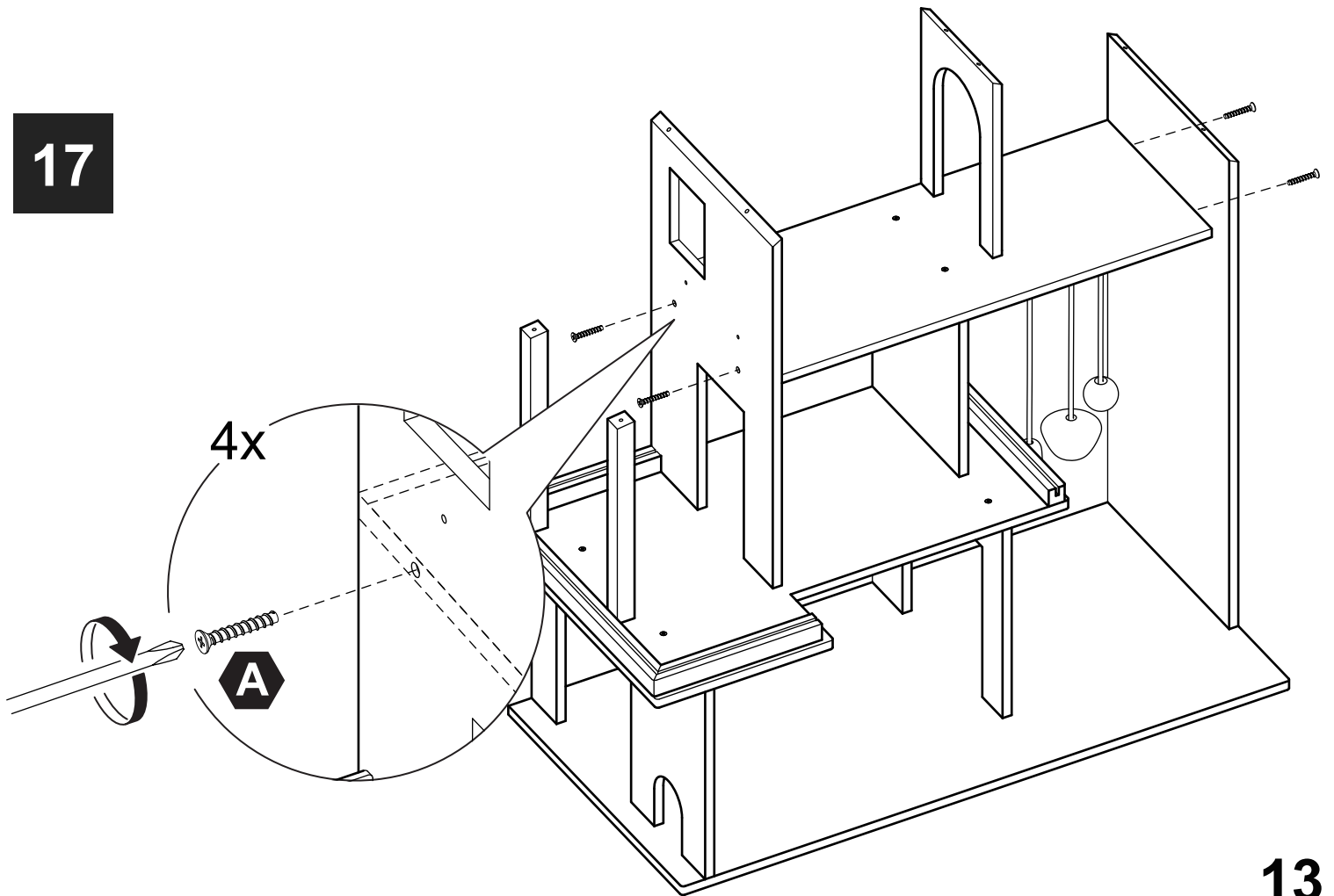
12

16

Connect the part assembled in Step 13 to the part assembled in Step 14 as shown in the figure.



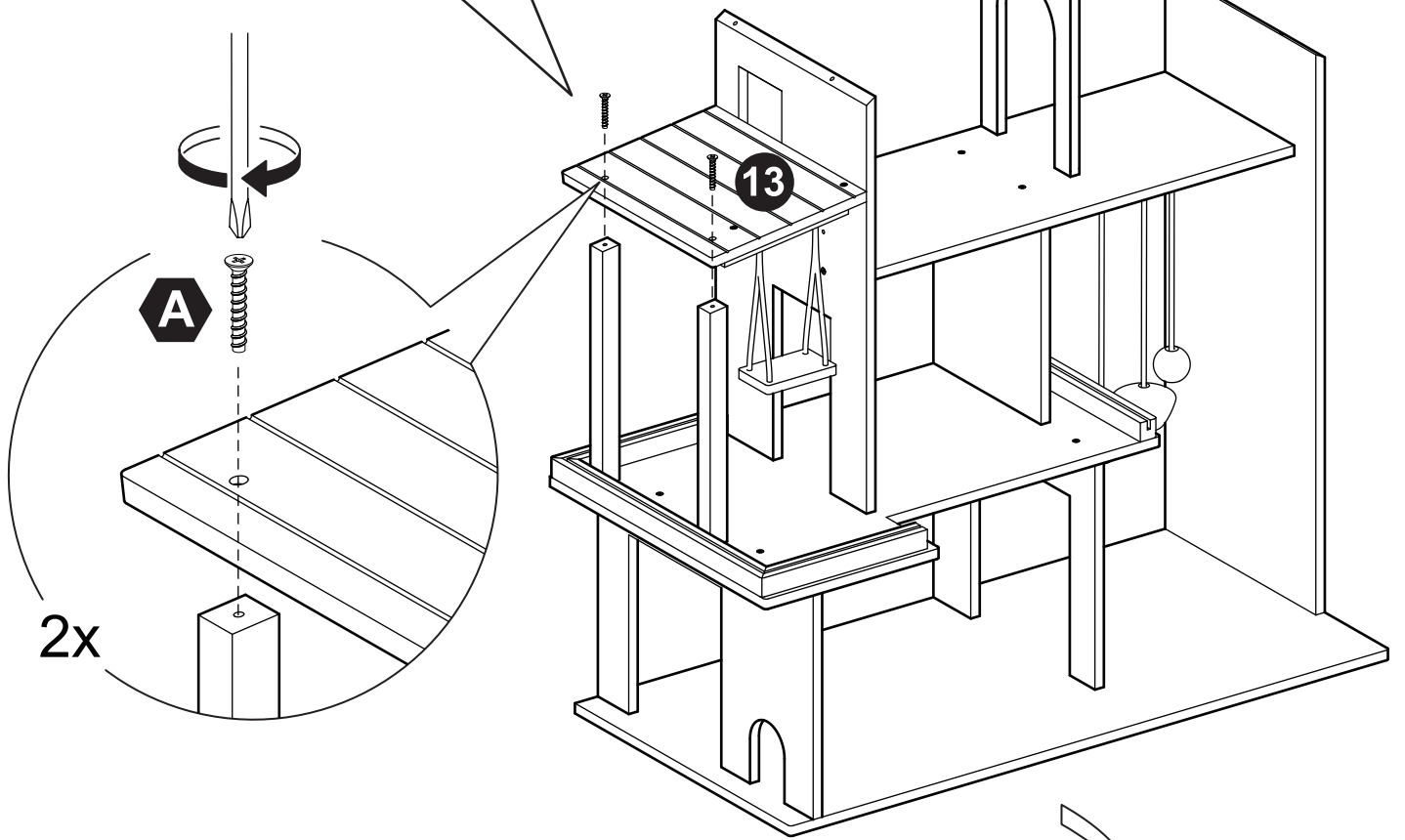
17



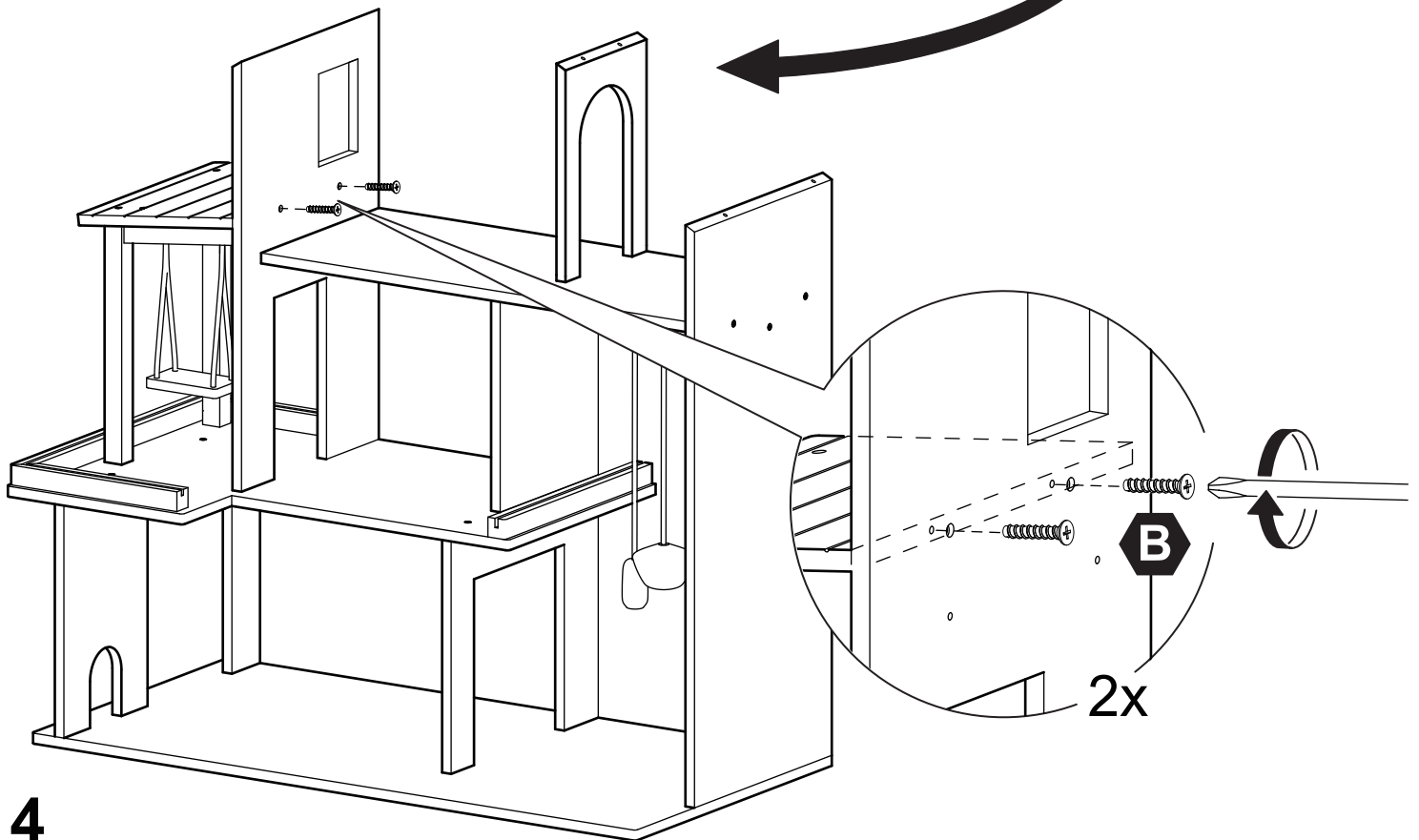
13

18

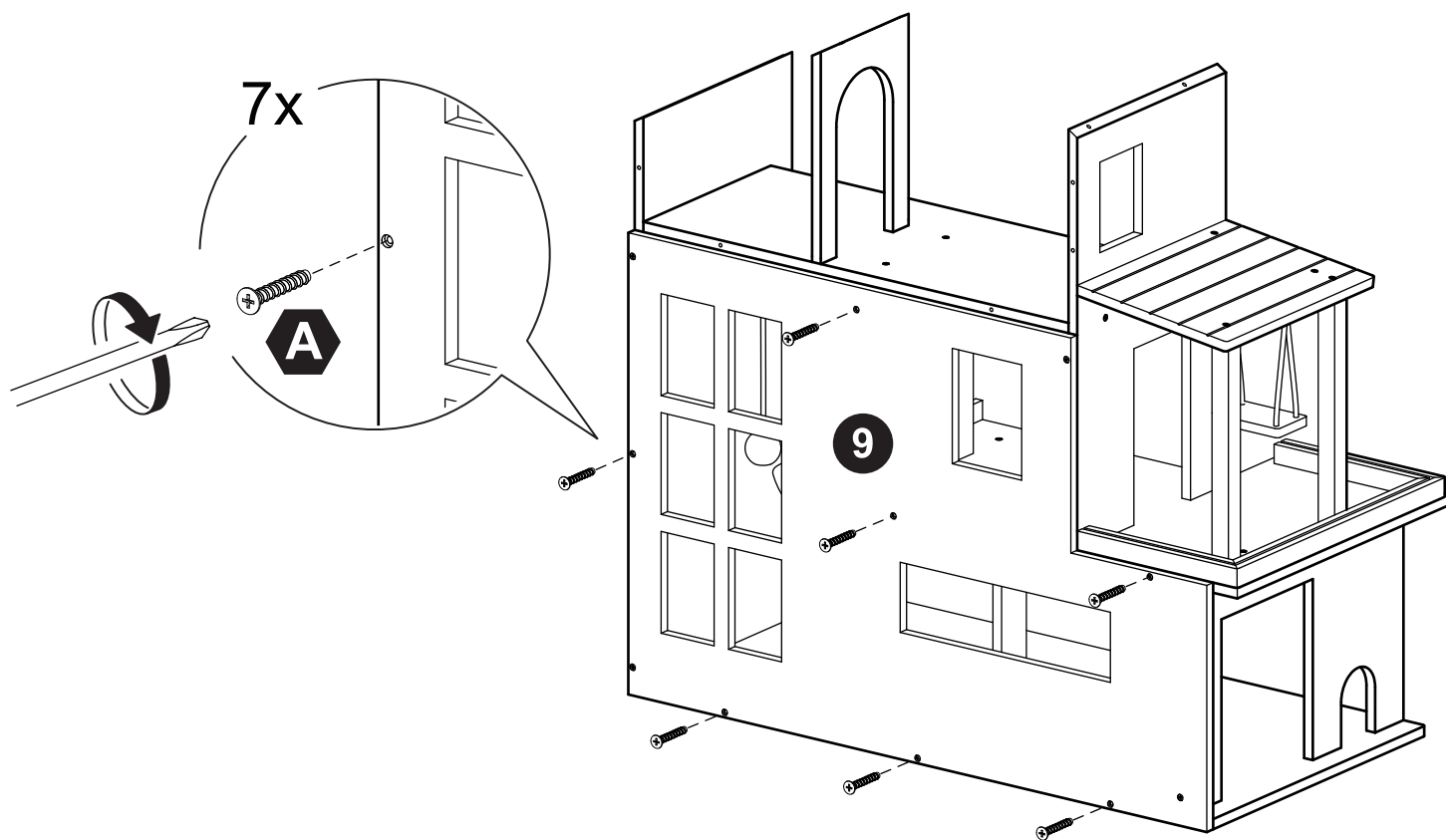
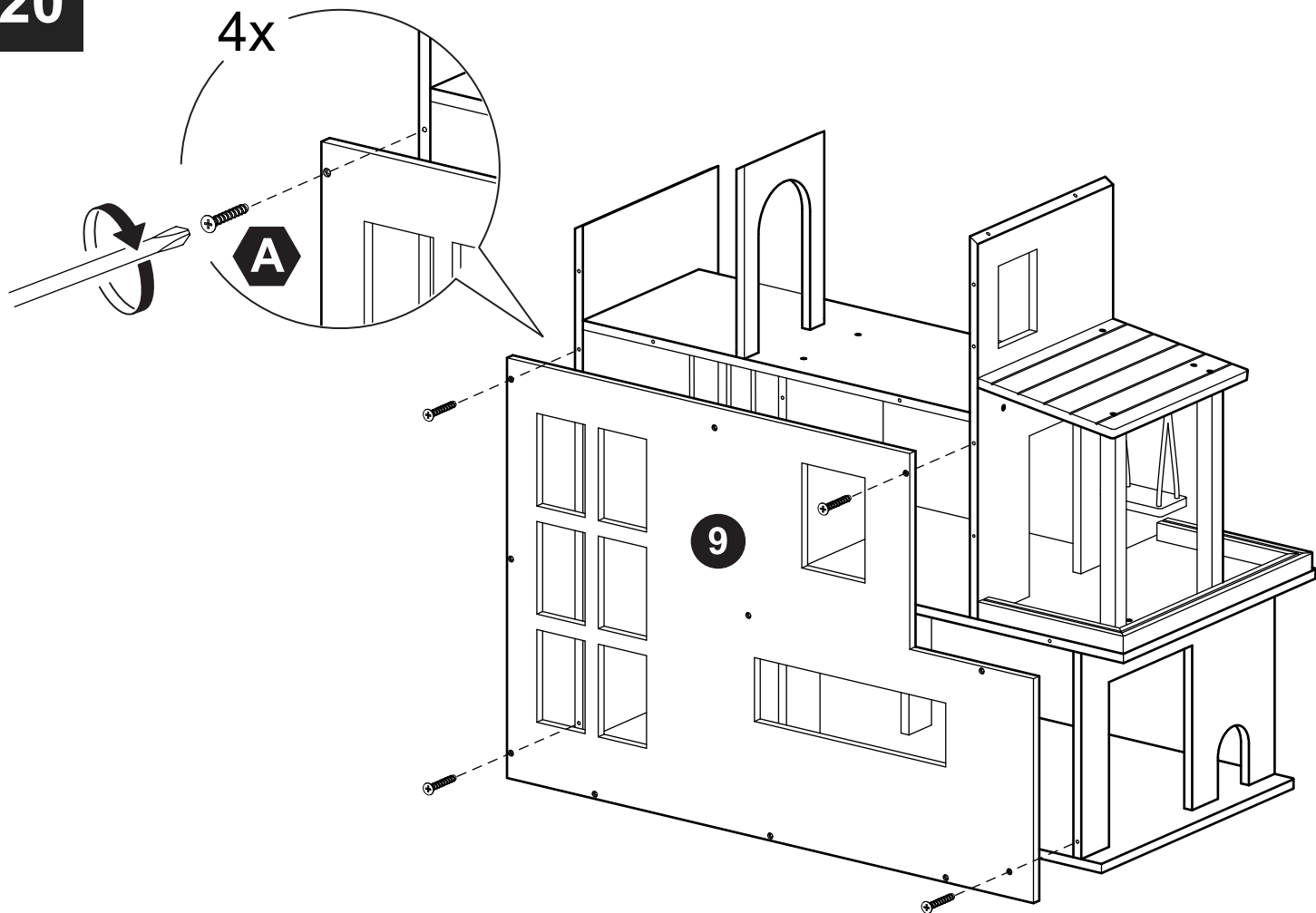
Connect the part assembled in Step 15 to the part assembled in Step 17 as shown in the figure.



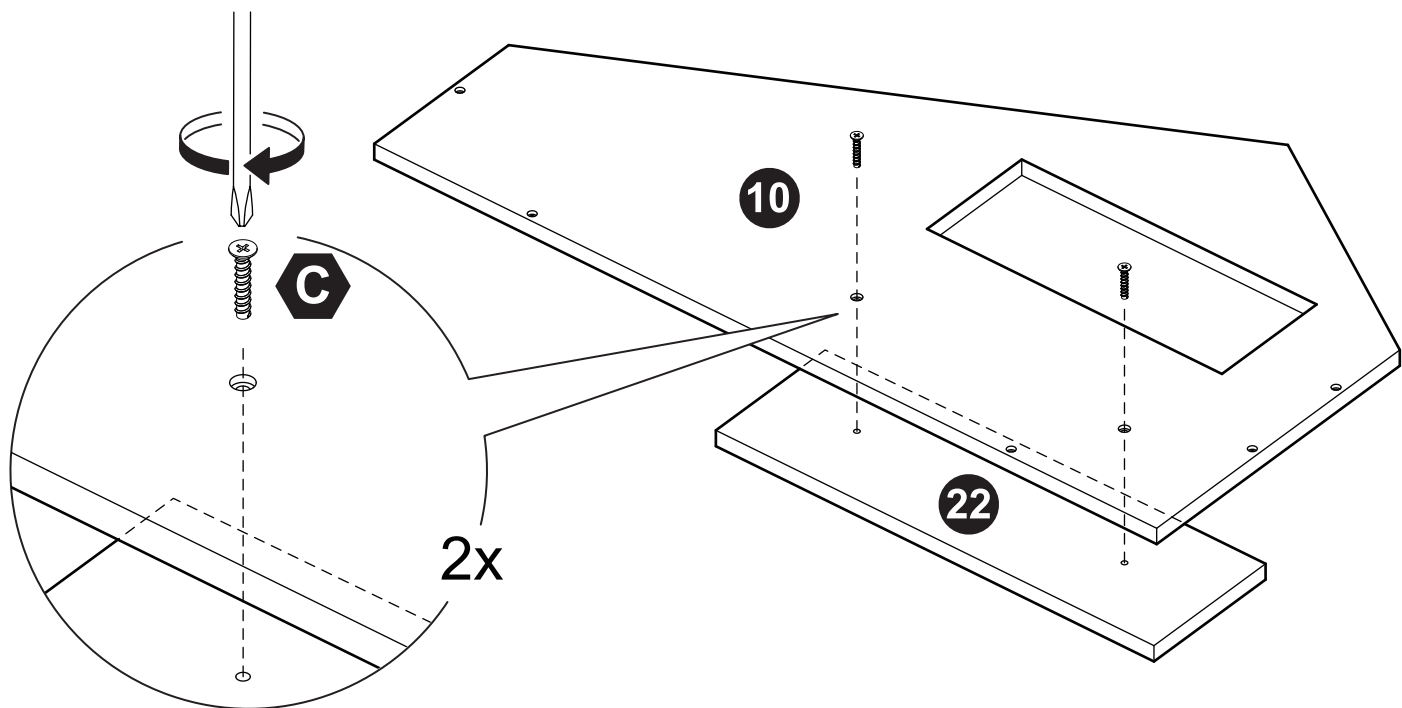
19



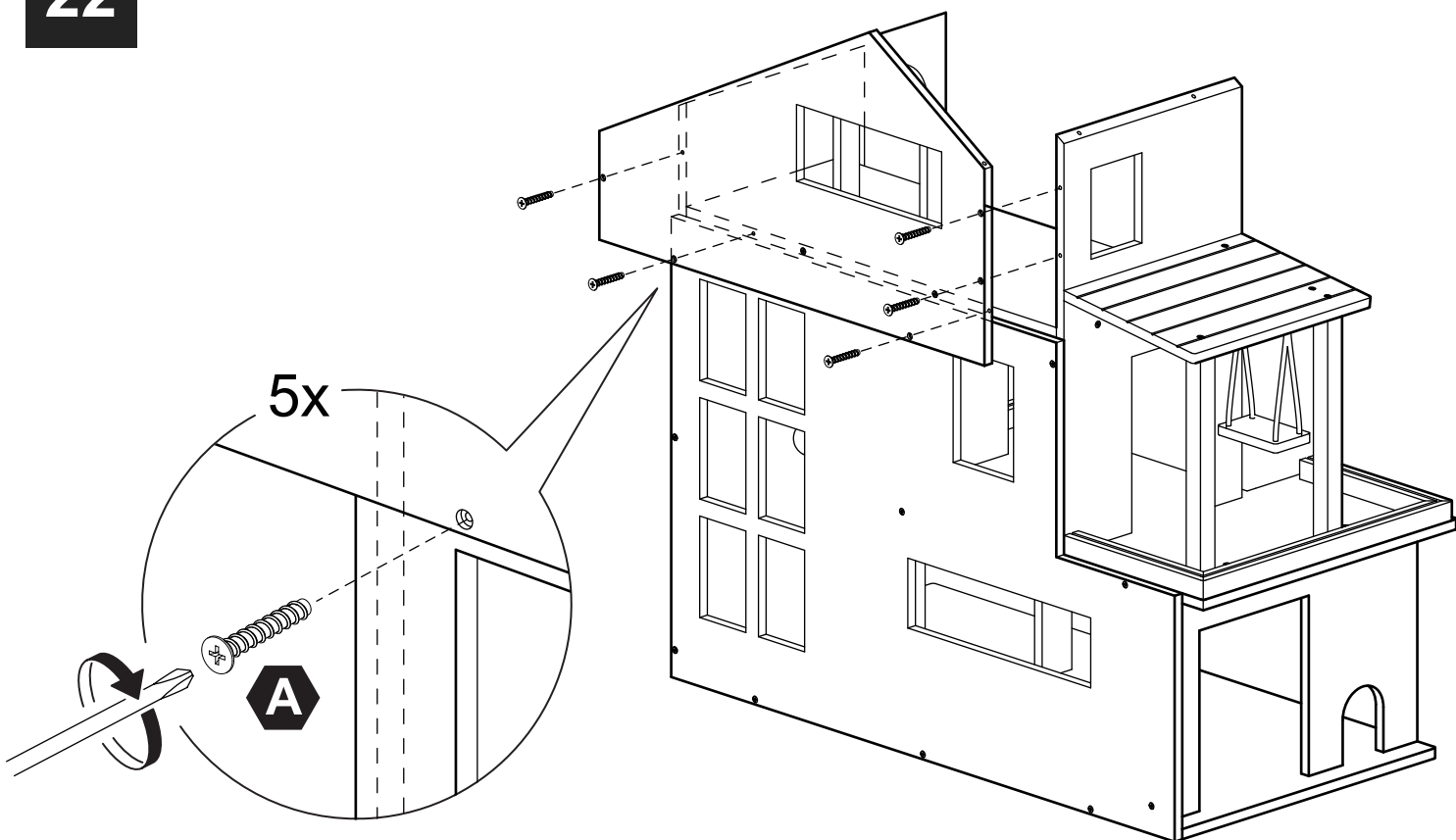
14



21

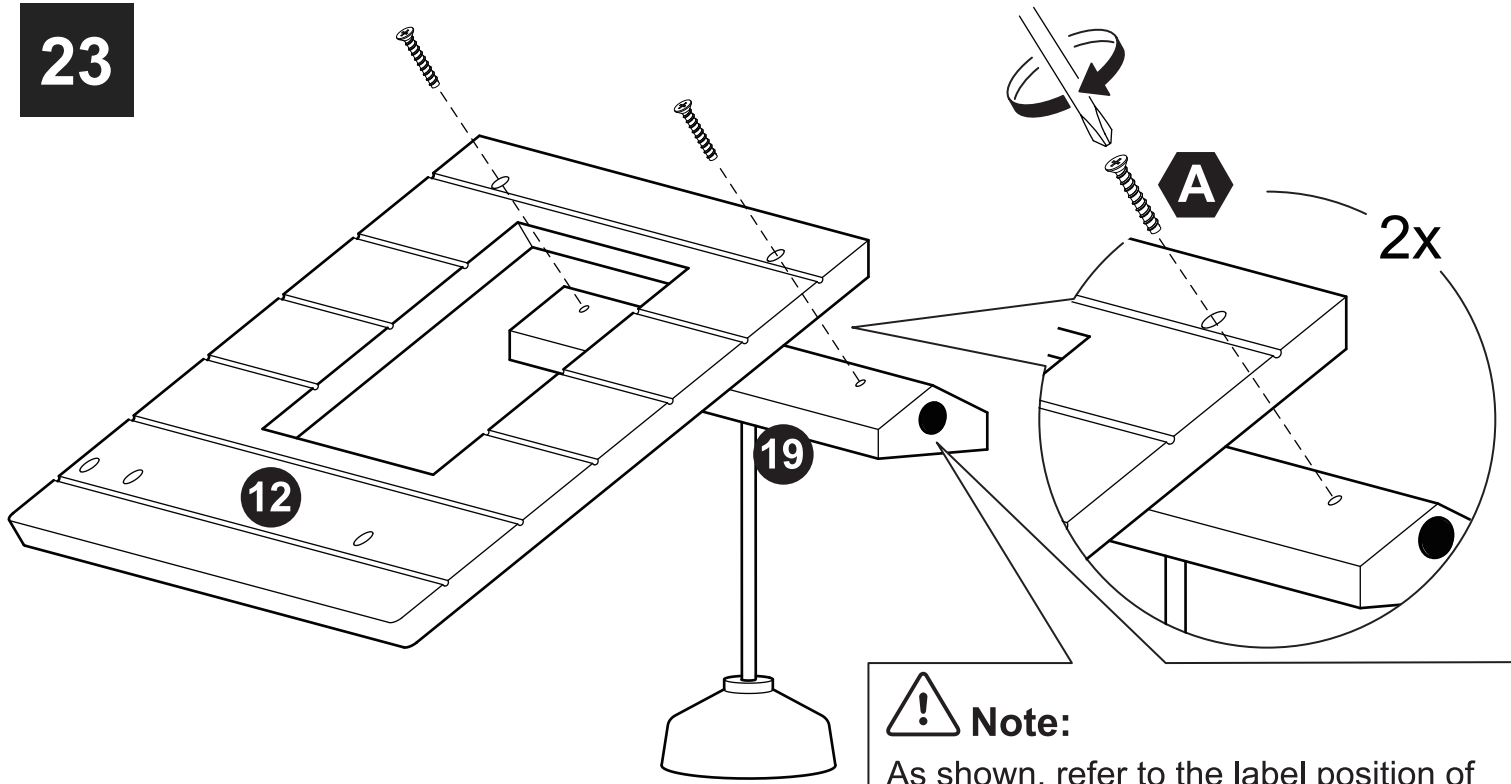


22



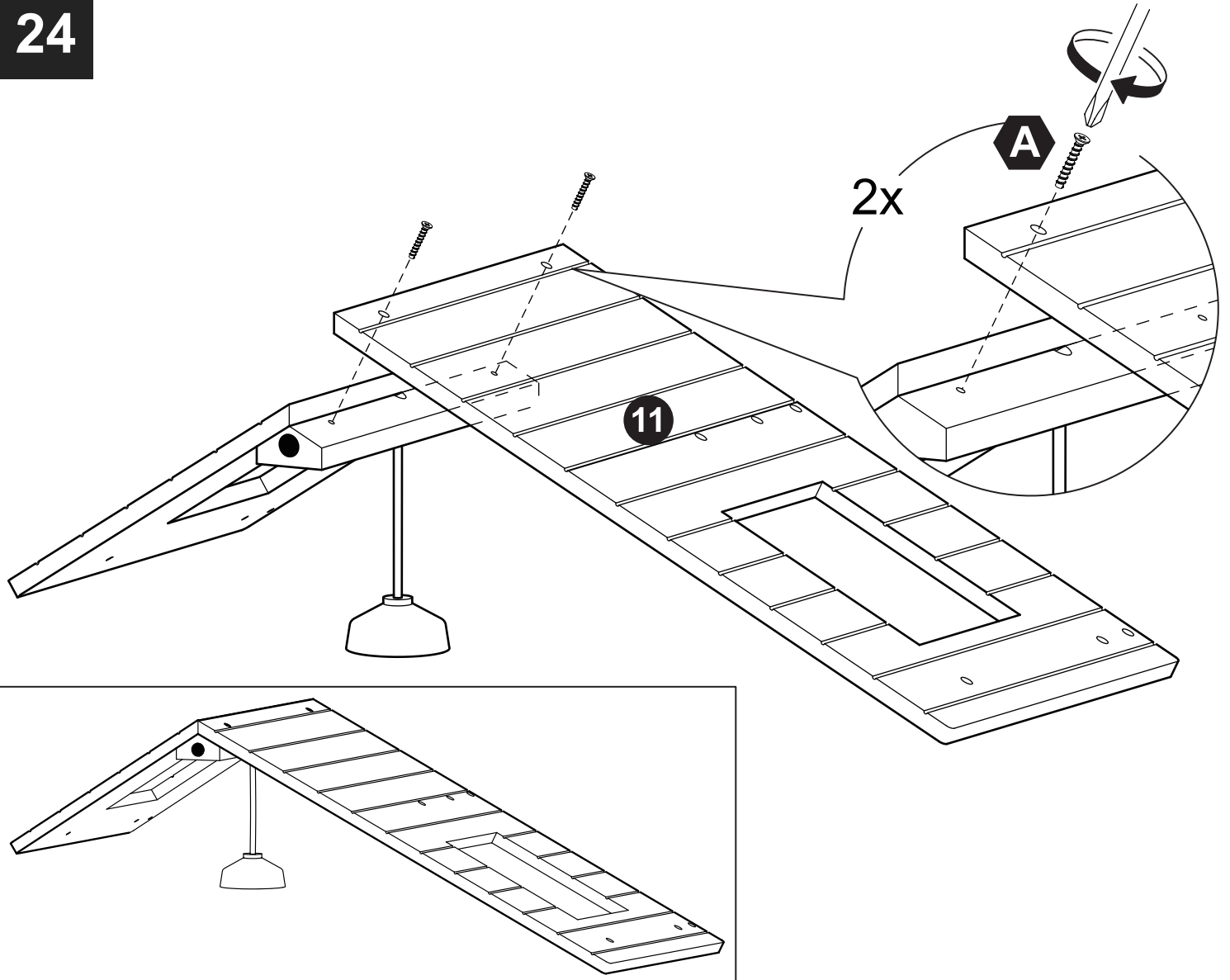
16

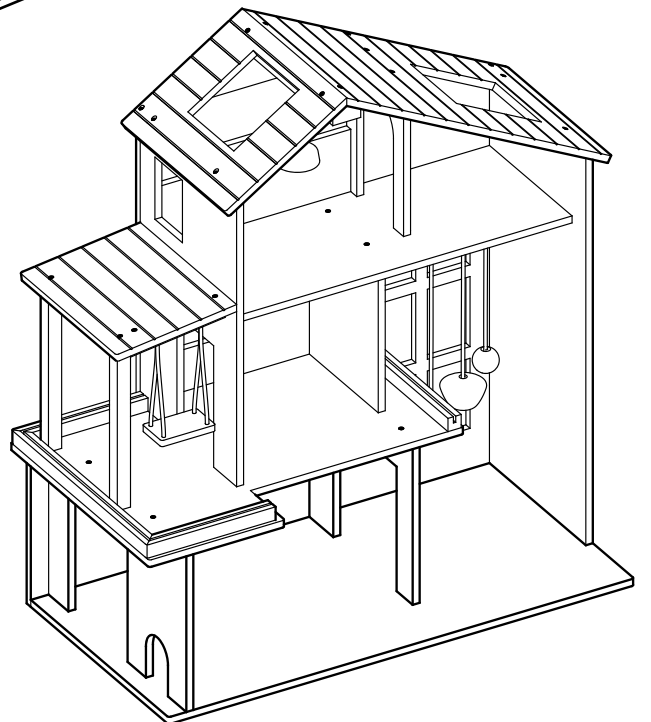
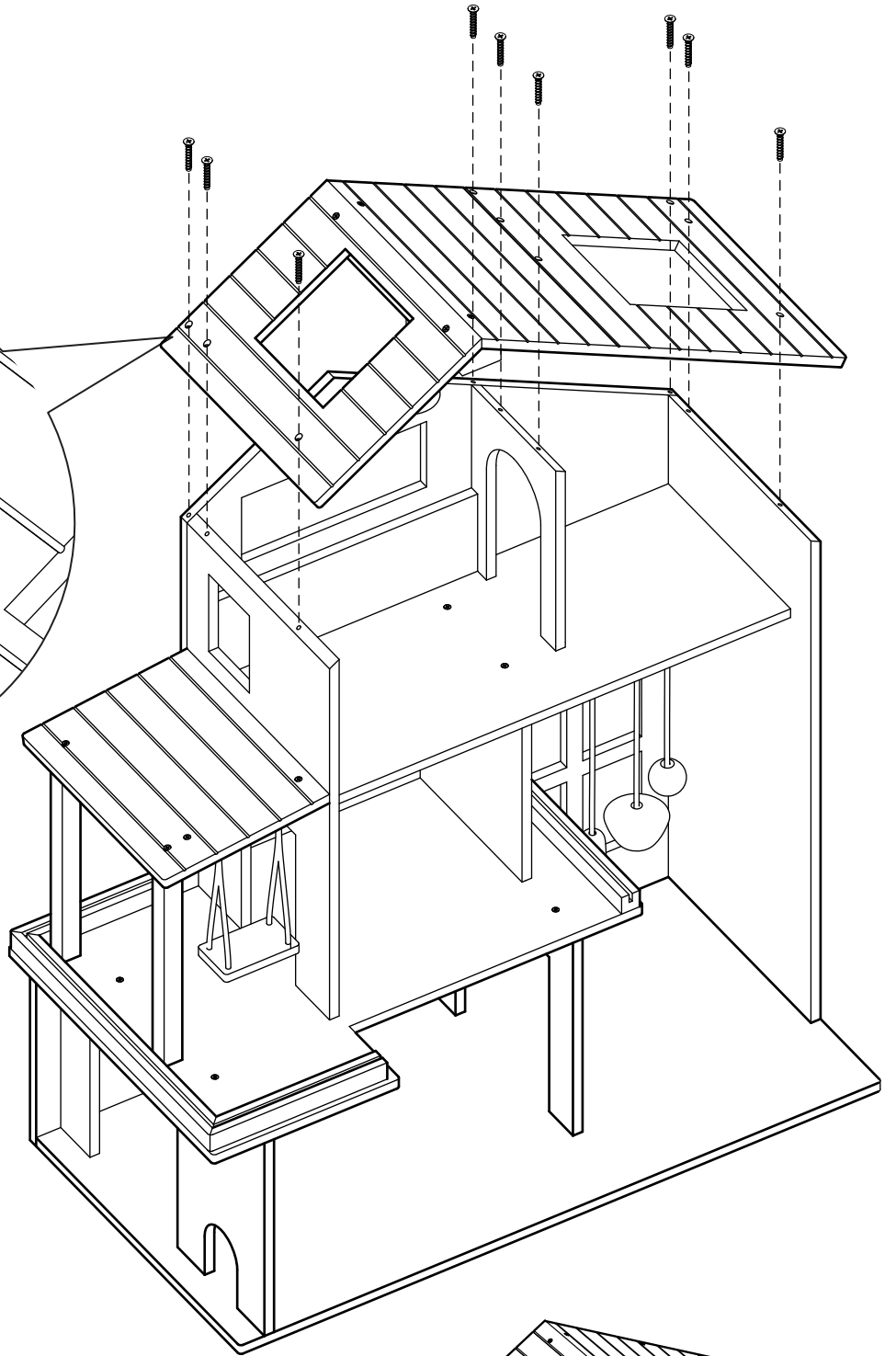
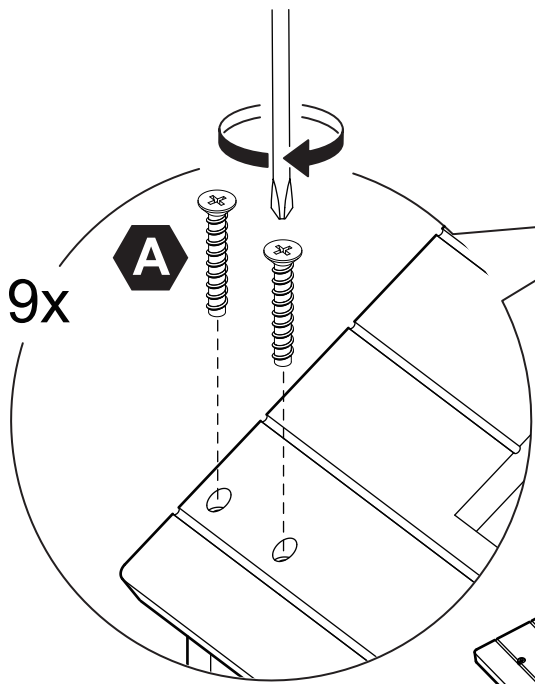
23



! **Note:**
As shown, refer to the label position of board **19** for installation. The right edges of parts **19** and **12** should be aligned.

24

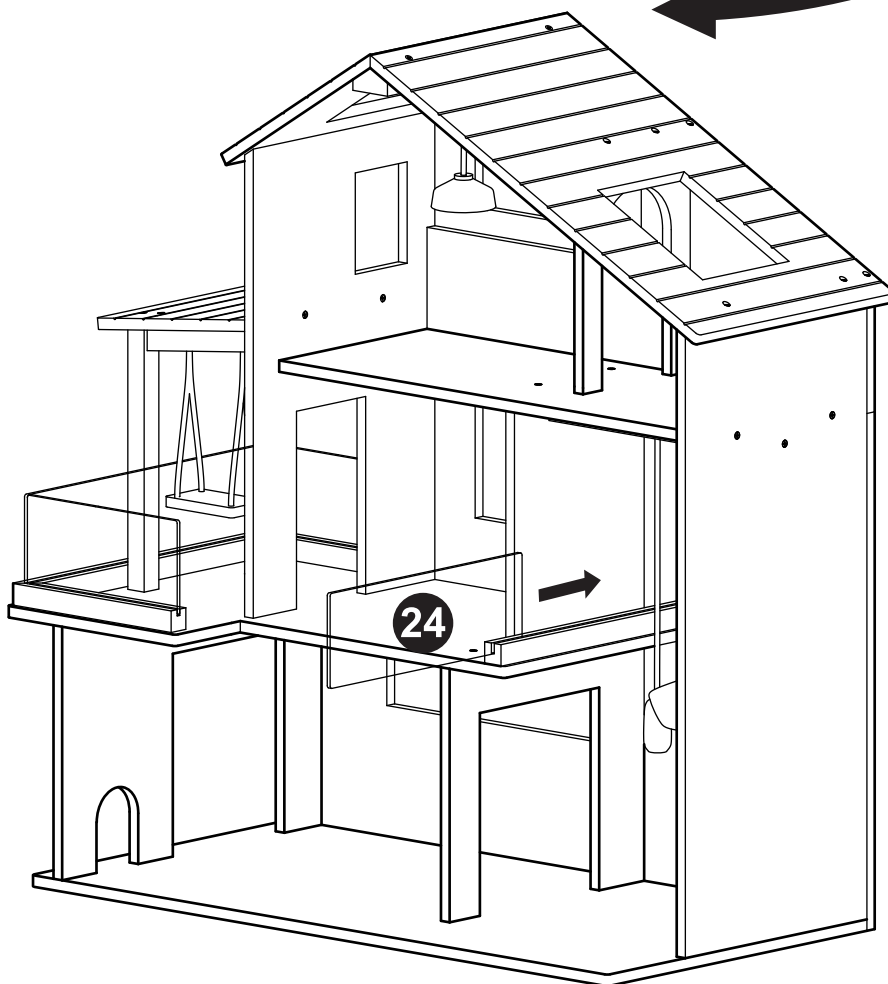
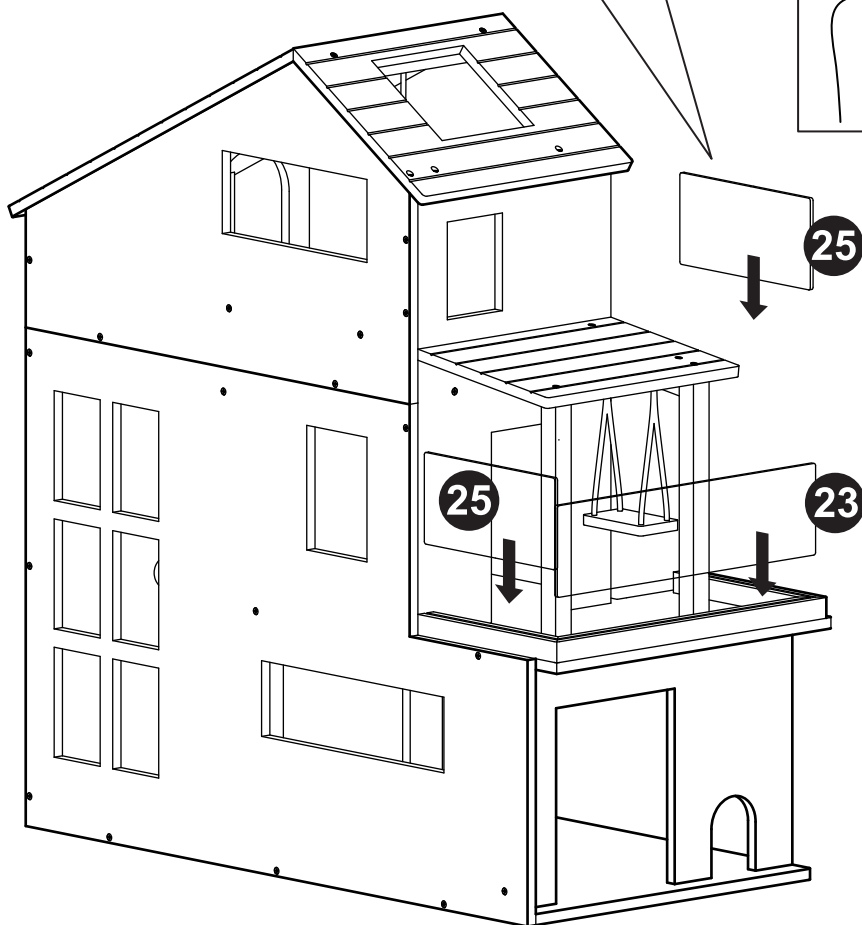
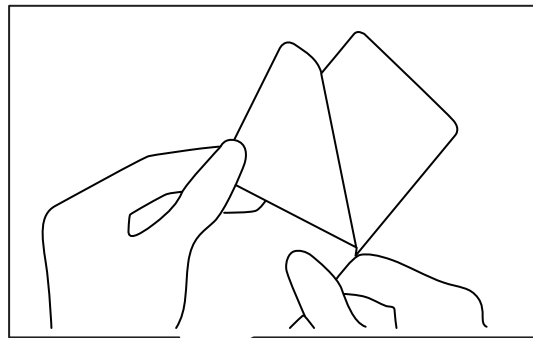






Note:

Remove the protective film from parts **23**, **24**, and **25** and then install.



Please adhere the clock, wall painting, and mirror onto their respective positions using round patch as indicated.

9



1. Remove the protective film from one side of the sticky patch.

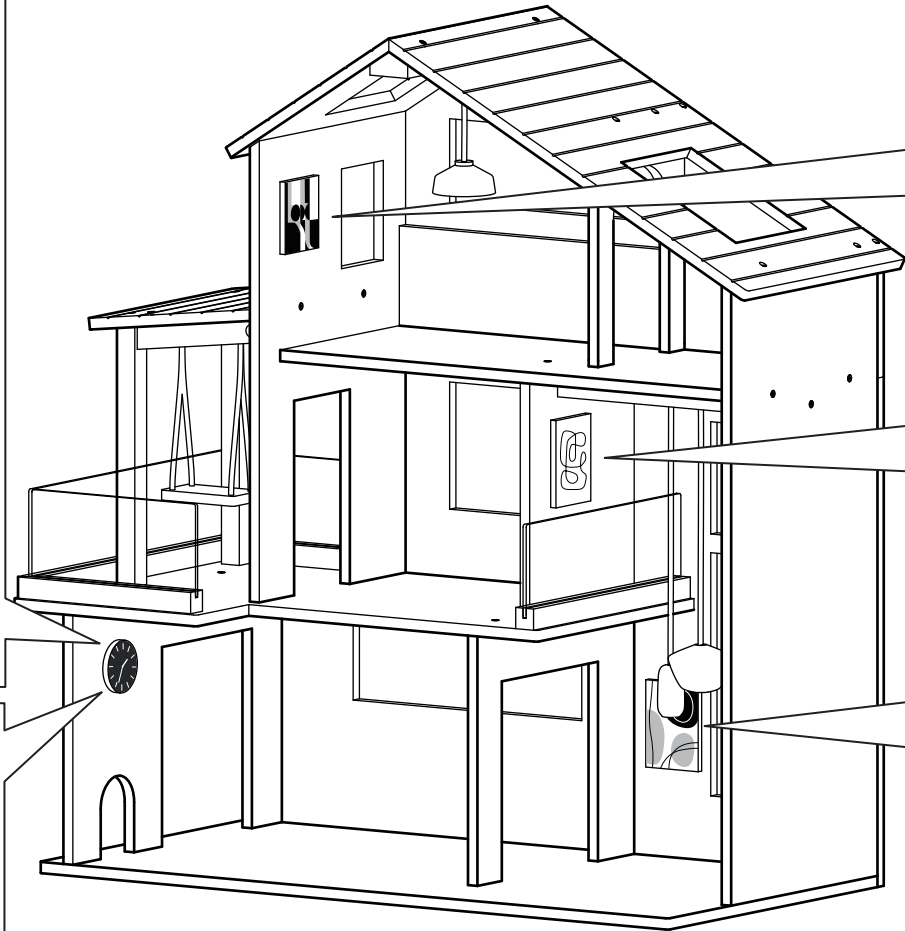


2. Put the sticky patch to the back of the clock.



3. Remove the protective film on the other side of the patch and paste it in the corresponding position.

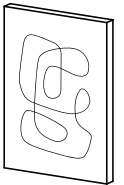
15



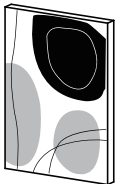
13



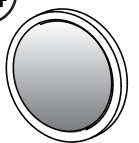
12



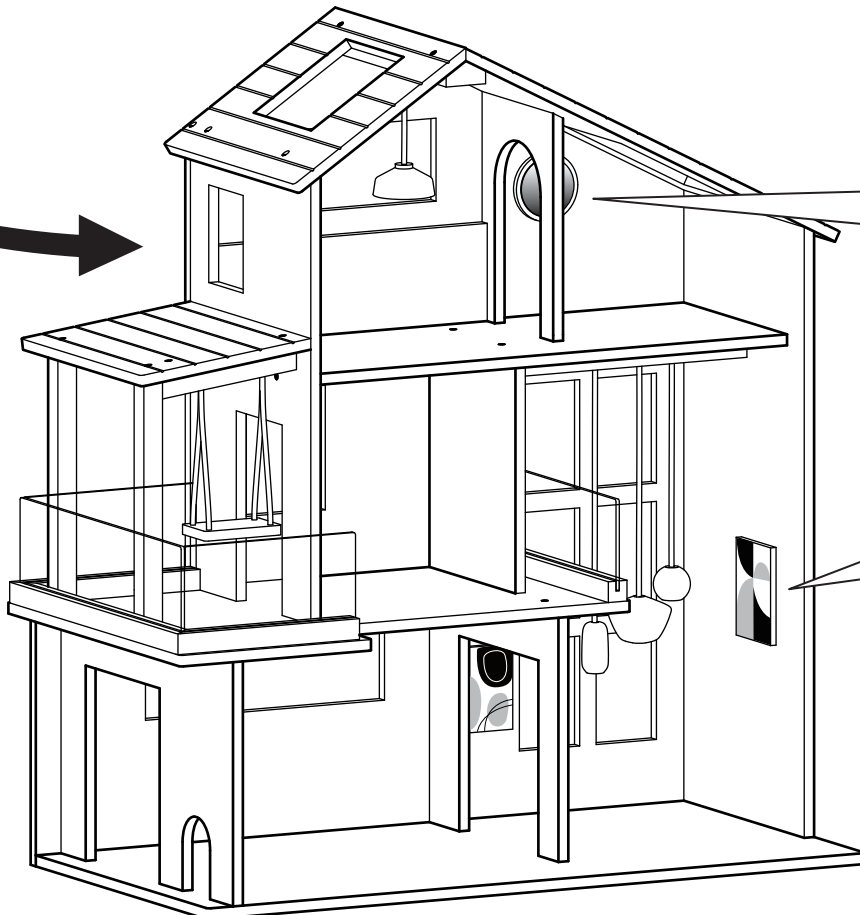
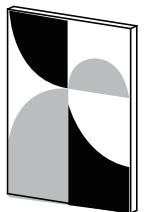
11

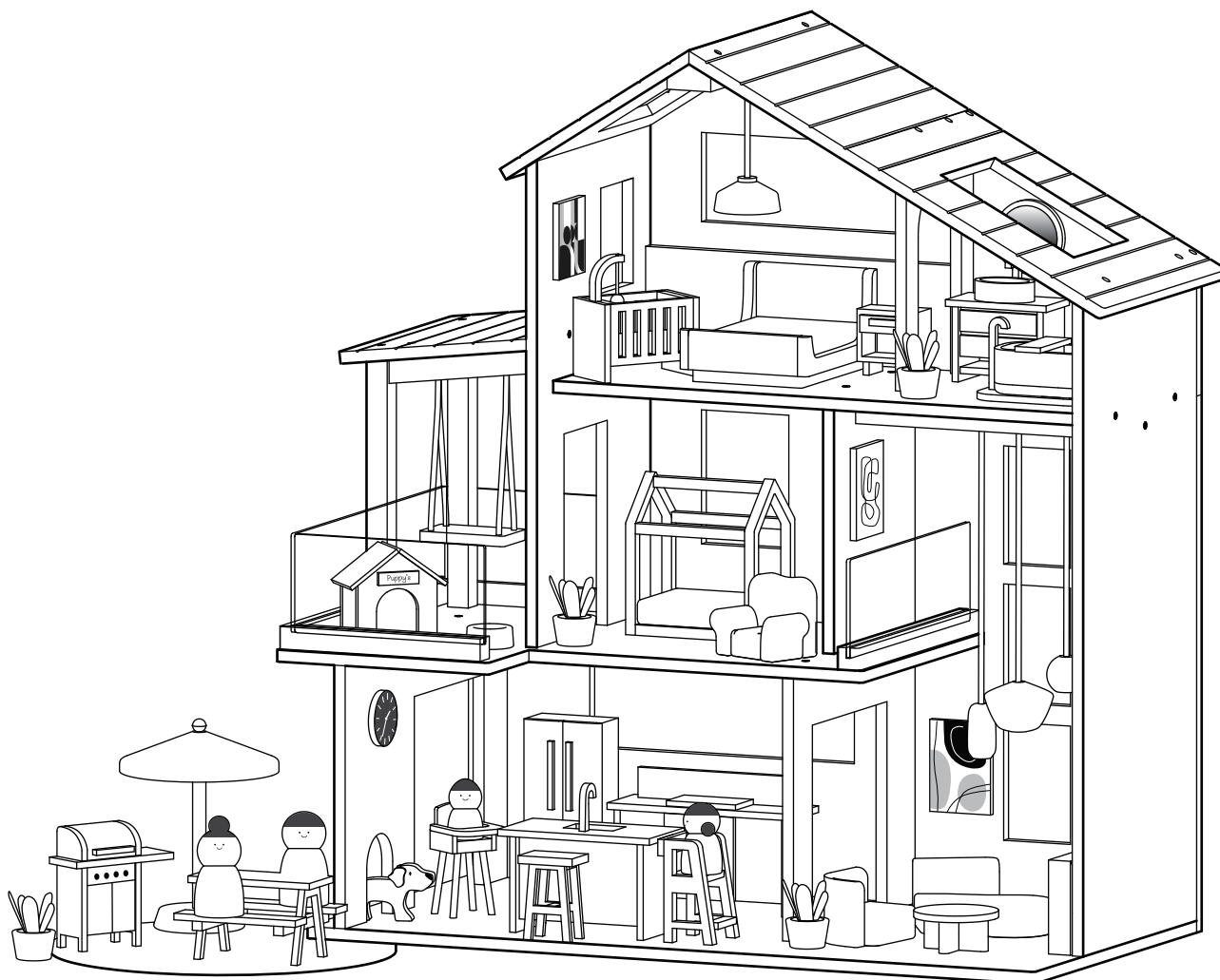


14



10





As shown in the figure,
place the accessories inside and a dreamlike modern doll house is assembled!