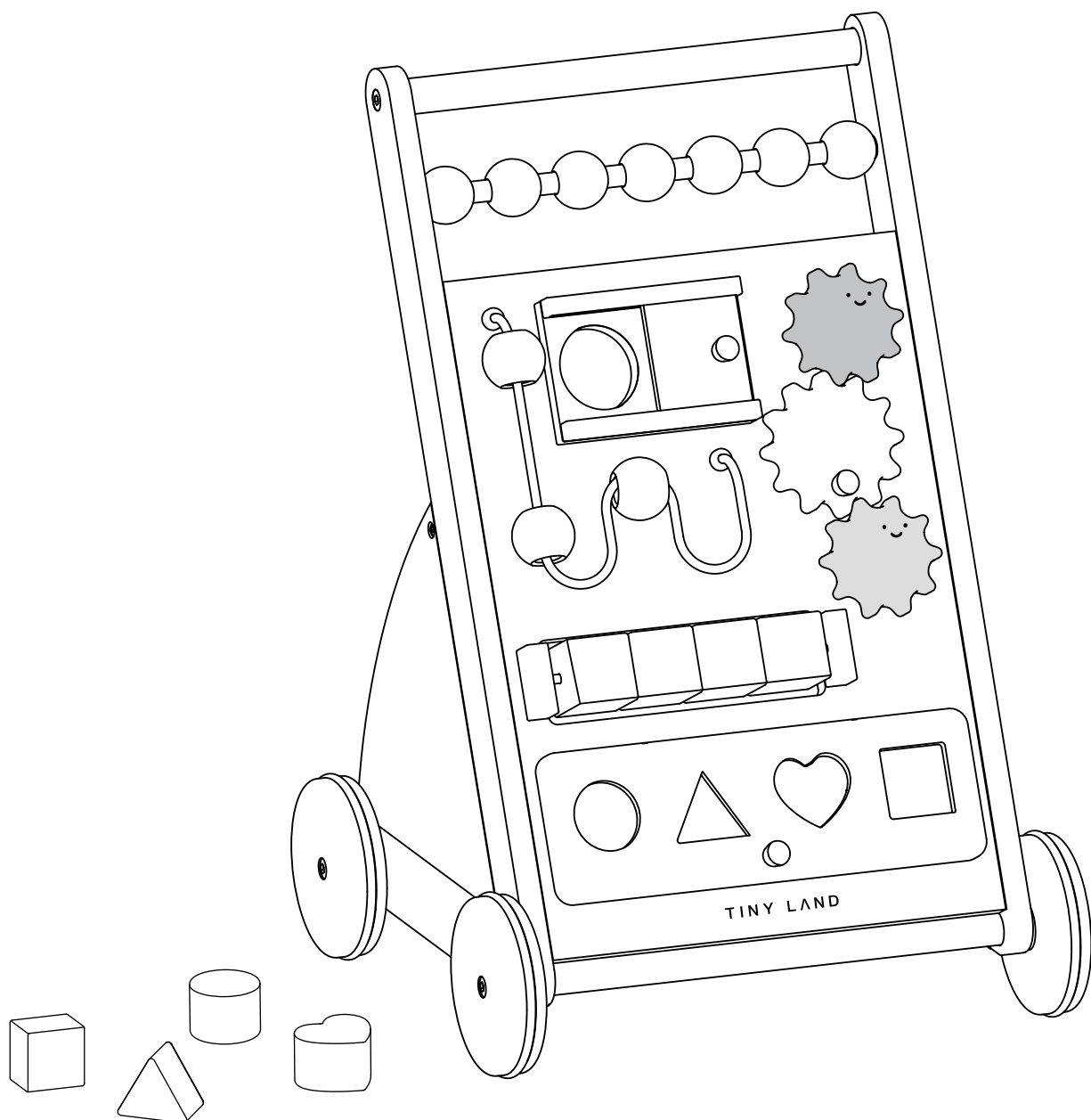


BABY WALKER

TINY LAND

ASSEMBLY INSTRUCTIONS

1 YEARS+



PLEASE READ FIRST

IMPORTANT: HELPFUL HINTS ARE FOUND HERE

- Do not over-tighten screws when assembling.
- Laying out all accessories on a hard, flat, and level surface for installation.
- When assembling a part using several screws, please align them with the corresponding holes and gently tightening them first. Ensure that all screws are properly aligned and secured and then proceed to gradually tighten each one.
- Please follow the instructions step-by-step.

PARENTAL SUPERVISION REQUIRED

- This toy is intended for children aged above 1.
- Parents should supervise the play area so that children younger than the intended age range do not interact with this toy.
- Use this toy on a hard, flat, and level surface.

CLEANING INSTRUCTIONS

- Clean the surface using a slightly damp cloth and mild dish washing liquid if necessary.
- Don't use any cleaning product containing alcohol or ammonia, which may dull the surface of the product.

SOLE AND LIMITED WARRANTY

- This toy is warranted solely against manufacturing defects for a period of 90 days from the date of purchase, which runs only to the original user of the toy. Event of a manufacturing defect, parts will be replaced or the entire product will be replaced or the purchase price will be refunded, at the election of the manufacturer.
- To activate and protect this warranty, preserve evidence of original purchase and carefully inspect the condition of the toy prior to and after assembly, looking for missing degraded, broken or hazardous parts, including parts / which can be swallowed by a child, cause a child to choke or otherwise cause injury.
- When you observe any defects, don't use the toys and contact us immediately. Misuse, improper assembly, failure to honor a warning, failure to supervise, inspect or maintain the toy, or damage to the toy, whether intentional or inadvertent, shall invalidate this warranty.

THANK YOU!

Thank you for choosing Tiny Land Baby Walker! This baby walker helps to improve your baby's balance and correct walking postures, and the newly designed panels help your baby to recognize colors and shapes, develop their imagination, hand-brain coordination. It is the best indispensable partner for growing babies to explore the world!



<https://bit.ly/TLTGBW001> 🔍

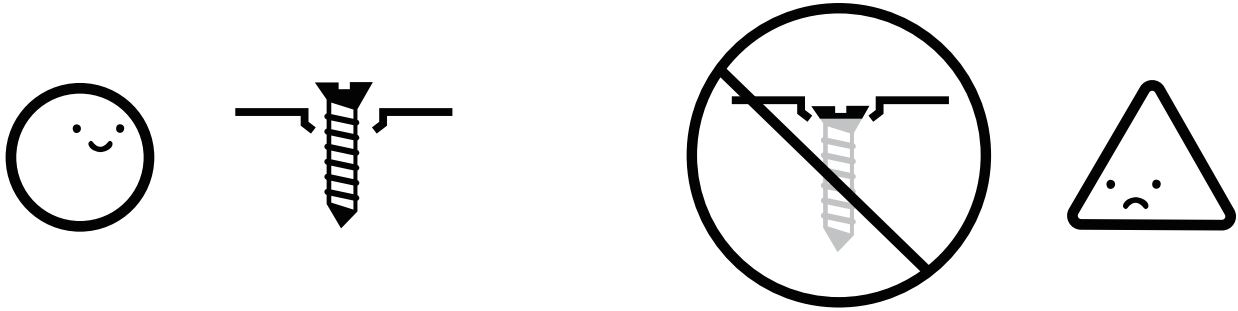
**Scan the QR code above
to view the detailed instruction video**



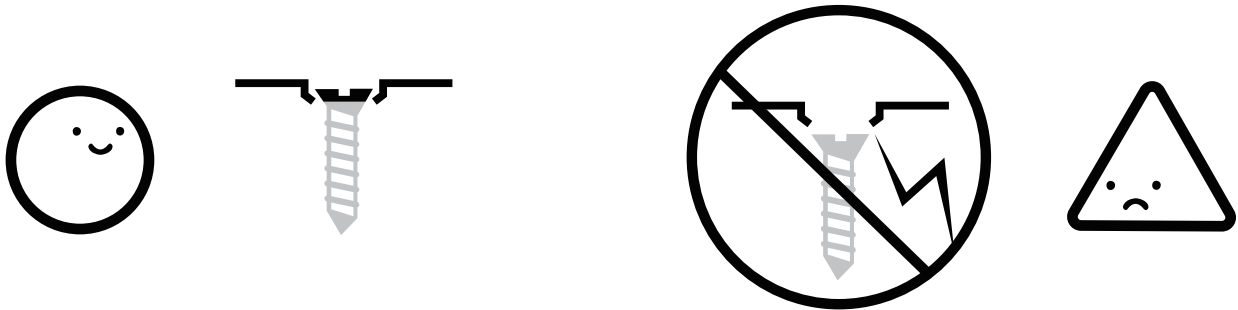
- EN** **WARNING:** Choking hazard - small parts. Not for children under 1 years old. Adult assembly required.
- FR** **AVERTISSEMENT:** Risque d'étouffement -petites pièces. Ne convient pas aux enfants de moins de 1 ans. Assemblage par un adulte requis.
- DE** **WARNUNG:** Verschluckungsgefahr - kleine Teile. Nicht für Kinder unter 1 Jahren geeignet. Montage durch einen Erwachsenen erforderlich.
- IT** **AVVERTENZA:** Rischio di soffocamento - parti piccole. Non adatto a bambini di età inferiore a 1 anni. E richiesto l'assemblaggio da parte di un adulto.
- ES** **ADVERTENCIA:** Riesgo de asfixia - partes pequeñas. No para niños menores de 1 año. Se requiere Asamblea de adultos.

IMPORTANT

Be smart-sort your parts!
Be sure you have all required parts BEFORE beginning assembly!



When assembling,
**DO NOT FULLY TIGHTEN SCREWS UNTIL
ALL PANELS ARE CONNECTED.**



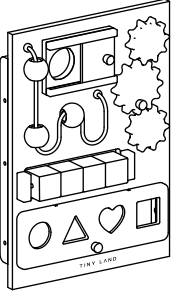
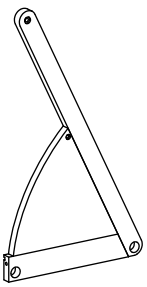
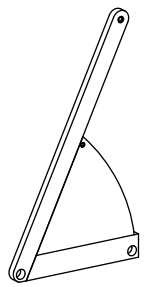
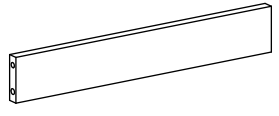
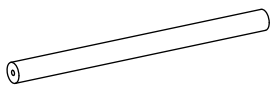
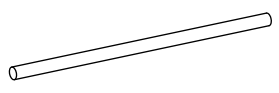
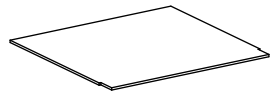
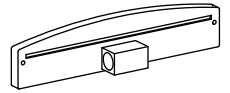
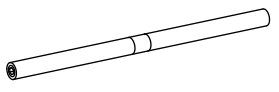
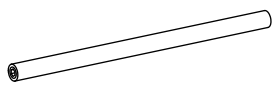
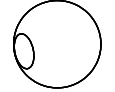
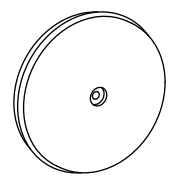
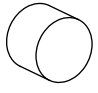
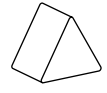

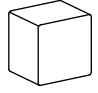



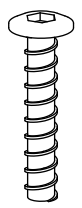
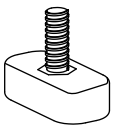
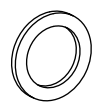
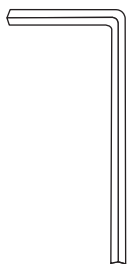
To complete assembly, use hand-held screwdriver to fully tighten all screws until they're snug.

DO NOT OVER-TIGHTEN!

Over-tightening will cause product to crack!

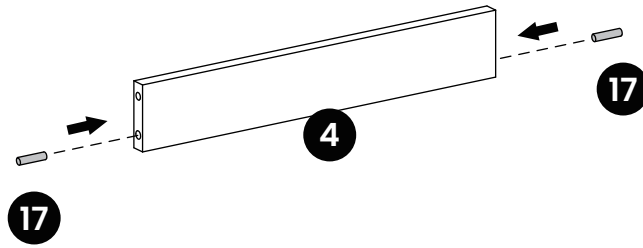
If you find it difficult to assemble the toy or have any other problems with the product, please contact us via email at customer_care@tinylanus.com. We will do our best to resolve your problem and provide a solution to your satisfaction.

CONTENTS

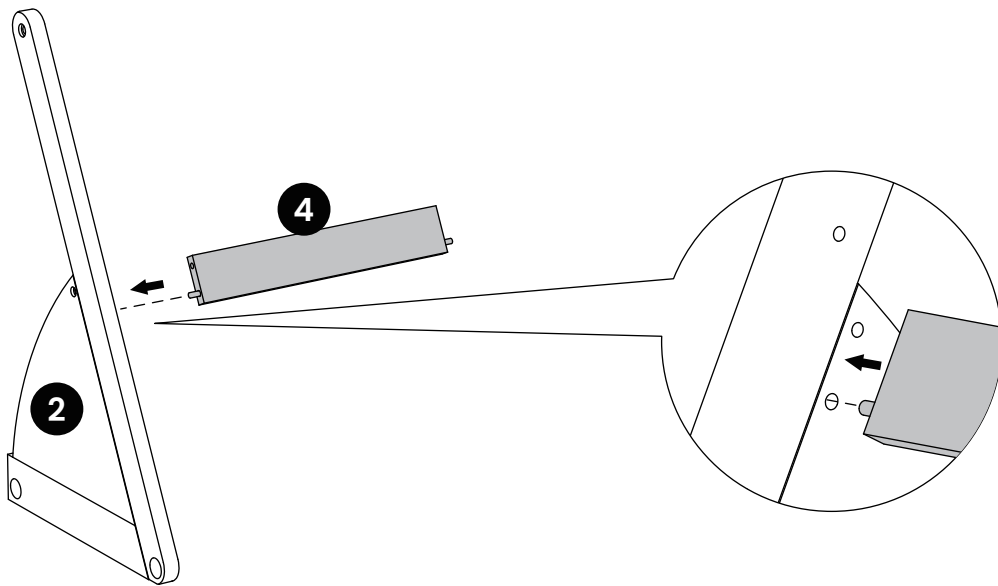
<p>1</p> 	<p>2</p> 	<p>3</p> 	<p>4</p> 
<p>5</p> 	<p>6</p> 	<p>7</p> 	<p>8</p> 
<p>9</p> 	<p>10</p> 	<p>11 x7</p> 	<p>12 x4</p> 
<p>13</p> 	<p>14</p> 	<p>15</p> 	<p>16</p> 
<p>17 x2</p>  <p>∅ 5X20mm</p>	<p>18 x6</p>  <p>∅ 4X17mm</p>	<p>19 x4</p>  <p>∅ 4X24mm</p>	<p>20 x6</p>  <p>∅ 5.8X30mm</p>
<p>21</p> 	<p>22 x4</p> 	<p>23</p> 	

NOW IT'S TIME TO PUT IT TOGETHER!

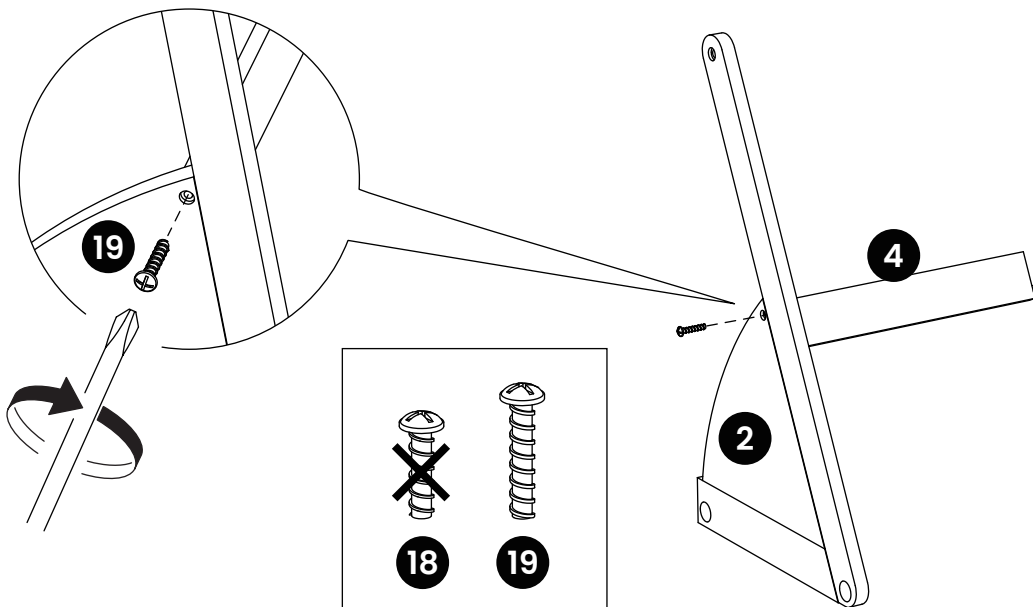
1



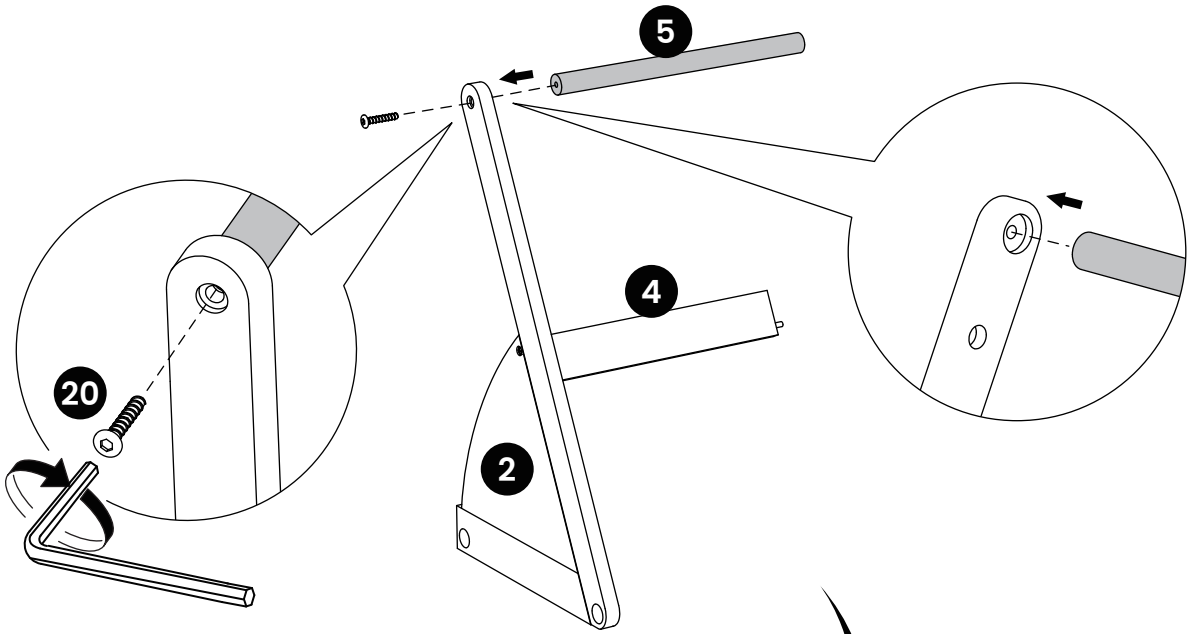
2



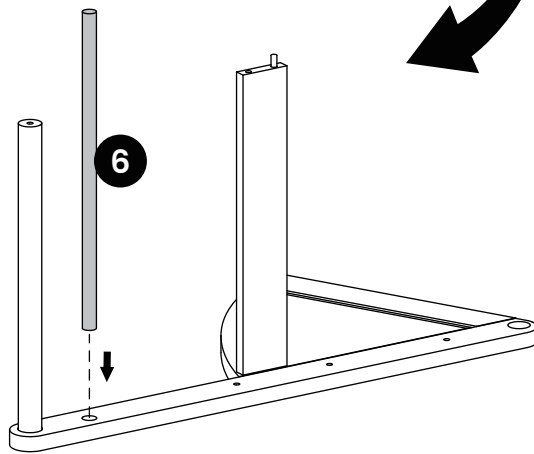
3



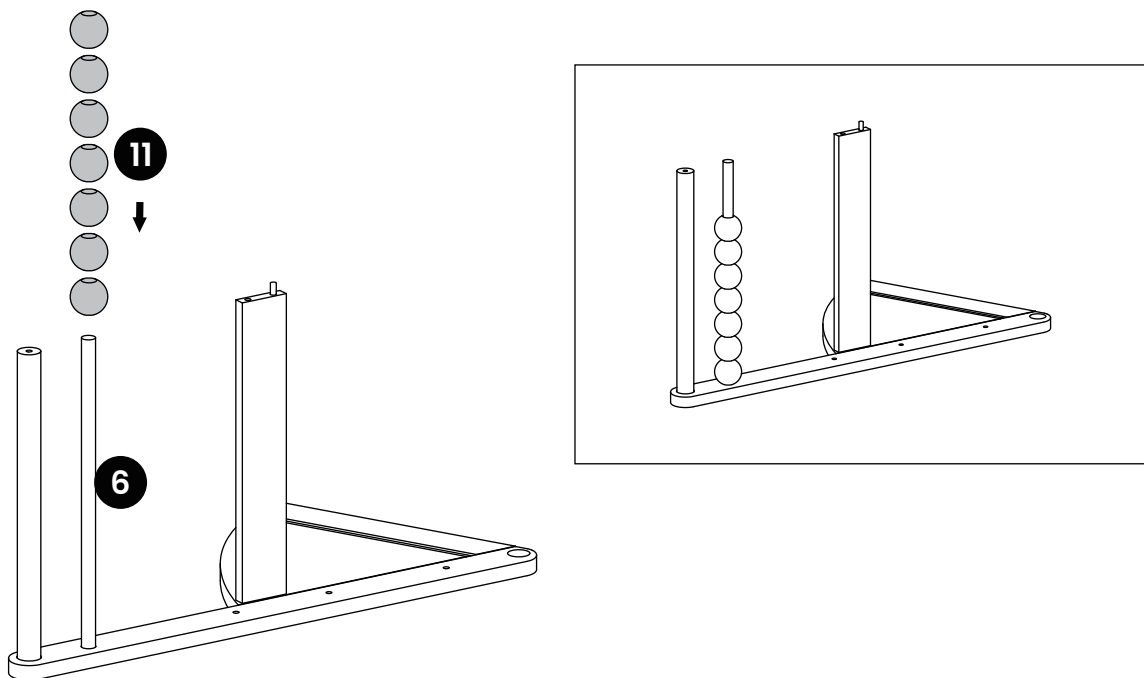
4



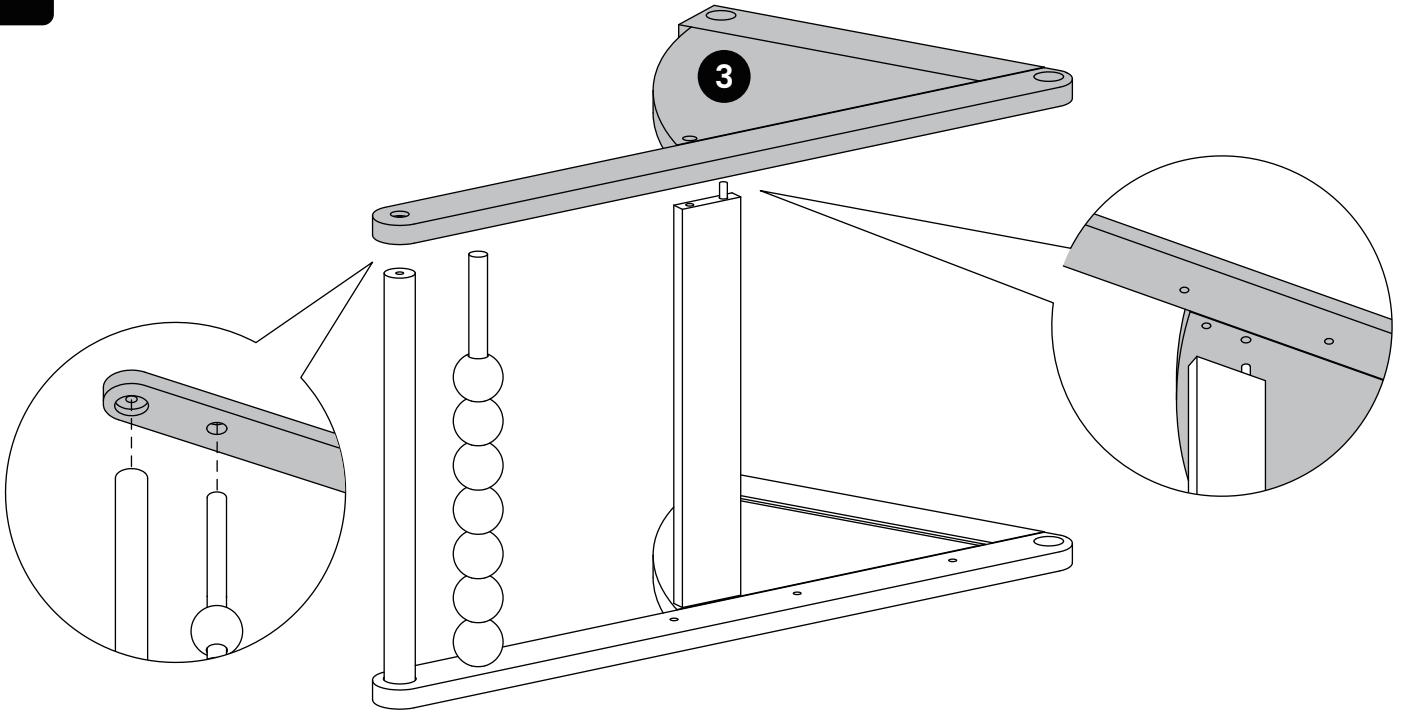
5



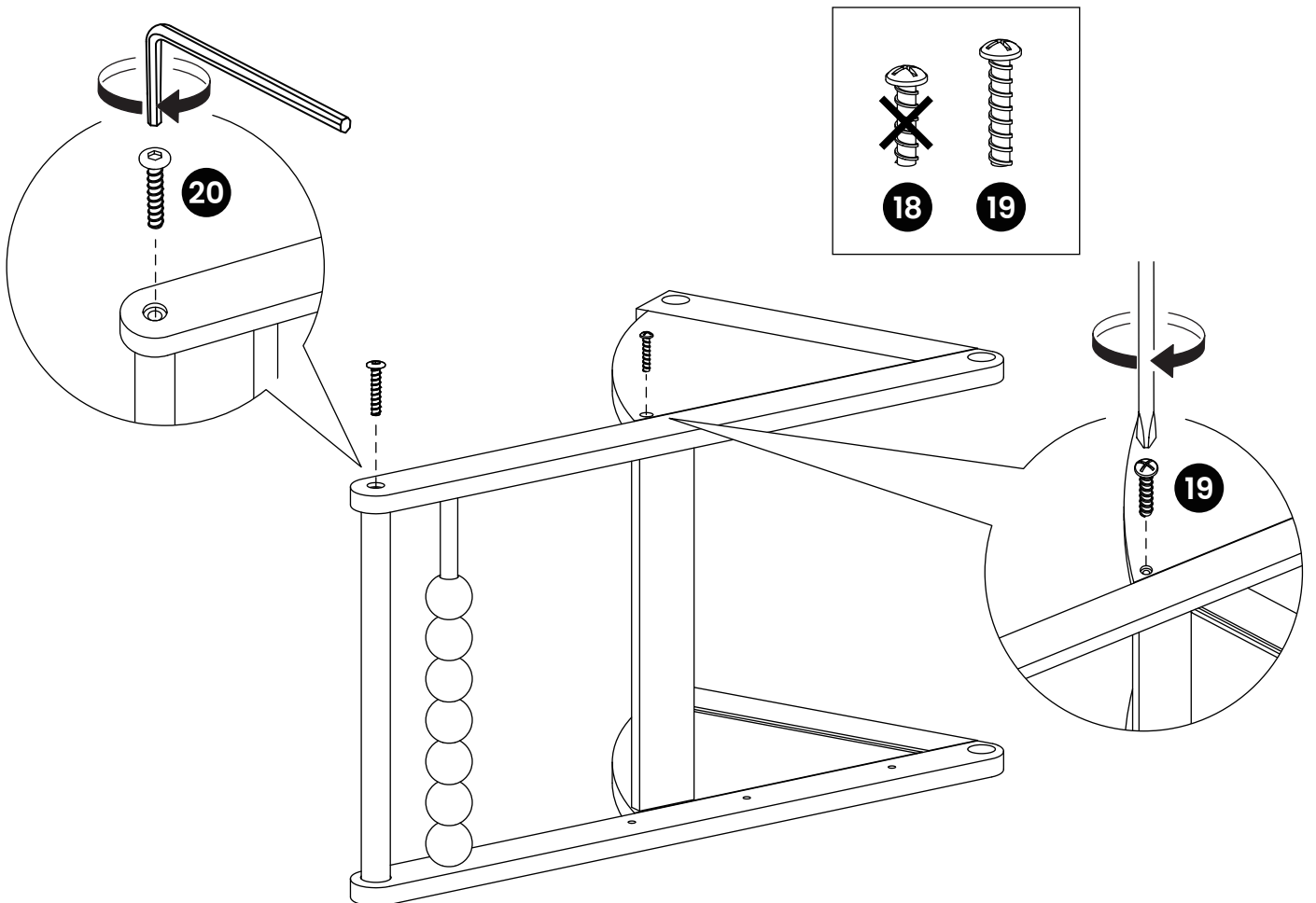
6



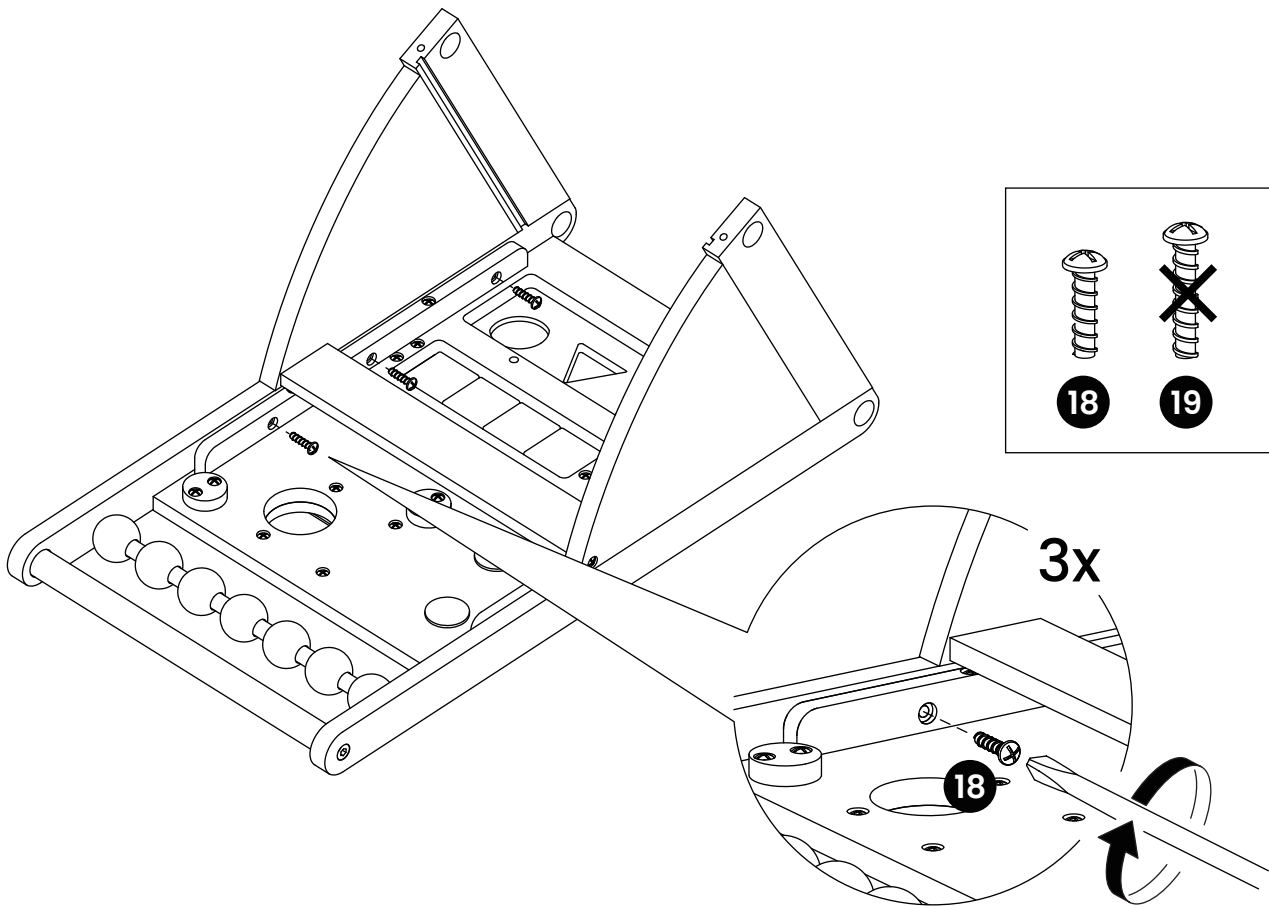
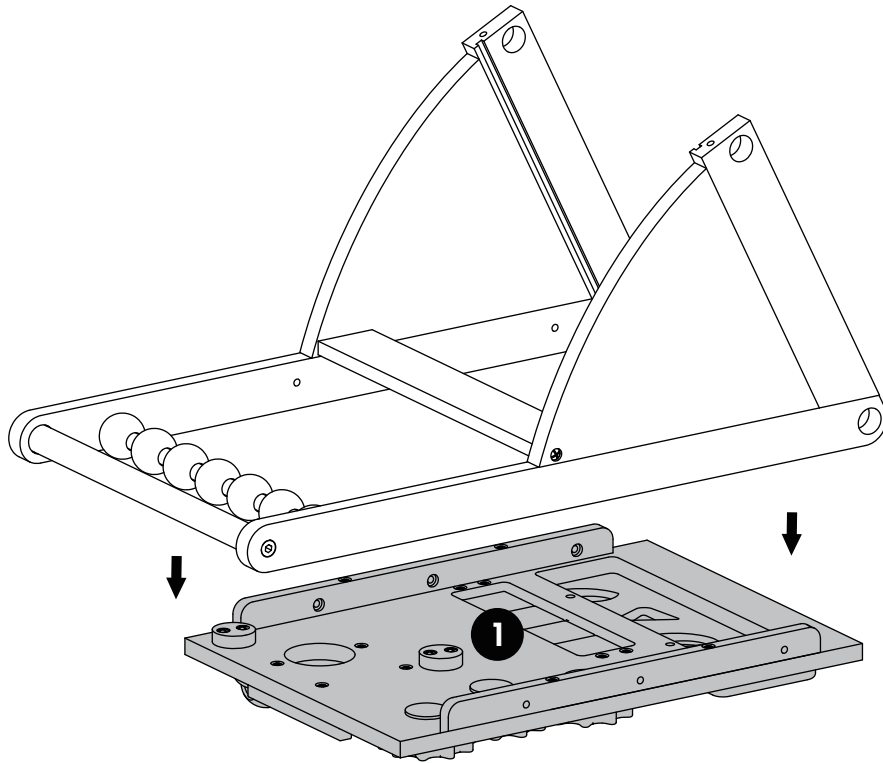
7



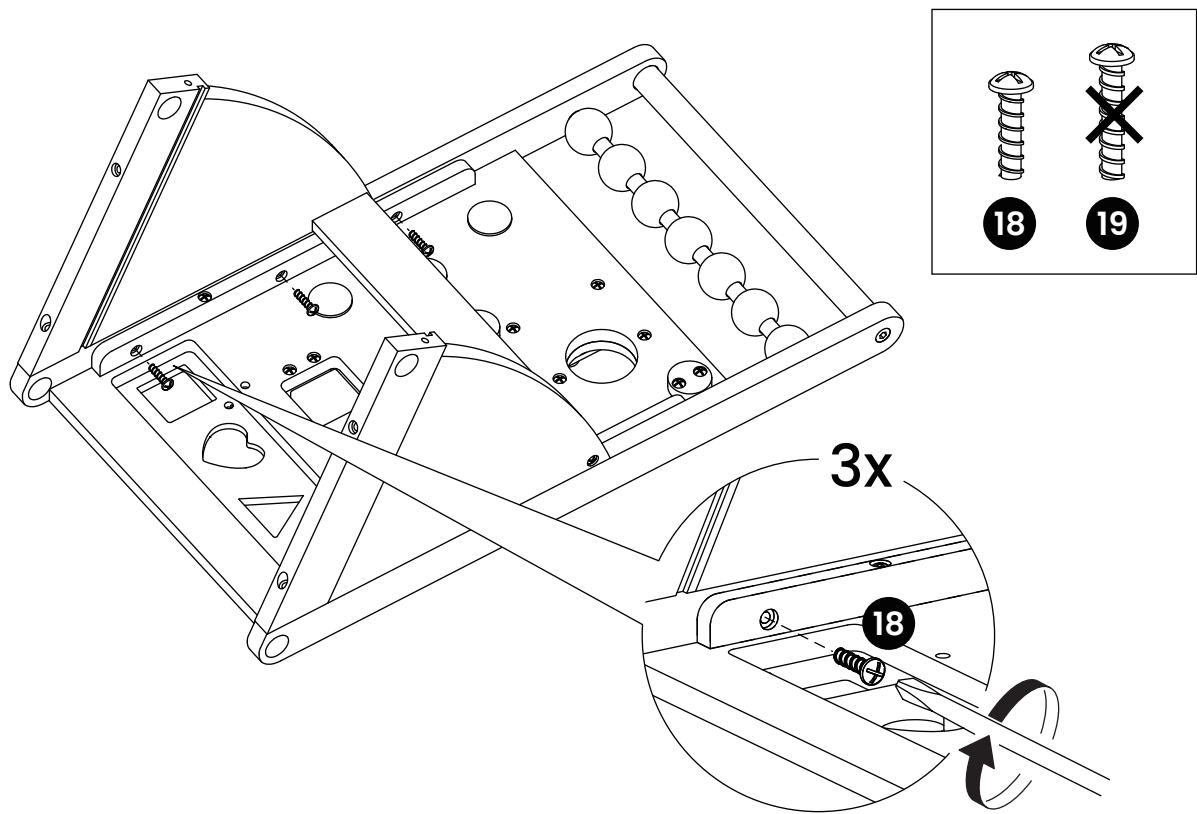
8



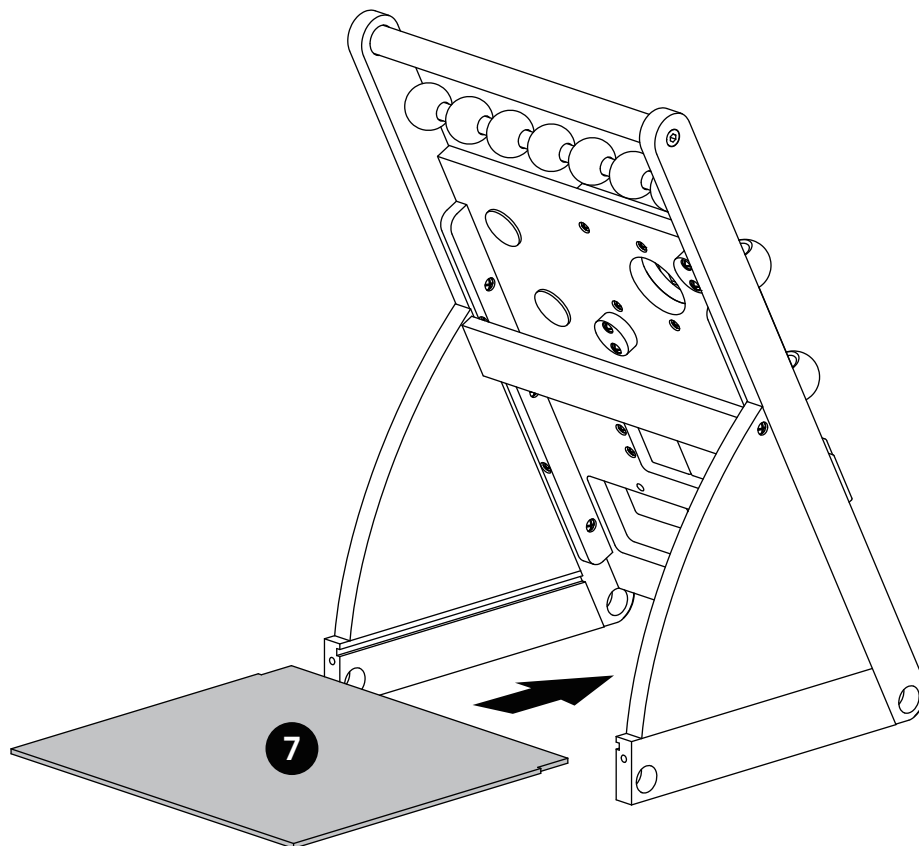
9



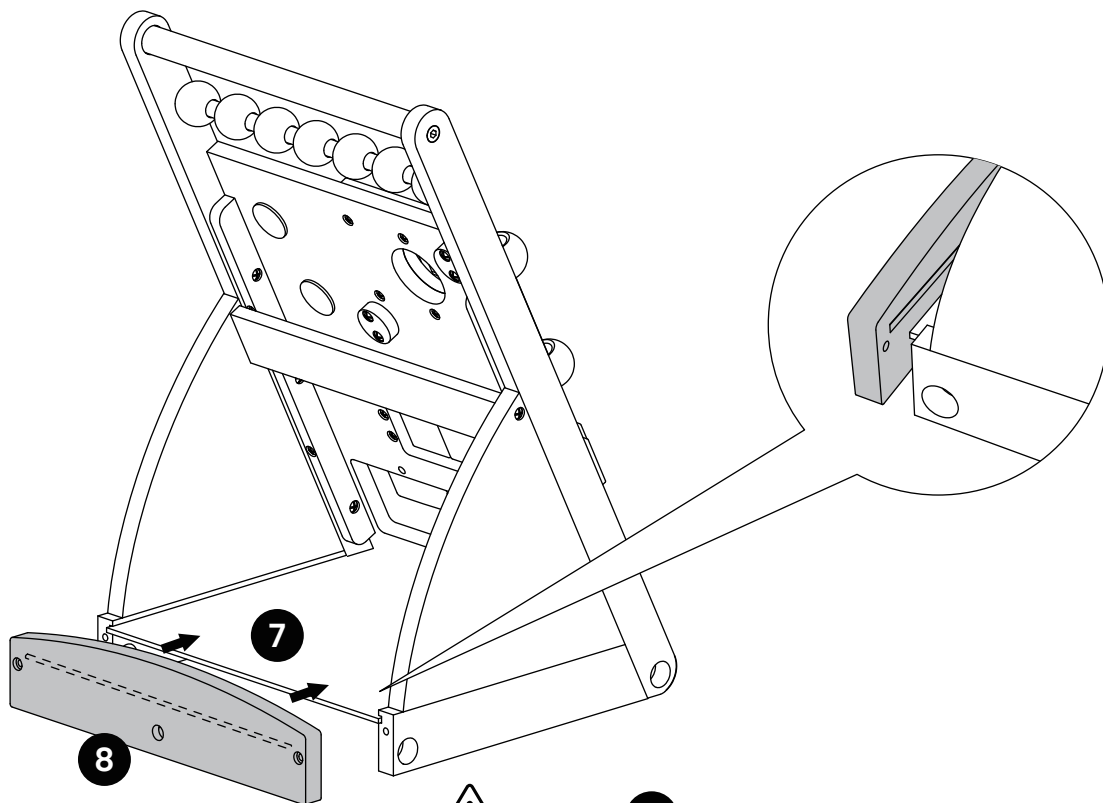
10



11

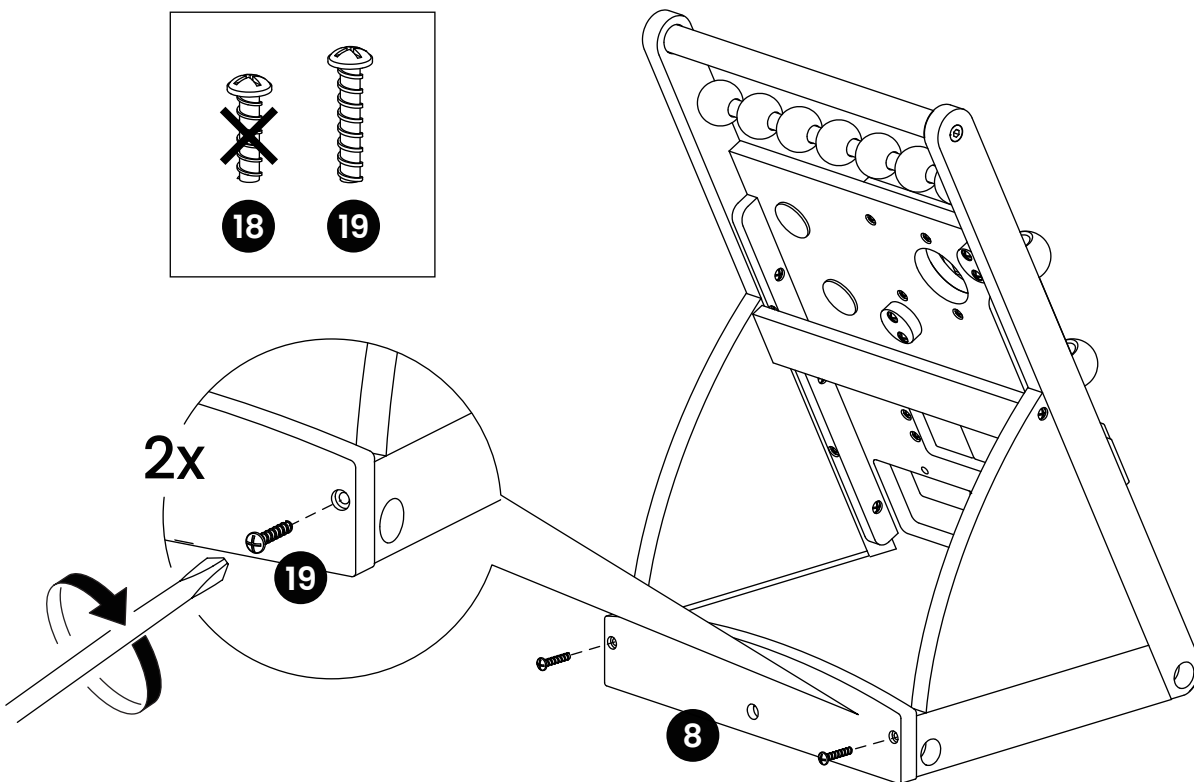


12

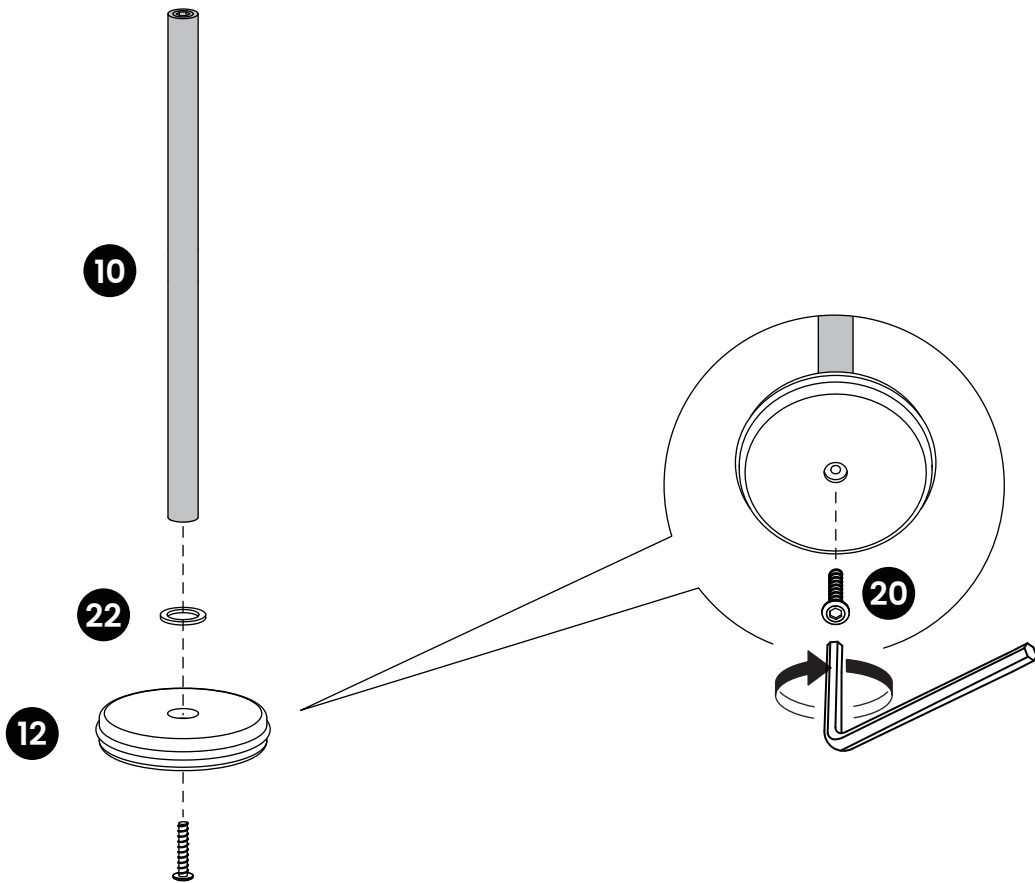
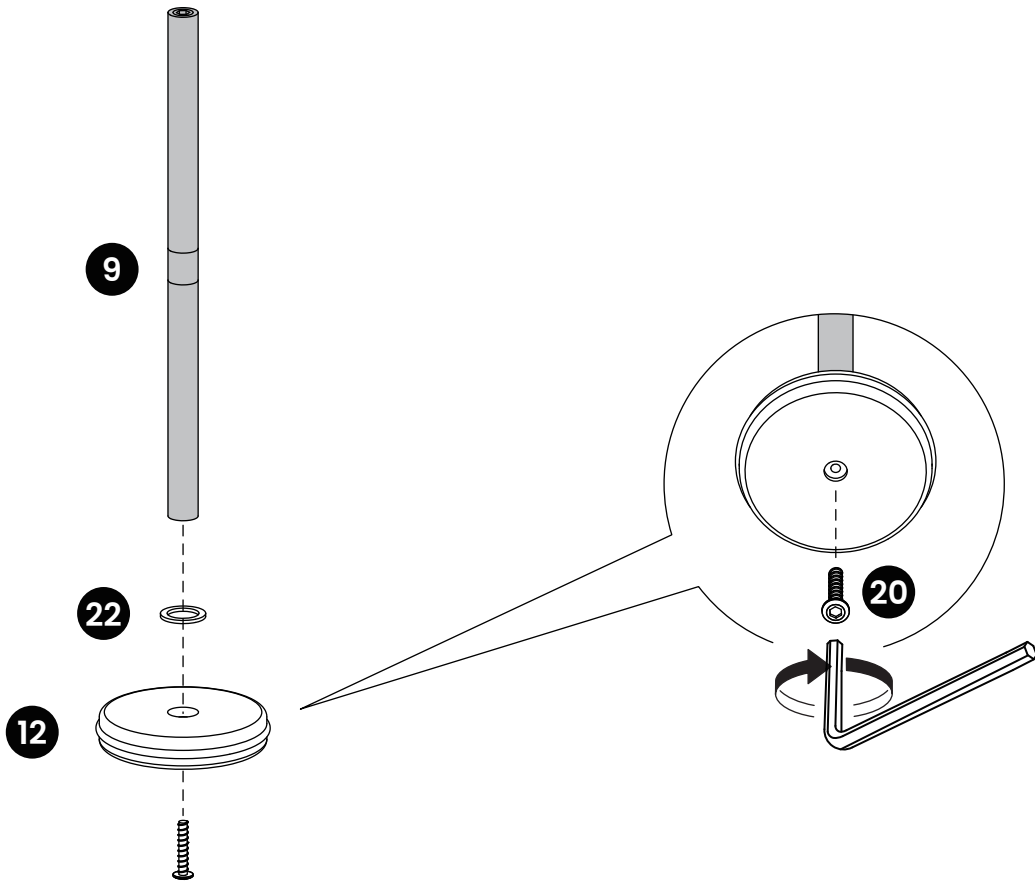


⚠ Note: 7 Need to align the grooves of 8 .

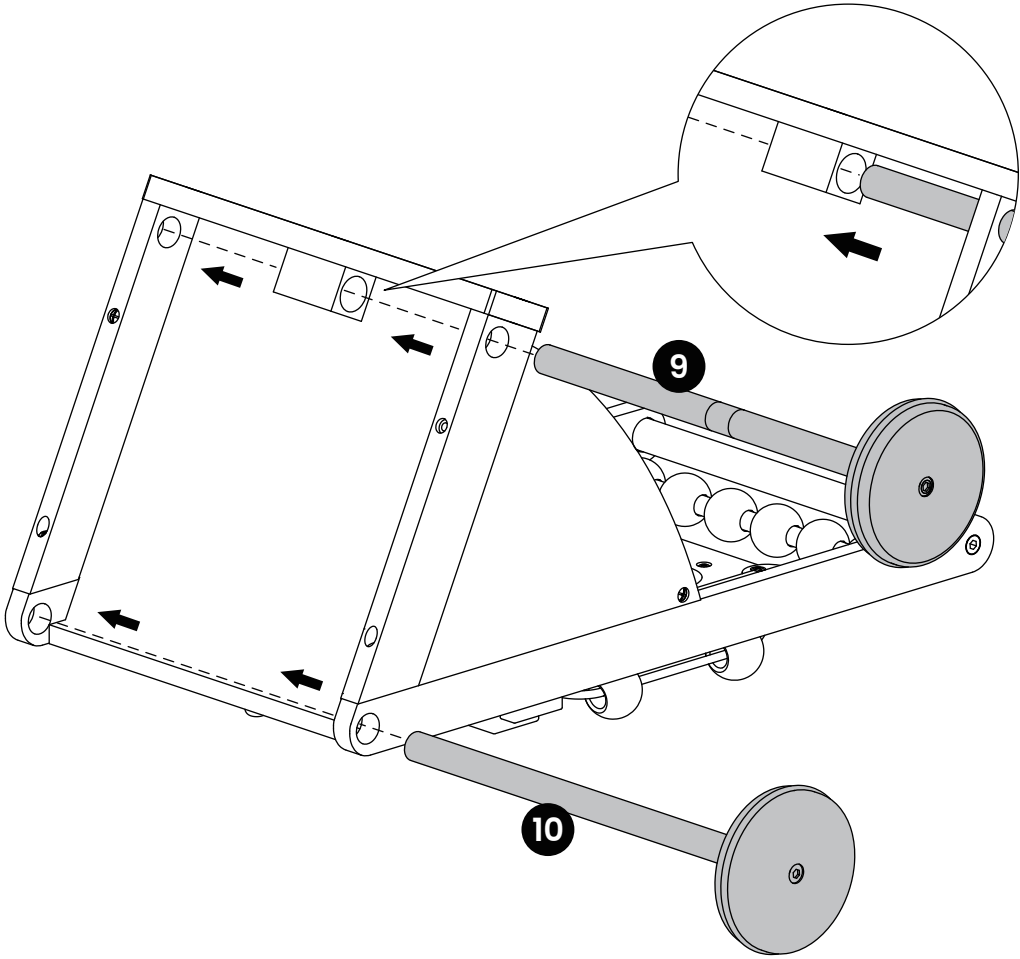
13



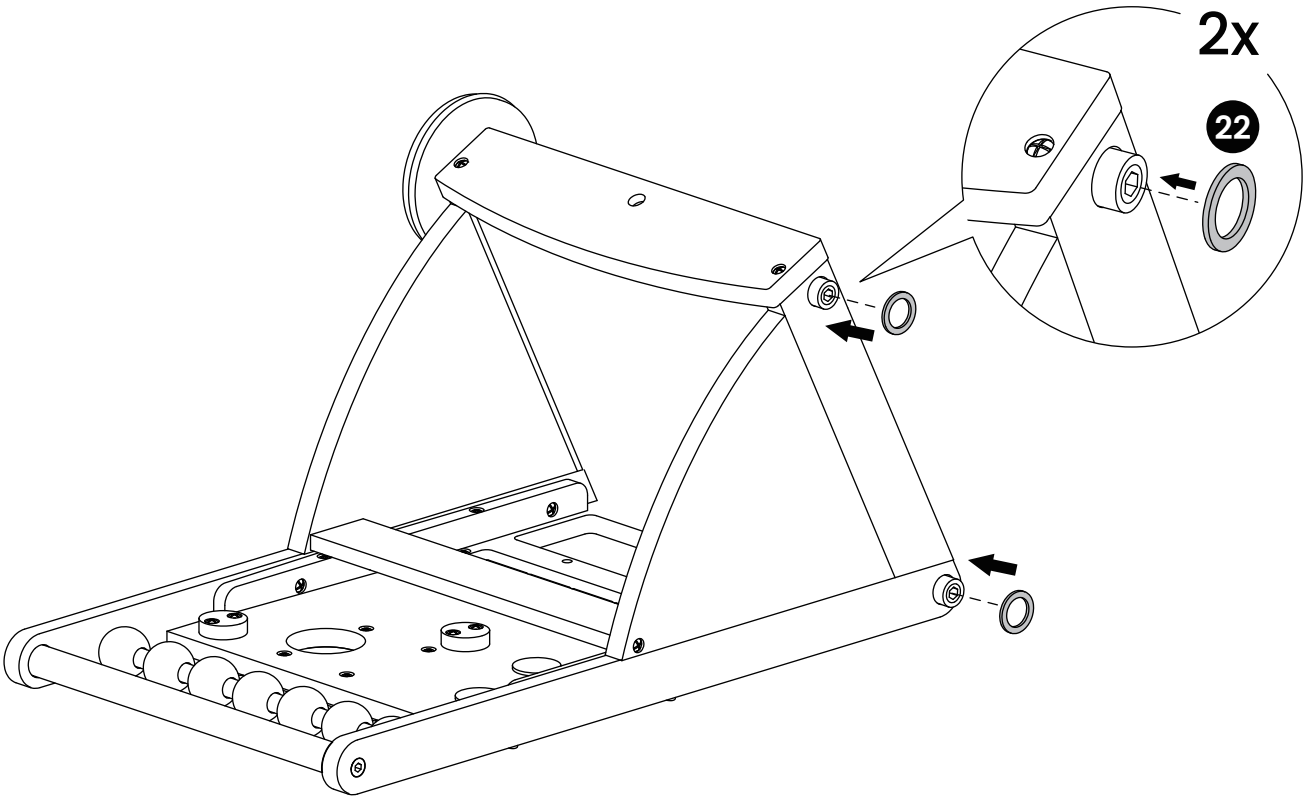
14



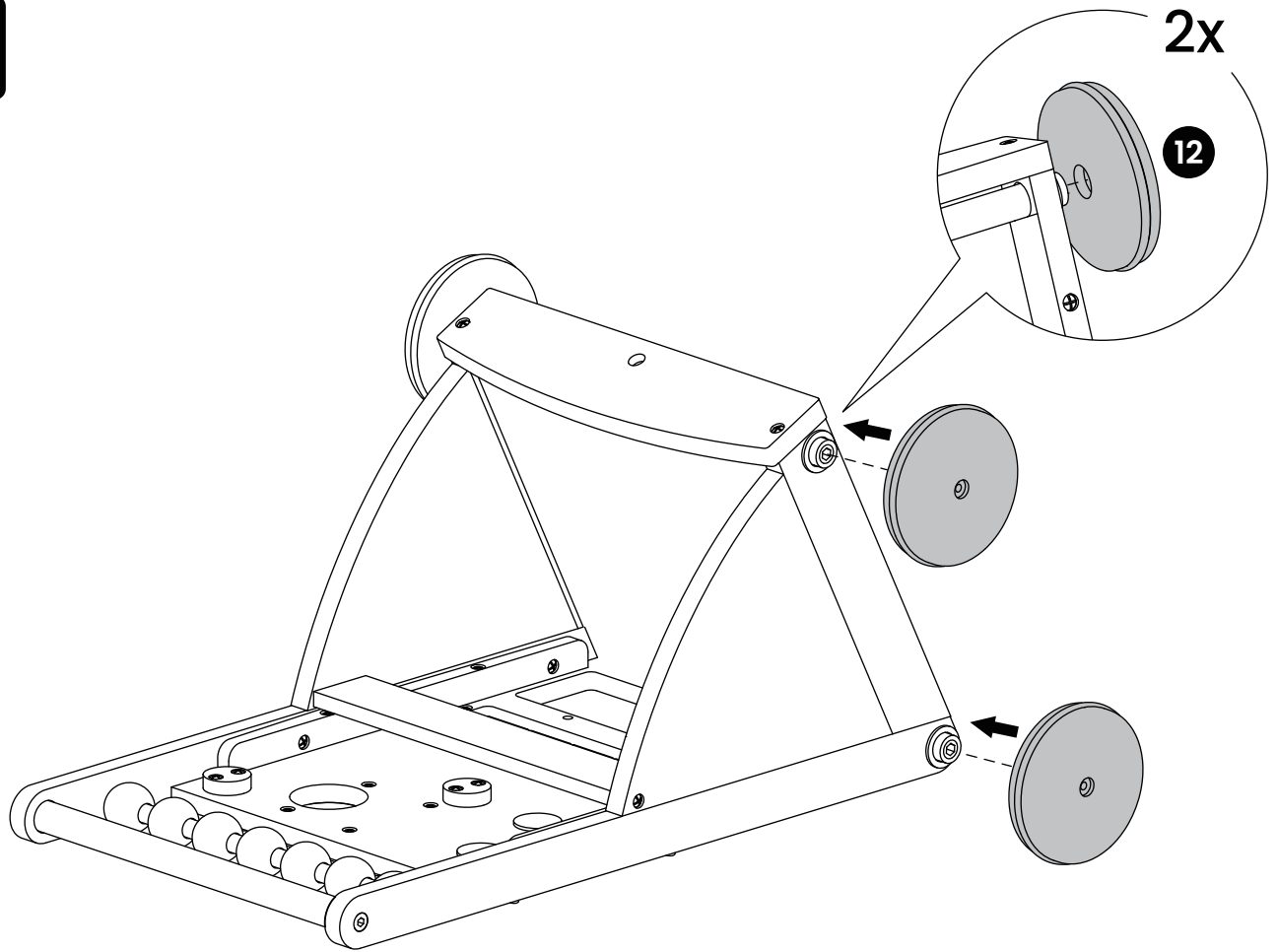
15



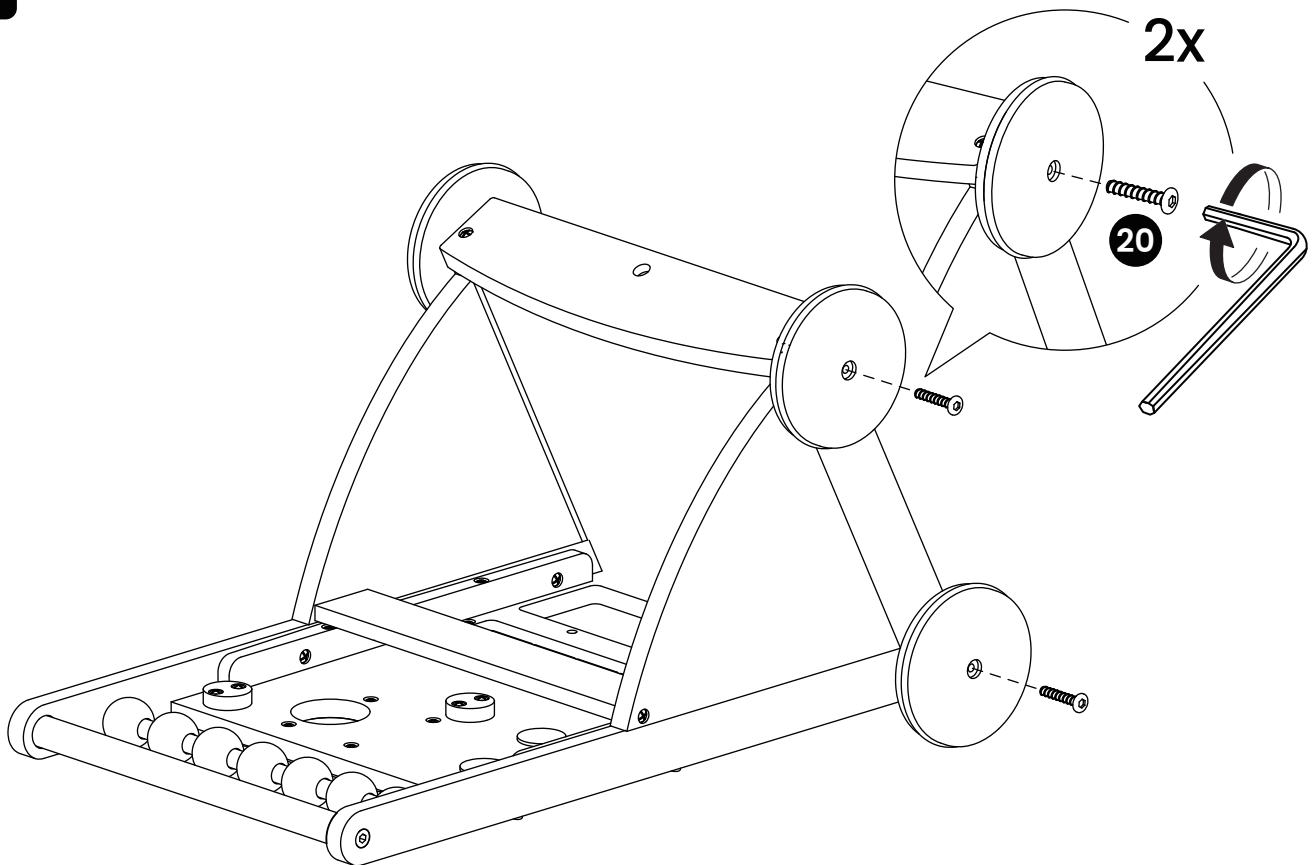
16



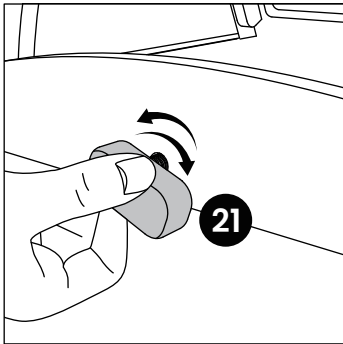
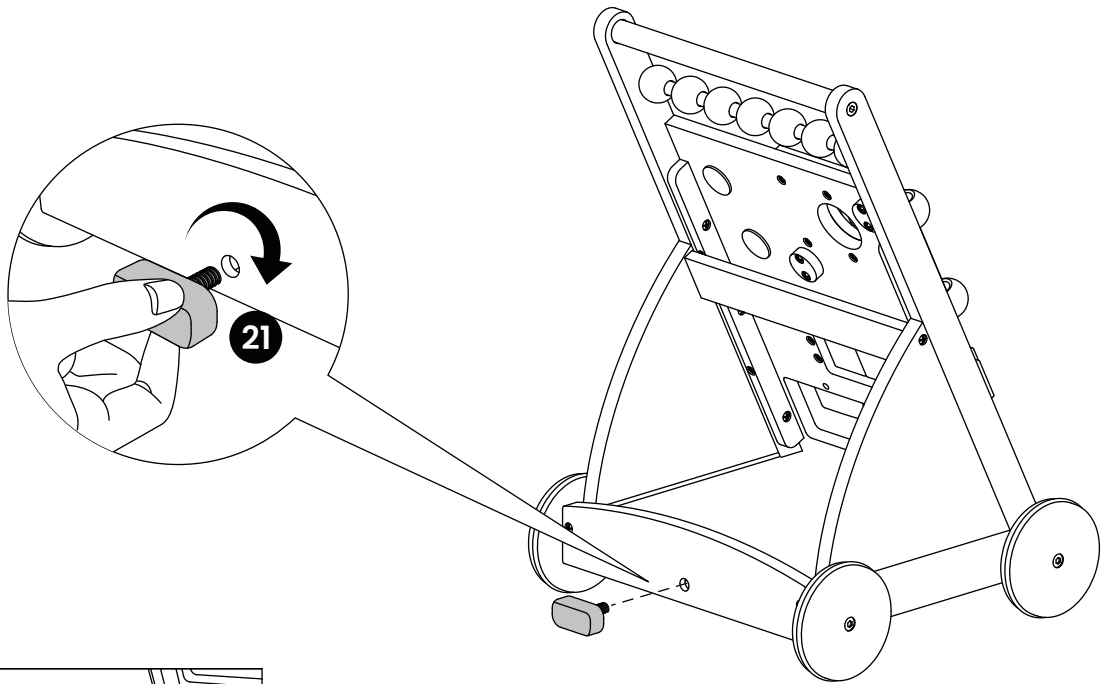
17




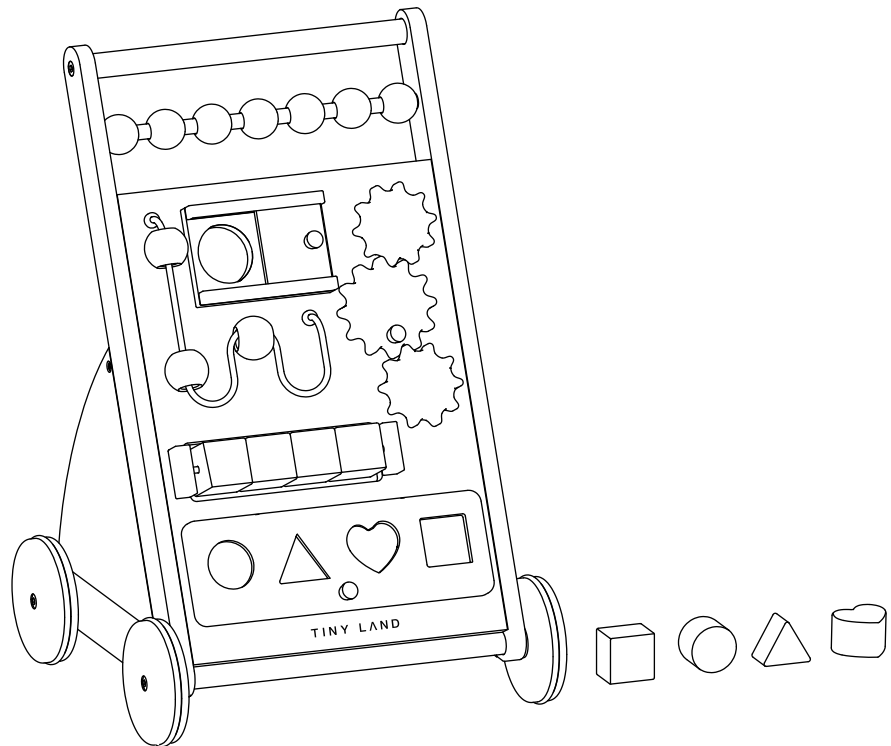
18



19



 **Note:** Adjust the tightness of the **21** screw to control the wheel's speed and its ability to stop.



Congratulation!

You have finished assembling your adorable baby walker!

TINY LAND



Scan the QR code above
to view the detailed instruction video