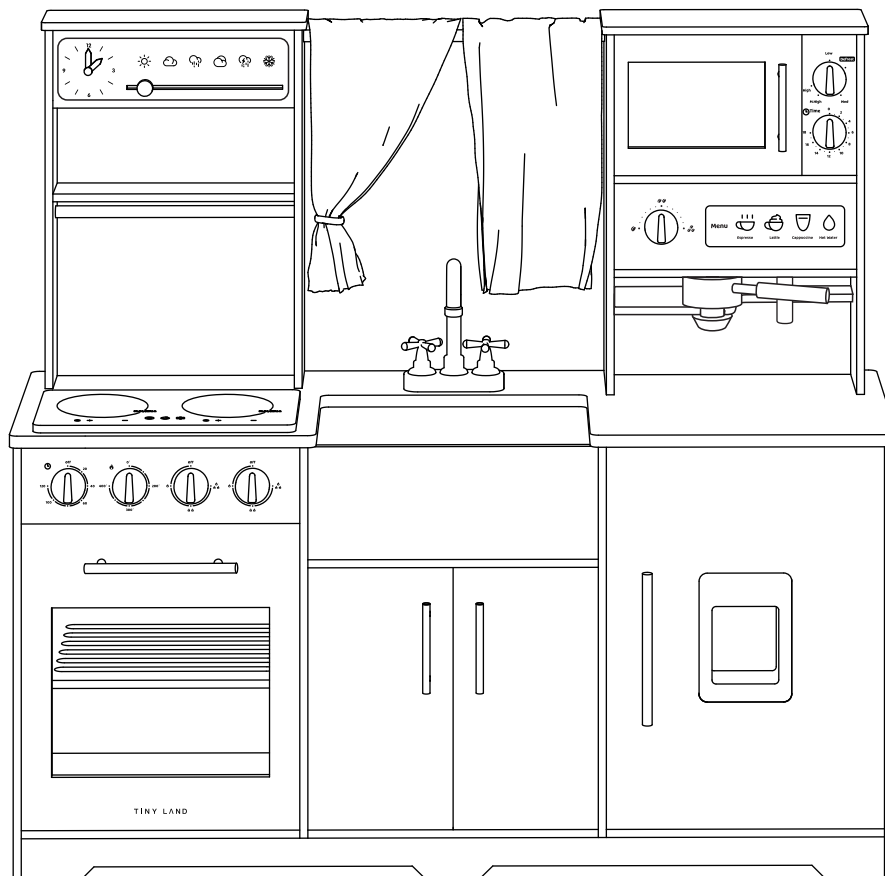


3 YEARS +



TINY LAND



PLAY KITCHEN

ASSEMBLY INSTRUCTIONS



WARNING :

Avertissement: Risque d'étouffement - petites pièces.
Pas pour les enfants de moins de 3 ans.
Assemblage par un adulte requis.

Warnung: Erstickungsgefahr - Kleinteile.
Nicht für Kinder unter 3 Jahren.
Montage durch Erwachsene erforderlich.

**Choking hazard - small parts.
Not for children under 3 years old.
Adult assembly required.**

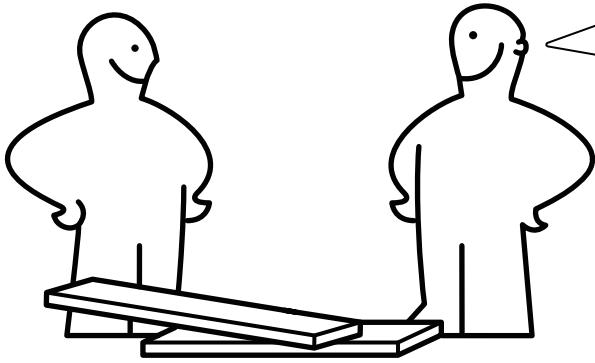
Avvertimento: Pericolo di soffocamento - piccole parti.
Non per bambini sotto i 3 anni.
È richiesto il montaggio di un adulto.

Advertencia: Peligro de asfixia: piezas pequeñas.
No para niños menores de 3 años.
Requiere montaje por adulto.

THANK YOU!

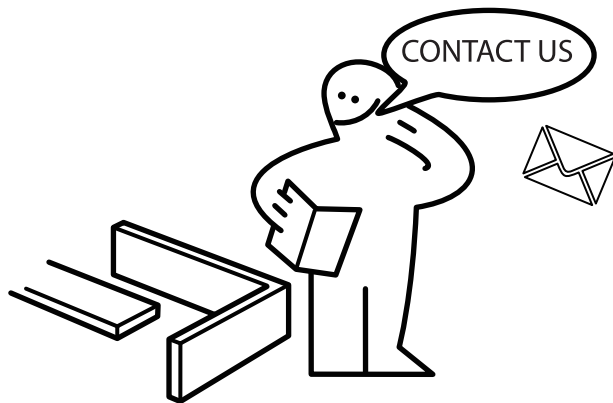
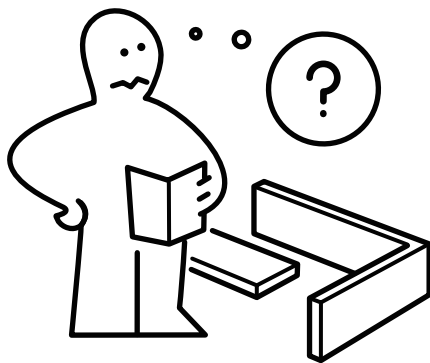
Thank you for choosing the Tiny Land Play Kitchen! It's a terrific way to help nurture a child's creativity and imagination and to inspire story-telling and independent play for years to come.

IMPORTANT INFORMATION-PLEASE READ FIRST.



⚠️ WARNING

- Do not over-tighten screws when assembling.
- When assembling a part using several screws, please align them with the corresponding holes and gently tightening them first. Ensure that all screws are properly aligned and secured and then proceed to gradually tighten each one.
- Laying out all accessories on a hard, flat, and level surface for installation.
- Please follow the instructions step-by-step.



Without your product review, we don't exist.

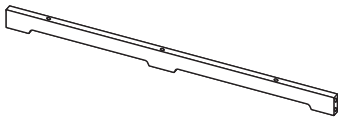
We hope you are satisfied with your purchase and we would love to hear about it. Your product review helps us continue providing the best quality product for all valued customers.

If you feel hard to assemble the toy or there is any other problem that makes you feel unhappy with the product, please contact us customer_care@tinylandus.com. We are glad to do our best to solve your problem and provide a solution to your satisfaction.

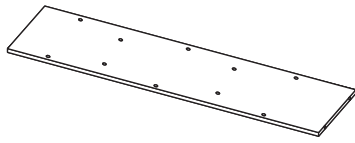
We appreciate your purchase and look forward to hearing from you.

CONTENTS

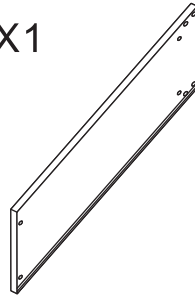
1 X2



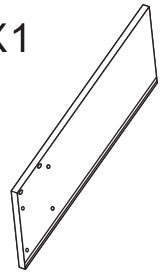
2 X1



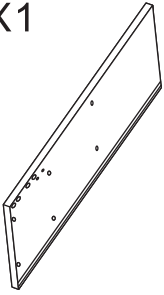
3 X1



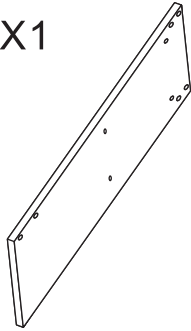
4 X1



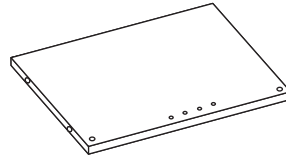
5 X1



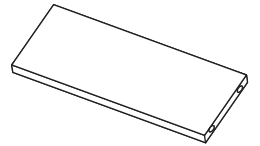
6 X1



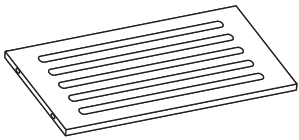
7 X1



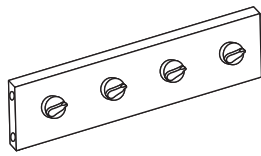
8 X1



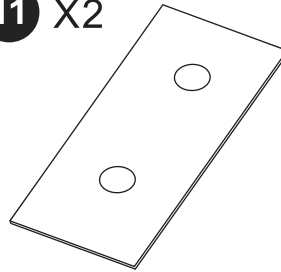
9 X1



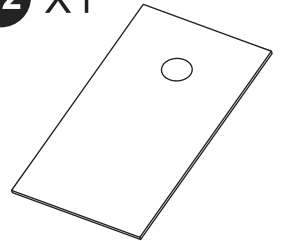
10 X1



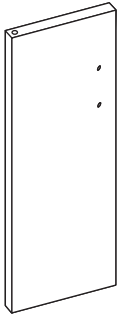
11 X2



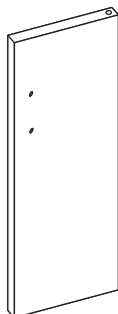
12 X1



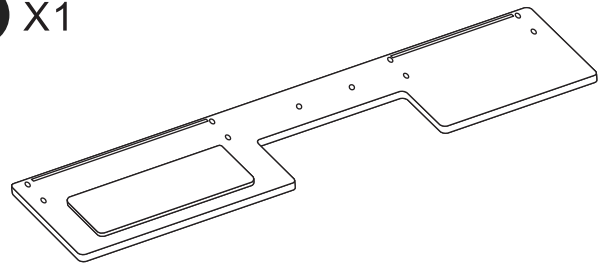
13 X1



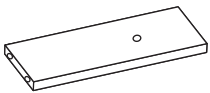
14 X1



15 X1



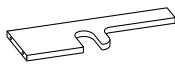
16 X1



17 X1



18 X1



19 X1



20 X1



21 X1



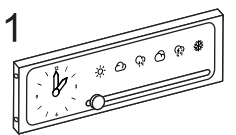
23 X1



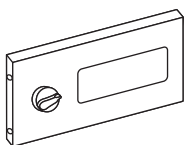
24 X1



25 X1



22 X1

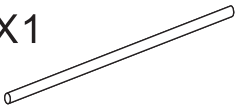


26 X1

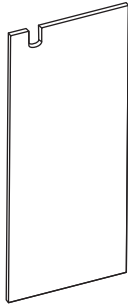


CONTENTS

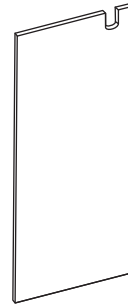
27 X1



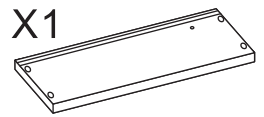
29 X1



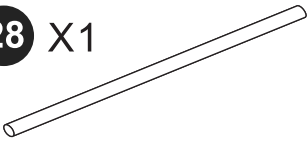
30 X1



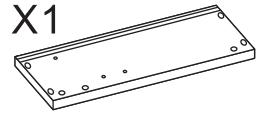
31 X1



28 X1



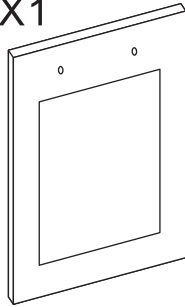
32 X1



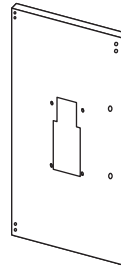
33 X1



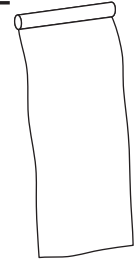
35 X1



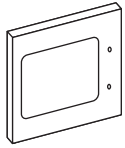
36 X1



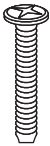
37 X2



34 X1



A X66



∅ 4X35mm

B X11



∅ 4X25mm

C X10



∅ 4X18mm

D X2



∅ 3X16mm

E X12



∅ 4X8mm

F X42

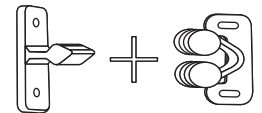


∅ 3X8mm

G X16



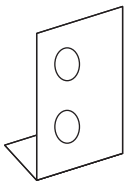
H X5



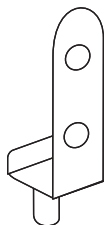
H1

H2

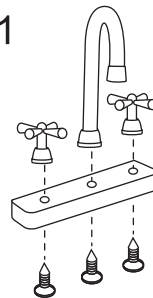
I X1



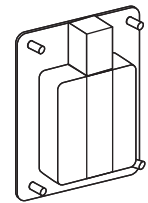
J X10



K X1



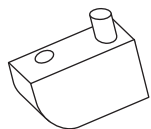
L X1



M X3



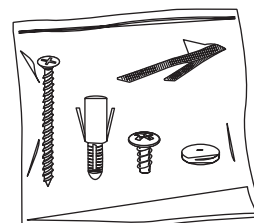
O X8



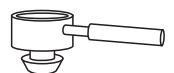
P X4



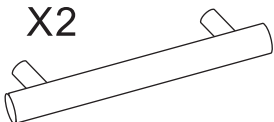
Q X2



R X1



N X2

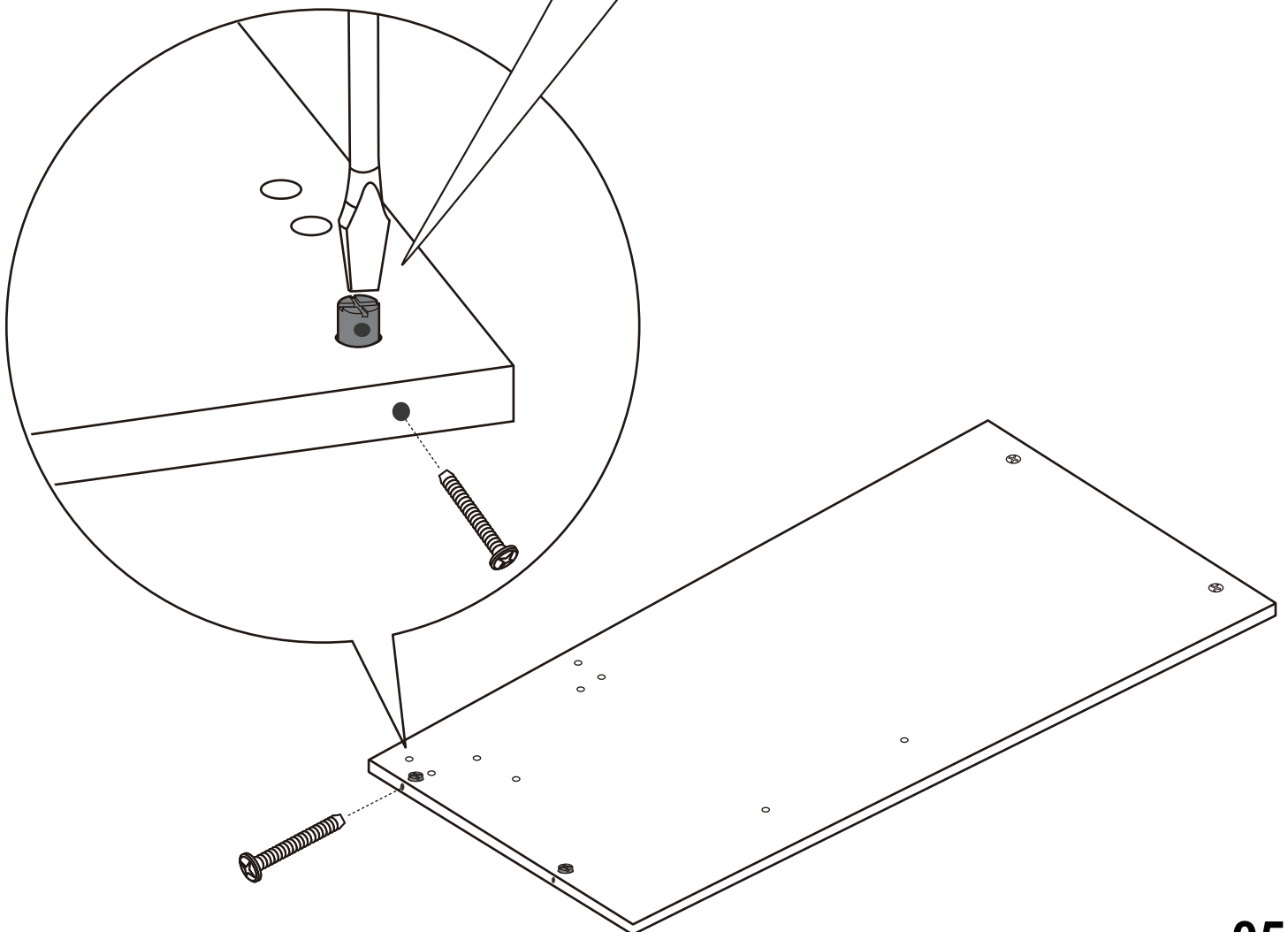


Helpful Hints and Tips

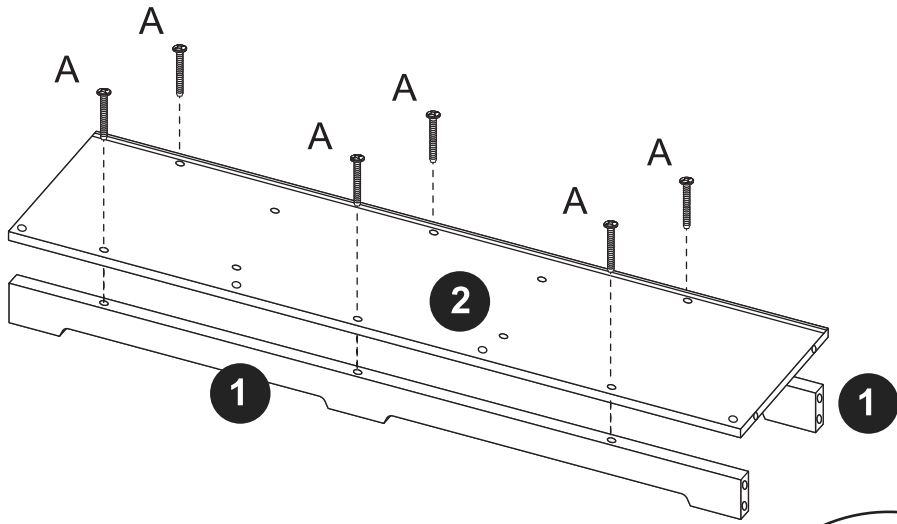
- Note: Some hardware packages may include extra pieces.
- To assemble the kitchen, you will need a Phillips head screwdriver and a slotted screwdriver.



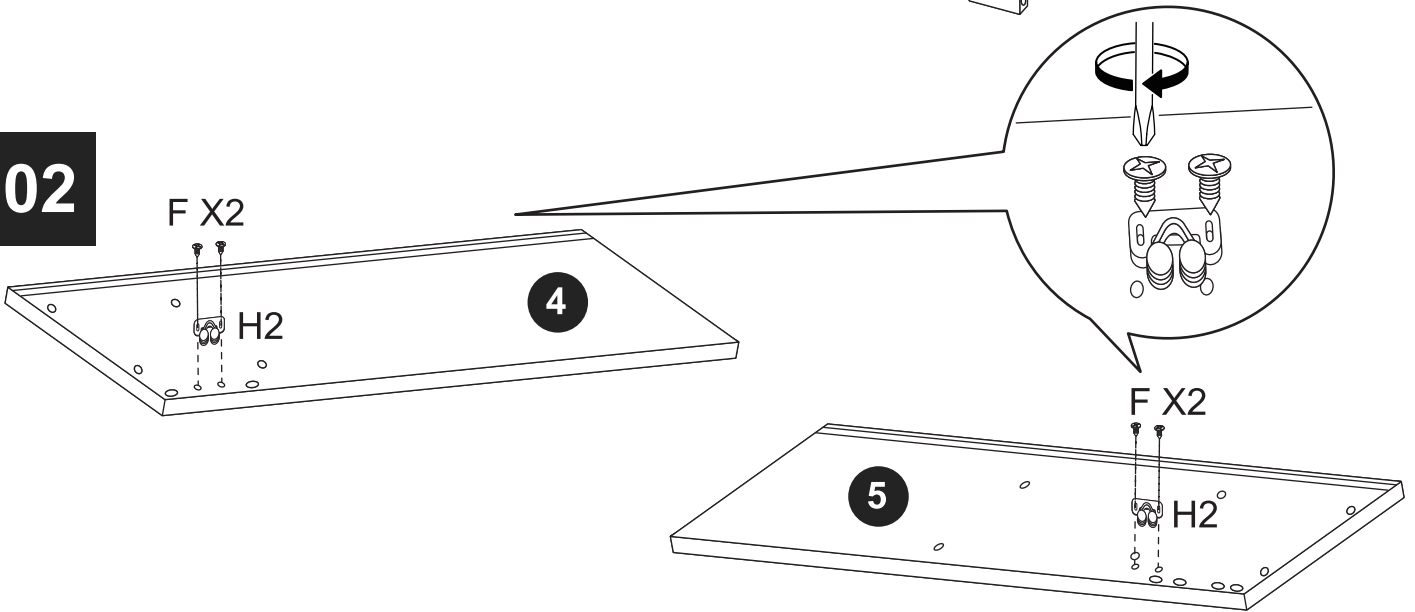
IMPORTANT: Barrel nuts and screws are used to join the main wood panels together. The barrel nuts have been pre-aligned at the factory to facilitate easy assembly with the screws. If any barrel nuts have shifted during shipping, use a slotted screwdriver to realign them.



01

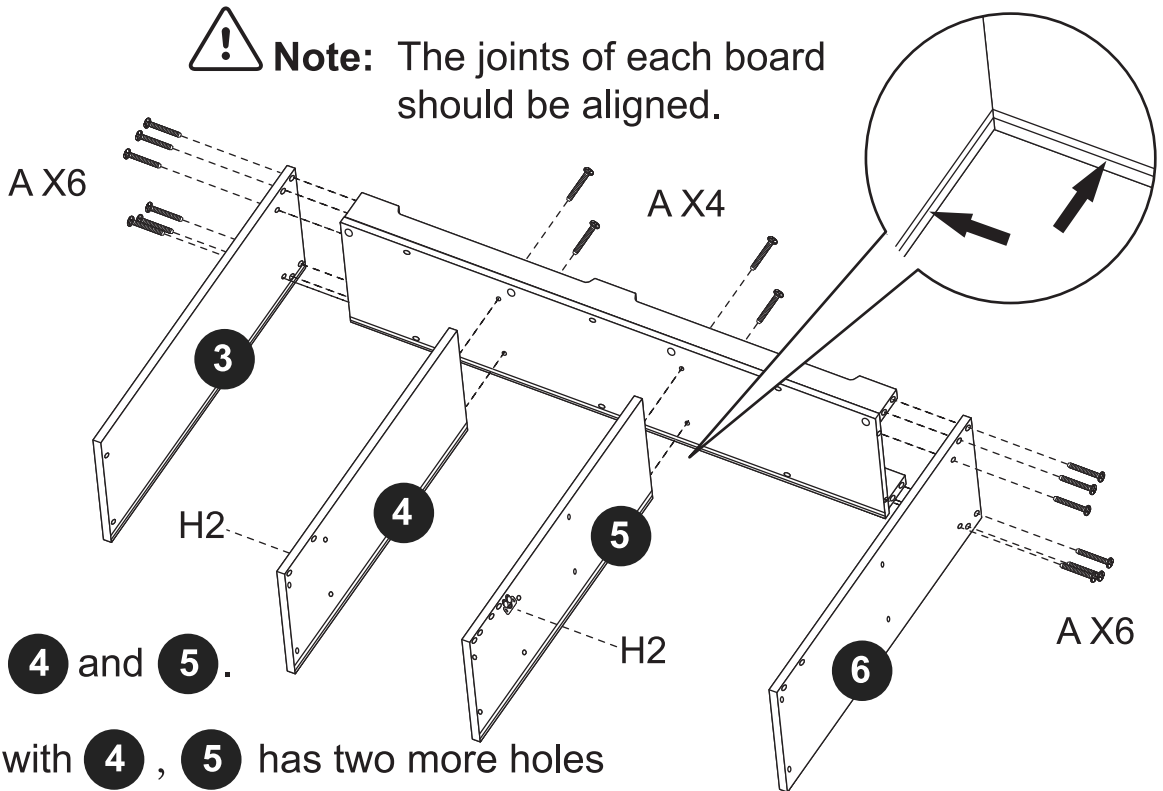


02



03

Note: The joints of each board should be aligned.

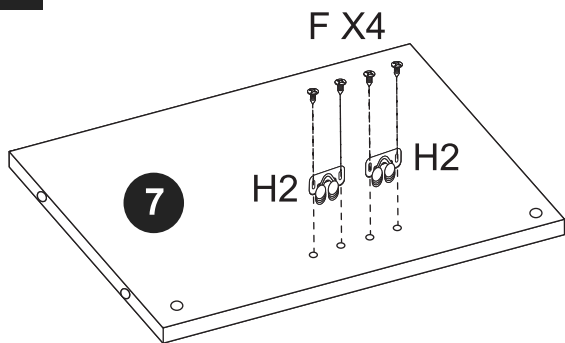


Note:
Distinguish 4 and 5.

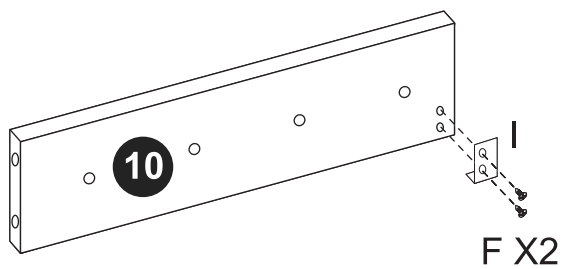
Compared with 4, 5 has two more holes in the middle.

06

04



05

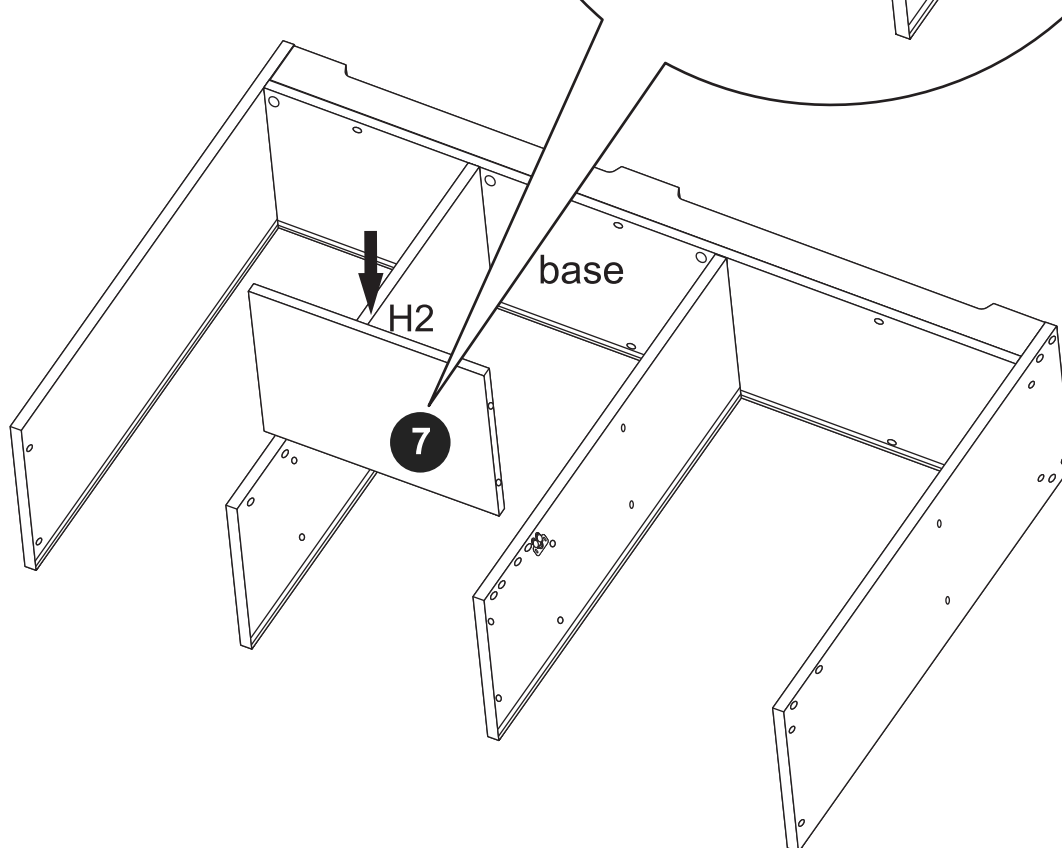
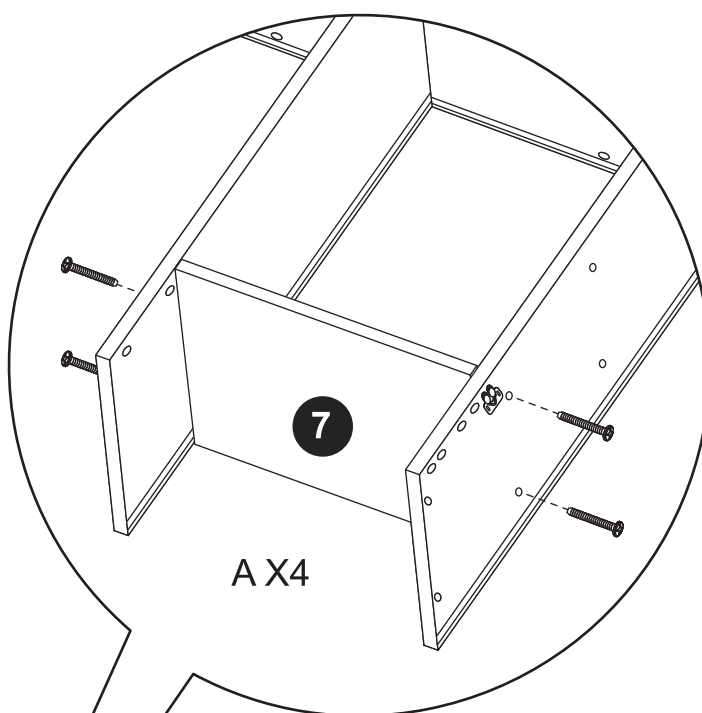


06



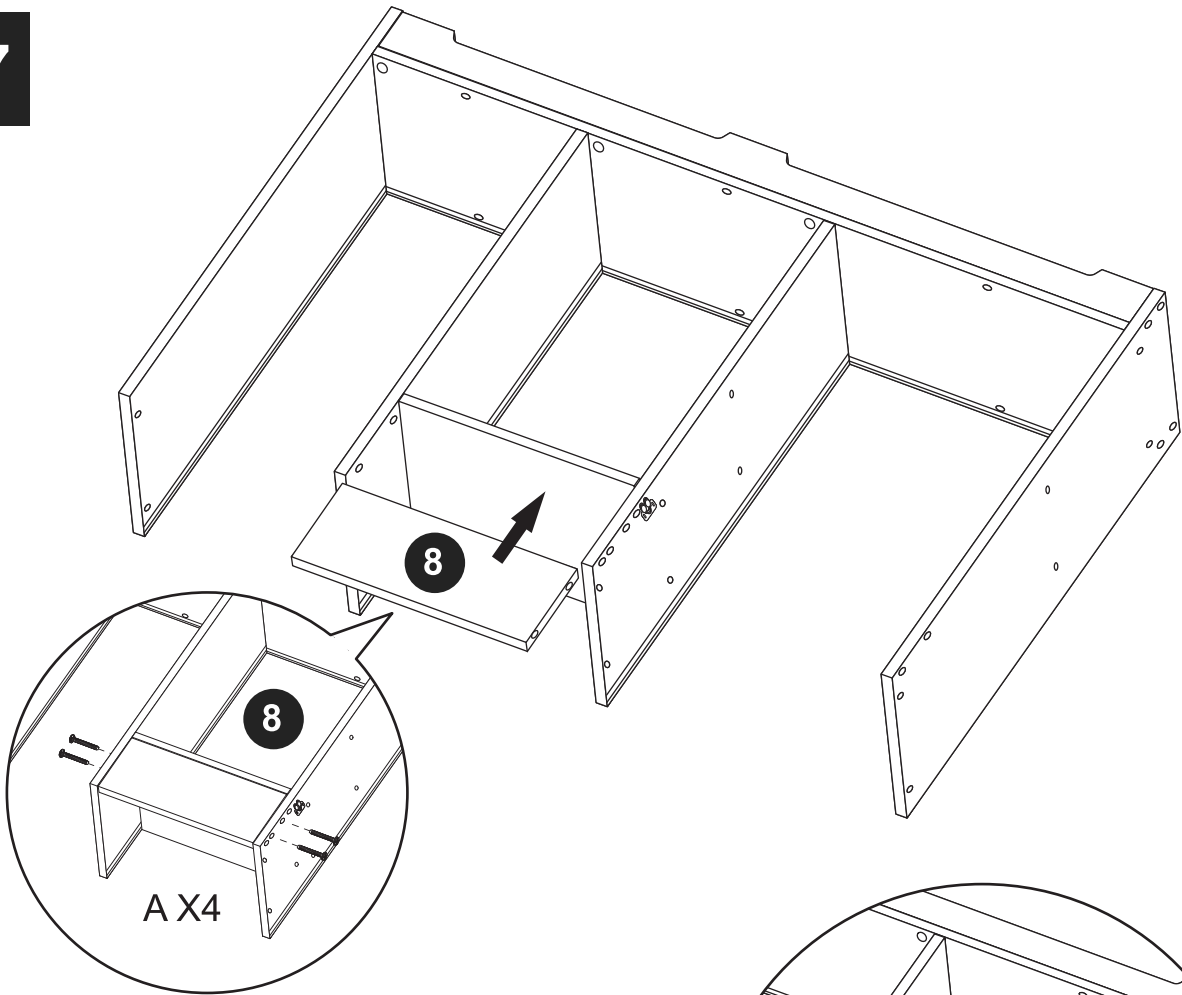
Note:

Part **H2** on part **7** should face the base of the kitchen.

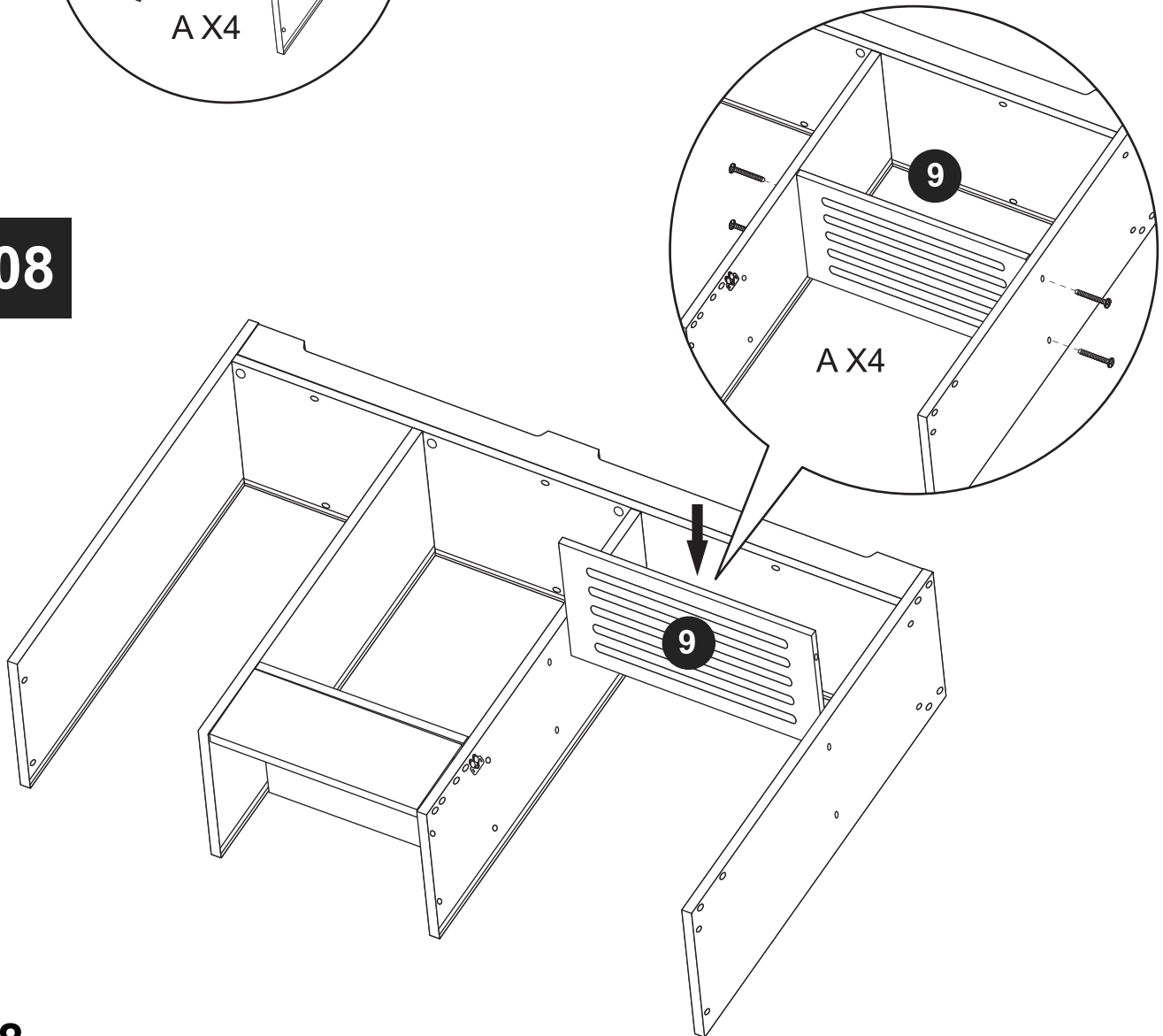


07

07

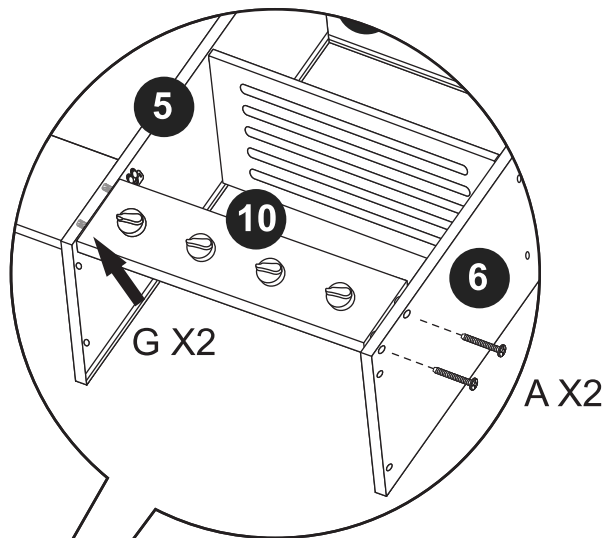
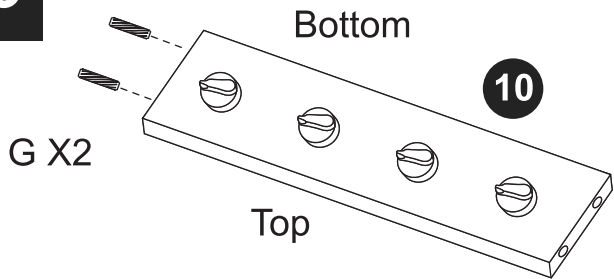


08

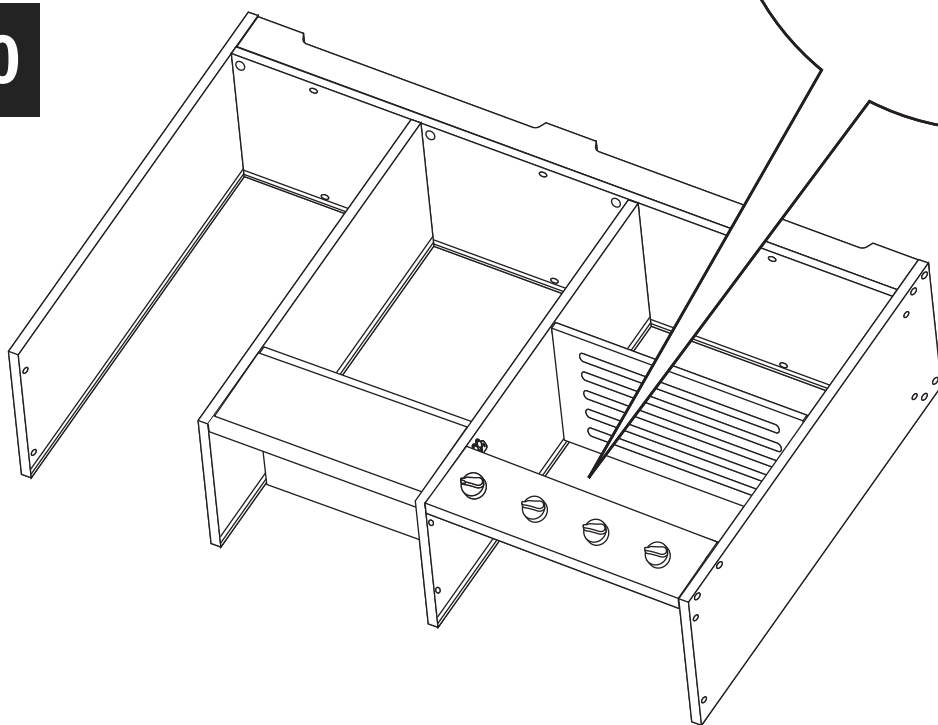


08

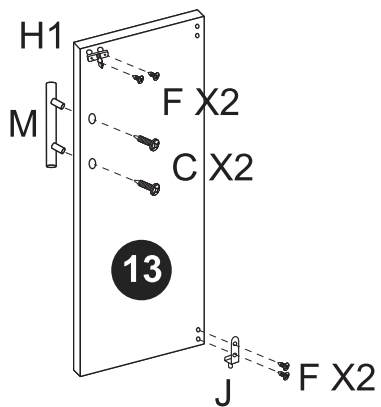
09



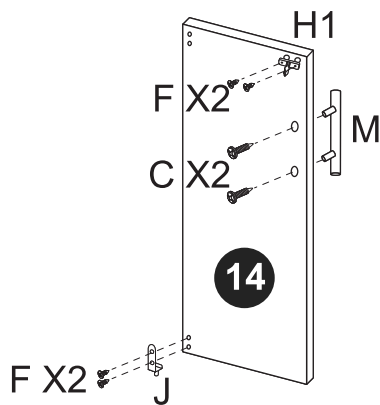
10



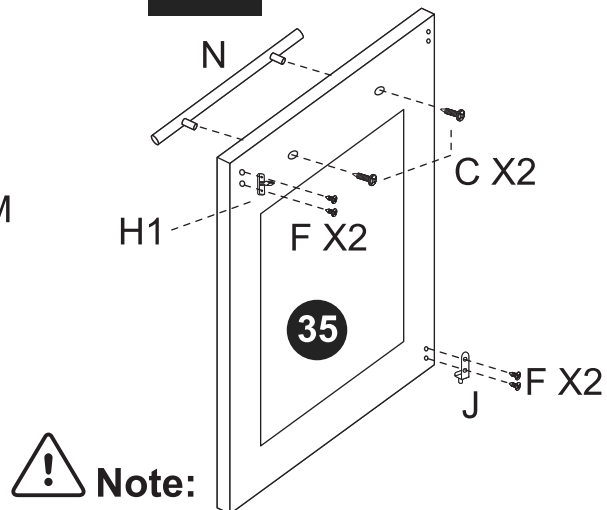
11



12



13



Note:

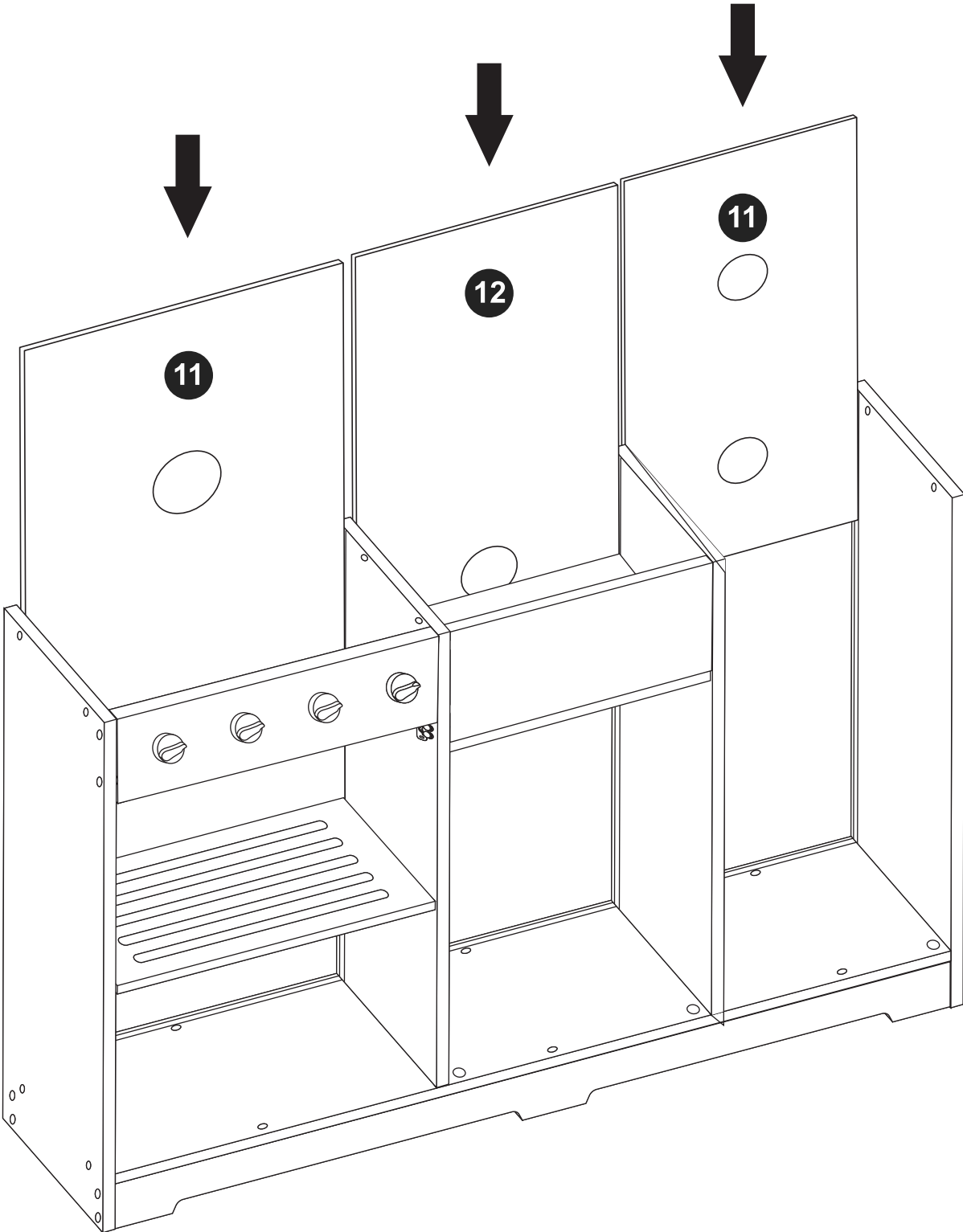
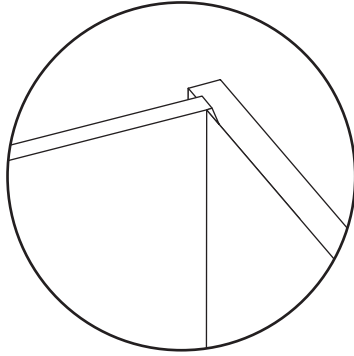
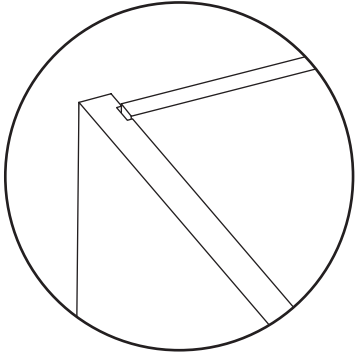
Remove protective film before use.

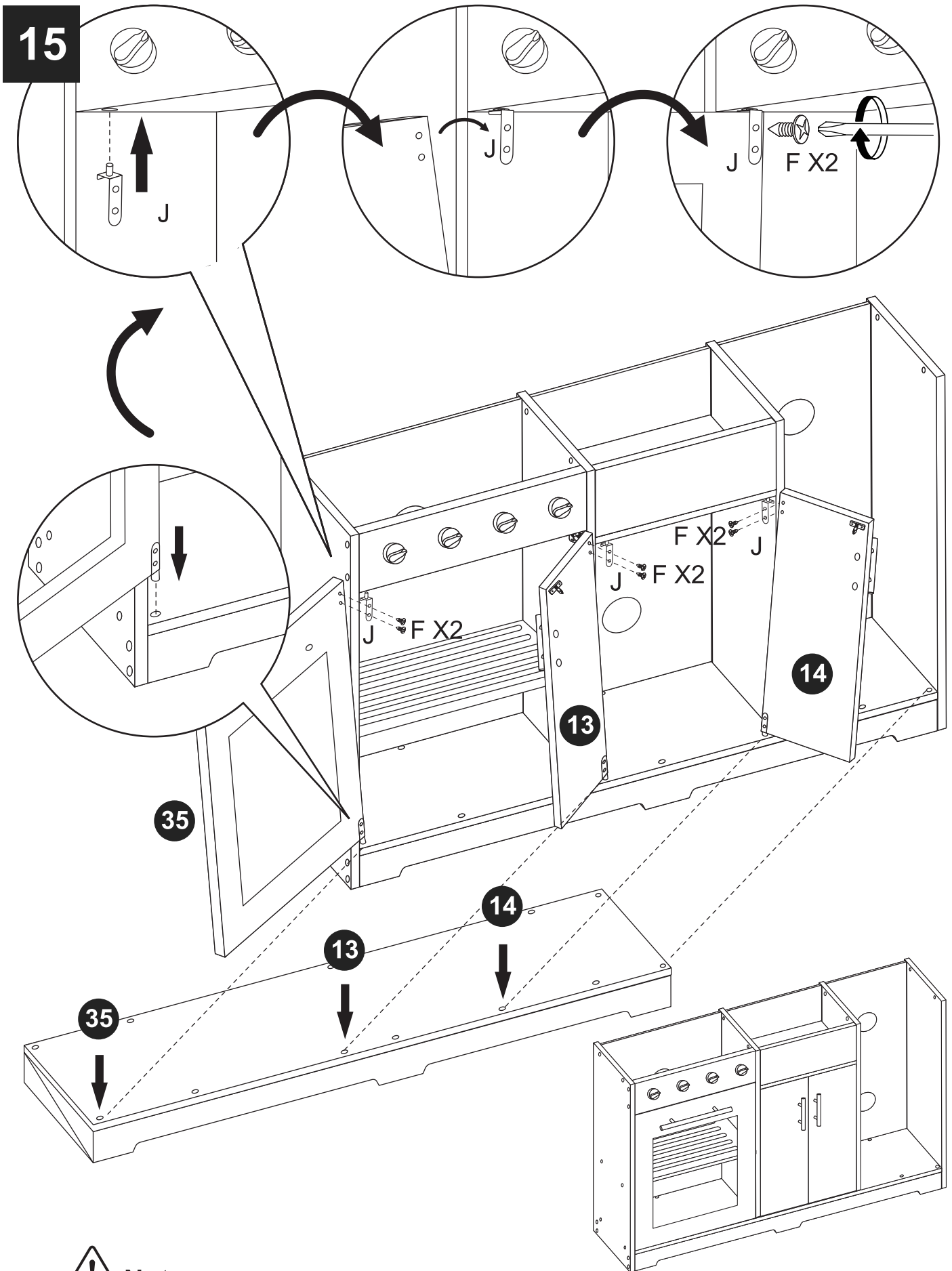
14



Note:

The joints of each board should be aligned.

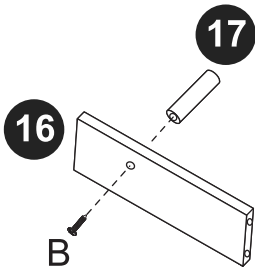




⚠ Note:

Firstly, insert part **35** into the bottom holes of the base. Then insert part **J** on the top. Align part **J** with the top of part **35** and screw them with two screw **F**. Repeat the above steps to assemble part **13** and part **14**.

16

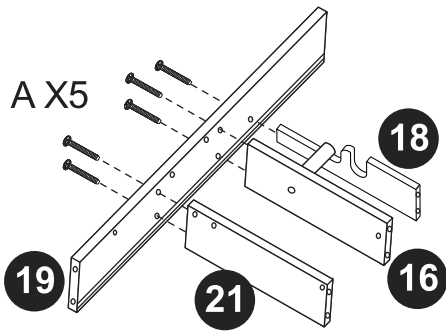


 **Note:**

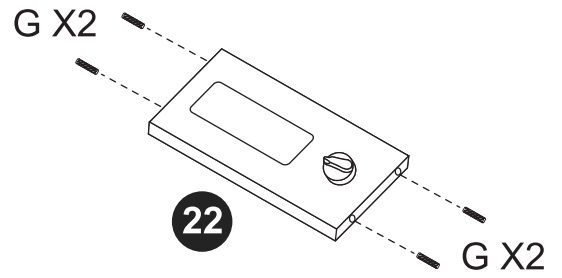
The screw hole at the center of part **16** is for part **18**.

The hole on the side is for part **17**. Please place the two parts correctly.

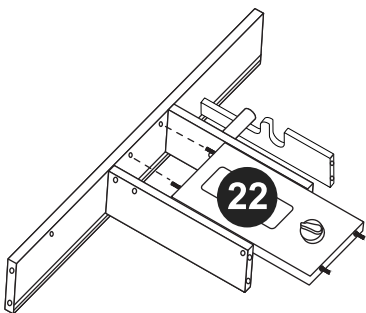
17



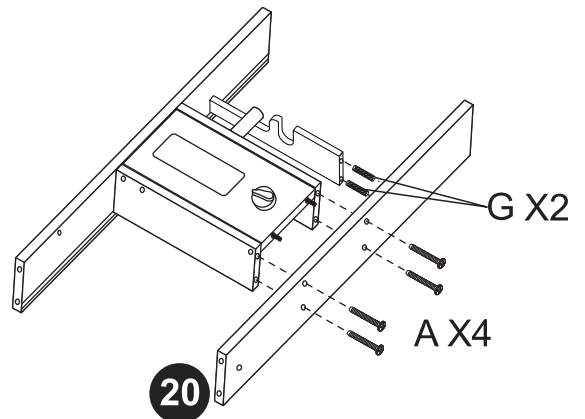
18



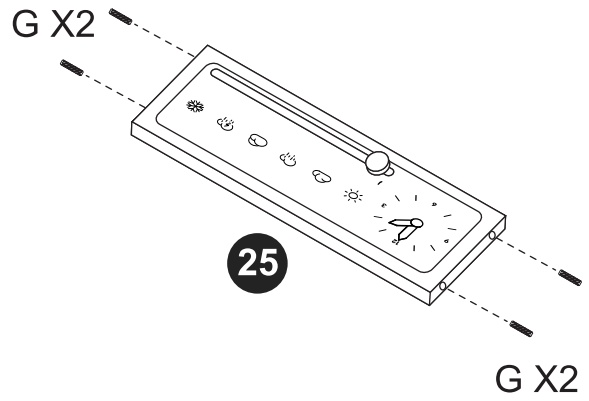
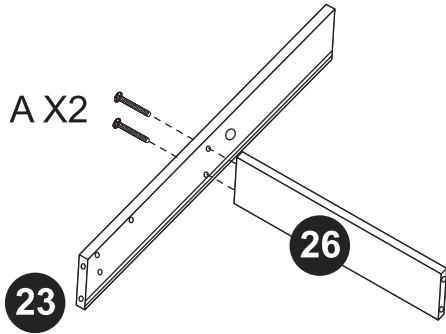
19



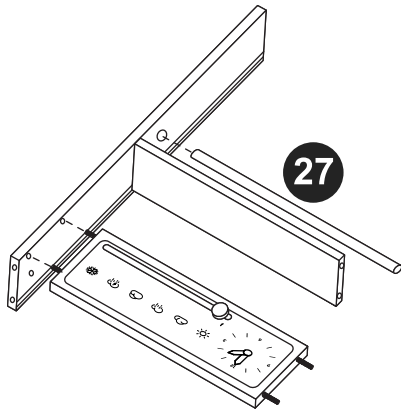
20



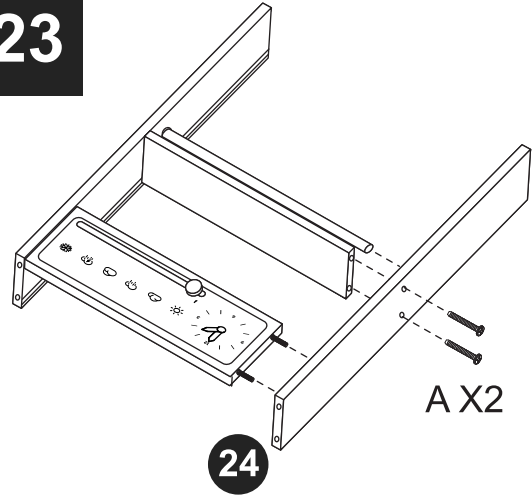
21



22

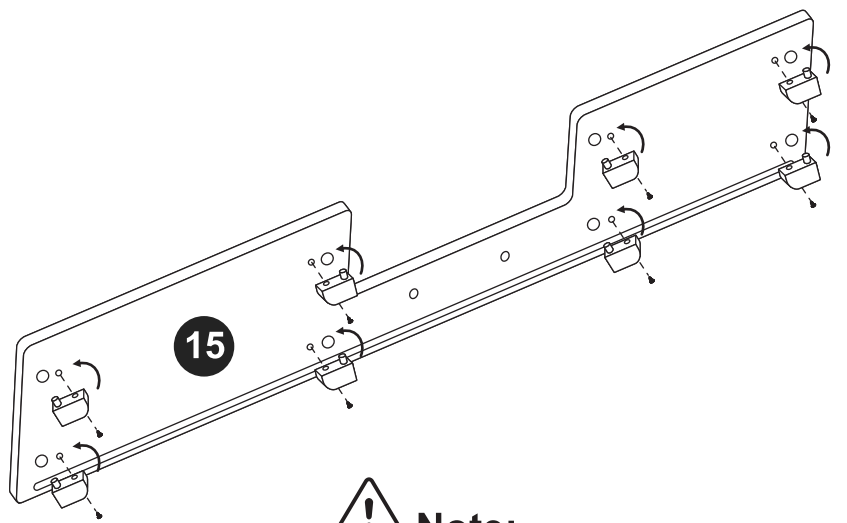
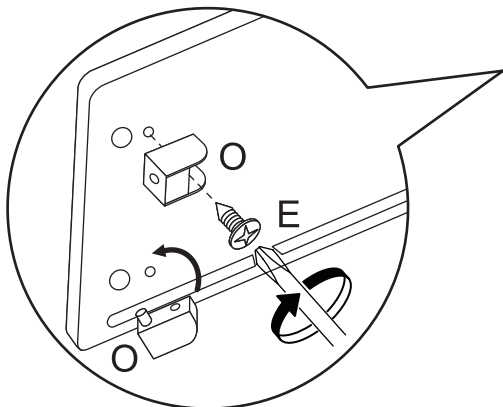


23



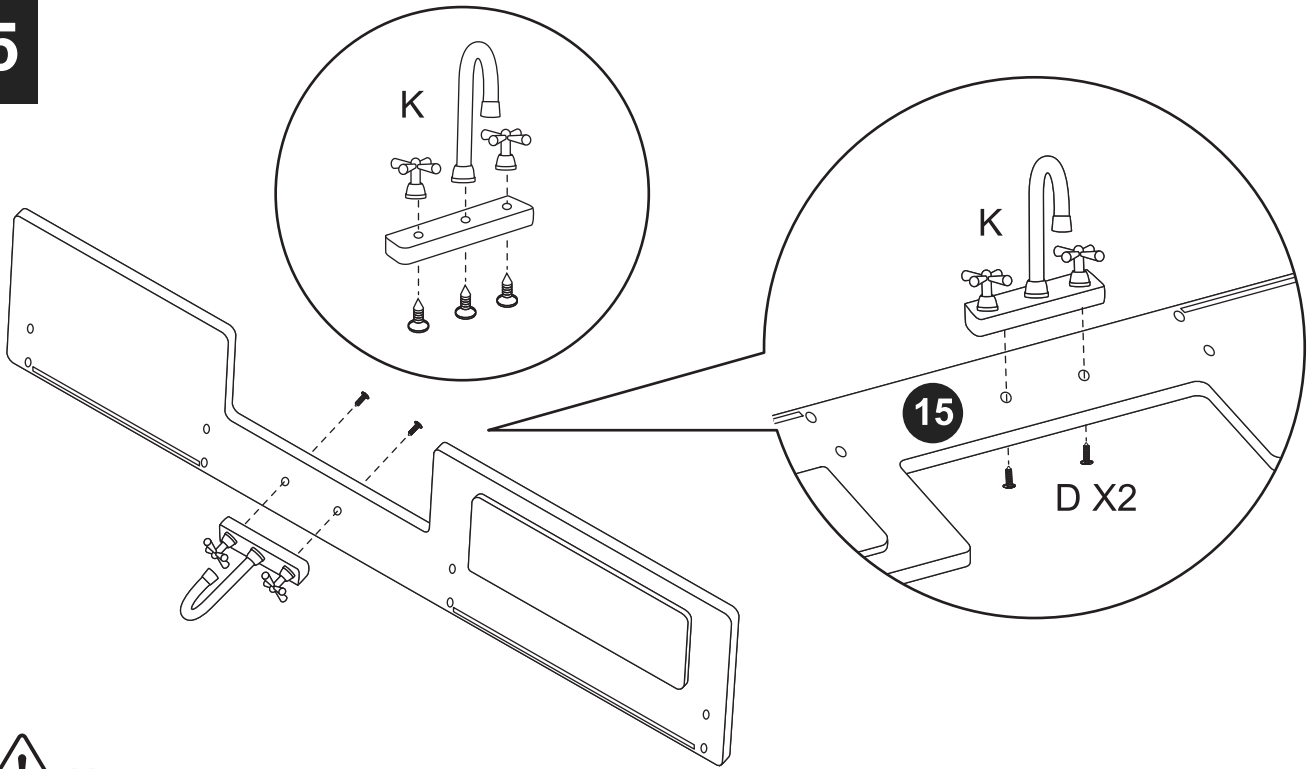
25

24



⚠ Note:
The orientation of part **O** .
Screw it manually, otherwise,
the electric screwdriver will
damage it.

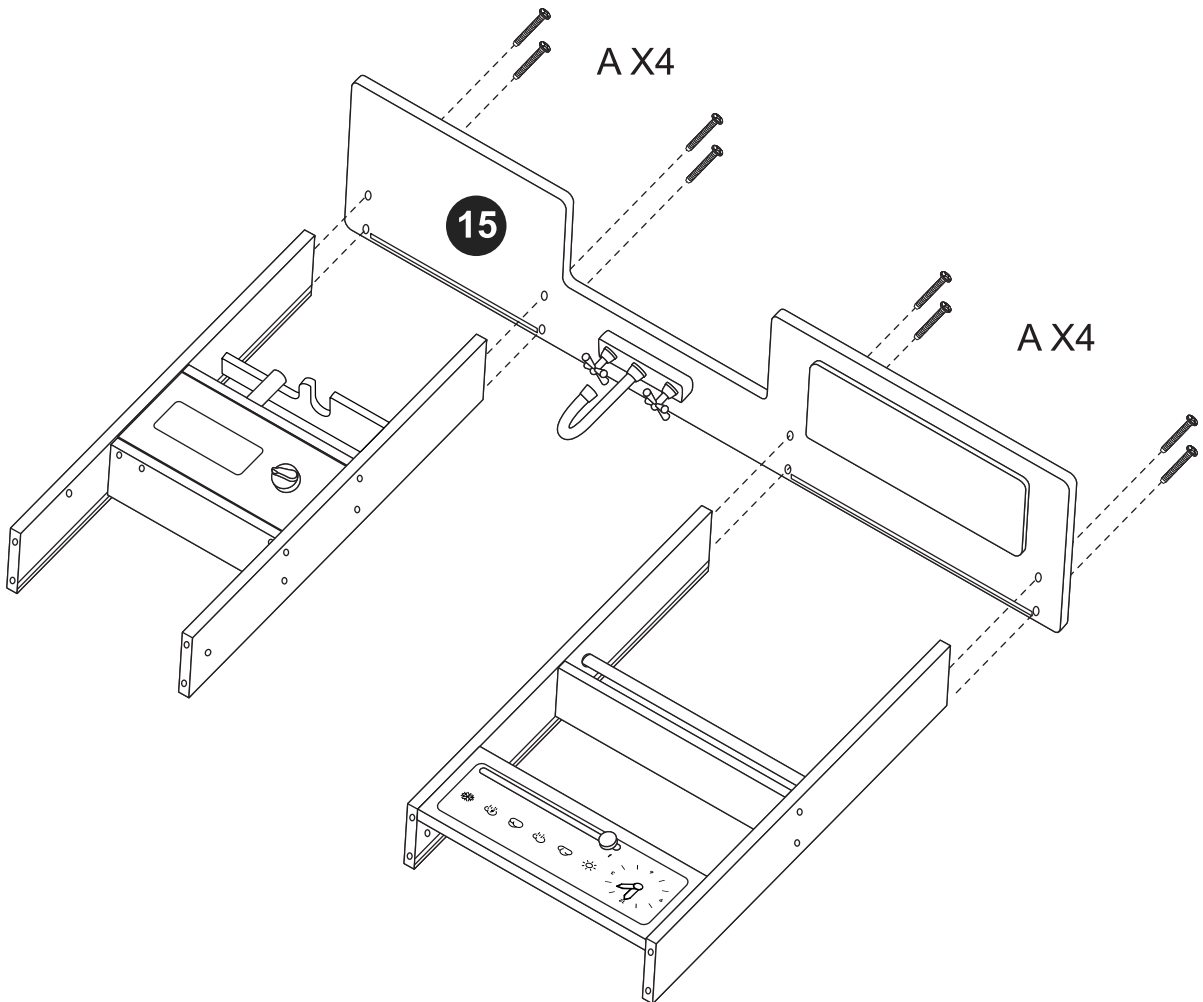
25



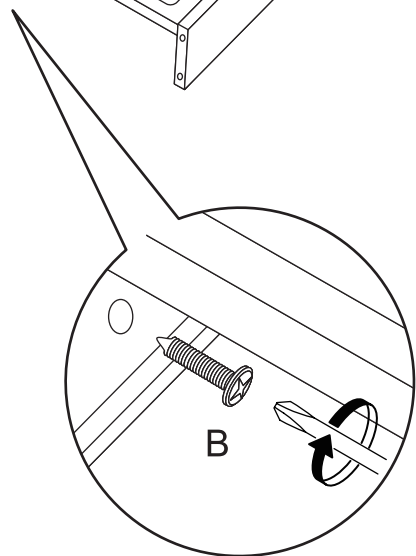
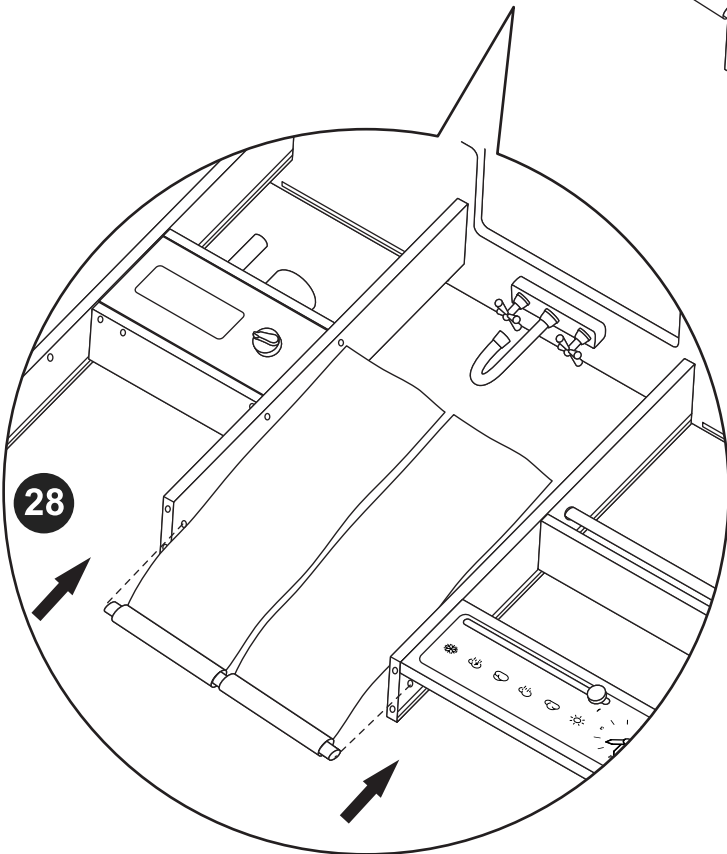
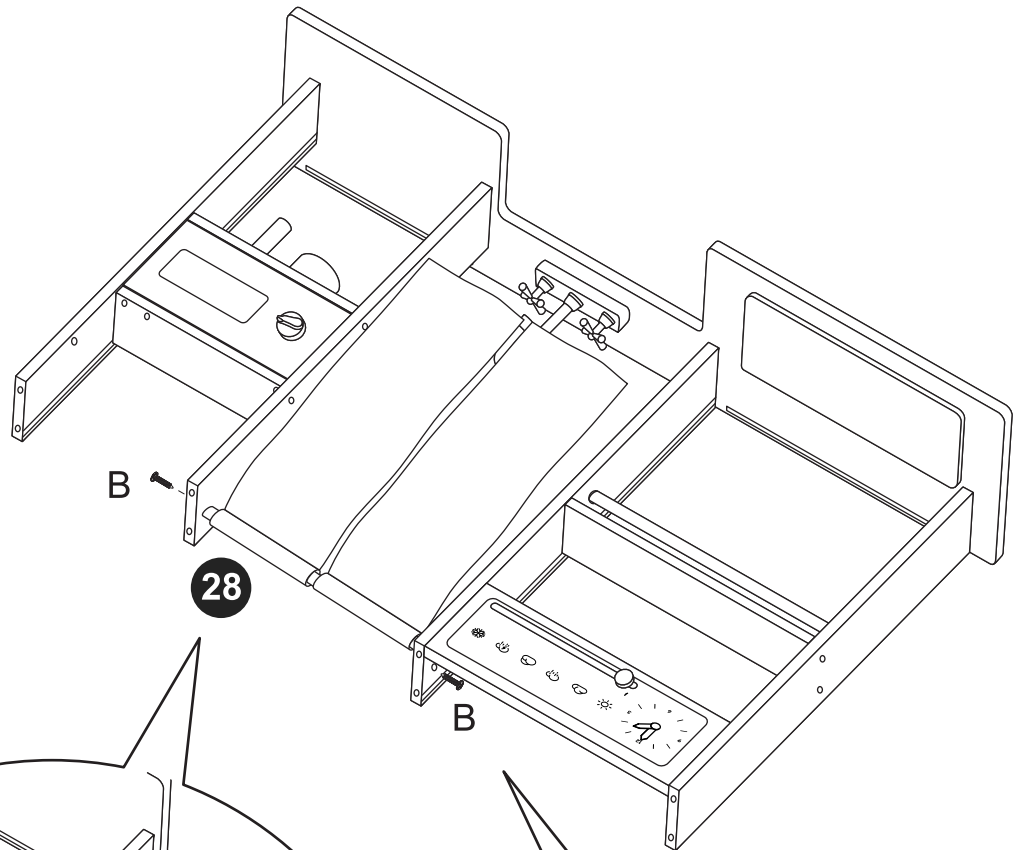
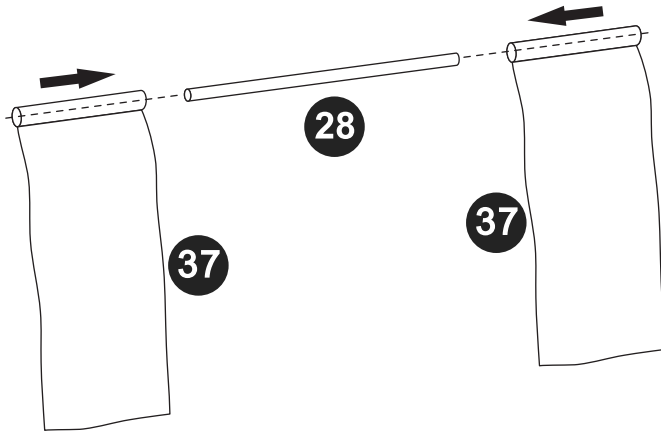
! Note:

Screw the faucet manually, otherwise, the electric screwdriver will damage it.

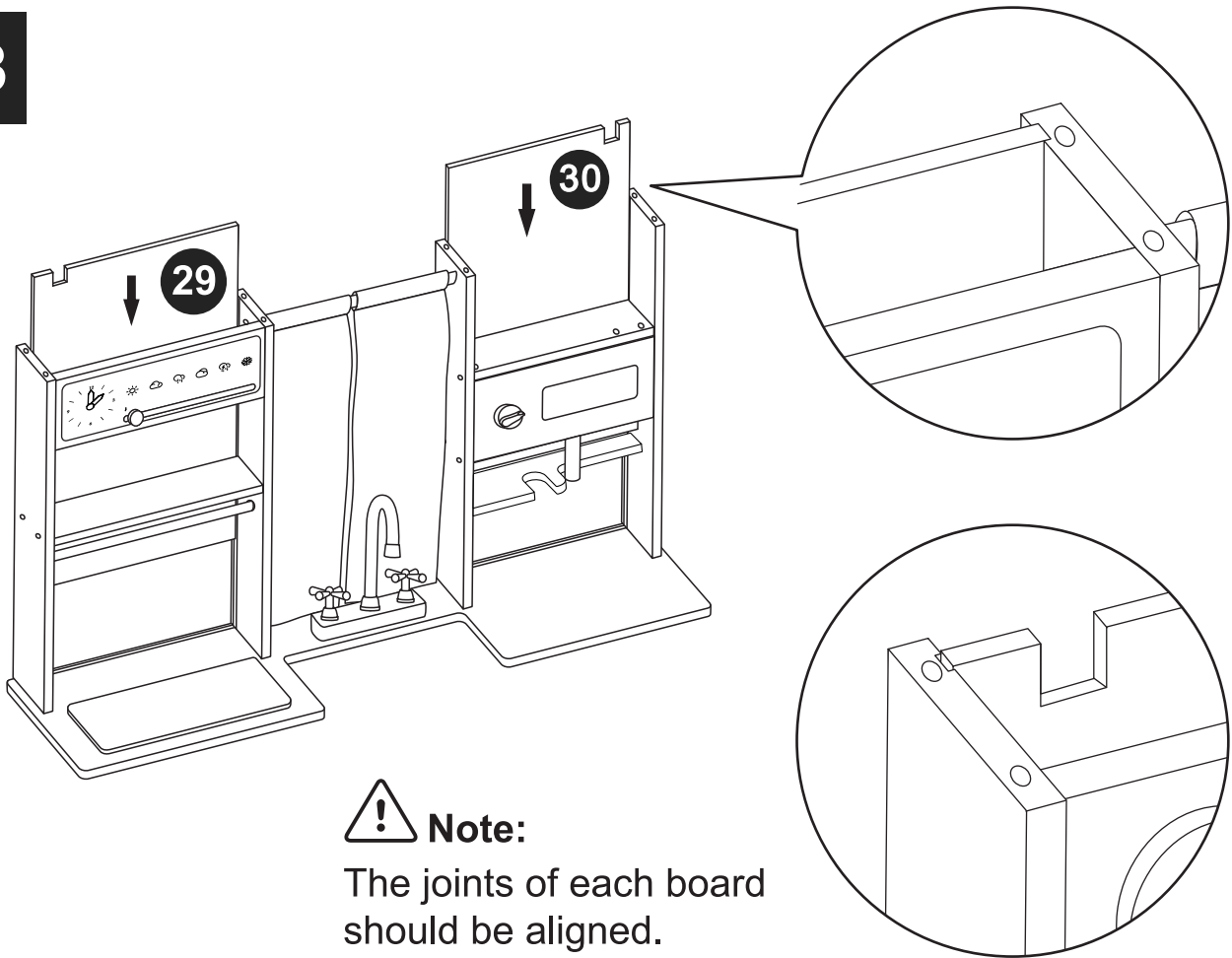
26



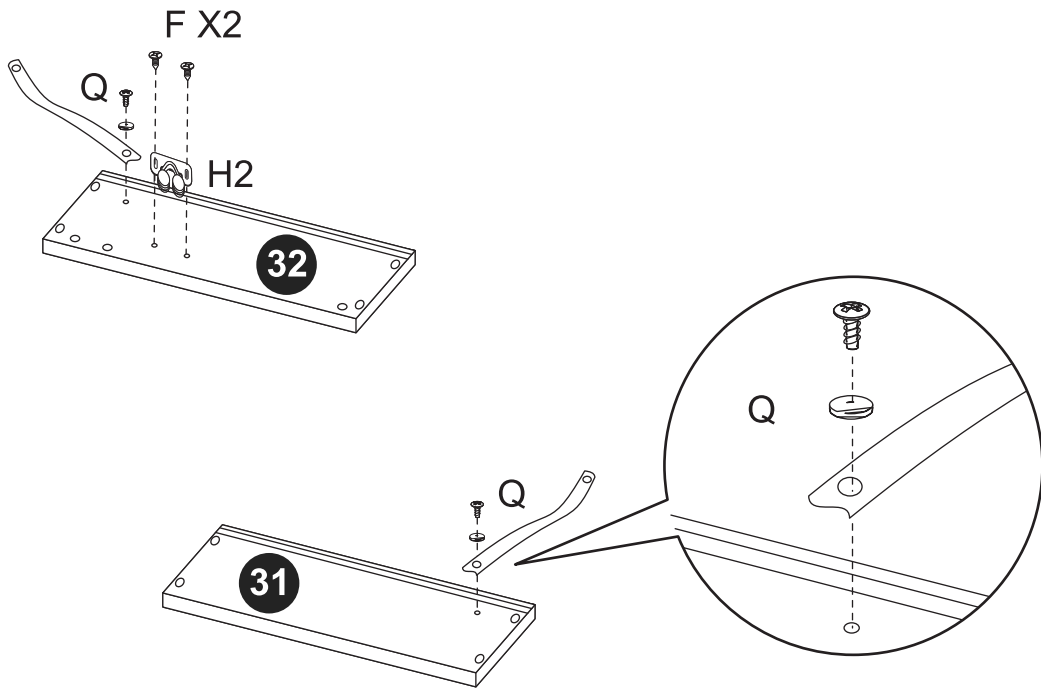
27



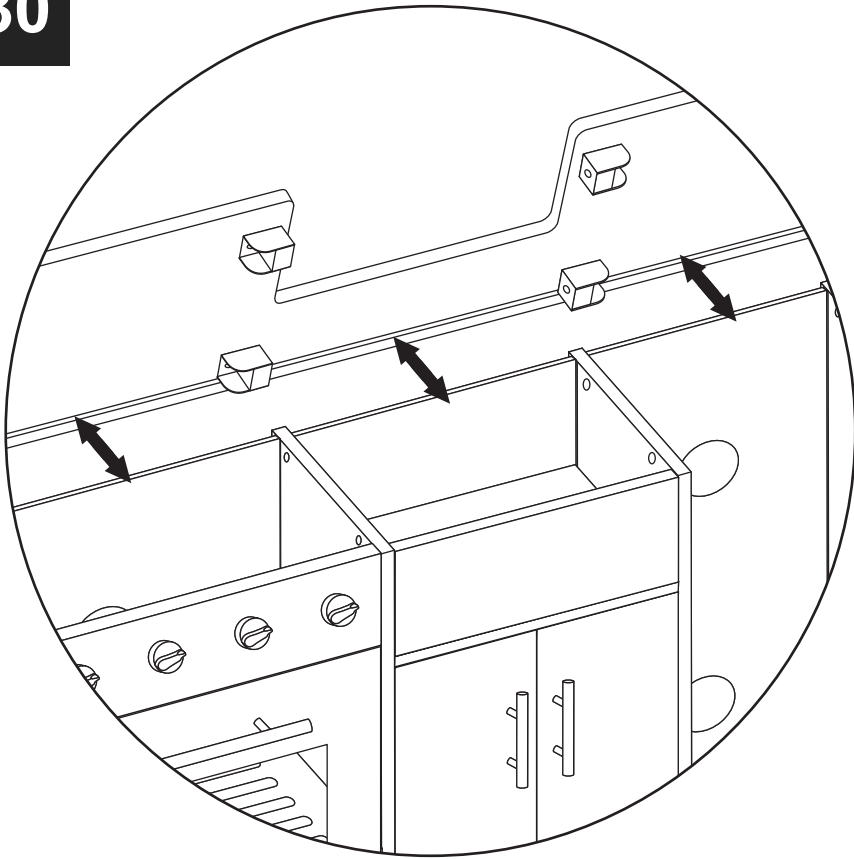
28



29

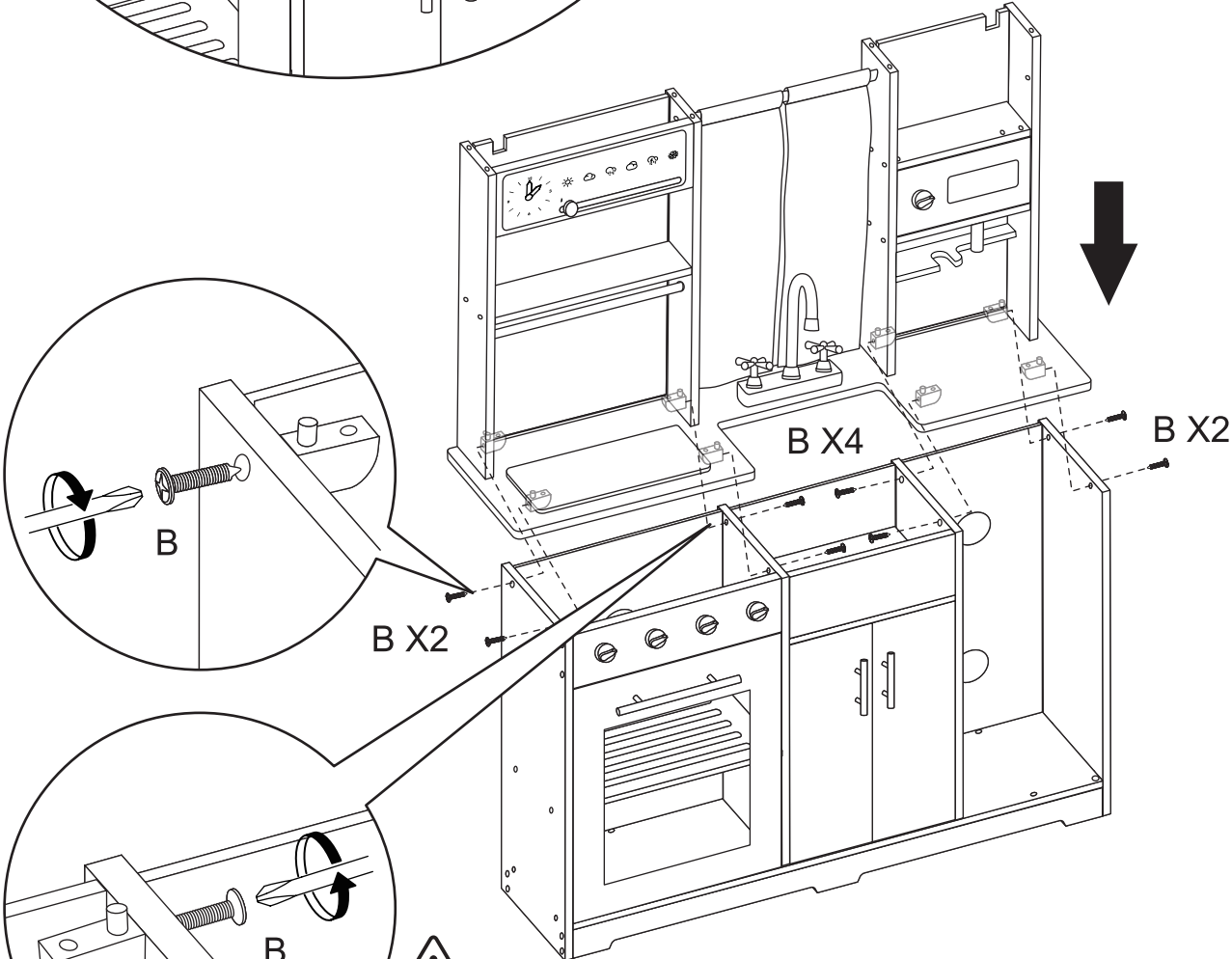


! **Note:**
Notice the installation sequence of part **Q** .



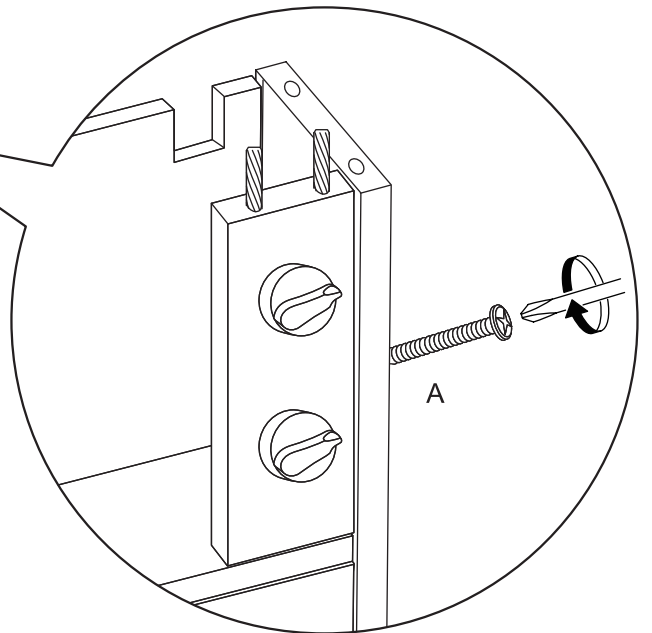
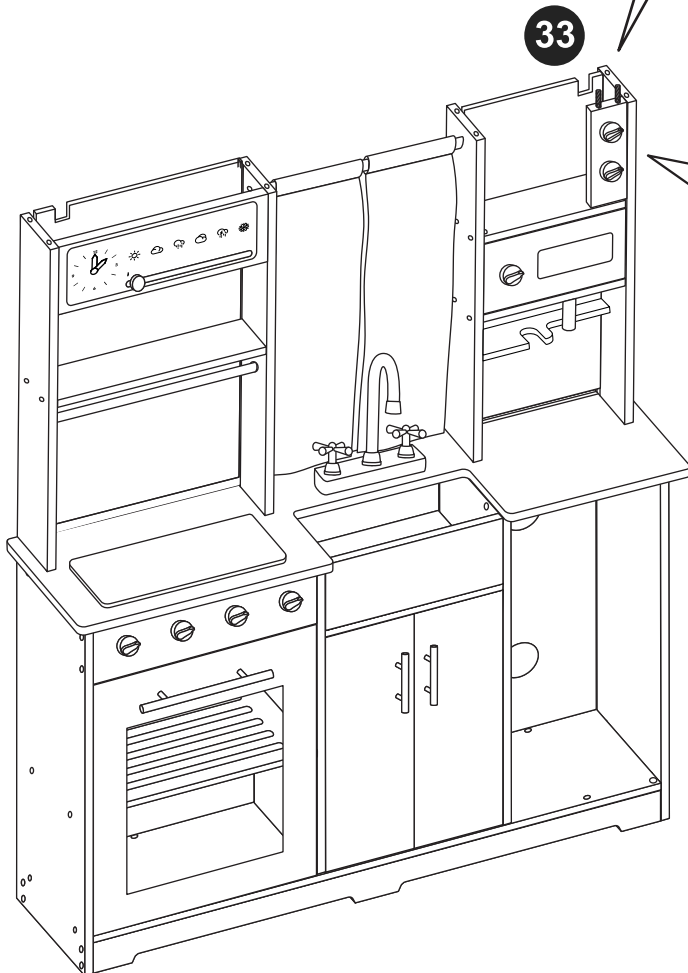
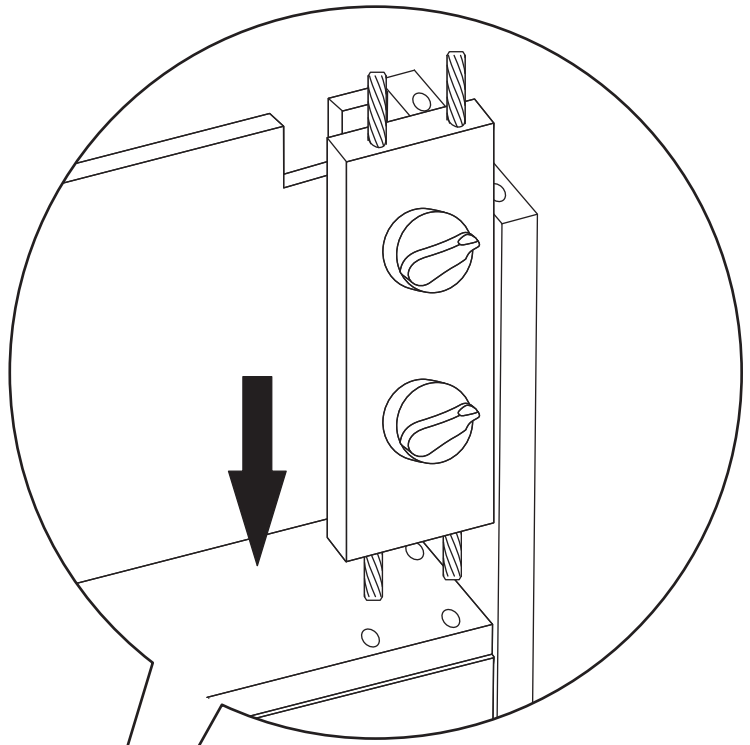
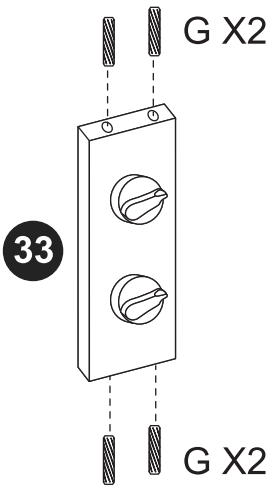
Note:

The joints of each board should be aligned.

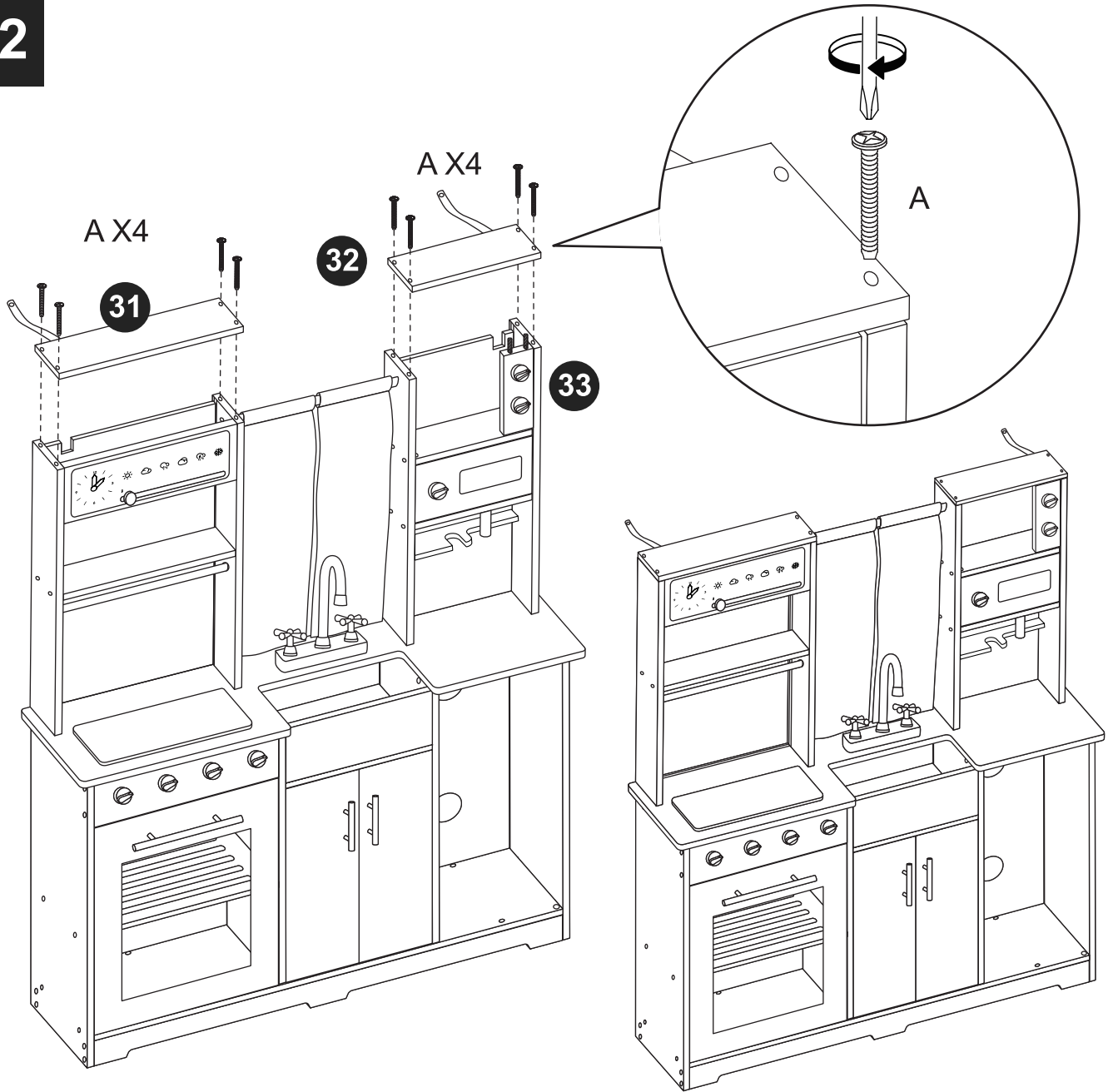


Note:

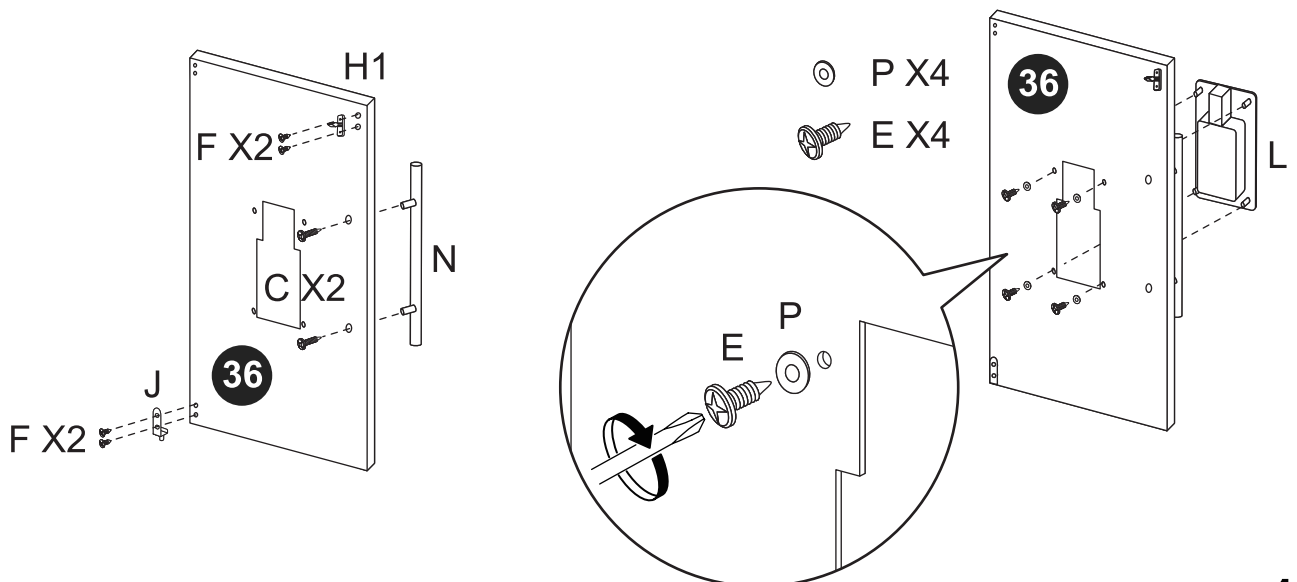
There are 8 **O** sections. Please assemble them all and make sure the screws are fully tightened to ensure a stable connection between the upper and lower parts of the kitchen.



32

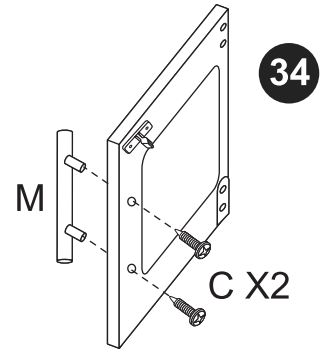
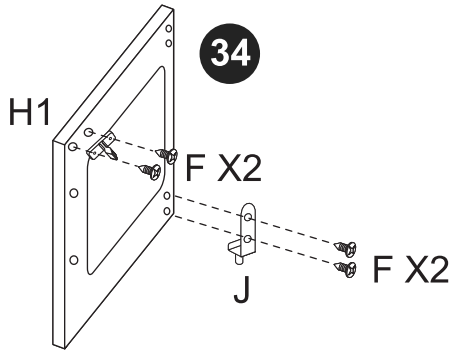


33

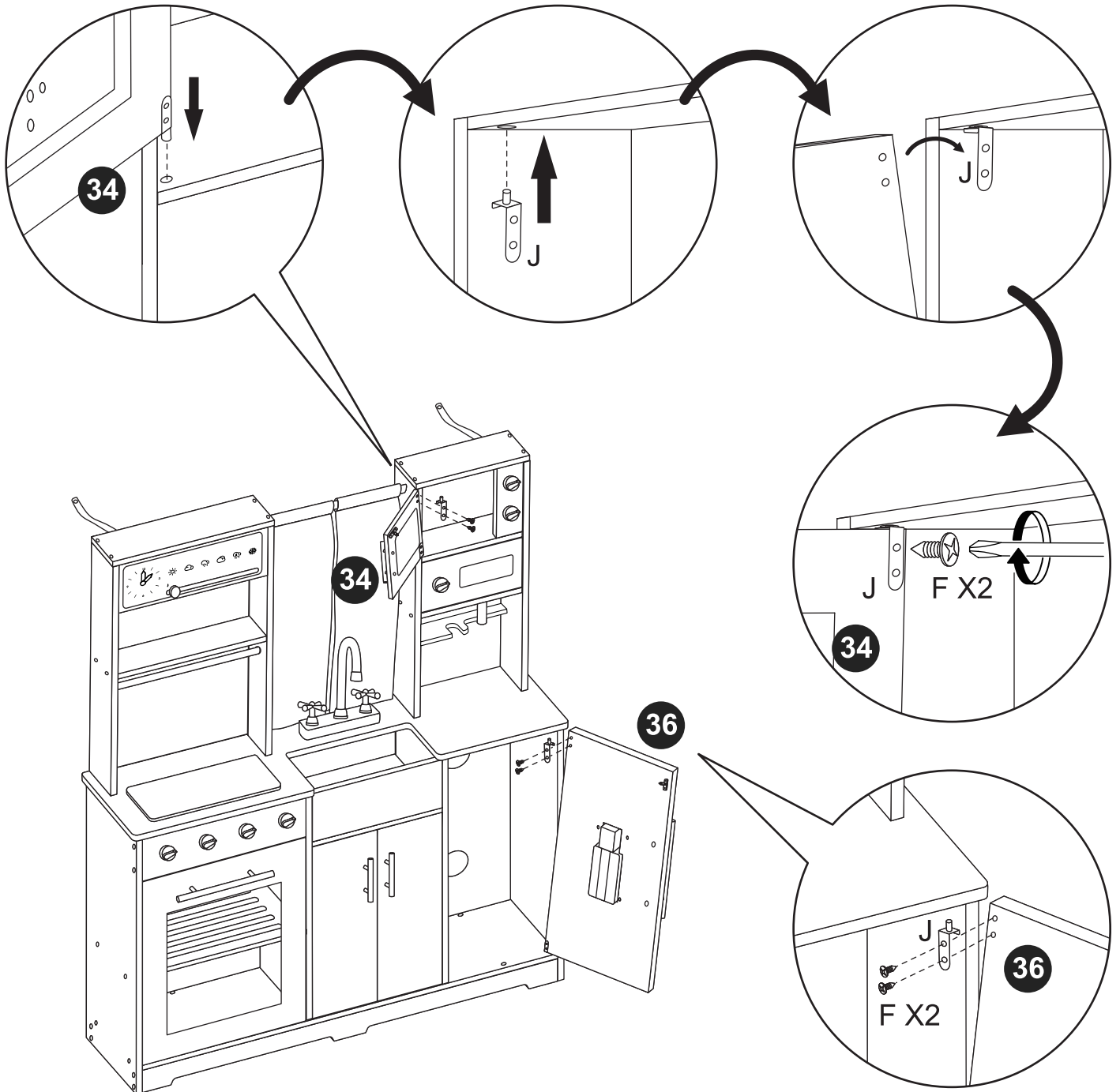


34

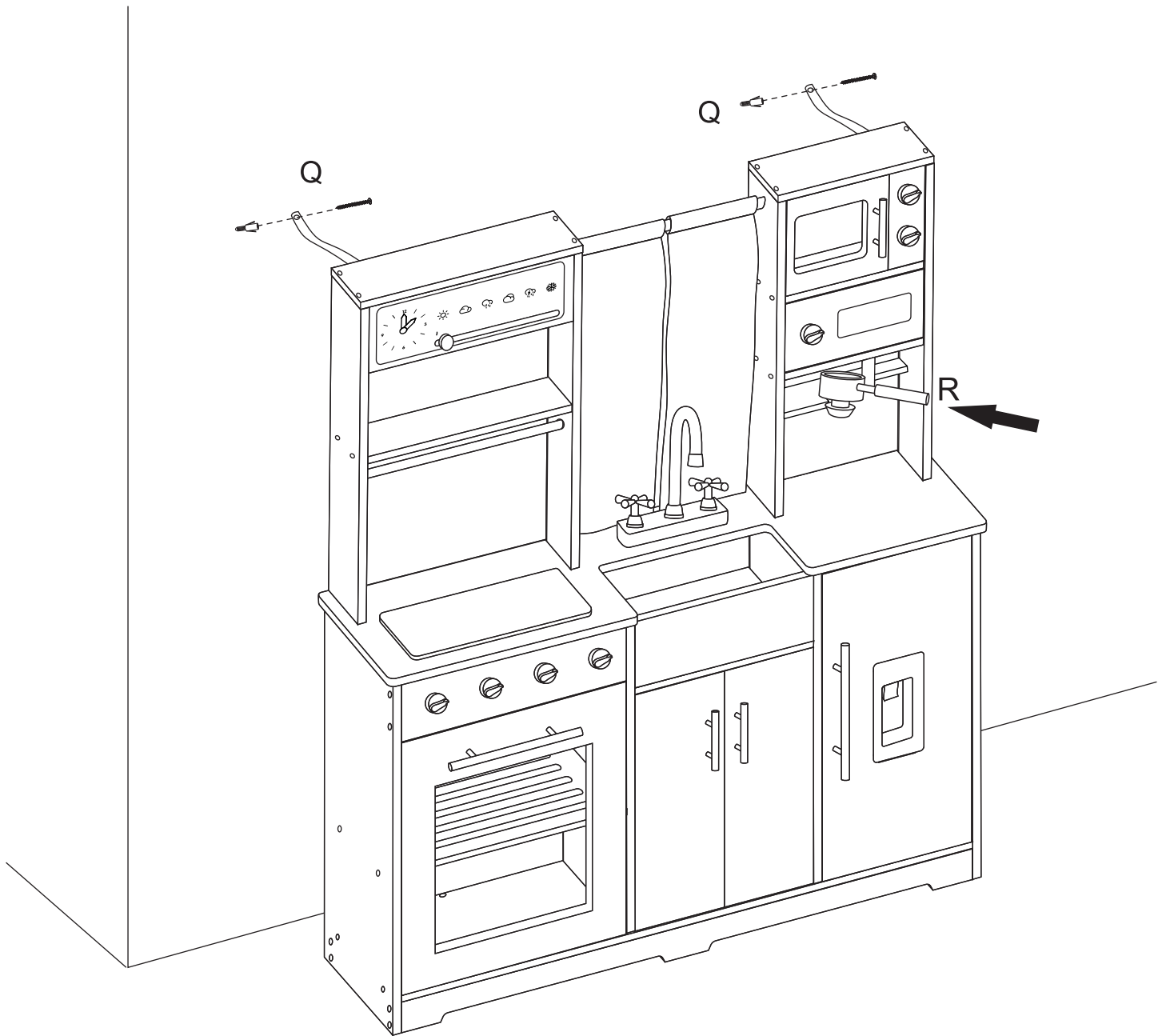
! **Note:** Remove protective film before use.



35



20



Congratulation! You have finished assembling your adorable play kitchen!

This safety bracket is designed to fix the furniture to the wall and prevent it from tipping over if a child climbs or hangs on it. Do not allow children to climb. The package contains parts of 2 different ways to fix the bracket on the wall. Different wall materials require different types of fixing devices. If you are uncertain about what type of screw or fitting to use, please contact your hardware store.

PARENTAL SUPERVISION REQUIRED

- This toy is intended for children of a specific age or above.
- Parents should supervise the play area so that children younger than the intended age range do not interact with this toy.
- Use this toy on the floor.
- Do not allow children to climb on or around or in the toy.

CLEANING INSTRUCTIONS

- Clean the surface using a dry cloth or a slightly damp cloth if necessary.
- Don't use any cleaning product containing alcohol or ammonia, which may dull the surface of the product.

SOLE AND LIMITED WARRANTY

- This toy is warranted solely against manufacturing defects for a period of 1 year from the date of purchase, which runs only to the original user of the toy. Event of a manufacturing defect, parts will be replaced or the entire product will be replaced or the purchase price will be refunded, at the election of the manufacturer.
- To activate and protect this warranty, preserve evidence of original purchase and carefully inspect the condition of the toy prior to and after assembly, looking for missing, degraded, broken or hazardous parts, including parts which can be swallowed by a child, cause a child to choke, or otherwise cause injury.
- When you observe any defects, don't use the toys and contact us immediately. Misuse, improper assembly, failure to honor a warning, failure to supervise, inspect or maintain the toy, or damage to the toy, whether intentional or inadvertent, shall invalidate this warranty.

PLEASE FEEL FREE TO CONTACT US IF YOU HAVE ANY QUESTIONS. WE ARE ALWAYS HERE TO HELP YOU BUILD YOUR PLAY KITCHEN.

 @tinylandus

 @tinylandtoy

 www.tinylandus.com

 customer_care@tinylandus.com

