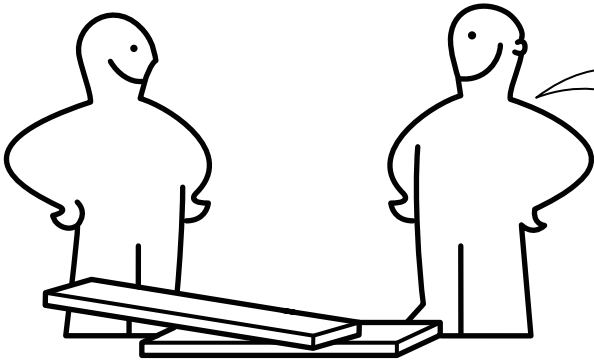


4 X  1.5V AAA

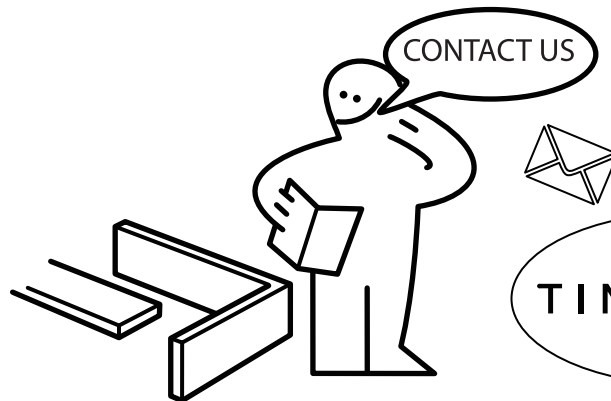
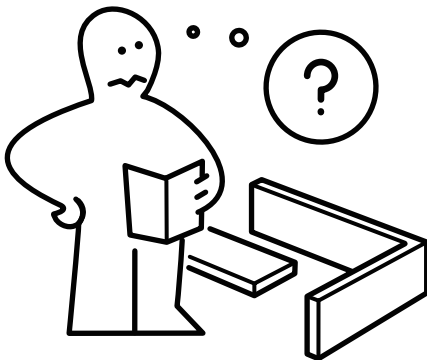
**⚠ WARNING**

Use 4 AAA/1.5V batteries only.  
Don't mix old and new or different types batteries.  
Batteries are to be inserted with the correct polarity.  
Exhausted batteries are to be removed from the toy.



**⚠ WARNING**

Requires adult assembly.  
It's better if two people work together to put it together.  
Keep children away when assembling.

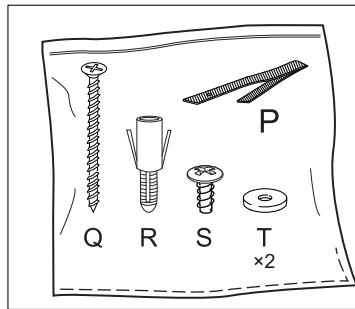
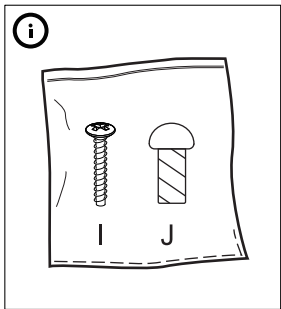
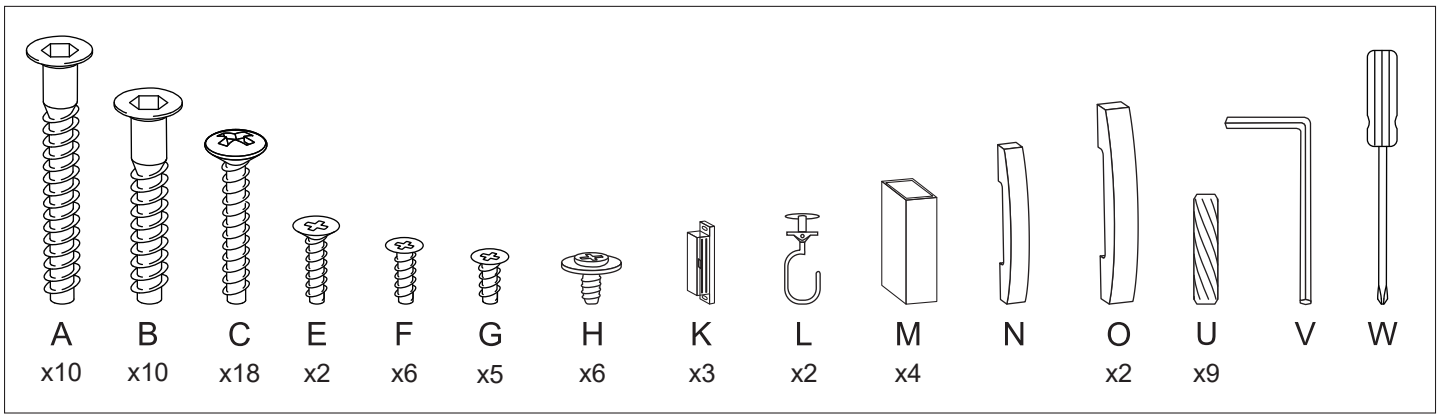


**Without your product review, we don't exist.**

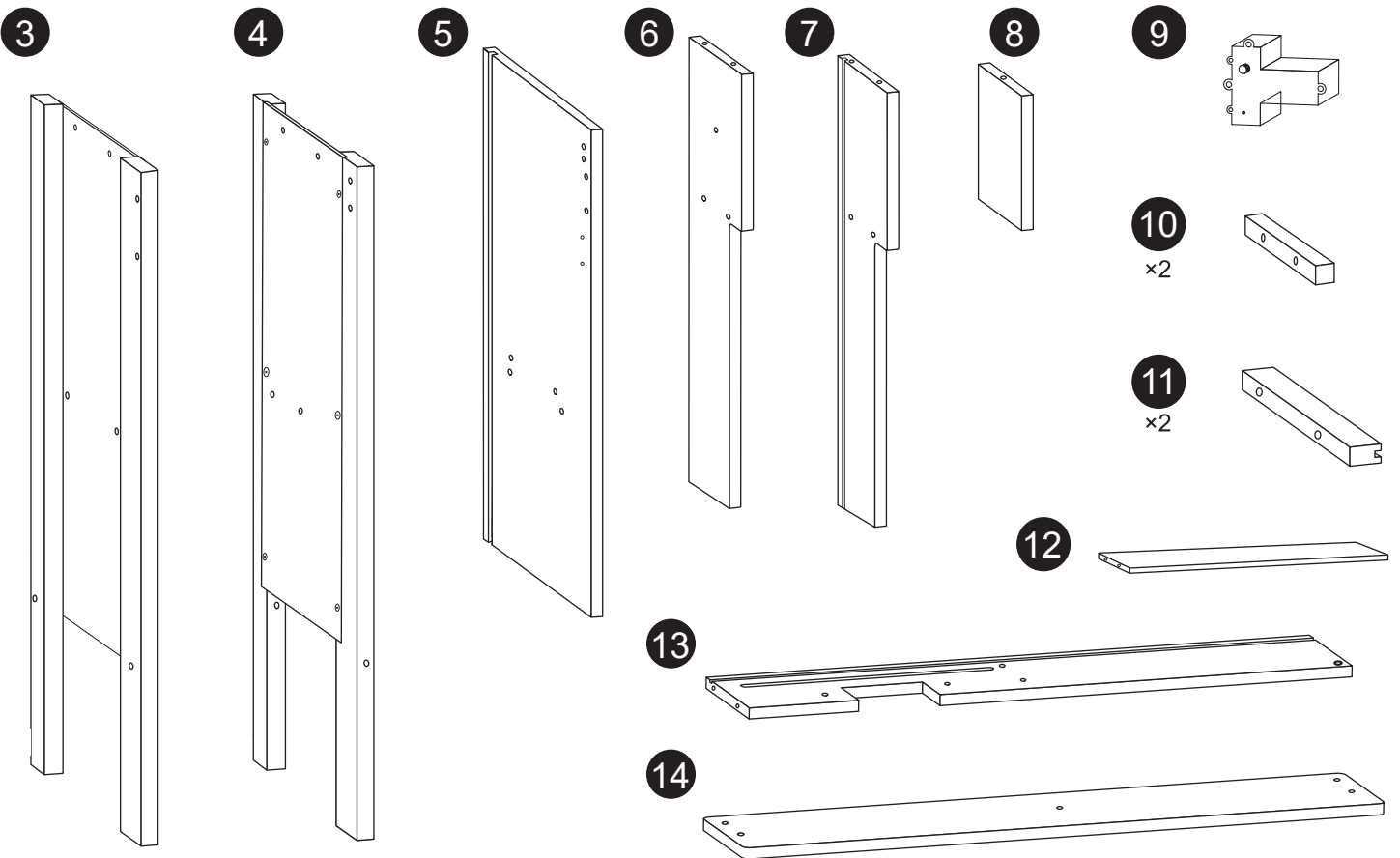
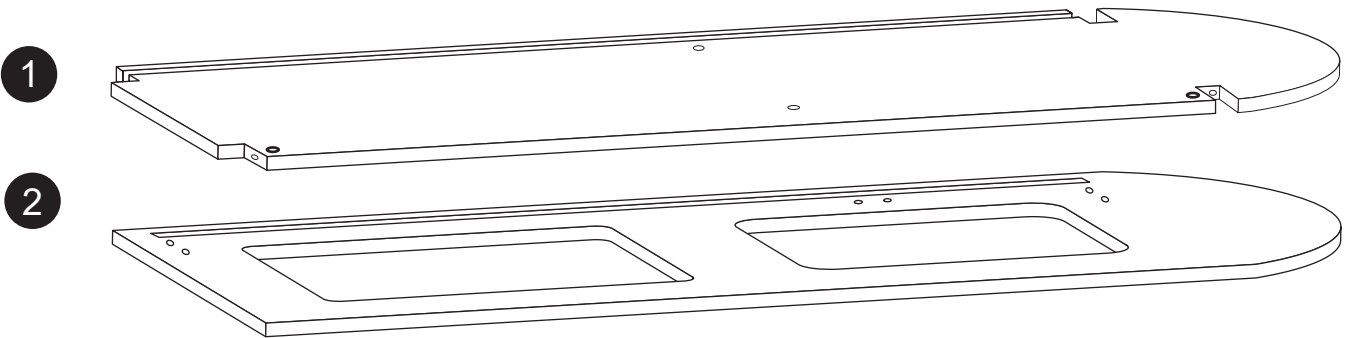
We hope you are satisfied with your purchase and we would love to hear about it.  
Your product review helps us continue providing the best quality product for all valued customers.

If you feel hard to assemble the toy or there is any other problem that makes you feel unhappy with the product, please contact us [customer\\_care@tinylandus.com](mailto:customer_care@tinylandus.com). We are glad to do our best to solve your problem and provide a solution to your satisfaction.

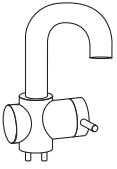
We appreciate your purchase and look forward to hearing from you.



⚠ This safety bracket is designed to fix the furniture to the wall and prevent it from tipping over if a child climbs or hangs on it. The package contains parts of 2 different ways to fix the bracket on the wall. Different wall materials require different types of screw or fitting to use, please contact your hardware store.



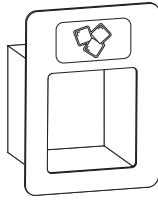
15



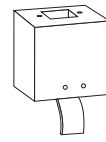
16



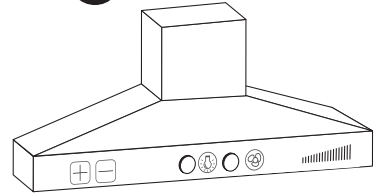
17



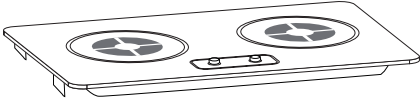
18



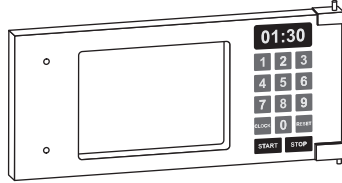
19



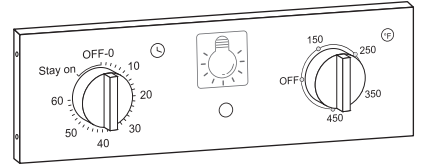
20



21



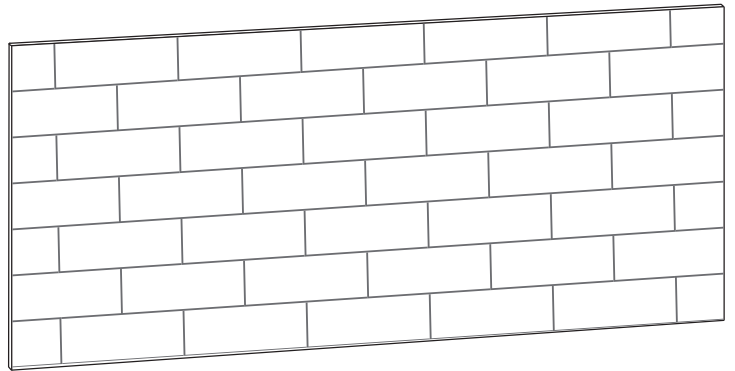
22



23



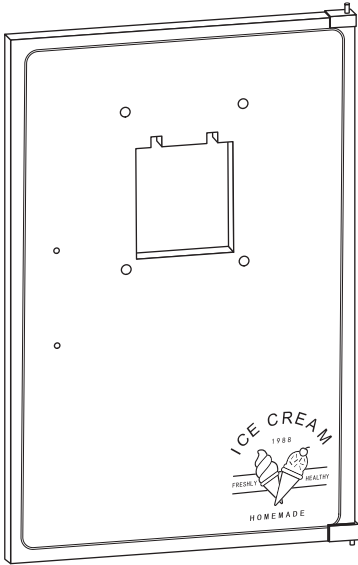
24



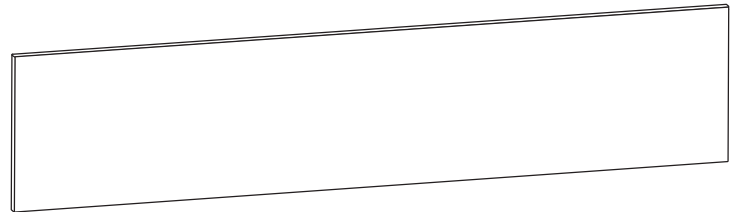
25



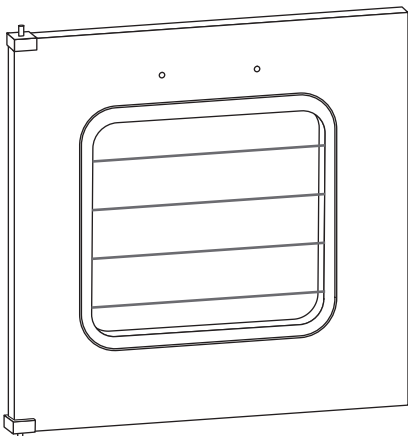
26



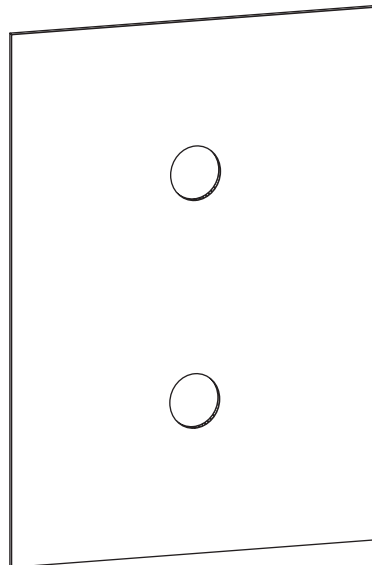
27



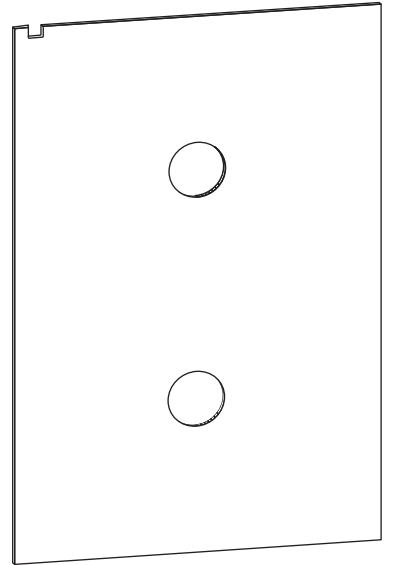
28



29

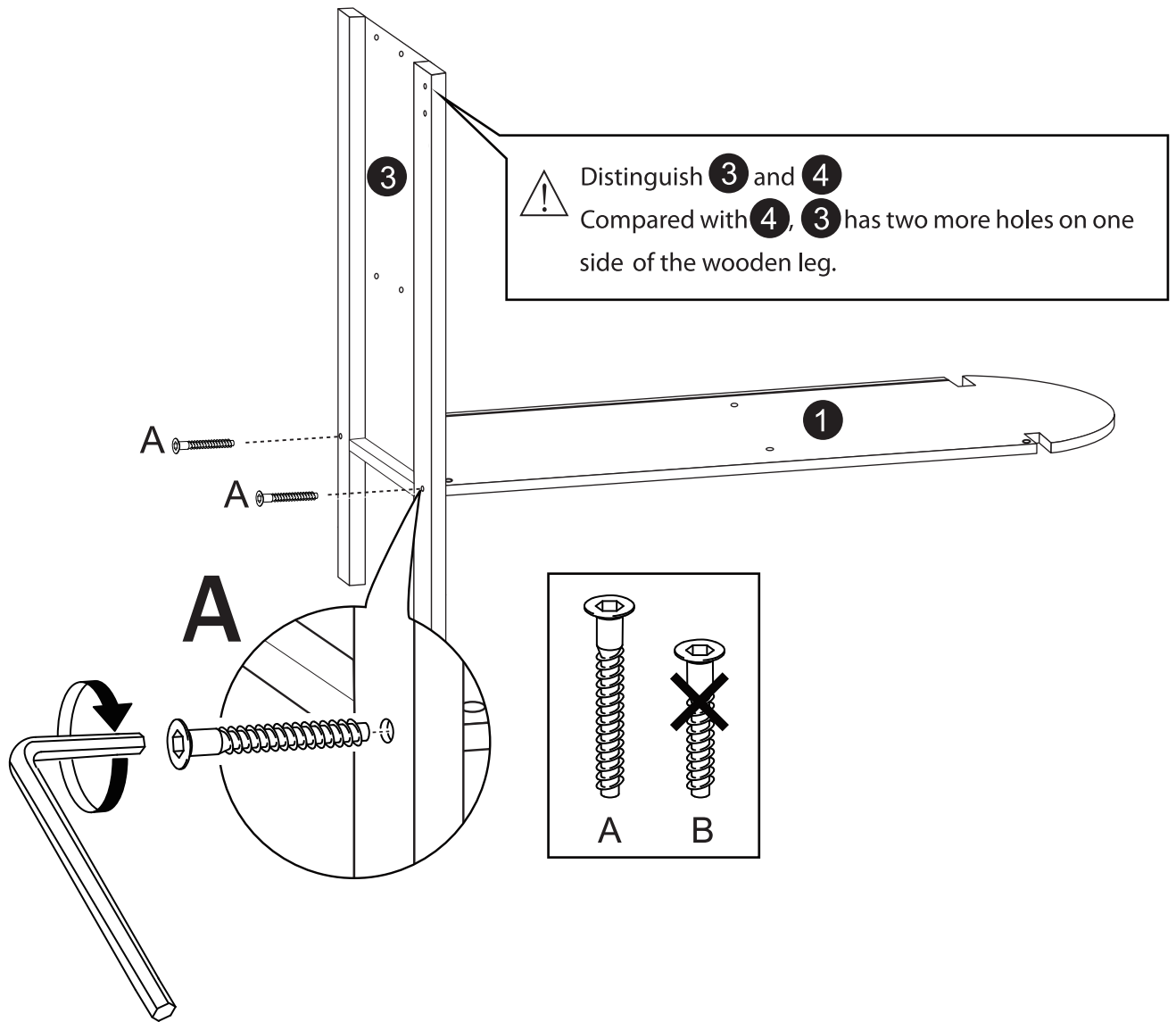


30



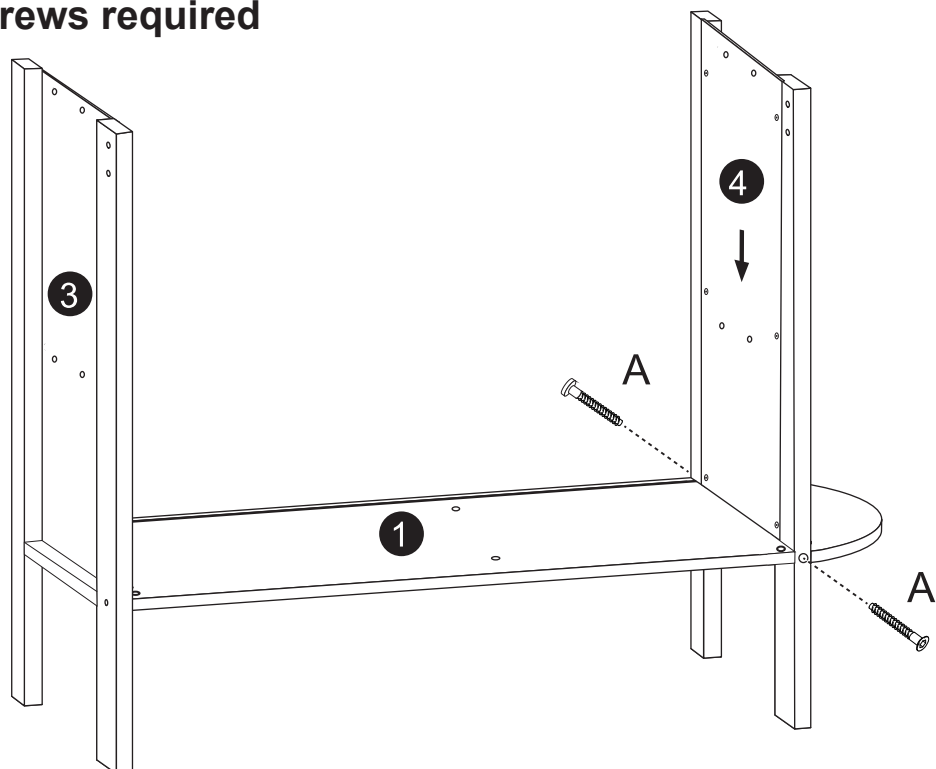
1

Two A screws required



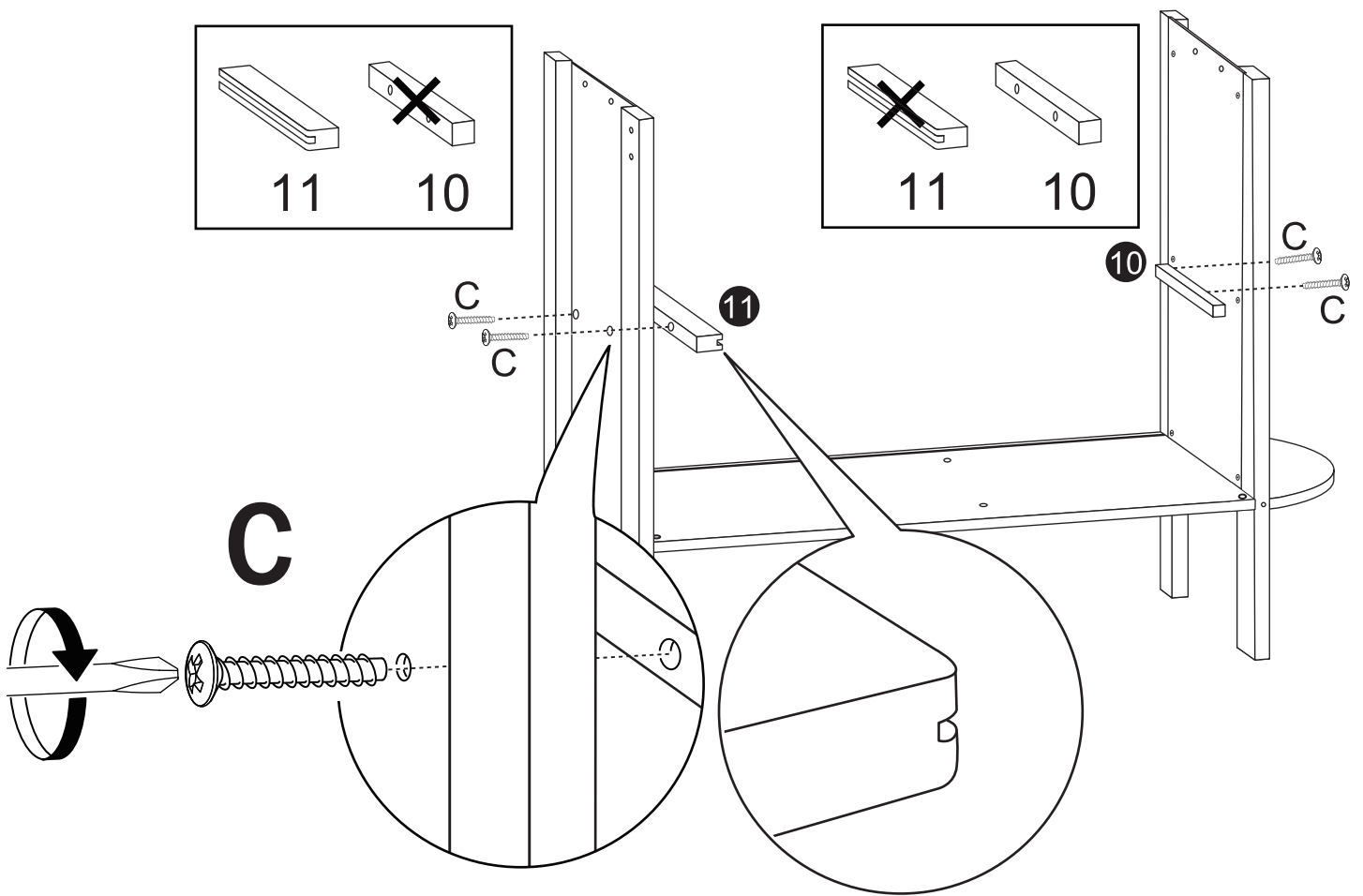
2

Two A screws required



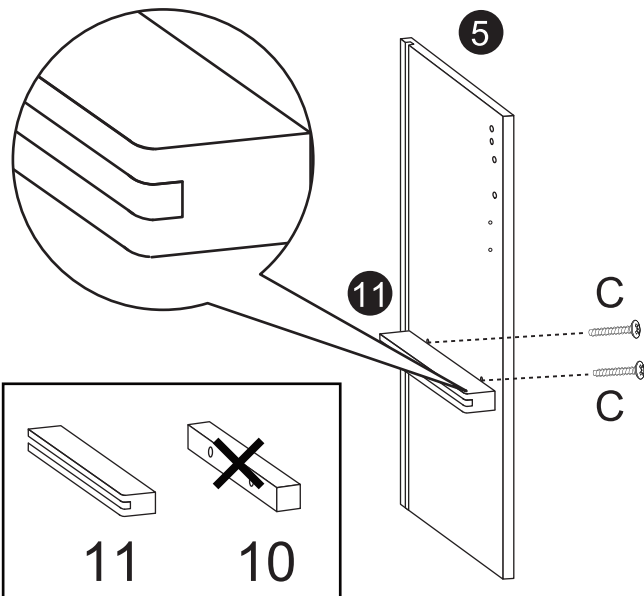
3

Four C screws required



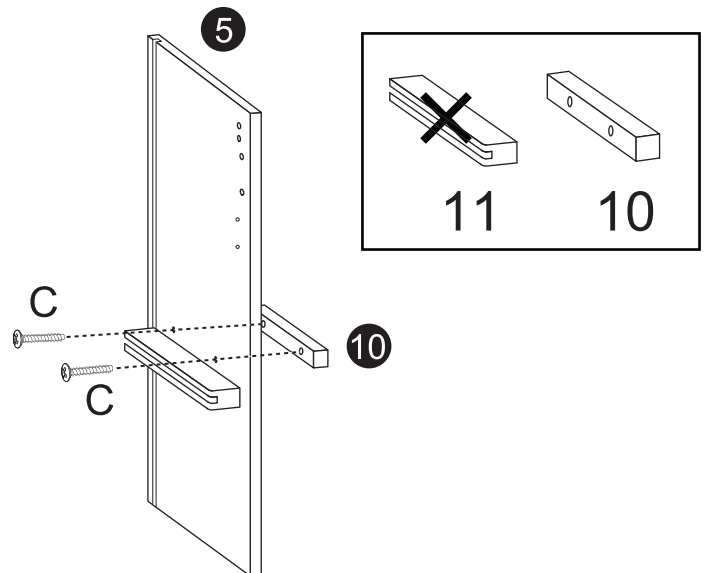
4

Two C screws required



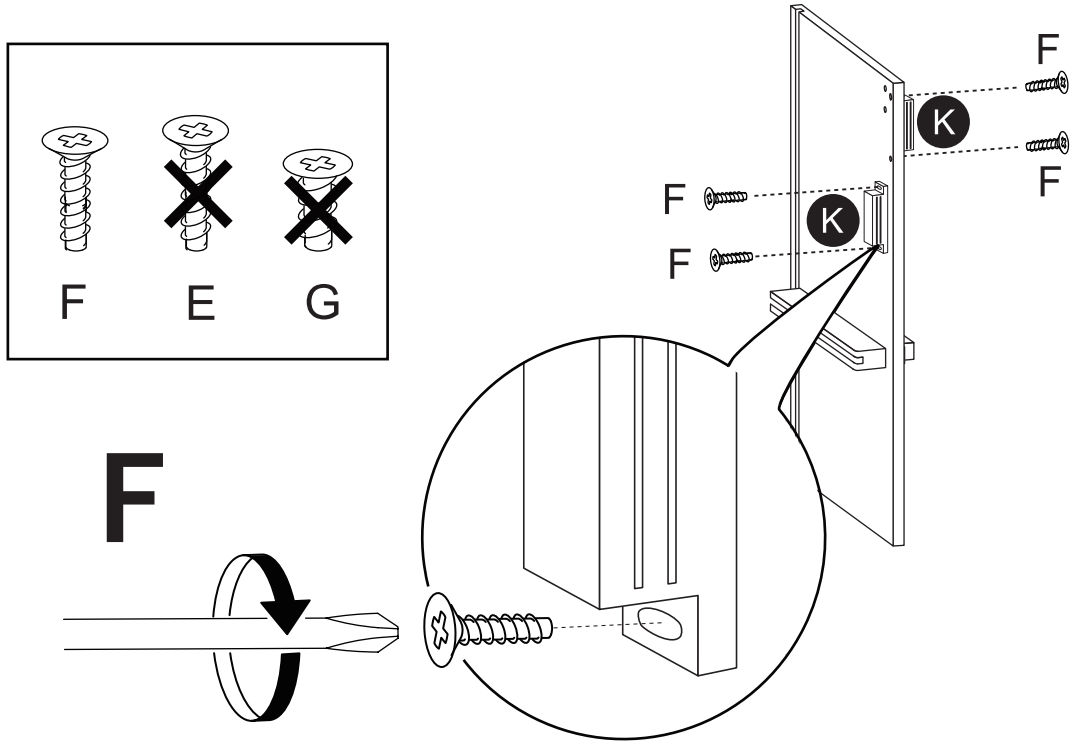
5

Two C screws required



# 6

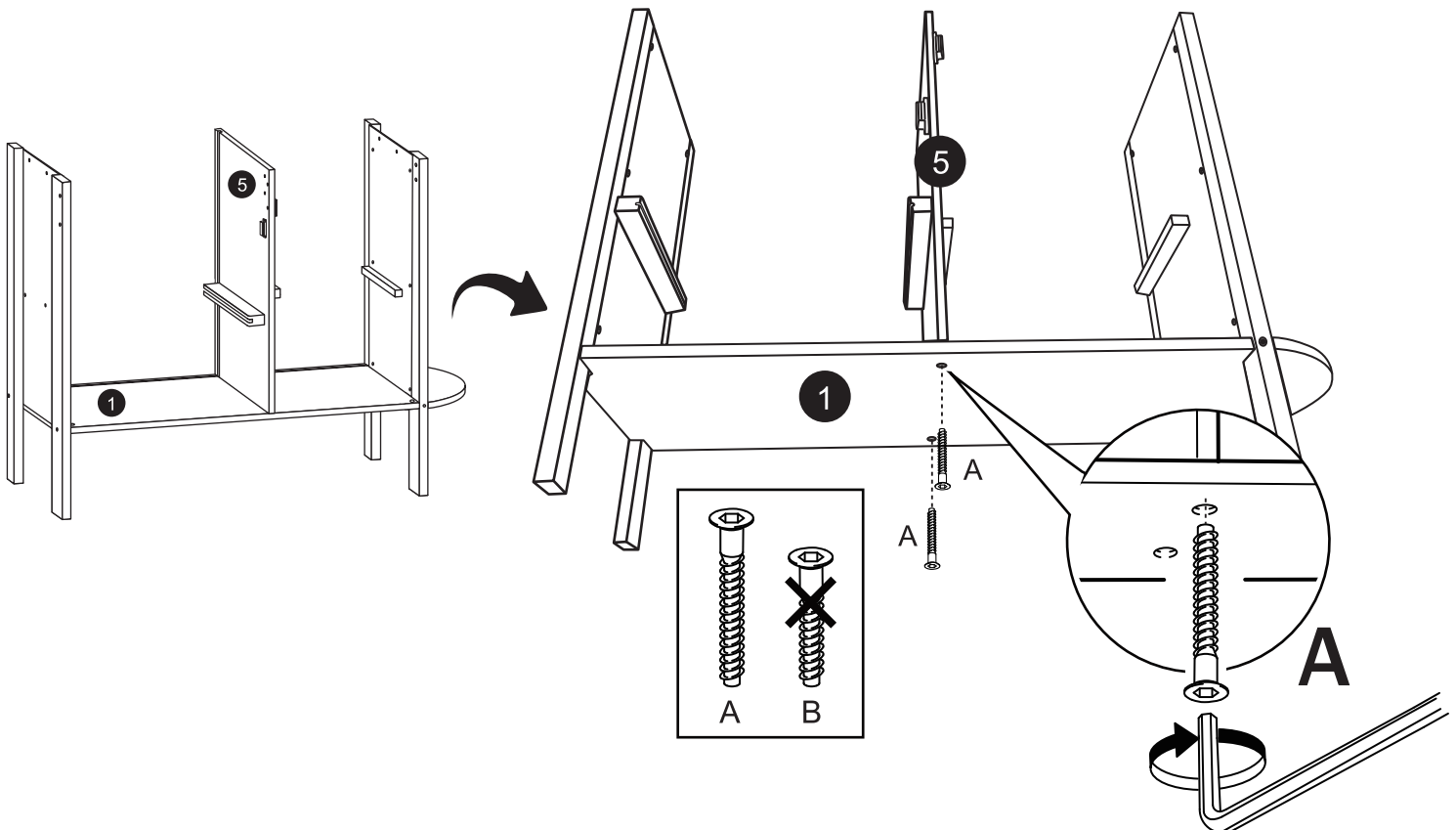
## Four F screws required



# 7

## Two A screws required

⚠ Flip the kitchen to the ground for a better angle to installation.

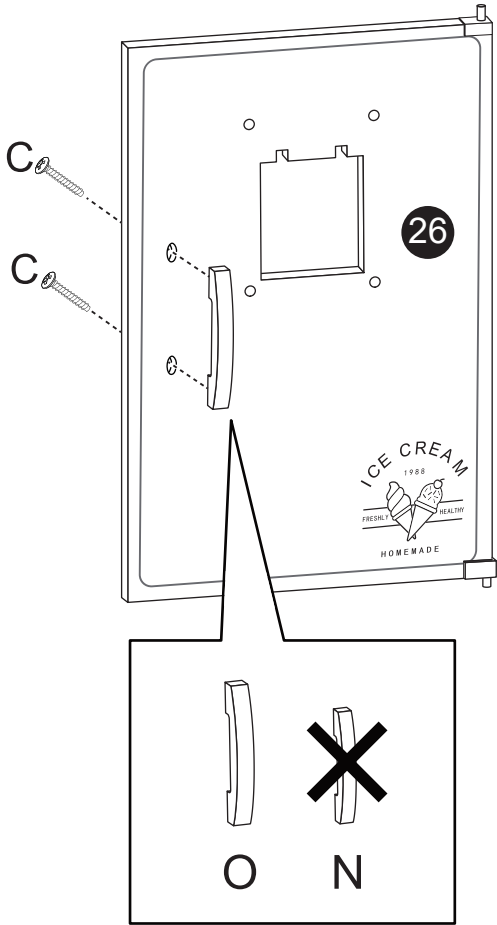






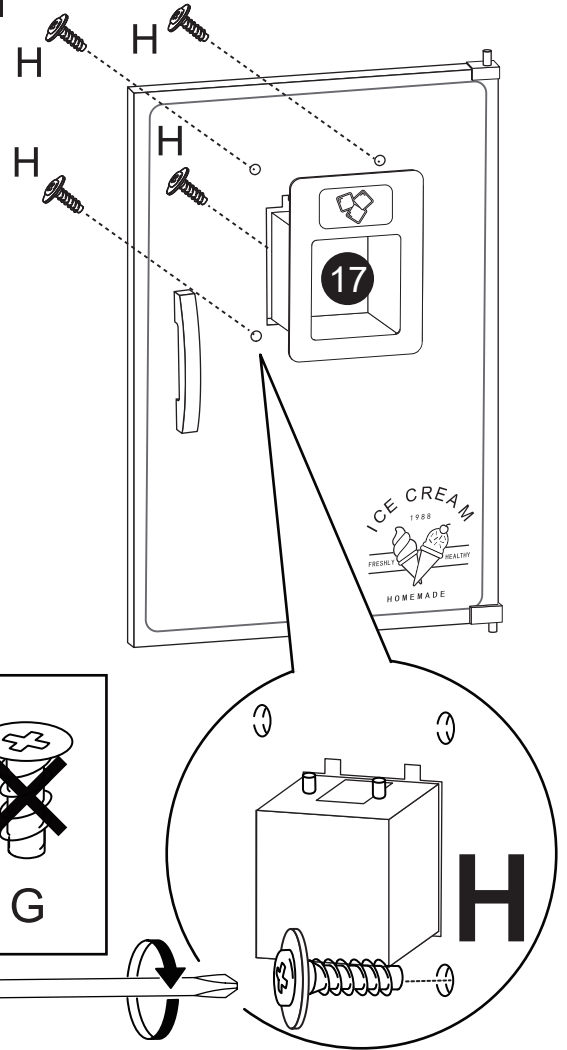
# 10

## Two C screws required



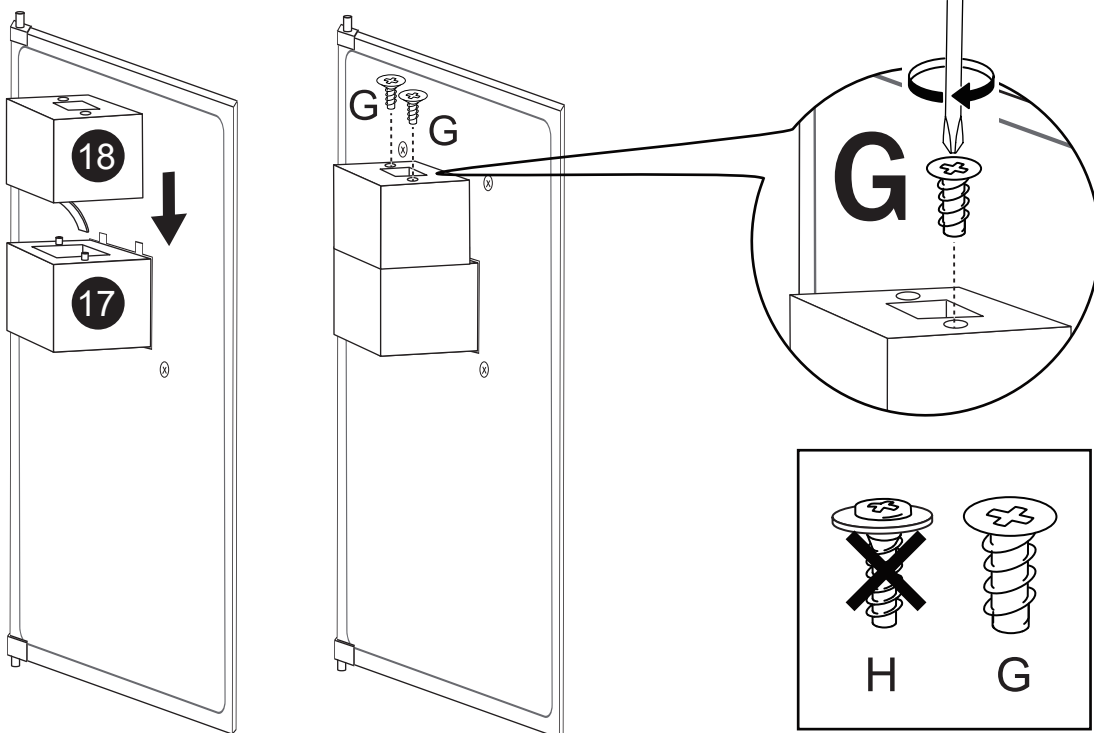
# 11

## Four H screws required



# 12

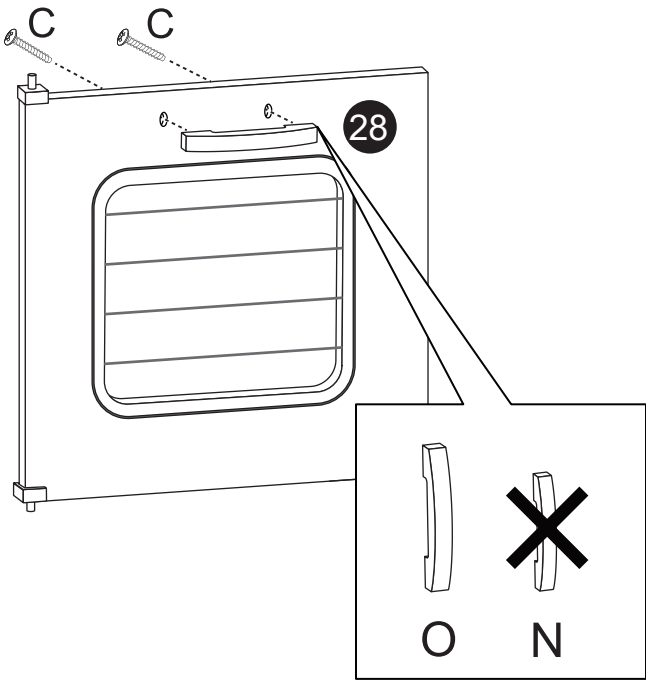
## Two G screws required



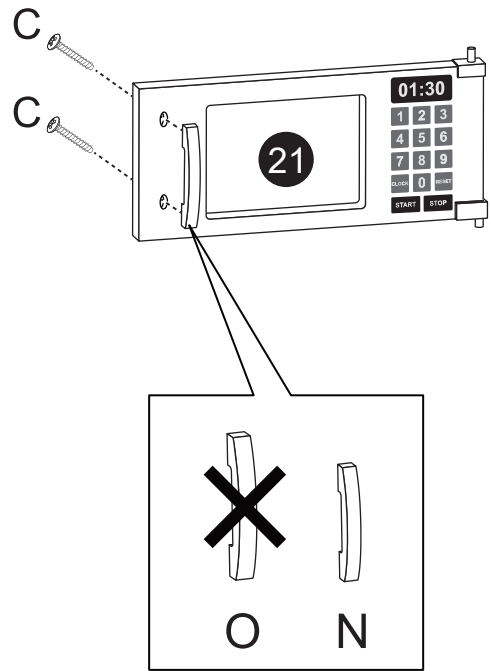
### Refrigerator with ice maker

- Open the refrigerator door and fill the ice maker with 2 ice cubes.
  - Hold and press the measuring cup into the ice maker so that ice cubes fall into it.
- Note: place a maximum of two ice cubes in the ice maker. The third ice cube is a spare.

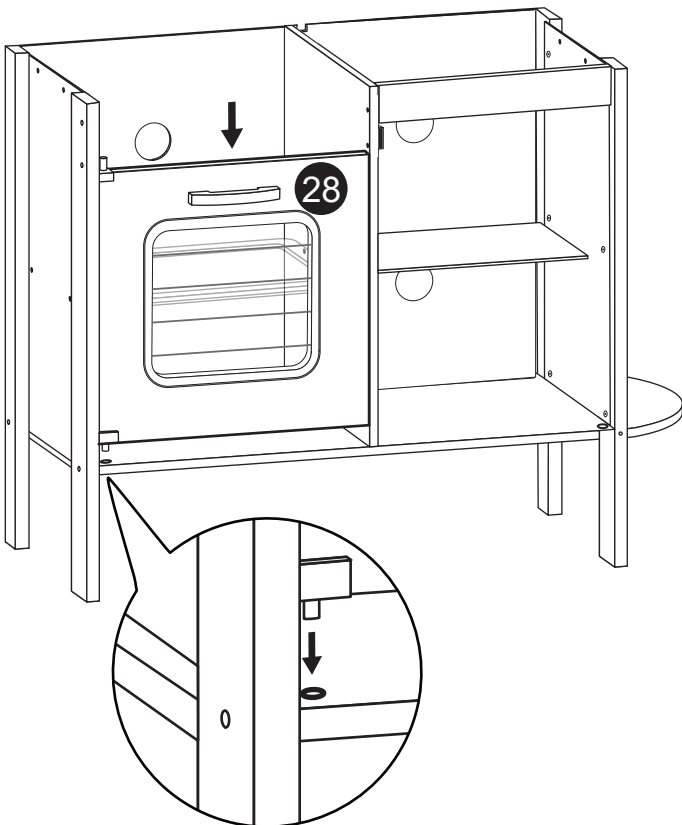
# 13 Two C screws required



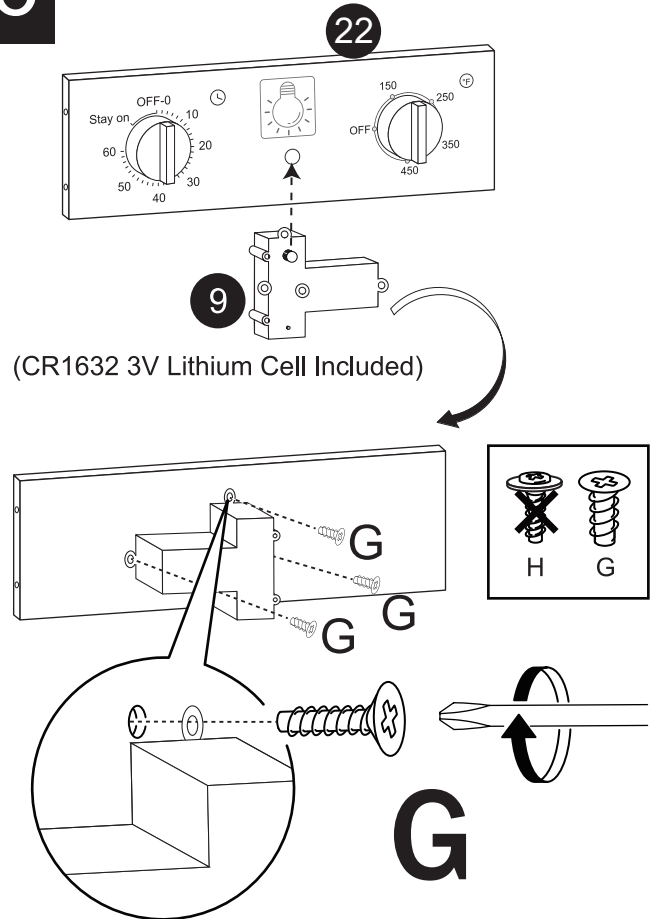
# 14 Two C screws required



# 15



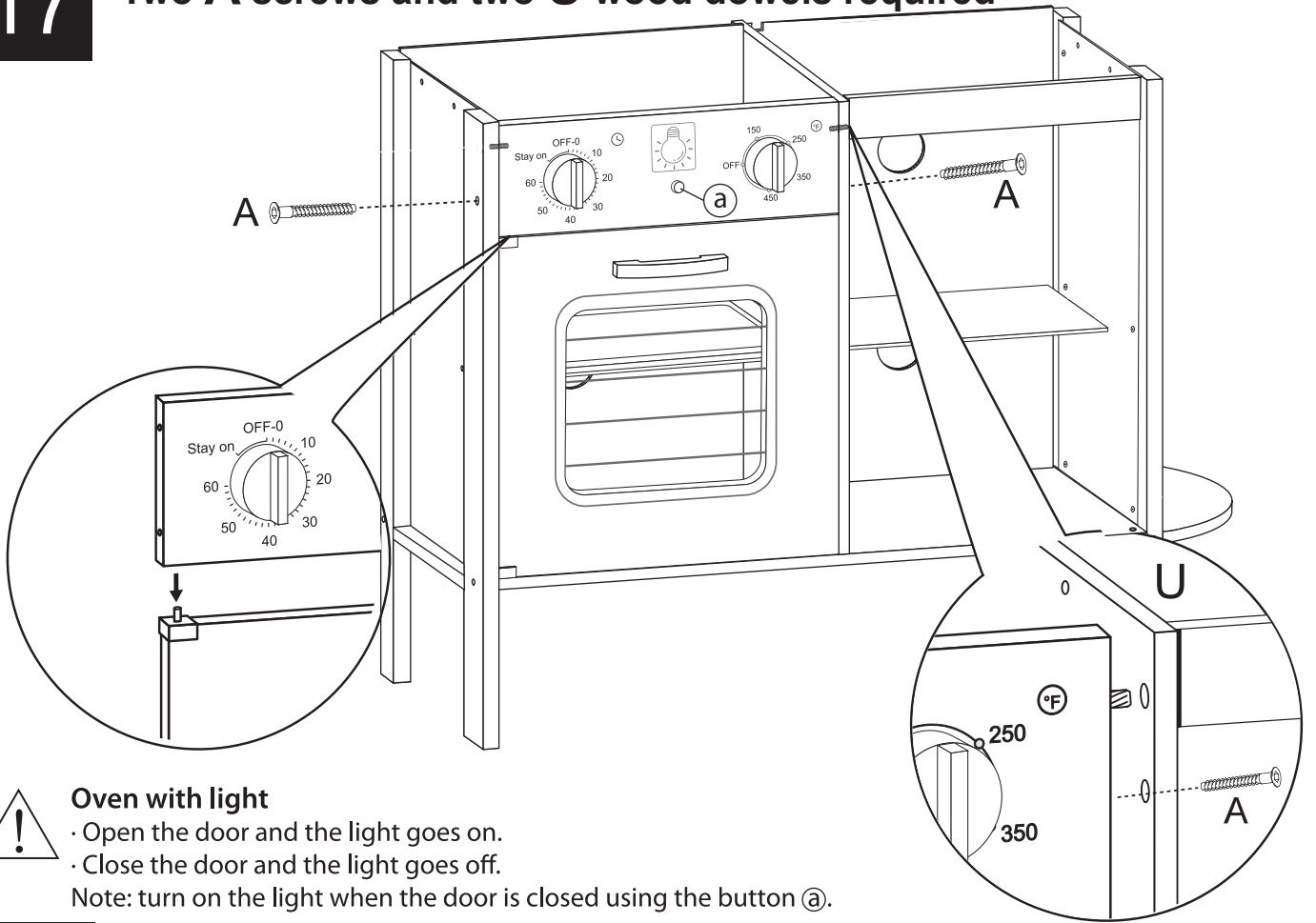
# 16 Three G screws required



 Fully pull the plastic sheet out before first use.

# 17

## Two **A** screws and two **U** wood dowels required

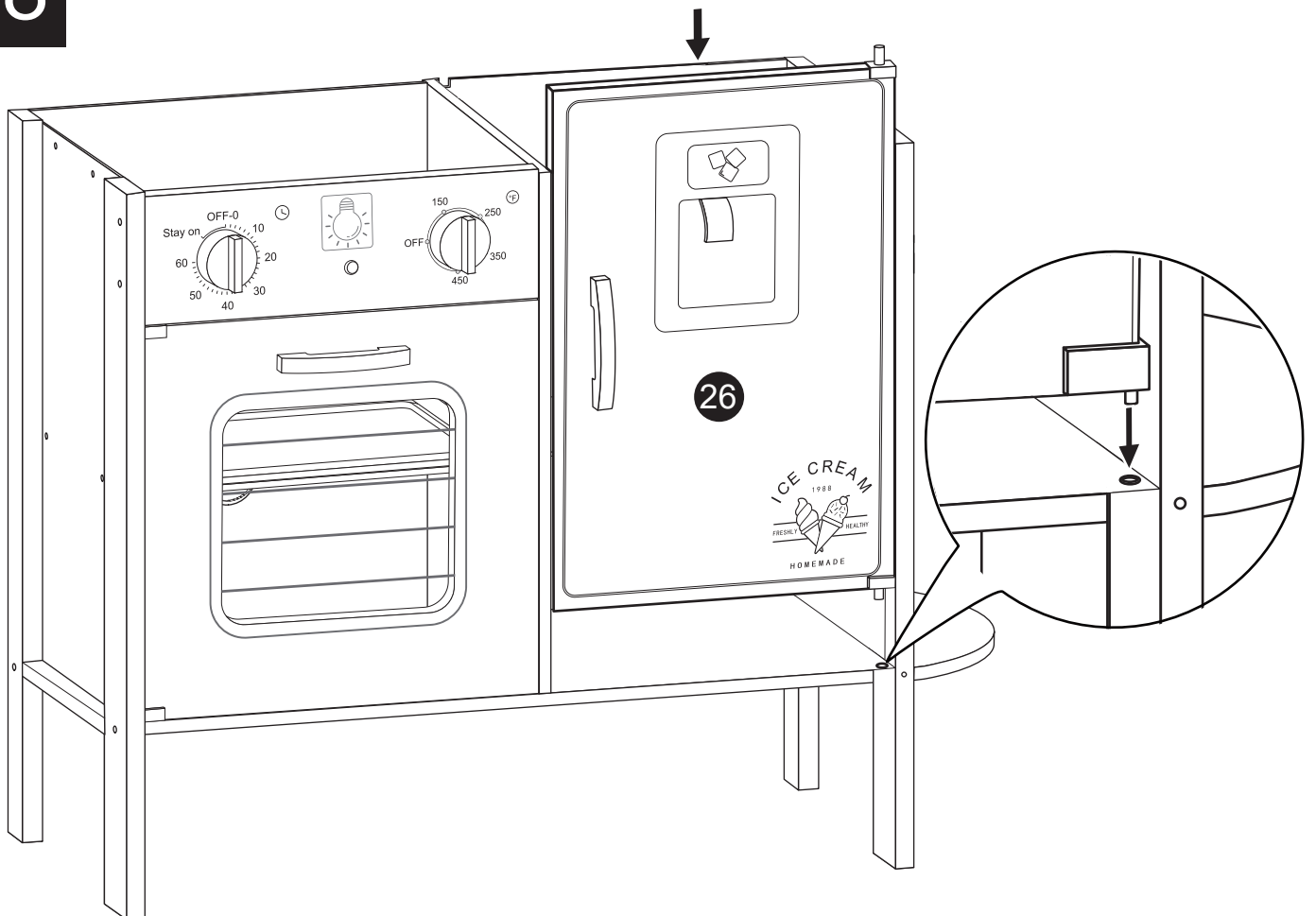


### Oven with light


- Open the door and the light goes on.
- Close the door and the light goes off.

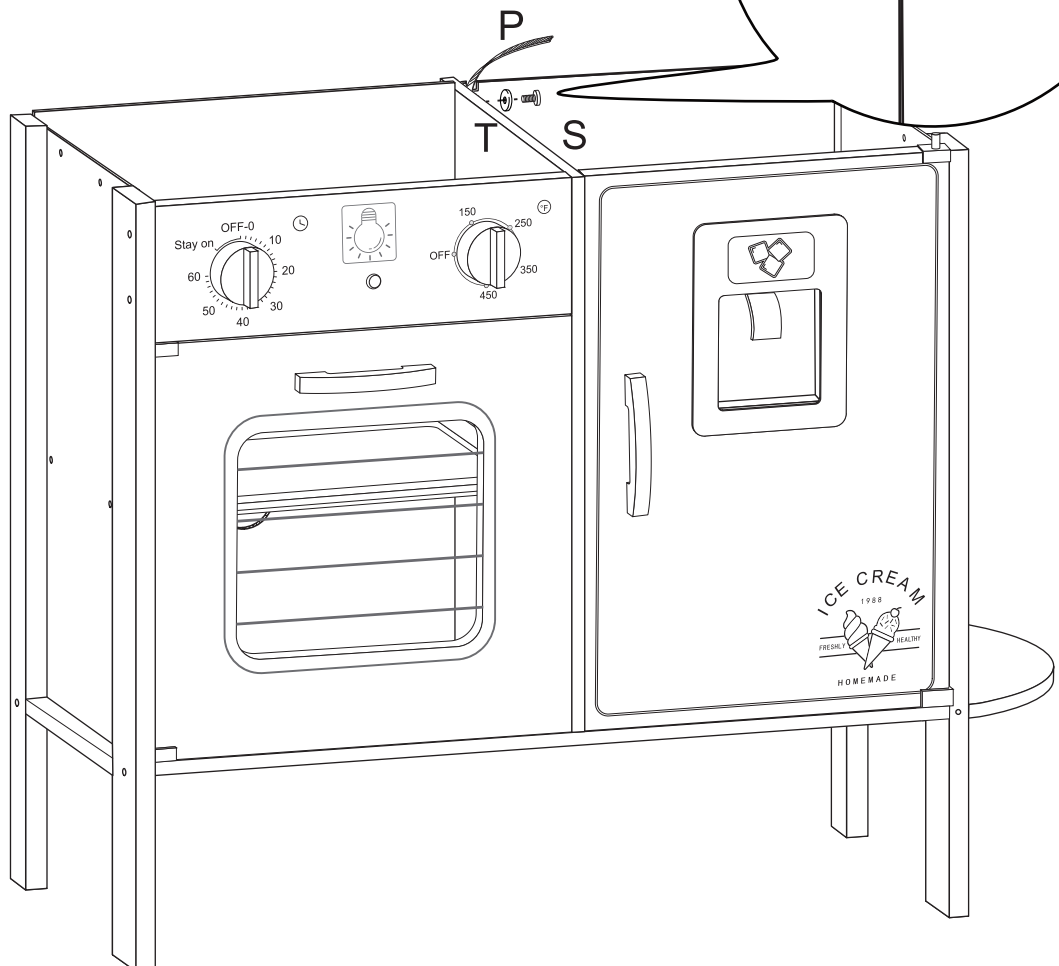
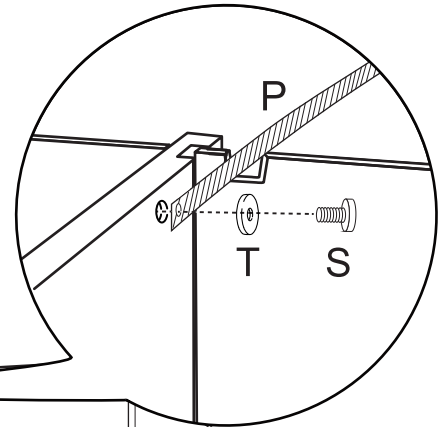
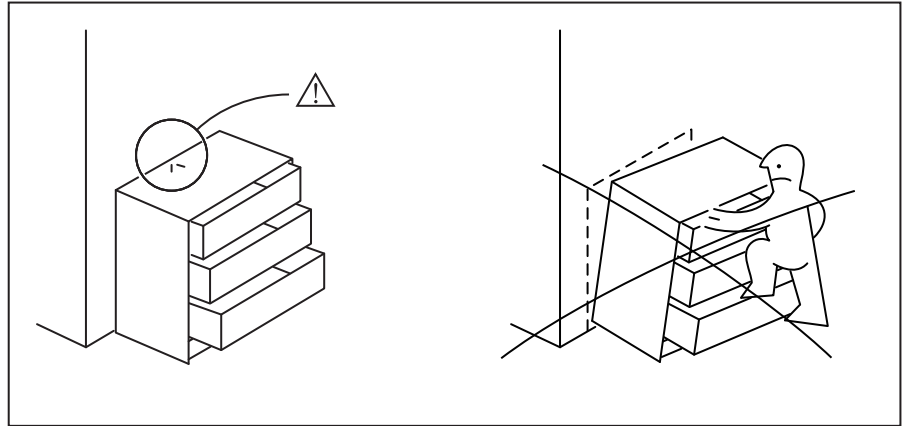
Note: turn on the light when the door is closed using the button @.

# 18



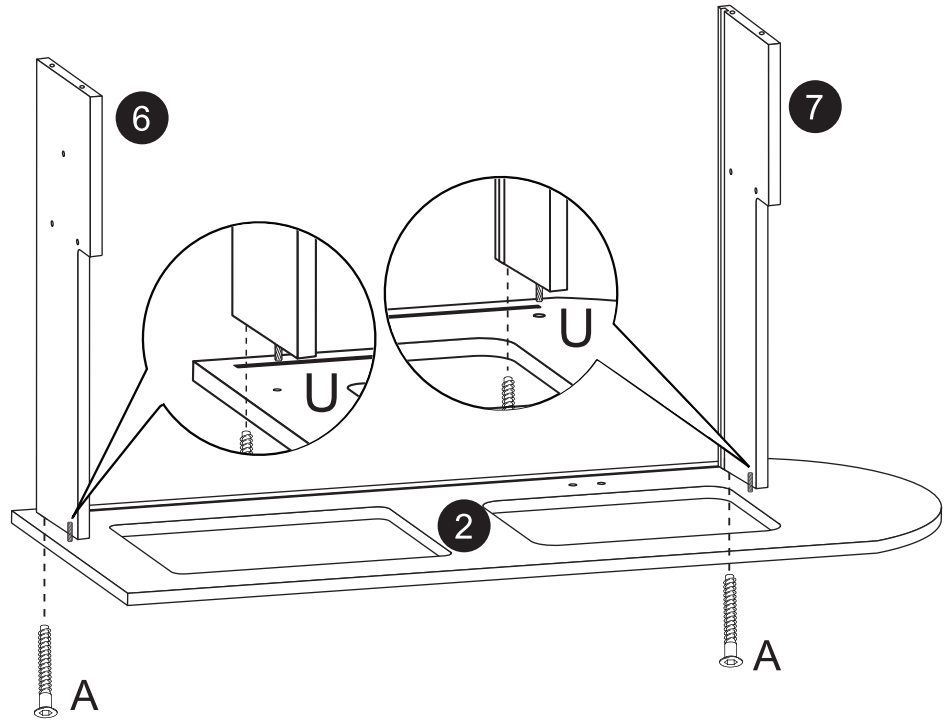
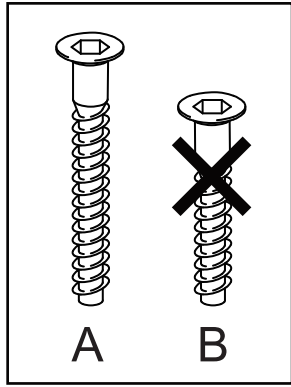


 This safety bracket is designed to fix the furniture to the wall and prevent it from tipping over if a child climbs or hangs on it. The package contains parts of 2 different ways to fix the bracket on the wall. Different wall materials require different types of fixing devices. If you are uncertain about what type of screw or fitting to use, please contact your hardware store.



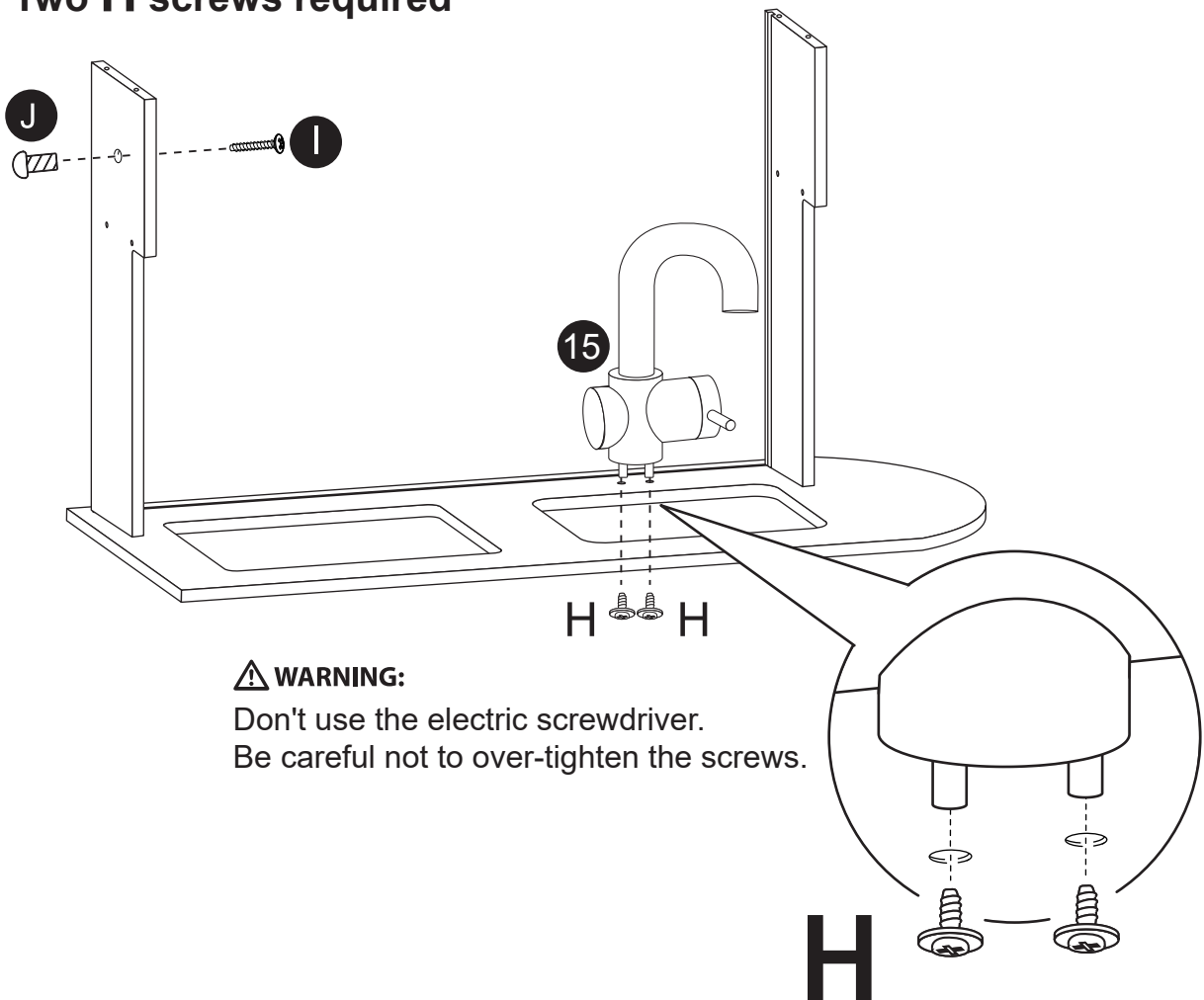
20

Two **A** screws and two **U** wood dowels required

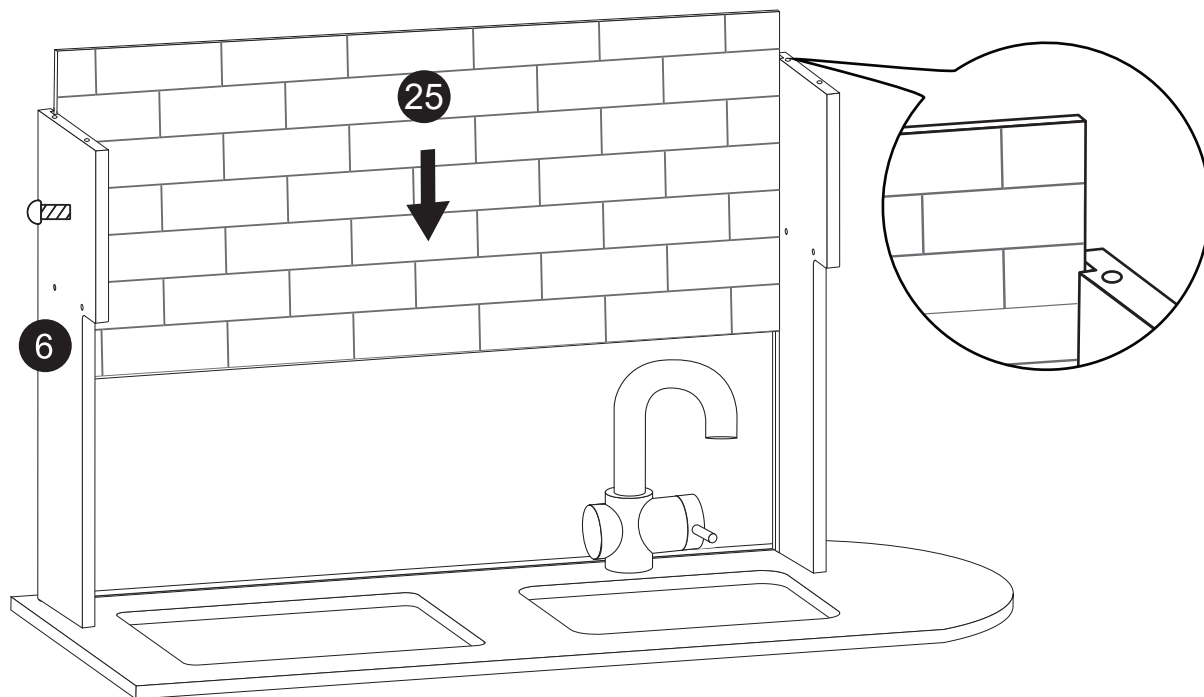


21

Two **H** screws required

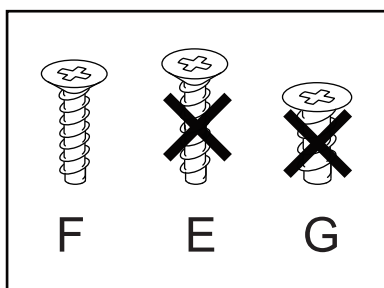
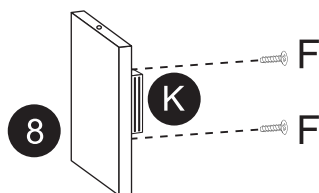


22



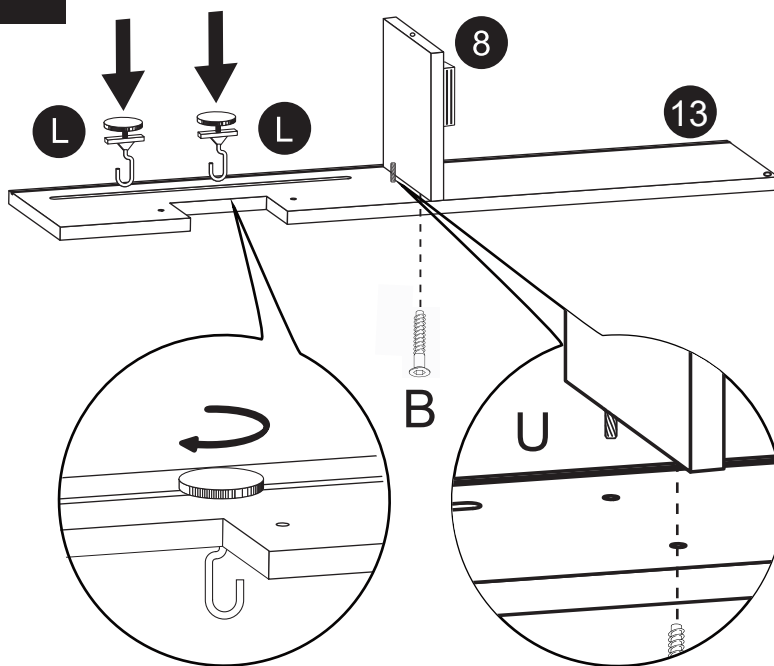
23

Two **F** screws required



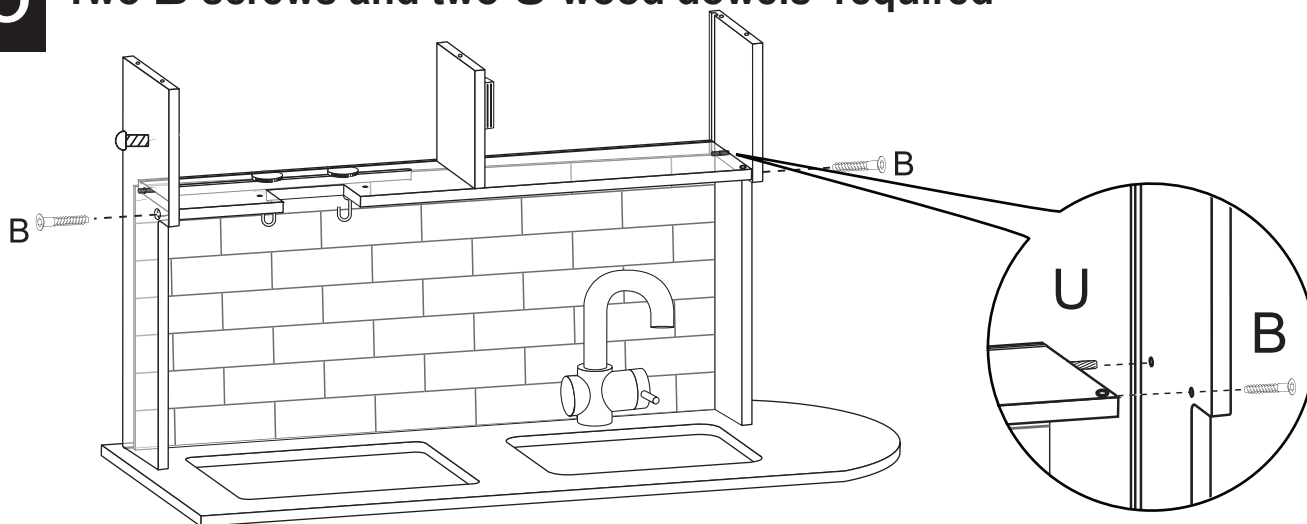
24

**B** screw and **U** dowel required

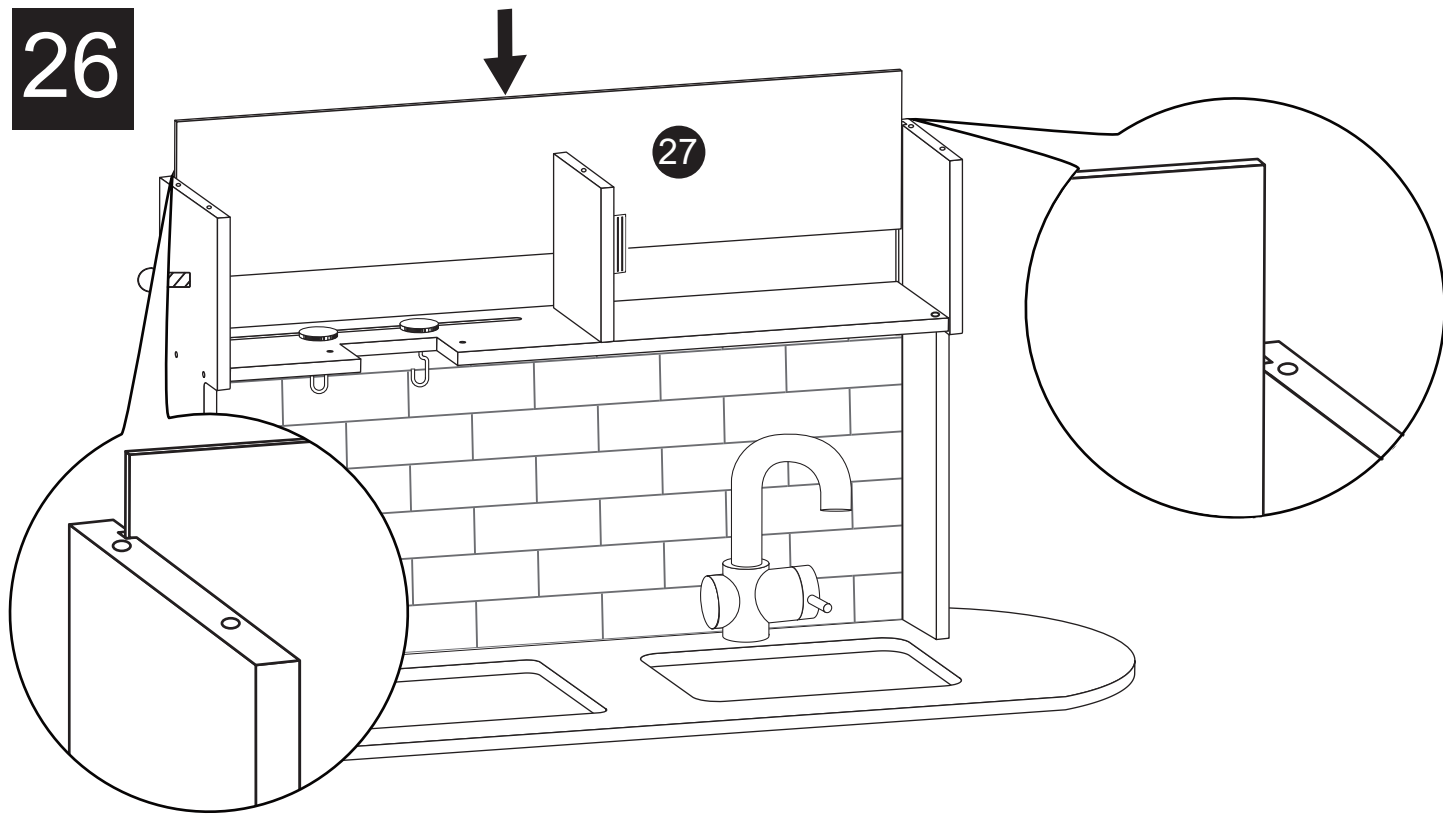


25

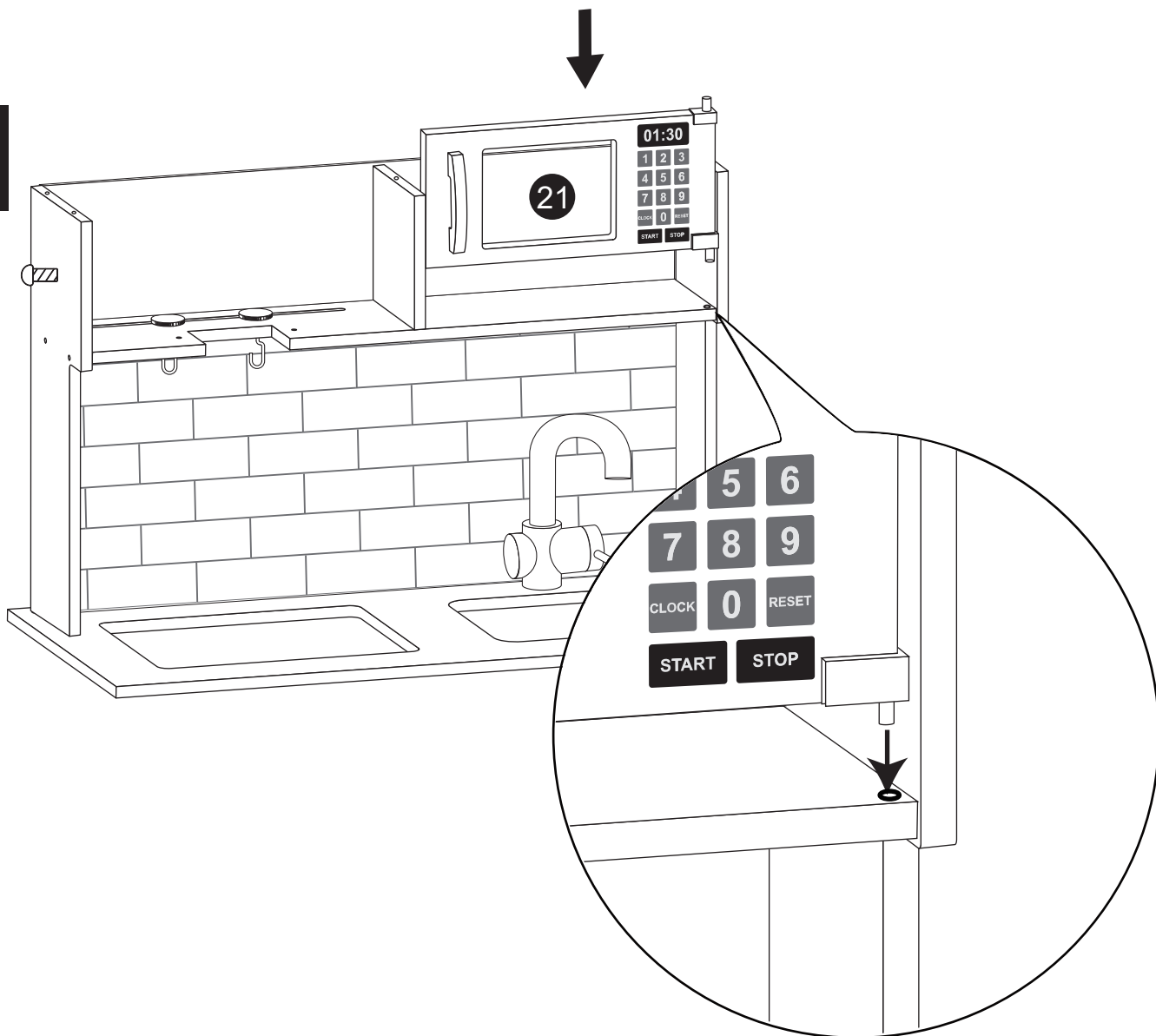
Two **B** screws and two **U** wood dowels required

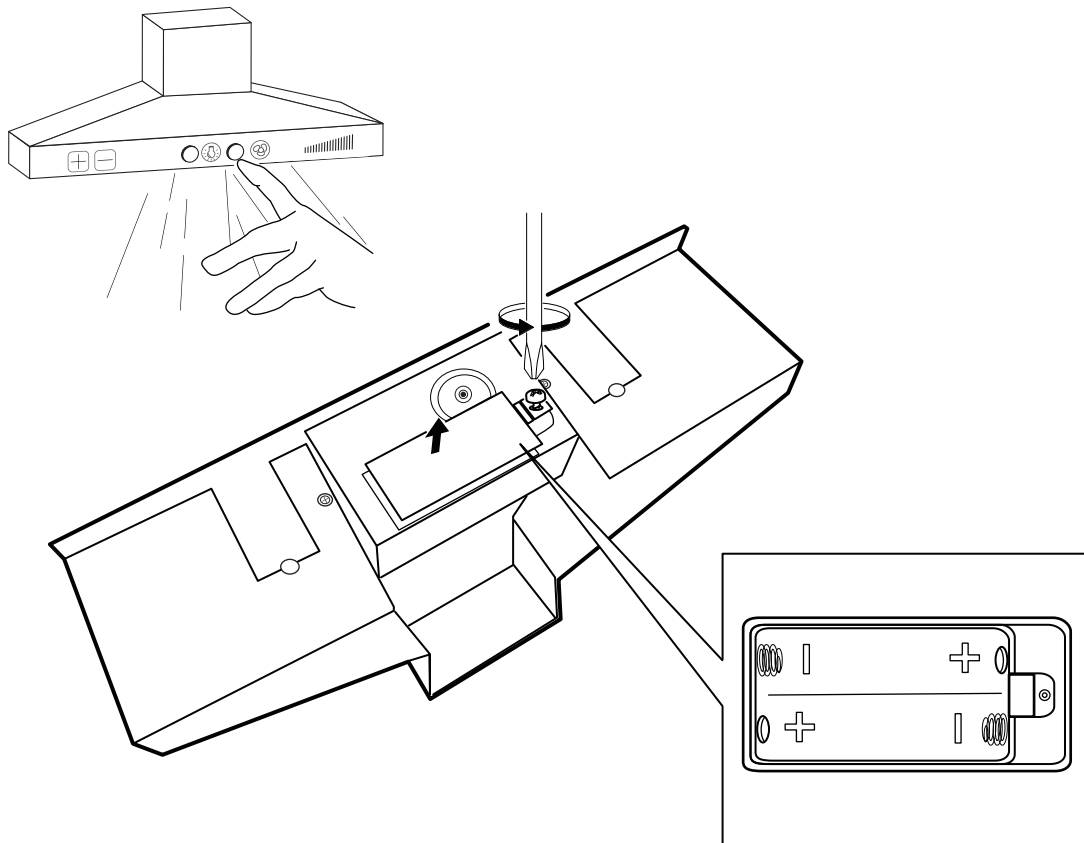


26



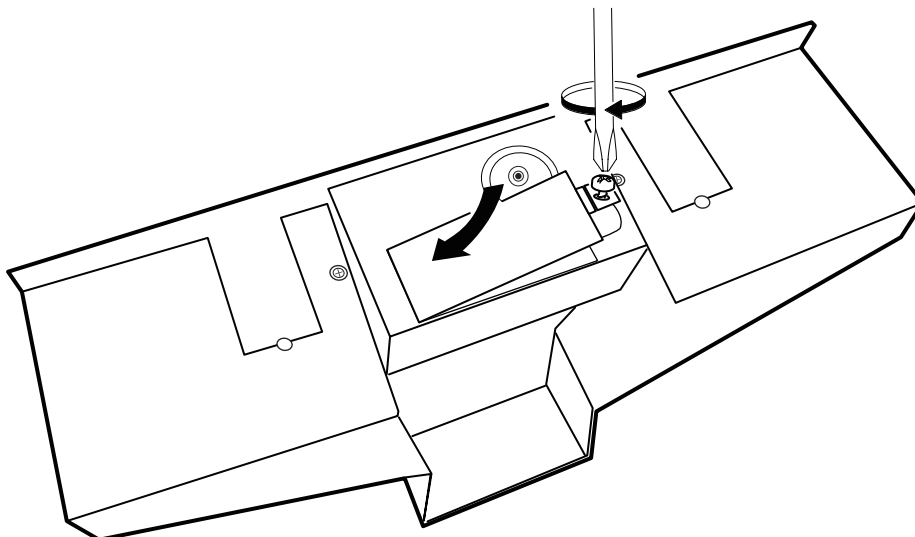
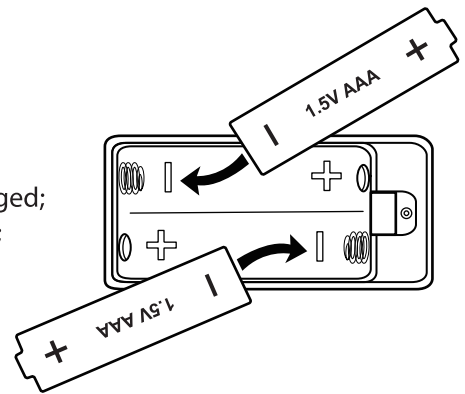
27





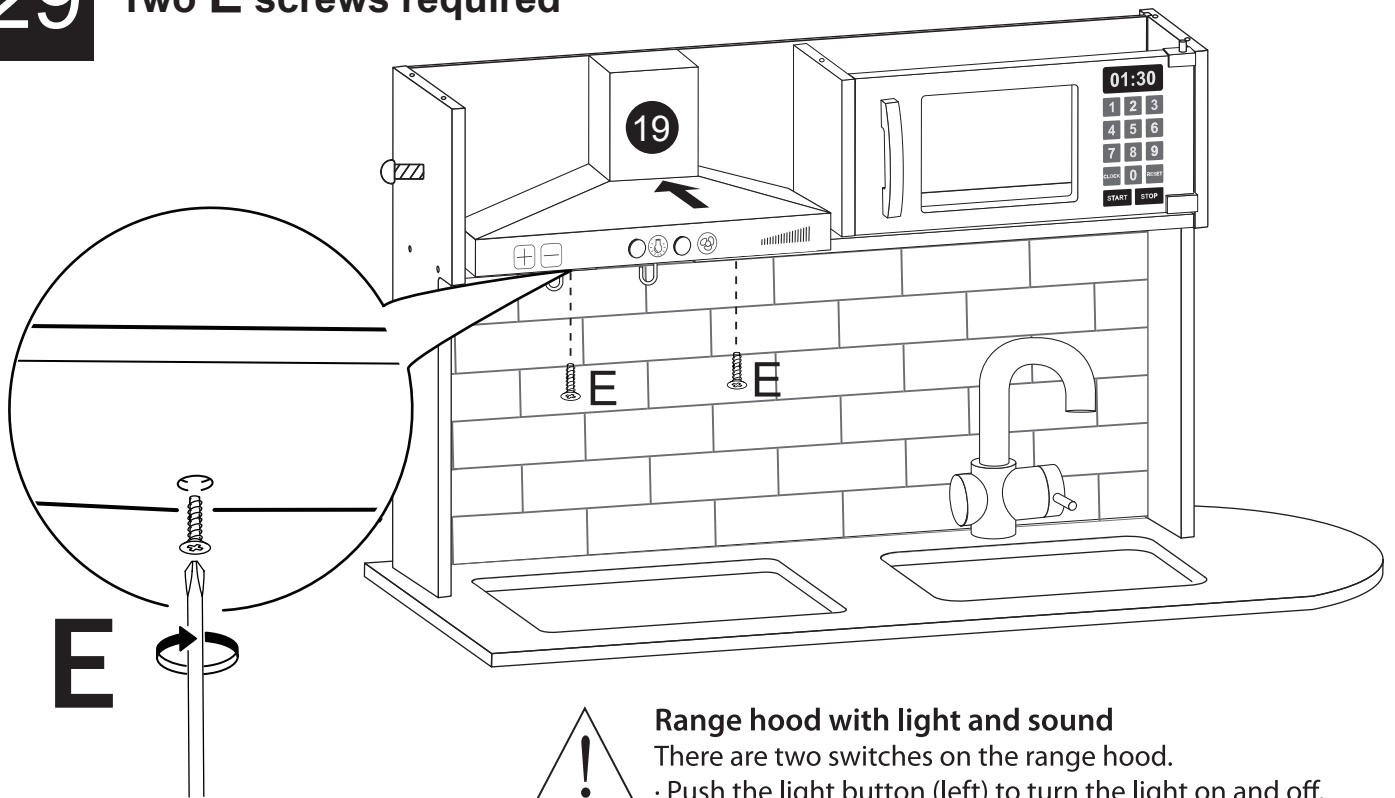
**⚠ WARNING:**

- 2 × 1.5V AAA Battery
- Non-rechargeable batteries are not to be recharged;
- Rechargeable batteries are only to be charged under adult supervision;
- Rechargeable batteries are to be removed from the toy before being charged;
- Different types of batteries or new and used batteries are not to be mixed;
- Batteries are to be inserted with the correct polarity;
- Exhausted batteries are to be removed from the toy;
- The supply terminals are not to be short-circuited.





## 29 Two E screws required



### Range hood with light and sound

There are two switches on the range hood.

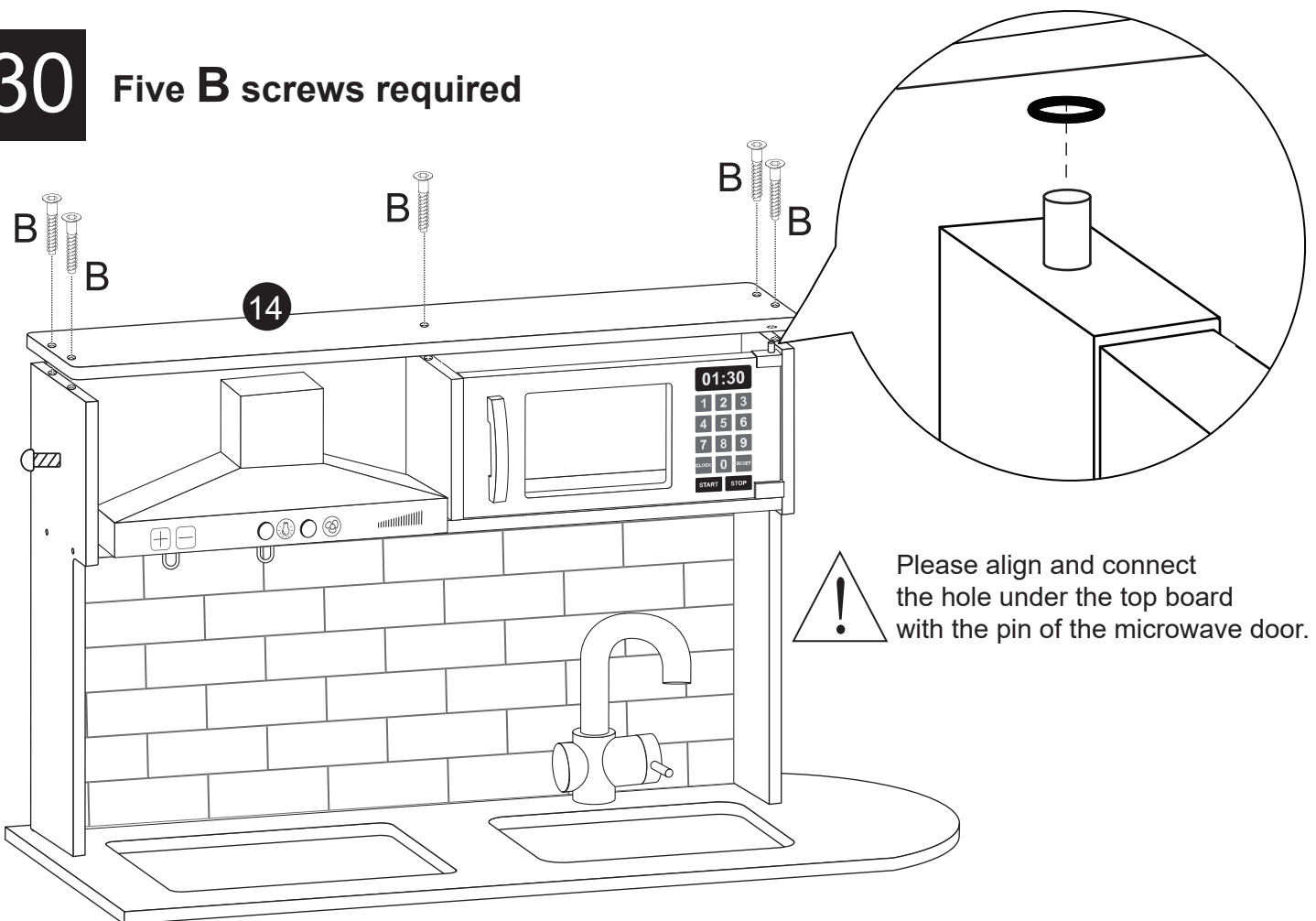
· Push the light button (left) to turn the light on and off.

Note: the light turns itself off automatically after 3 minutes.

· Push the sound button (right) to turn the sound on.

Note: the sound turns itself off automatically after 15 seconds.

## 30 Five B screws required



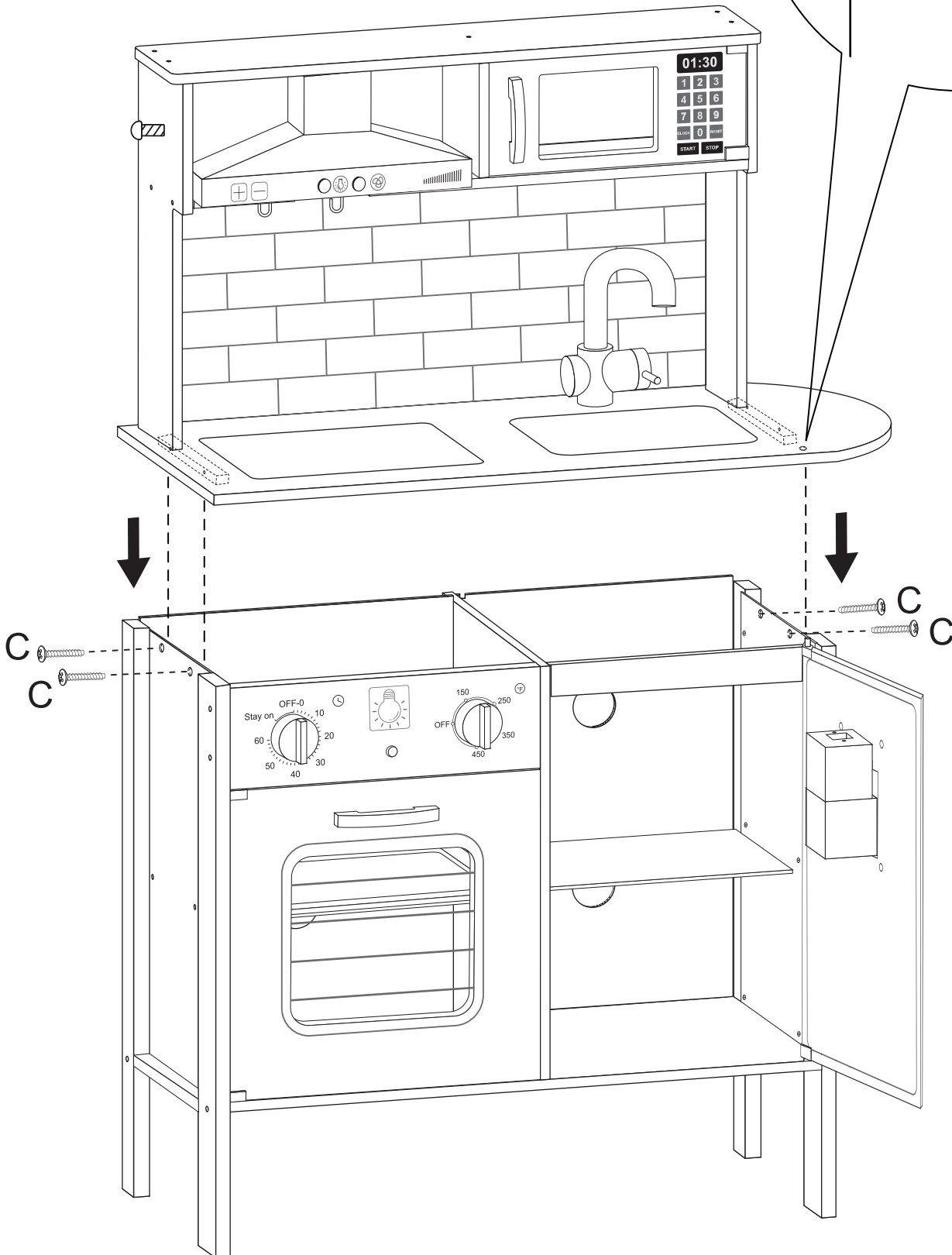
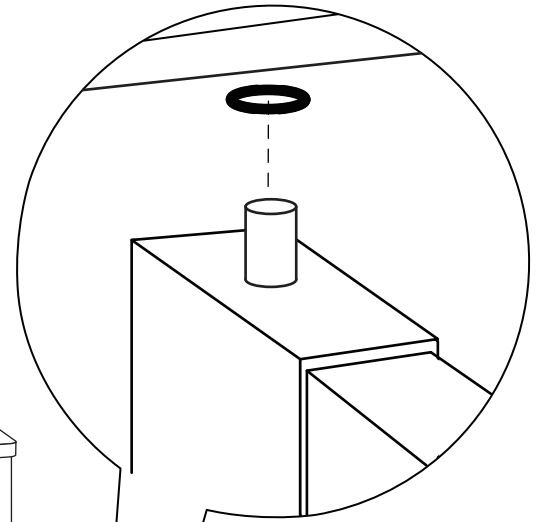
Please align and connect the hole under the top board with the pin of the microwave door.

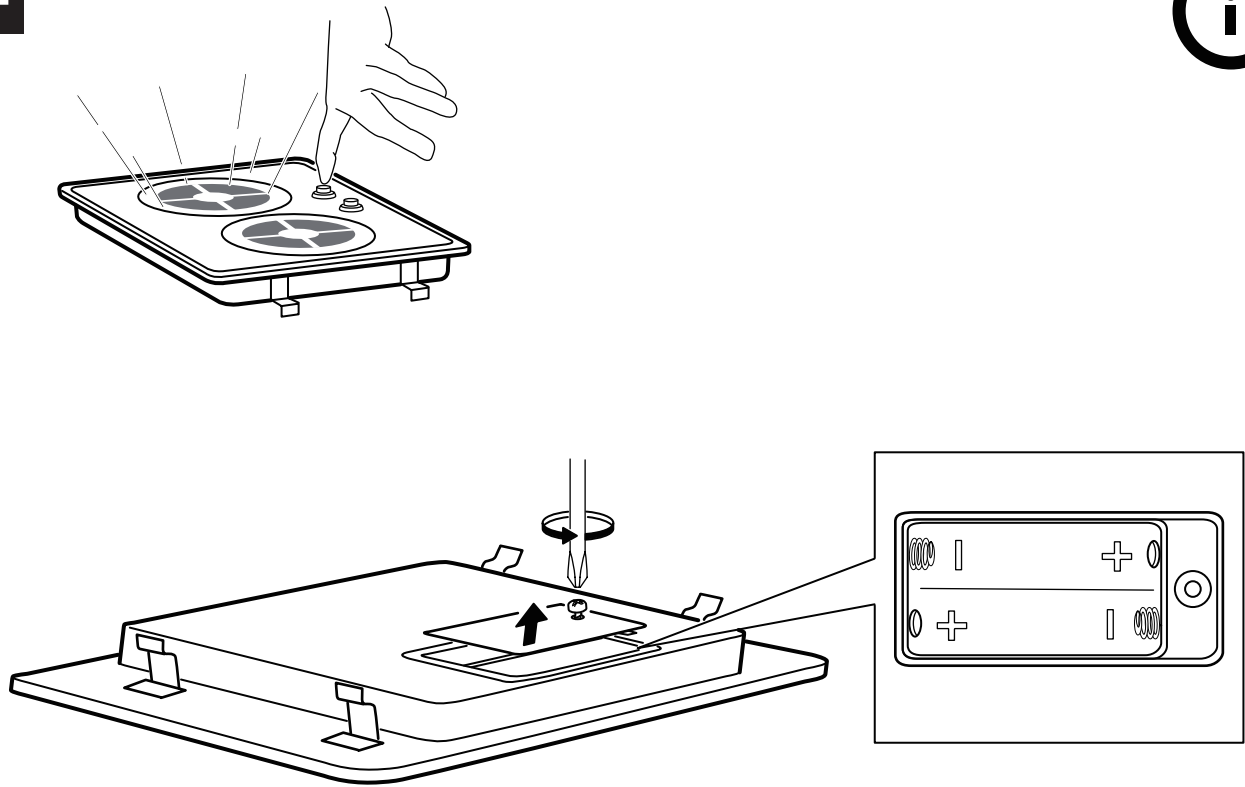
# 31

## Four C screws required



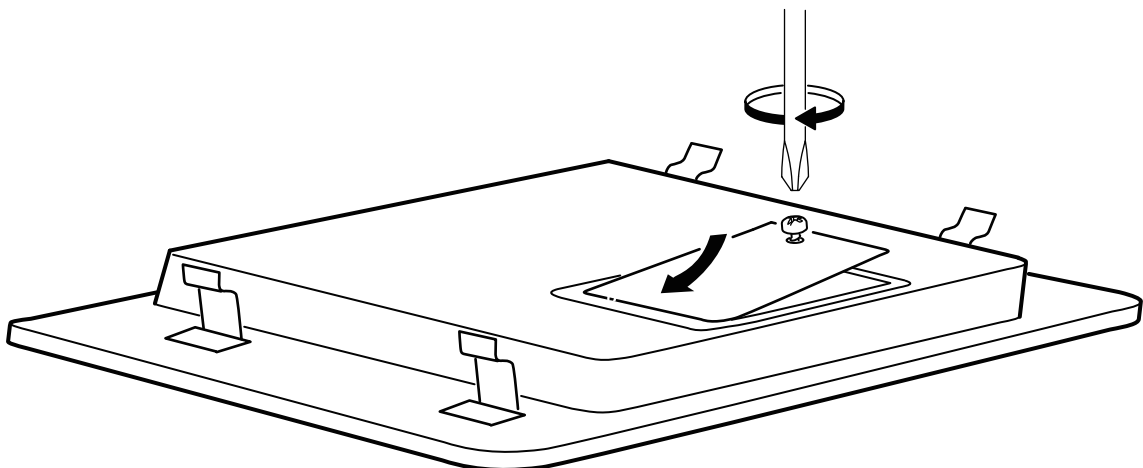
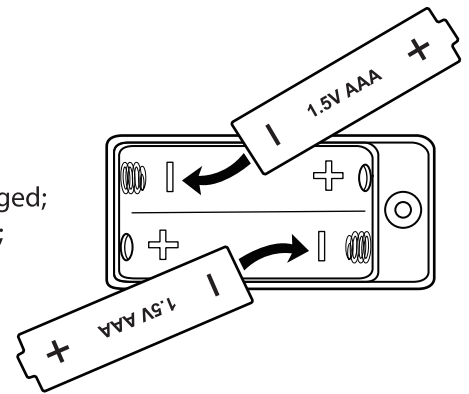
Please align and connect the hole under the working surface with the pin of the refrigerator door.

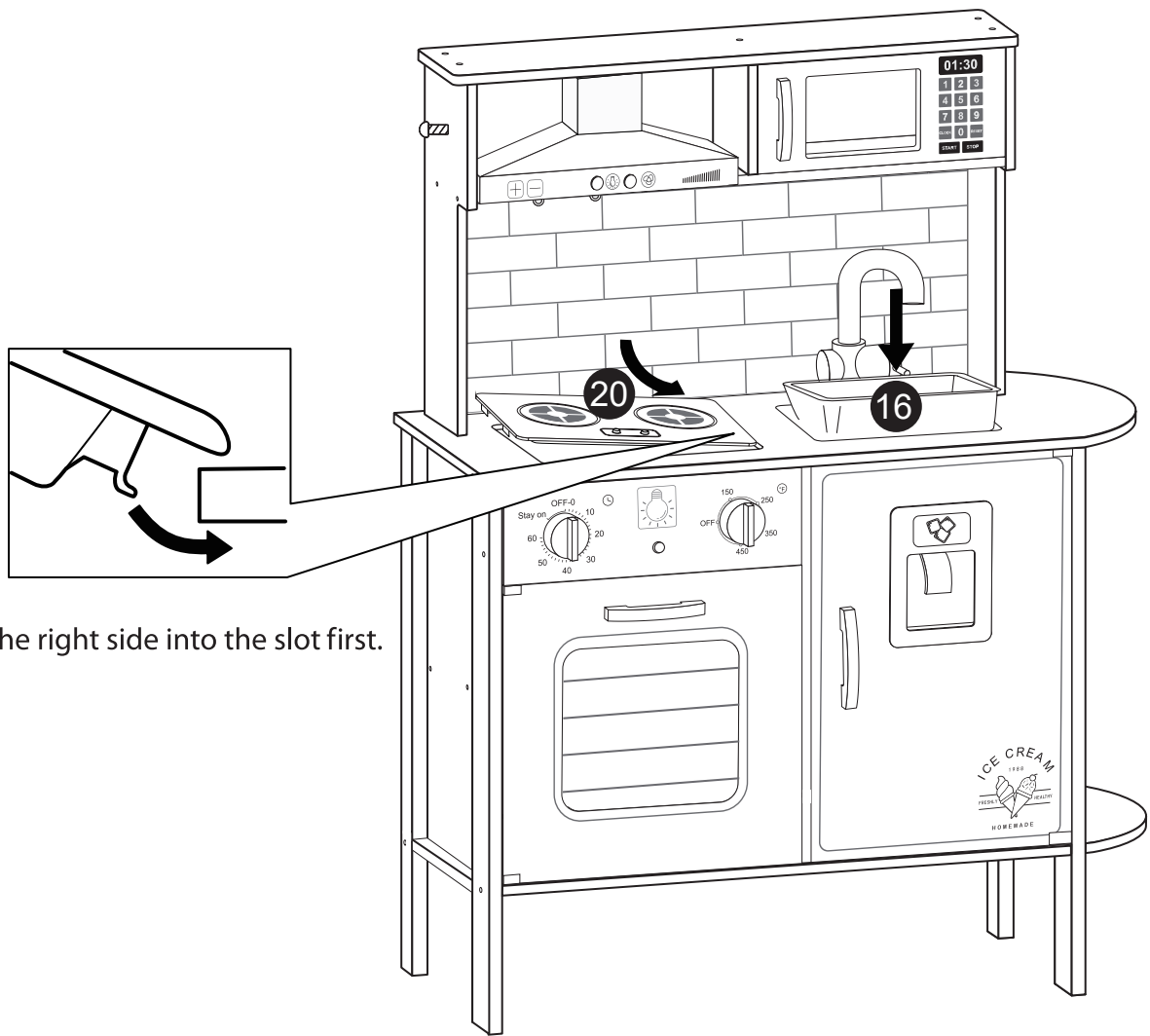




**⚠ WARNING:**

- 2 × 1.5V AAA Battery
- Non-rechargeable batteries are not to be recharged;
- Rechargeable batteries are only to be charged under adult supervision;
- Rechargeable batteries are to be removed from the toy before being charged;
- Different types of batteries or new and used batteries are not to be mixed;
- Batteries are to be inserted with the correct polarity;
- Exhausted batteries are to be removed from the toy;
- The supply terminals are not to be short-circuited.

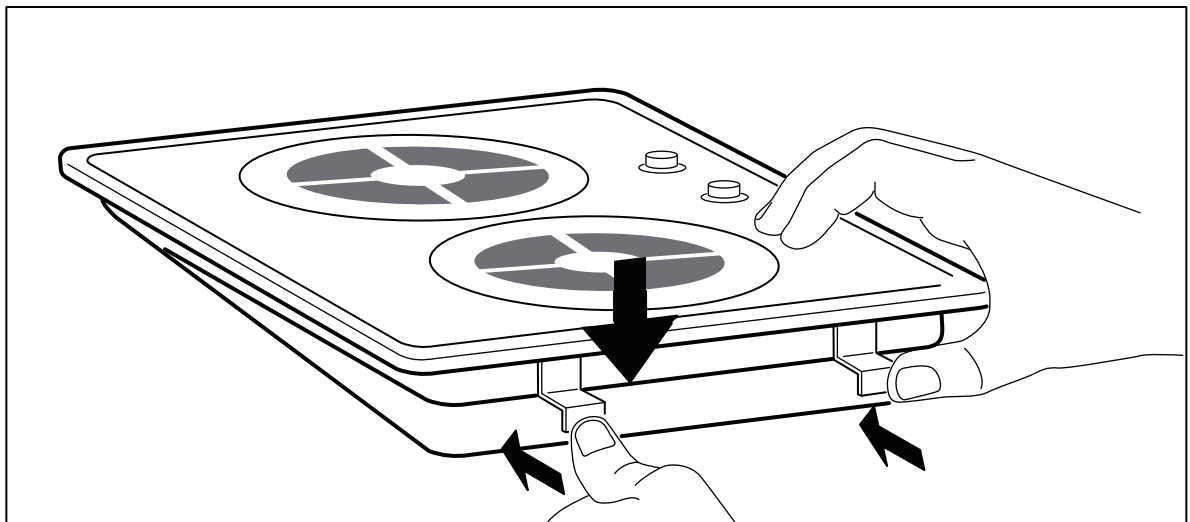




Put the right side into the slot first.

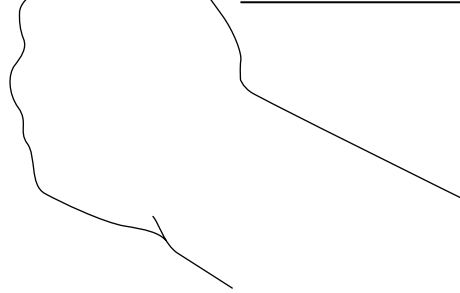


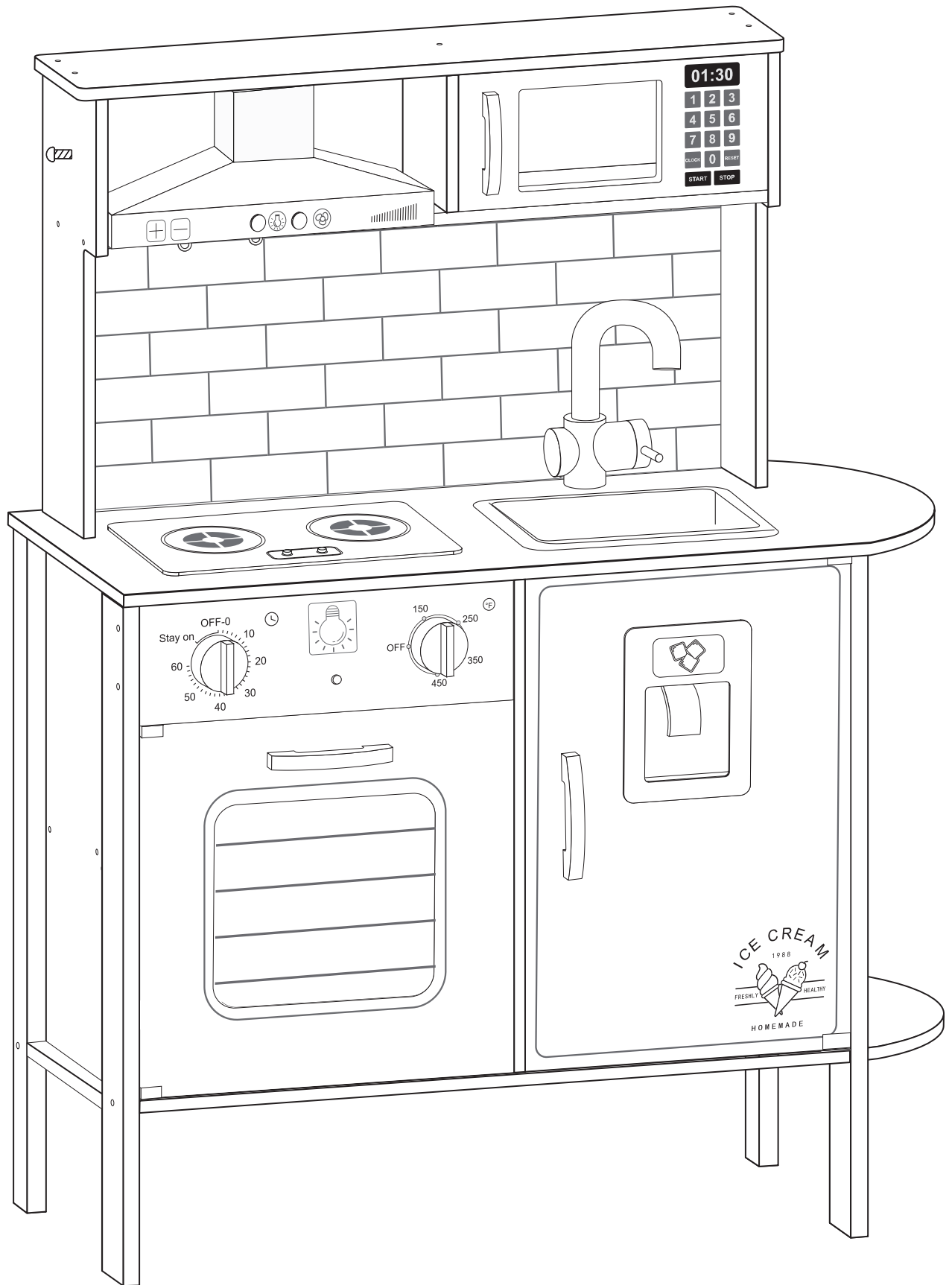
Squeeze the snap on the left side and push it down into the slot.



### Turning the stove elements on and off

There are two buttons on the cooktop. Press the left or right button to turn the light of the respective stove element on and off, as well as the sound. Note: the light and sound turns itself off automatically after 6 seconds.

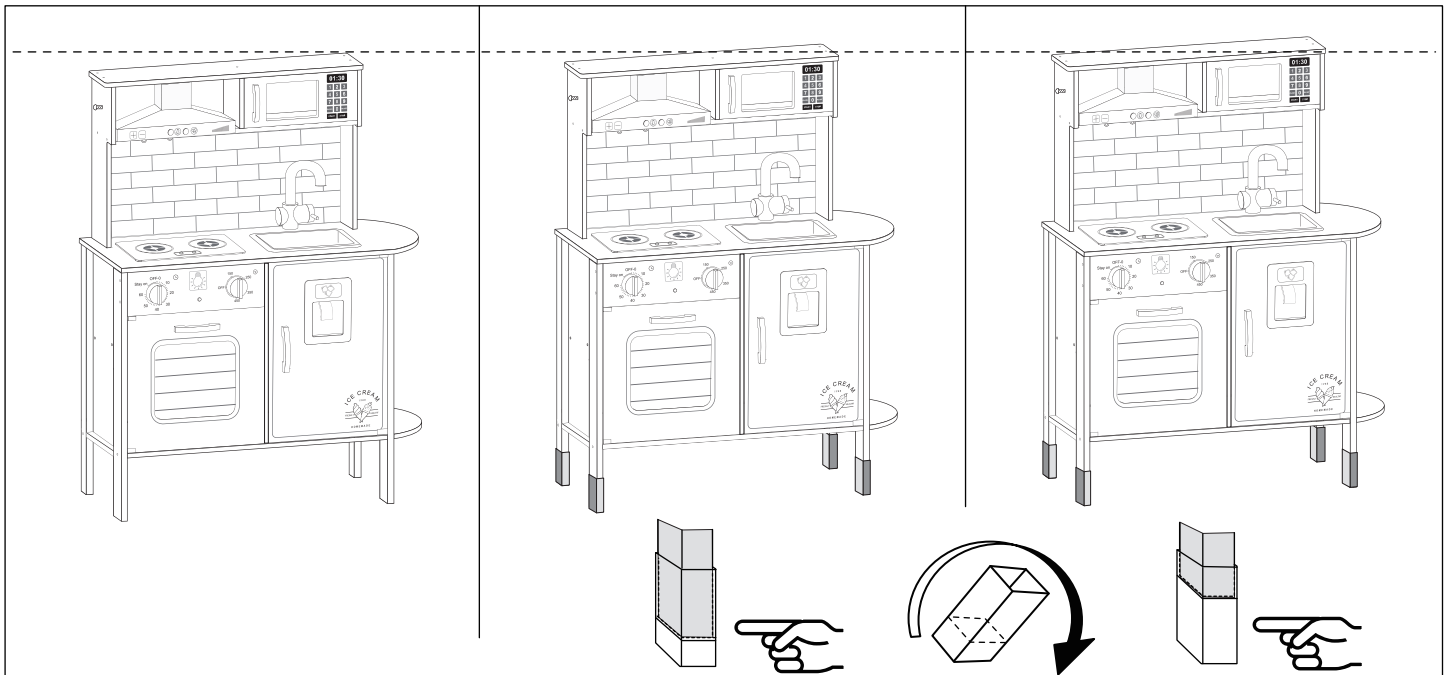
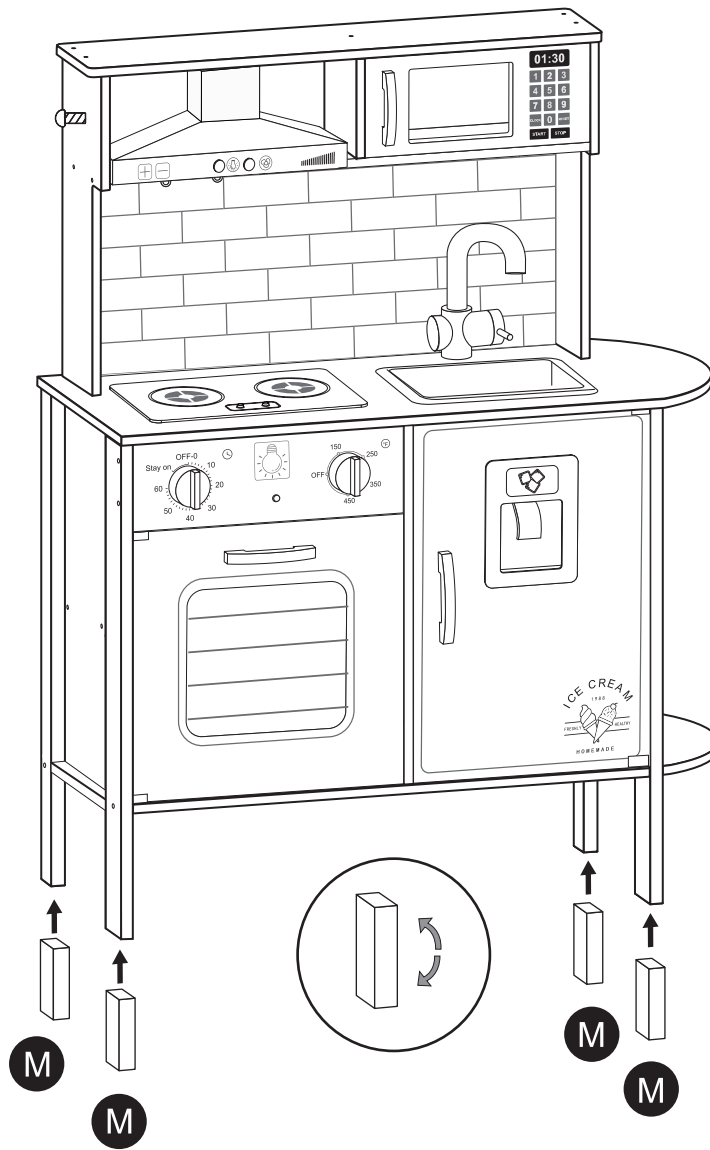




### Storage, cleaning

When not in use, always store the product dry, clean, without batteries, and at room temperature. Wipe clean with a dry cloth only.

**IMPORTANT!** Never clean the product with harsh cleaning agents. Wash the apron, hat on a gentle wash cycle. Wash only with similar colors.



### Setting the height

- The product can be set at three different heights. The foot(M) have varying heights.  
 The product can be raised, depending on which side you put the foot onto the legs of the product.
- Without foot sleeve, the product is 38.5 inches(97 cm) high.
  - With the foot sleeve, the product is adjustable to 40 inches(101 cm) and 40.7 inches(103 cm).

# Warranty Information

Please retain your order ID for purchase proof.

Registration your purchase on (<https://www.tinylandus.com/pages/warranty>) to active 1 year warranty.

## IMPORTANT INFORMATION - PLEASE READ FIRST

All of our wooden items are handcrafted, hand assembled, and hand painted. Each one is unique.

Slight imperfections may occur and are not manufacturing defects.

Please note that our warranty does not cover the use of permanent markers, non-water-based paints, crayons, washable markers, or other implements that damage the product.

Note also that some of these agents contain color dyes that could permanently damage the product surface.

## CLEANING INFORMATION

Do not use any cleaning product containing alcohol or ammonia. These will dull the shiny surface of the product.

Furniture polish will also work to clean and dust off the surface.

We recommend that you test all cleaning materials on the underside of any surface that would not be seen during normal use of the product.

If you have any questions concerning the care or maintenance of this product, please feel free to contact us immediately.

## SOLE AND LIMITED WARRANTY FOR PURCHASES IN THE UNITED STATES

This item is warranted solely against manufacturing defects for a period of 1 year from the date of purchase, which runs only to the original order date of the item.

In the event of a manufacturing defect, parts will be replaced, or the entire product will be replaced, at the election of the manufacturer.

To activate and protect this warranty, preserve proof of original purchase and carefully inspect the condition of the item prior to and after assembly, looking for missing, degraded, broken or hazardous parts, including parts which can be swallowed by a child, cause a child to choke, or otherwise cause injury.

Such parts may include fasteners and connectors. Should you observe any defects, do not use the item and immediately notify the manufacturer. Failure to do so shall constitute misuse.

Misuse, improper assembly, failure to honor a warning, failure to supervise, inspect or maintain the item, or damage to the item, whether intentional or inadvertent, shall invalidate this warranty. This warranty gives you specific legal rights, and you may also have other rights which vary from state to state.

## FOR PURCHASES OUTSIDE THE UNITED STATES

Some nations may not permit the limitation of available damages or the limitation of time in which a warranty lasts, or other limitations or exclusions, so the above limitations or exclusions may not apply to you.

This warranty gives you specific legal rights and you may also have other non-waivable rights under Applicable law or directives, which this warranty does not affect or limit in any way.

## FOR PURCHASES IN AUSTRALIA

Our goods come with guarantees that cannot be excluded under the Australian consumer law.


You are entitled to a replacement or a refund for a major failure and for compensation for any other reasonably foreseeable loss or damage.


You are also entitled to have the goods repaired or replaced if the goods fail to be of acceptable quality and the failure does not amount to a major failure.

To submit a warranty claim please contact the manufacturer's customer service representatives by e-mail at [customer\\_care@tinylandus.com](mailto:customer_care@tinylandus.com). They will provide instructions on replacement procedures, returning of the toy (freight prepaid) and providing proof of purchase.

### WARNING:

 Keep away from fire.

 Contains a button or coin cell battery. Hazardous if swallowed—see instructions.

 This product contains a Button or Coin Cell Battery. A swallowed Button or Coin Cell Battery can cause internal chemical burns in as little as two hours and lead to death. Dispose of used batteries immediately. Keep new and used batteries away from children. If you think batteries might have been swallowed or placed inside any part of the body, seek immediately medical attention.

**EN** Adult assembly required.    **DE** Der Zusammenbau ist durch einen Erwachsenen vorzunehmen

Product includes small parts with potentially hazardous sharp points and sharp edges in the unassembled state.


Keep unassembled parts away from children.


### Change the battery of part 9


- Loosen the screws of the battery box to remove the battery box cover, and press the edge of the battery with your fingertips to remove the battery.
- Press the negative electrode of the battery inward into the battery box, place the battery box cover and tighten the screws.
- The side engraved with letters and "+" is the positive electrode, and the other side is the negative electrode.

- Always purchase the correct size and grade of battery most suitable for the intended use.
- Replace all batteries of a set at the same time.
- Clean the battery contacts and also those of the device prior to battery installation.
- Ensure batteries are installed correctly with regard to polarity (+ and -)
- Remove from equipment that is not to be used for an extended period of time.
- Remove used batteries promptly.



 The product and packaging materials are recyclable, dispose of it separately for better waste treatment. The Triman logo is valid in France only.

 Contact your local refuse disposal authority for more details of how to dispose of your worn-out product.

 To help protect the environment, please dispose of the product properly when it has reached the end of its useful life and not in the household waste. Information on collection points and their opening hours can be obtained from your local authority.

Faulty or used batteries/rechargeable batteries must be recycled in accordance with Directive 2006/66/EC and its amendments. Please return the batteries/rechargeable batteries and/or the product to the available collection points.

 **Environmental damage through incorrect disposal of the batteries/rechargeable batteries!**

Batteries/rechargeable batteries may not be disposed of with the usual domestic waste. They may contain toxic heavy metals and are subject to hazardous waste treatment rules and regulations. The chemical symbols for heavy metals are as follows: Cd=cadmium, Hg=mercury, Pb= lead. That is why you should dispose of used batteries/rechargeable batteries at a local collection point.

## USE AND MAINTENANCE:

-Use on level surfaces only.

-Please check assembly at regular intervals, and frequently tighten hardware if necessary.

If maintenance is not carried out, the product could cease to function properly.

Parental supervision required. This item is intended for children of a specific age or above. Parents should supervise the play area so that children younger than the intended age range do not interact with this item.

Use this item on the floor.

Do not allow children to climb on or around or in the item.

Wash all food/drink playthings thoroughly before use.

Not dishwasher, oven or microwave safe.

Bonus Accessories:

