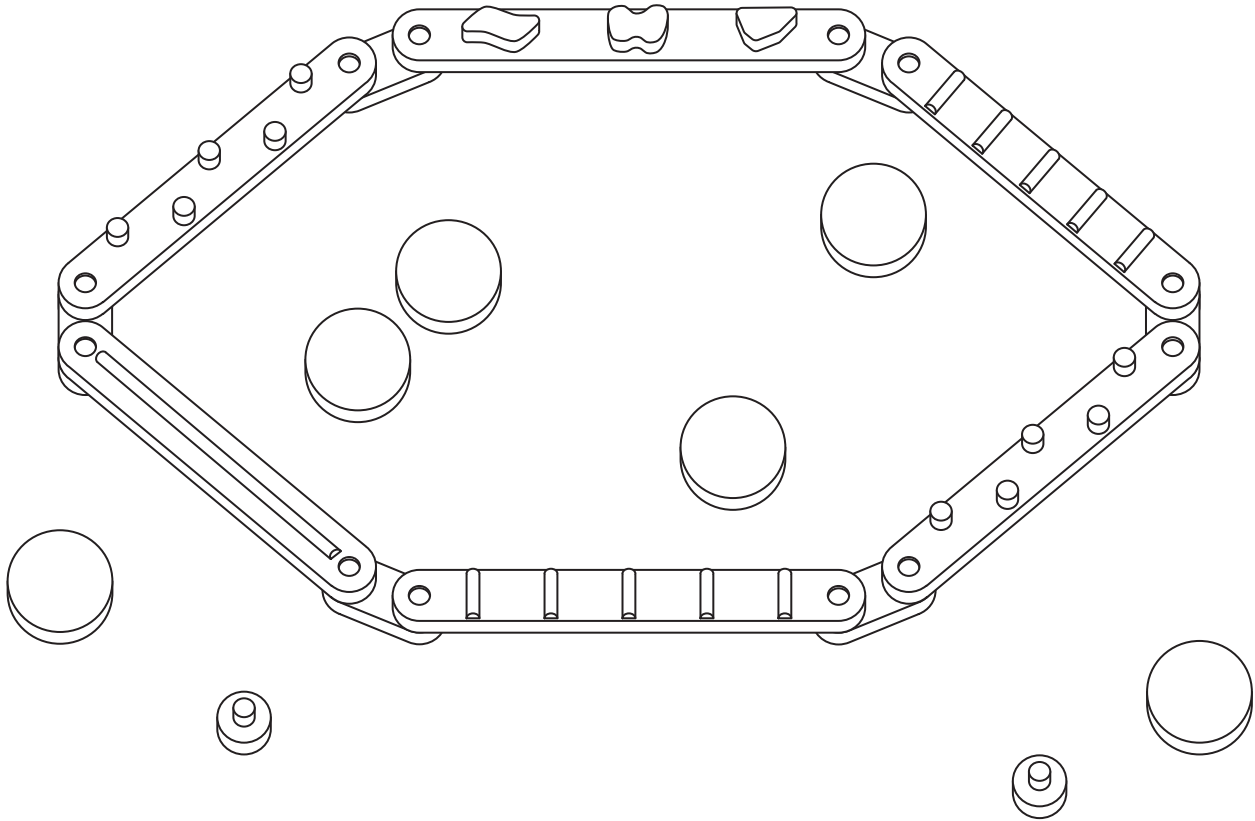


1 YEARS +



TINY LAND



BALANCE BEAM

ASSEMBLY INSTRUCTIONS



WARNING :

NEVER leave the child unattended.
Stay near and watch child during use.

FALL HAZARD:

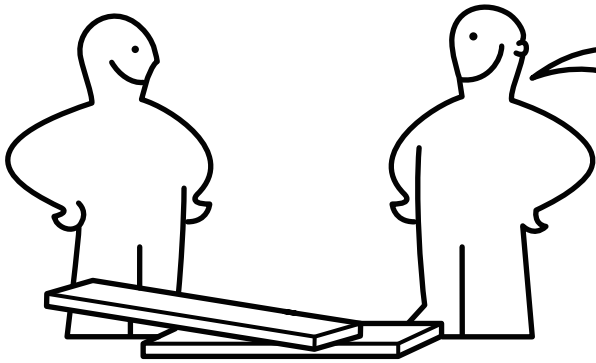
This product must be used under adult supervision at all times. Falls can happen suddenly if child is not restrained properly.

- This product is suitable for children 12 months +. Do not use the product until your child can stand unaided.
- Use this product only on flat surfaces. Do not use socks or slippery shoes while using this product.
- Before giving the item to the children, remove and dispose of all packaging materials that are not part of the item and keep these out of reach of children.
- Check the product regularly for signs of wear and tear.
- Do not use the product if any part is broken, damaged, or missing.

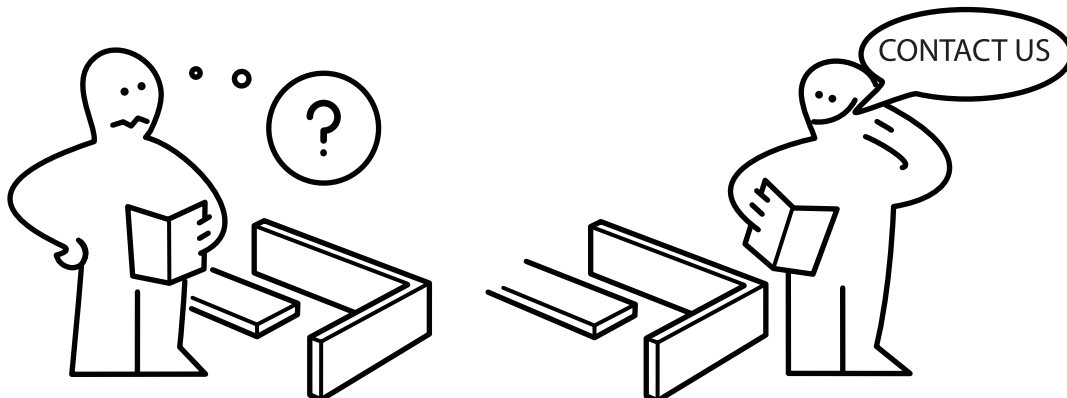
THANK YOU!

Thank you for choosing the Tiny Land Balance Beam! It's a great way to help develop your child's balance and intelligence, and stimulate physical development for years to come.

IMPORTANT INFORMATION-PLEASE READ FIRST.



- Weight limit: up to 80kg.
- Keep this product away from heat sources or near wet surroundings.



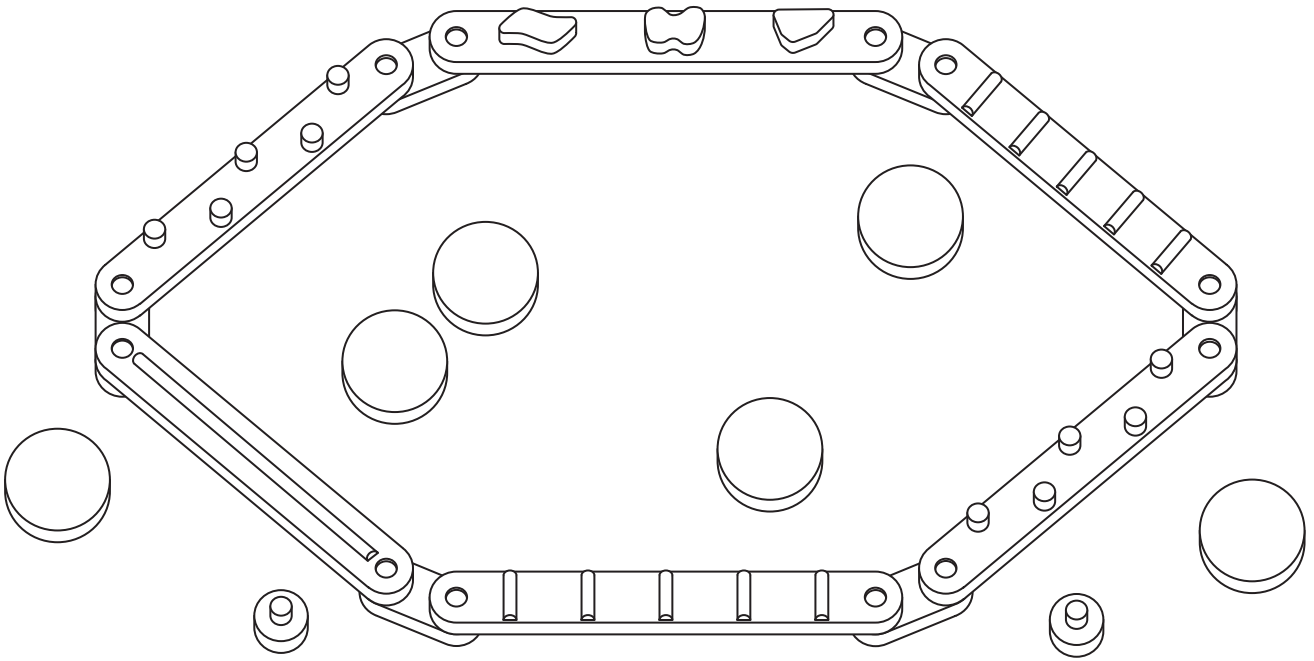
Without your product review, we don't exist.

We hope you are satisfied with your purchase and we would love to hear about it. Your product review helps us continue providing the best quality product for all valued customers.

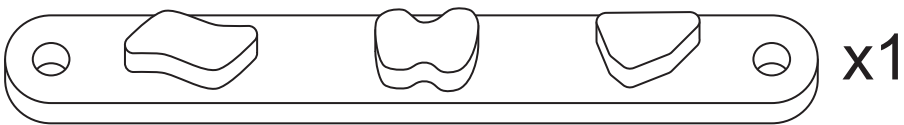
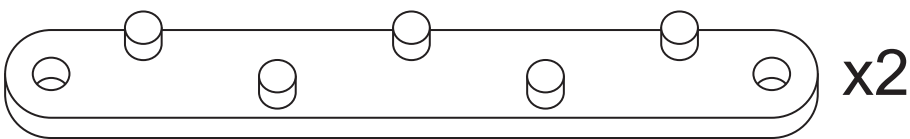
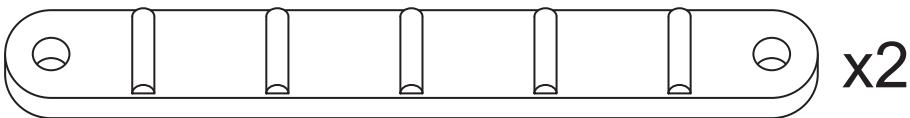
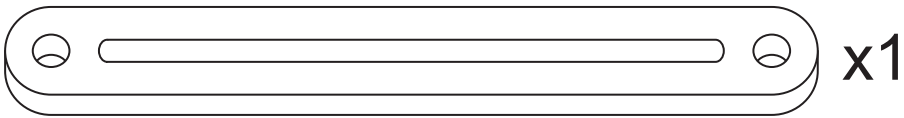
If you feel hard to assemble the toy or there is any other problem that makes you feel unhappy with the product, please contact us customer_care@tinylandus.com. We are glad to do our best to solve your problem and provide a solution to your satisfaction.

We appreciate your purchase and look forward to hearing from you.

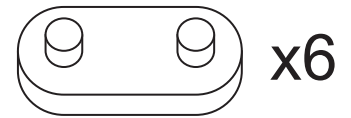
CONTENTS



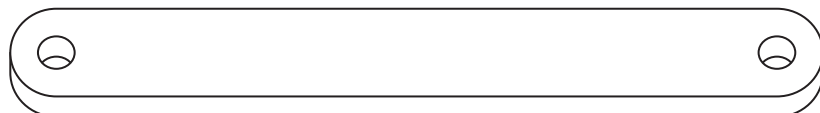
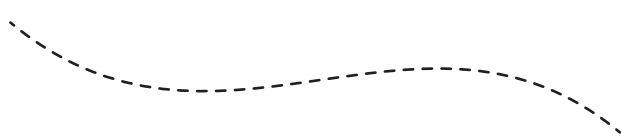
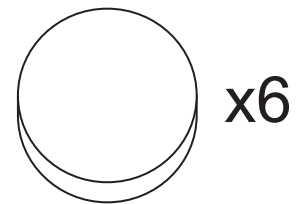
A



B

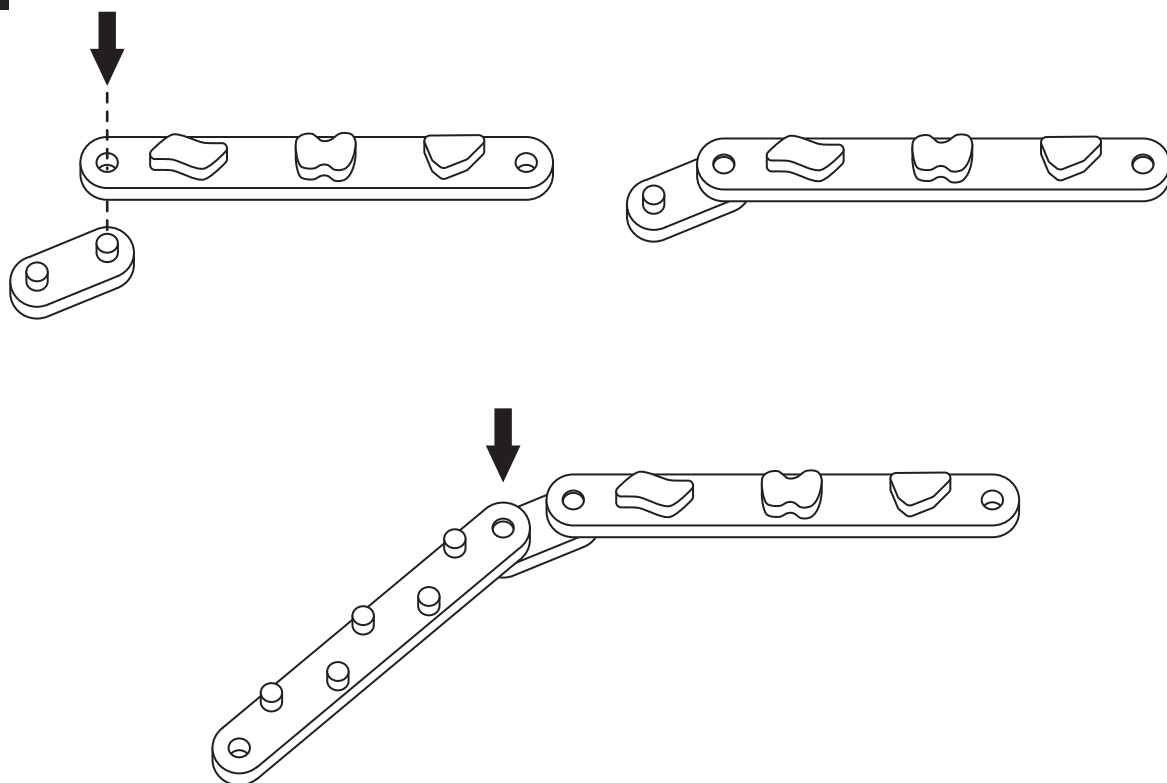


C



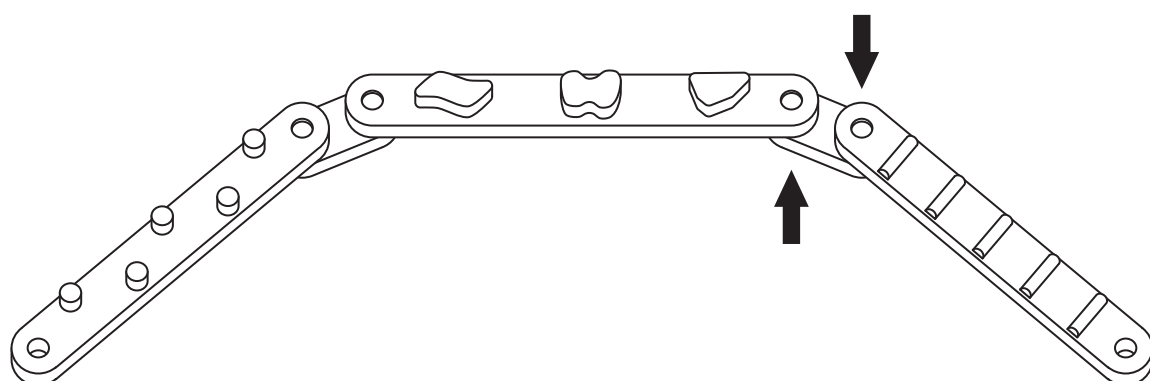
The reverse side is a flat surface.

01



Connect 2 beams A with 1 connector B by pressing the wooden peg on the connector until the beams are firmly secured.

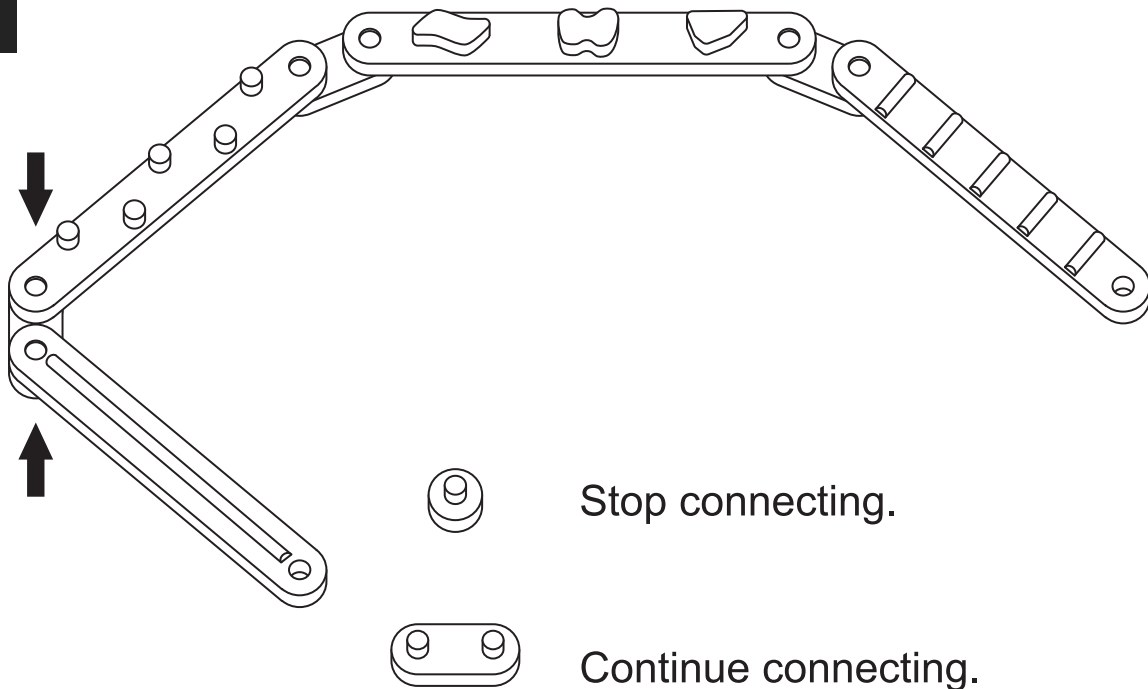
02



Continue connecting the beams by placing the connector B on both sides of beam A.

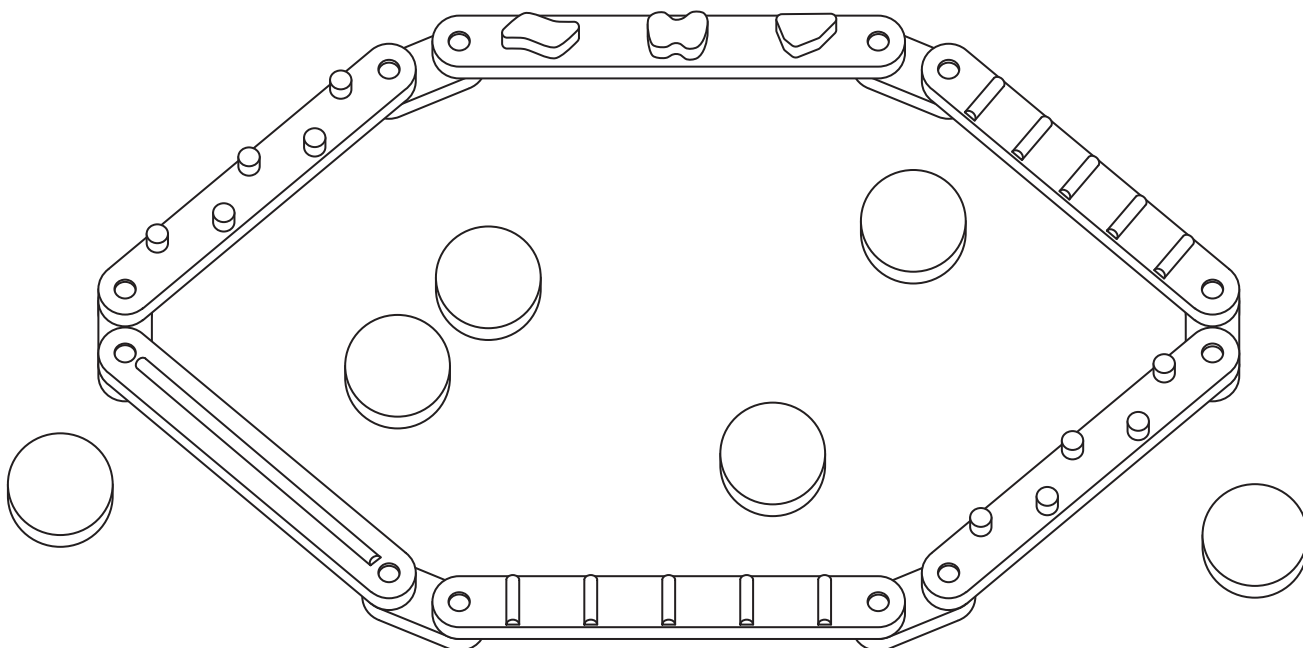
04

03



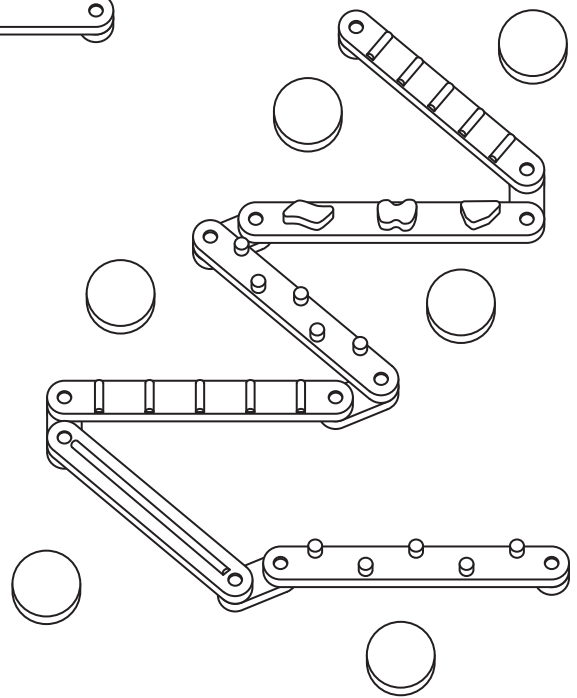
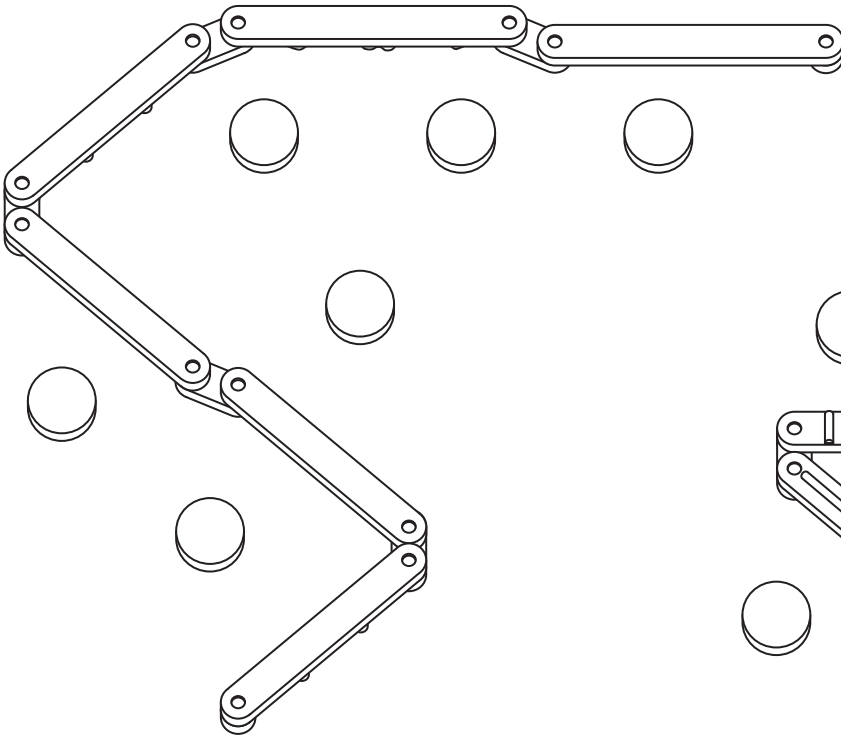
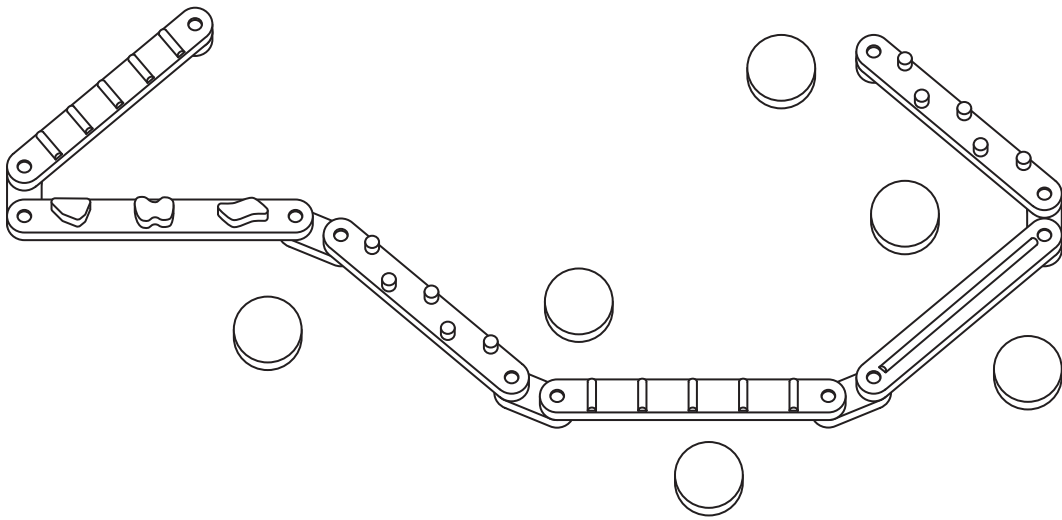
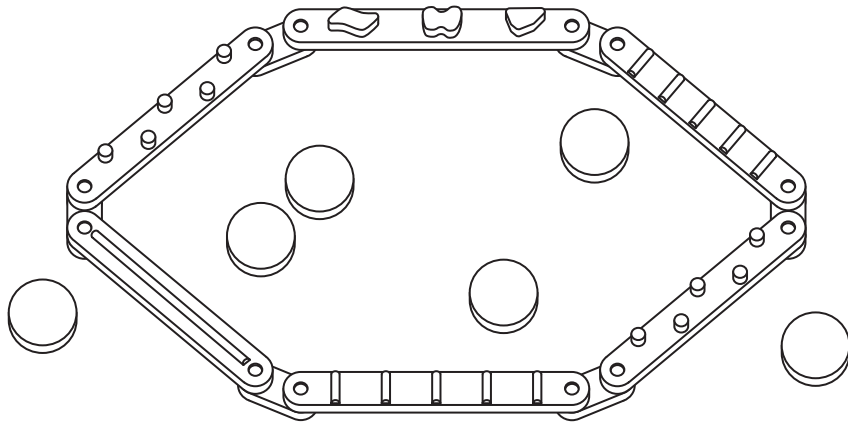
Choose the right connector to complete your idea.

04



Build it into the shape of hexagon. Place 6 round pads randomly.

05



Create different shapes such as zig-zag, square, diamond and more!

PARENTAL SUPERVISION REQUIRED

- This toy is intended for children of a specific age or above.
- Parents should supervise the play area so that children younger than the intended age range do not interact with this toy.
- Use this toy on the floor.

CLEANING INSTRUCTIONS

- Clean the surface using a dry cloth or a slightly damp cloth if necessary.
- Don't use any cleaning product containing alcohol or ammonia, which may dull the surface of the product.

SOLE AND LIMITED WARRANTY

- This toy is warranted solely against manufacturing defects for a period of 1 year from the date of purchase, which runs only to the original user of the toy. Event of a manufacturing defect, parts will be replaced or the entire product will be replaced or the purchase price will be refunded, at the election of the manufacturer.
- To activate and protect this warranty, preserve evidence of original purchase and carefully inspect the condition of the toy prior to and after assembly, looking for missing, degraded, broken or hazardous parts, including parts which can be swallowed by a child, cause a child to choke, or otherwise cause injury.
- When you observe any defects, don't use the toys and contact us immediately. Misuse, improper assembly, failure to honor a warning, failure to supervise, inspect or maintain the toy, or damage to the toy, whether intentional or inadvertent, shall invalidate this warranty.

PLEASE FEEL FREE TO CONTACT US IF YOU HAVE ANY QUESTIONS. WE ARE ALWAYS HERE TO HELP YOU BUILD YOUR PLAY KITCHEN.

 @tinylandus

 @tinylandtoy

 www.tinylandus.com

 customer_care@tinylandus.com

